

[54] PUSH BAR FOR DOORS OR THE LIKE

2,078,478 4/1937 Allen ..... 16/DIG. 5

[76] Inventor: Farrell DeWindt, 13312 Terry Dr.,  
Utica, Mich. 48087

OTHER PUBLICATIONS

J. C. DeJong Cat. 704, p. A-10, pattern on doorhandle  
926.

[\*\*] Term: 14 Years

Primary Examiner—Wallace R. Burke

Assistant Examiner—B. J. Bullock

Attorney, Agent, or Firm—Robert G. Mentag

[21] Appl. No.: 823,209

[22] Filed: Aug. 10, 1977

[57] CLAIM

[51] Int. Cl. .... D8-06

[52] U.S. Cl. .... D8/300; D8/317

[58] Field of Search ..... D8/300-302,  
D8/305-307, 310-322, 350-353, 367; 16/110  
R, 121, 124-127, 1, DIG. 5

The ornamental design for a push bar for doors or the  
like, substantially as shown and described.

DESCRIPTION

FIG. 1 is a front elevation of a push bar for doors or the  
like showing my new design;

FIG. 2 is a bottom view thereof;

FIG. 3 is a rear elevational view thereof;

FIG. 4 is a side elevational view taken from the left of

FIG. 1, the side opposite being identical; and,

FIG. 5 is a sectional view taken on line 5-5 of FIG. 1.

[56] References Cited

U.S. PATENT DOCUMENTS

D. 55,595	7/1920	Cutler .....	D8/313
D. 95,717	5/1935	Vernon .....	D8/318
D. 118,619	1/1940	Erikson .....	D8/316

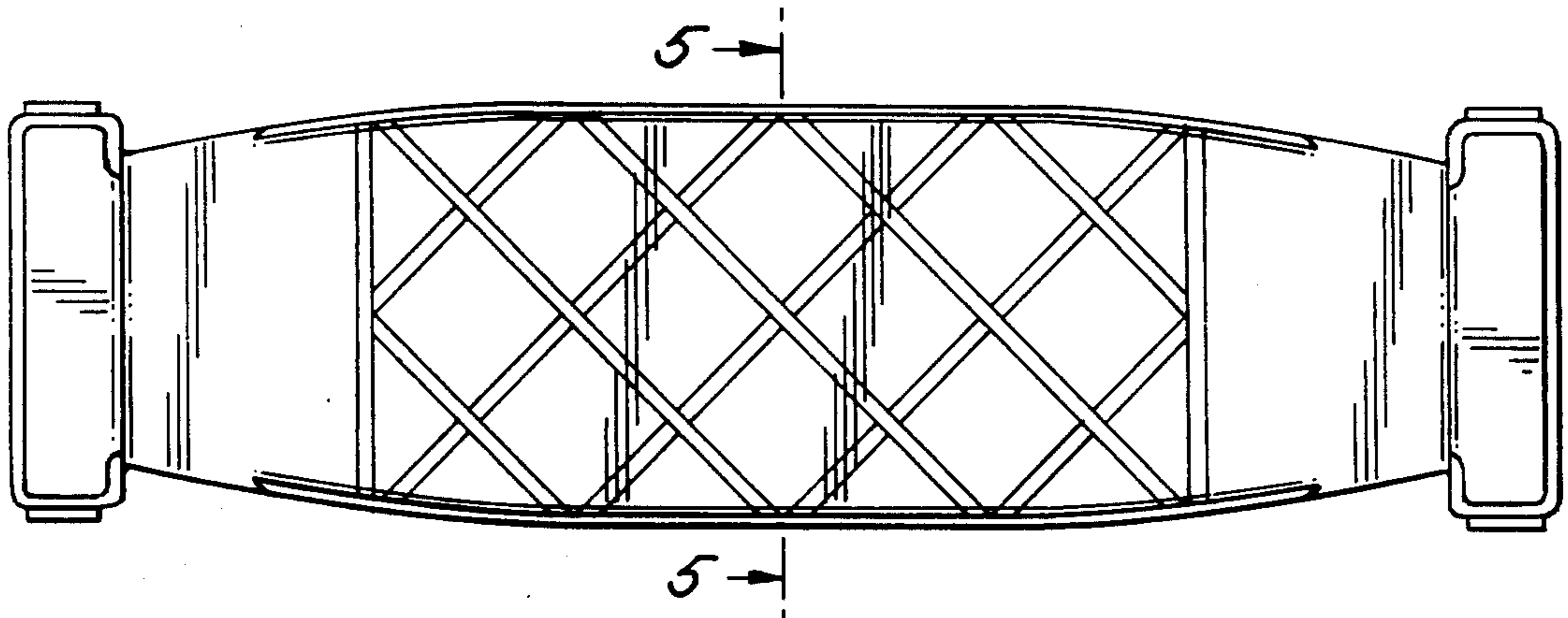


FIG. 1

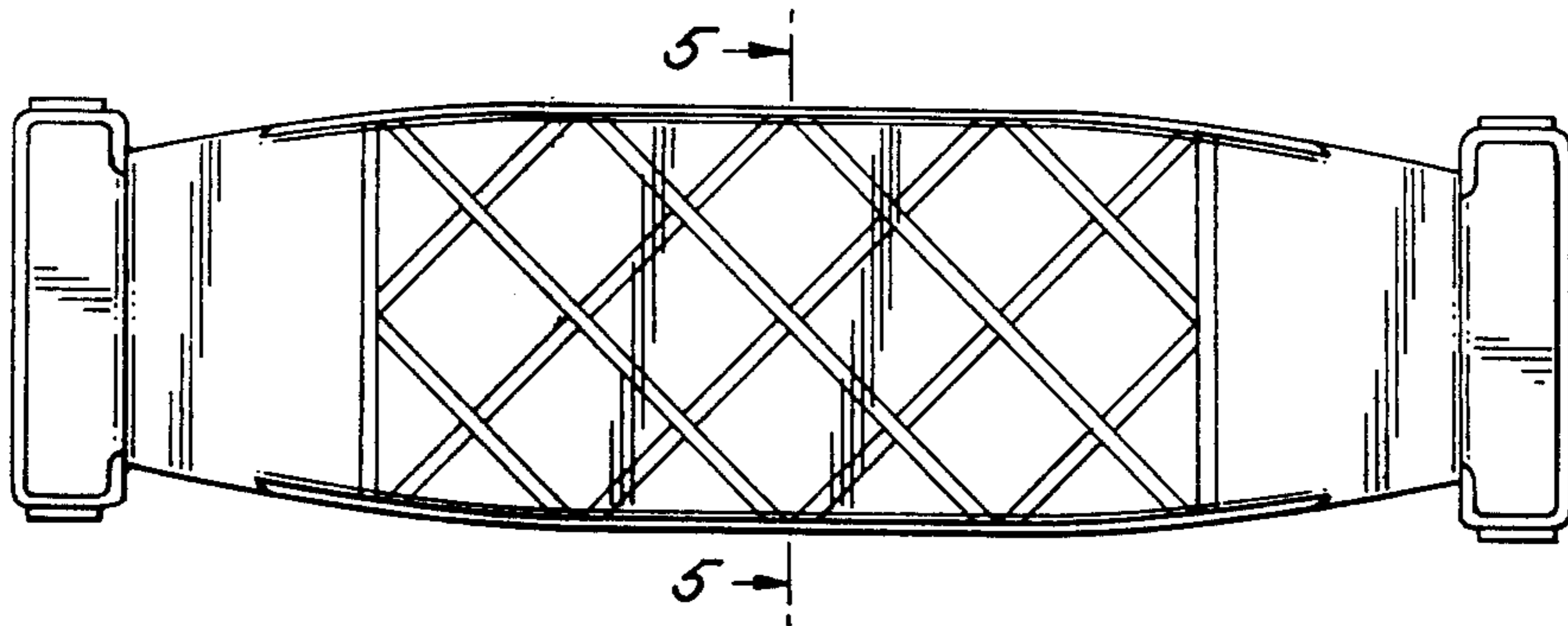


FIG. 2

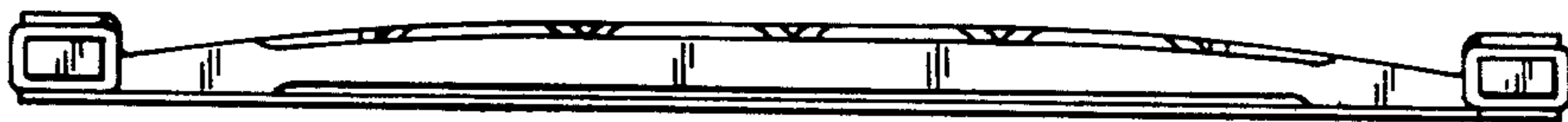


FIG. 3

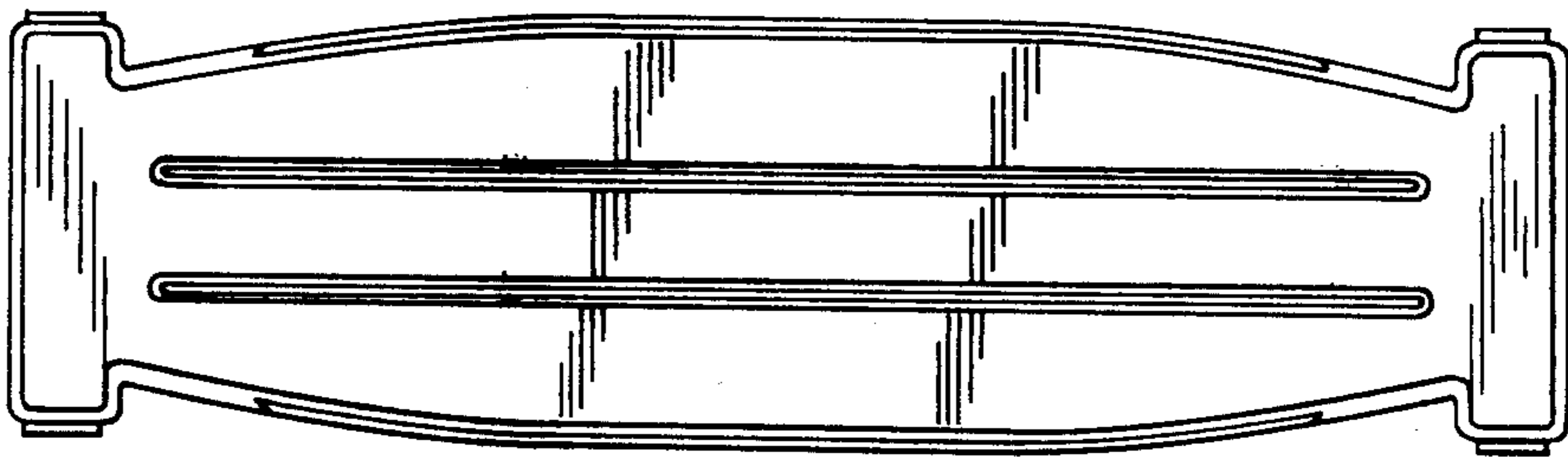


FIG. 4



FIG. 5

