

[54] PIZZA CRUST PERFORATOR  
[76] Inventor: Joseph M. Zuber, 604 Pleasant,  
Durango, Colo. 81301

[\*\*] Term: 14 Years

[21] Appl. No.: 783,437

[22] Filed: Mar. 31, 1977

[51] Int. Cl. .... D7-04

[52] U.S. Cl. .... D7/106; D24/36

[58] Field of Search ..... D7/132, 99, 106, 41,  
D7/151X, 43; D64/18; 30/306, 307, 319, D24/36

[56] References Cited

U.S. PATENT DOCUMENTS

D. 36,788 2/1904 Alves ..... D64/18 X  
D. 186,044 9/1959 Hauser ..... D7/106

2,733,509 2/1956 Ikse ..... D7/132 X  
3,138,823 6/1964 Langner ..... 99/485 X

FOREIGN PATENT DOCUMENTS

1607333 2/1970 Fed. Rep. of Germany ..... 99/485

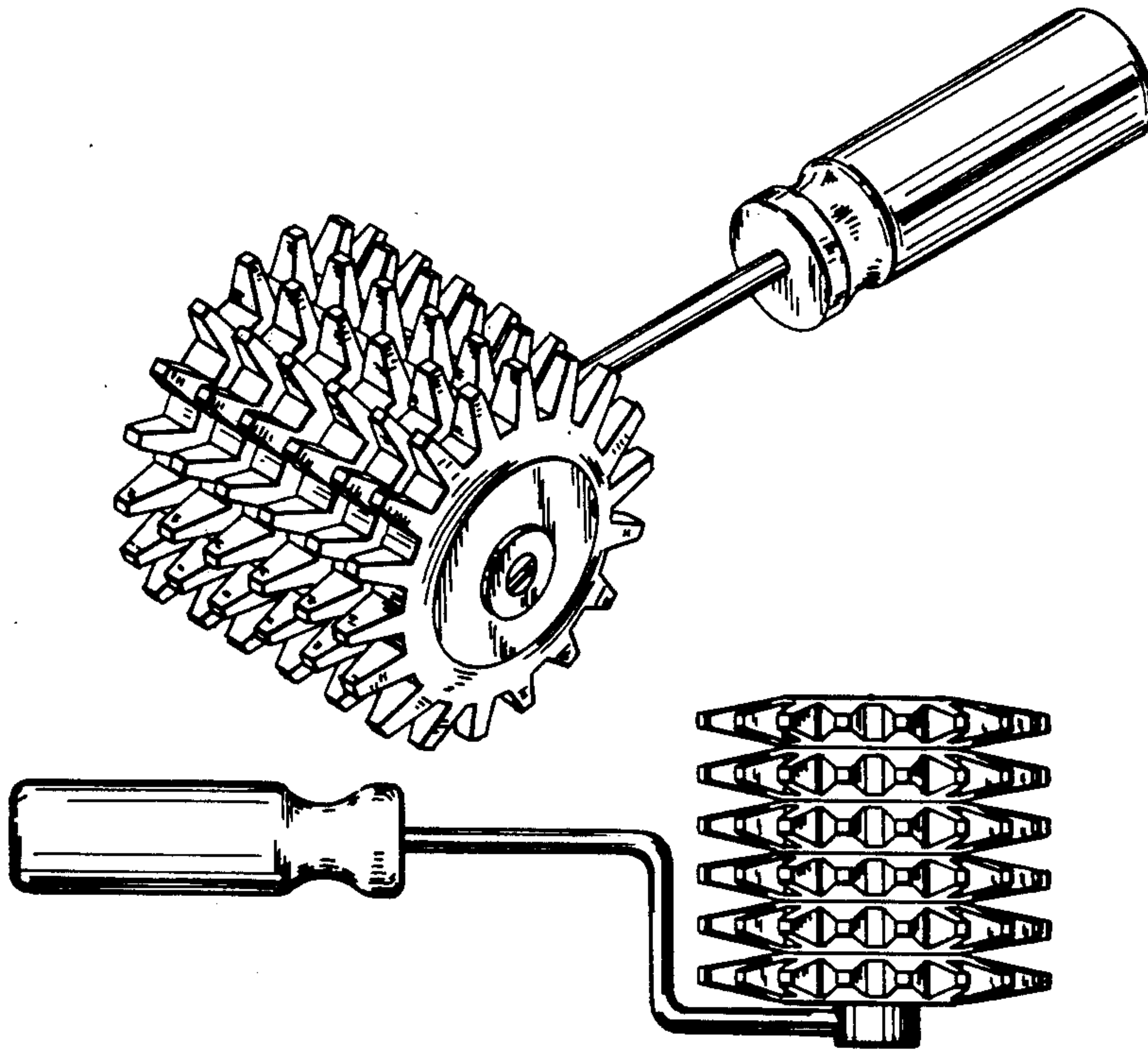
Primary Examiner—Winifred E. Herrmann  
Attorney, Agent, or Firm—Edwin L. Spangler, Jr.

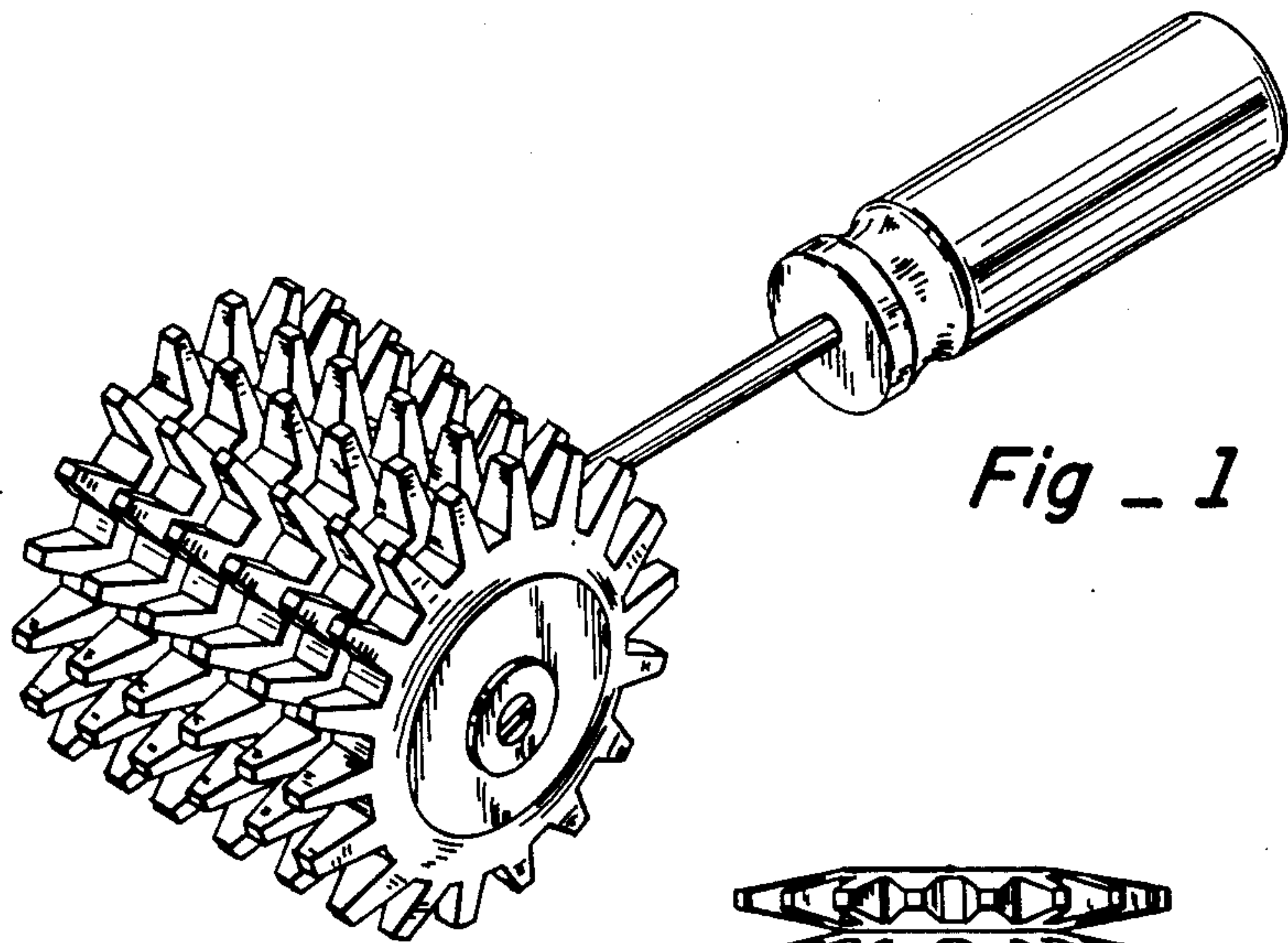
[57] CLAIM

The ornamental design for a pizza crust perforator, as shown.

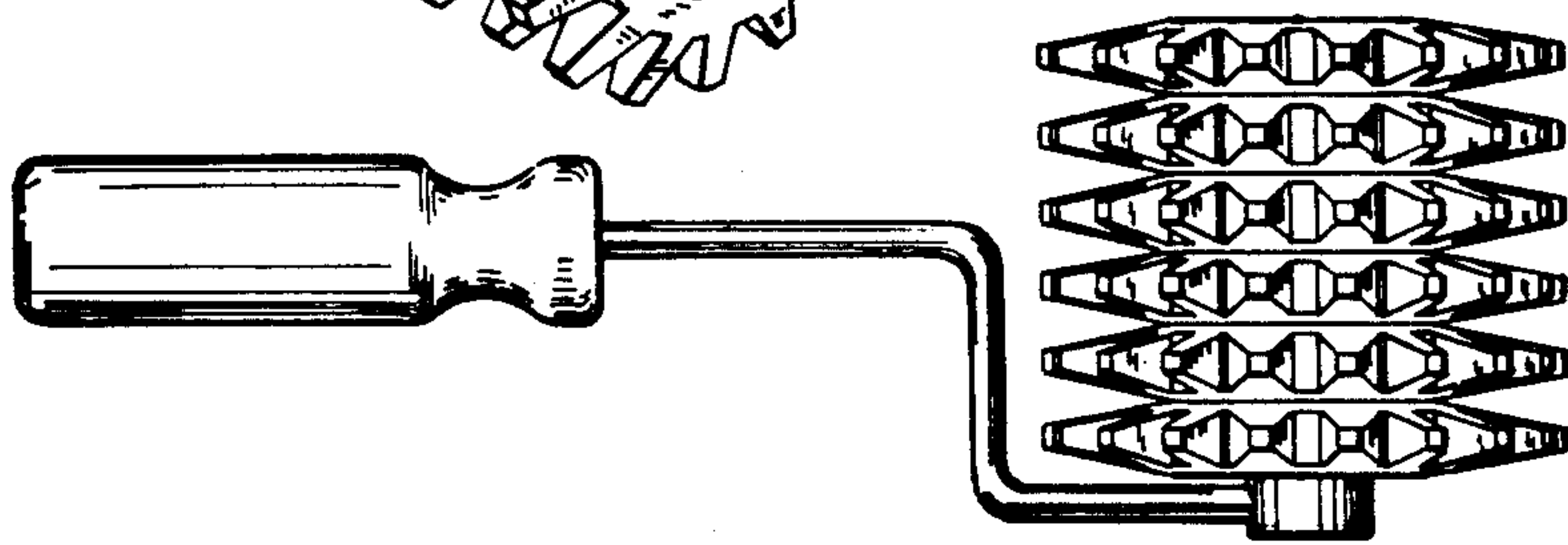
DESCRIPTION

FIG. 1 is a perspective view of the pizza crust perforator showing my new design;  
FIG. 2 is a top plan view thereof;  
FIG. 3 is a right side elevation thereof; and,  
FIG. 4 is a rear elevation thereof.

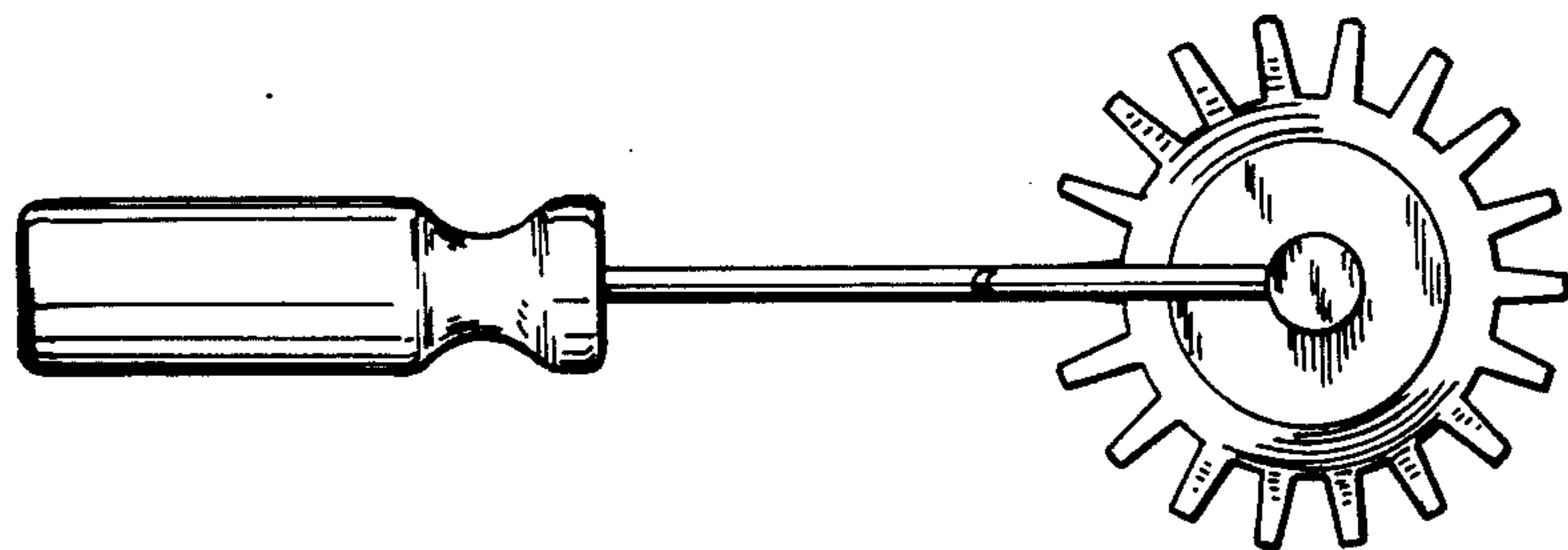




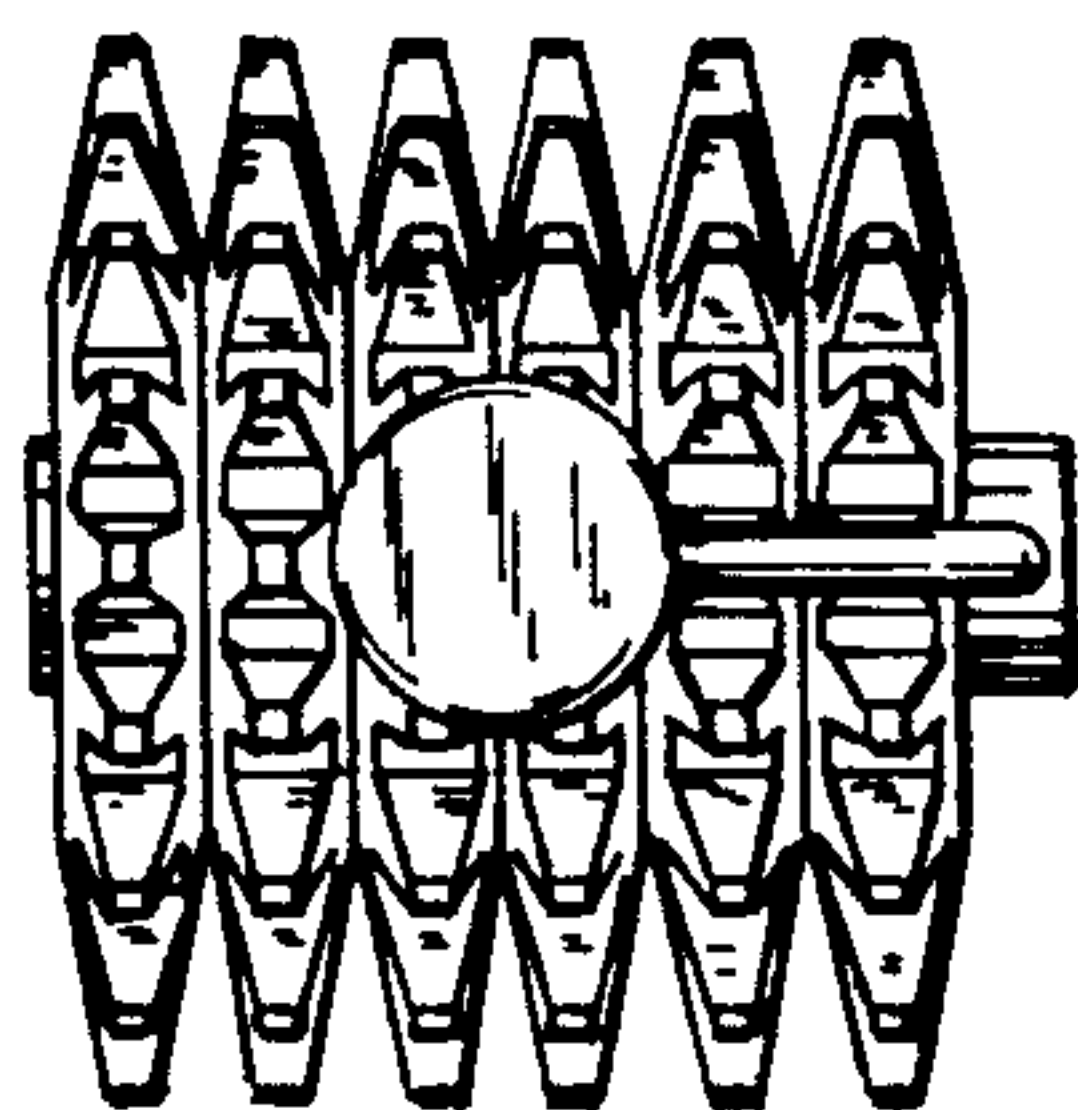
*Fig - 1*



*Fig - 2*



*Fig - 3*



*Fig - 4*