

- [54] **FOOD CONTAINER AND LID**
- [75] Inventor: **Richard S. Cherry, Don Mills, Canada**
- [73] Assignee: **Phillips Plastics of North America, Inc., Toronto, Canada**
- [**] Term: **14 Years**
- [21] Appl. No.: **770,396**
- [22] Filed: **Feb. 22, 1977**
- [30] **Foreign Application Priority Data**
 Oct. 22, 1976 [CA] Canada 1910766
 Oct. 25, 1976 [CA] Canada 2510761
- [51] Int. Cl. **D7-01**
- [52] U.S. Cl. **D7/76; D7/77; D9/240; D9/219**
- [58] Field of Search **D9/242-244, D9/245, 219, 240, 254, 267; 206/506, 507, 508, 509, 501, 503; D87/1 R; D7/16, 76, 77**
- [56] **References Cited**
- U.S. PATENT DOCUMENTS**
- D. 239,695 4/1976 Fier, Jr. D9/219
 D. 241,721 10/1976 Hourahine D9/240 X

| | | | |
|------------|--------|------------------|-----------|
| D. 246,872 | 1/1978 | White | D87/1 R |
| 3,383,009 | 5/1968 | Weikert | 206/506 |
| 3,734,341 | 5/1973 | Levenhagen | 206/507 |
| 4,018,338 | 4/1977 | Lemkin | 206/508 X |
| 4,042,111 | 8/1977 | Smith | 206/508 |

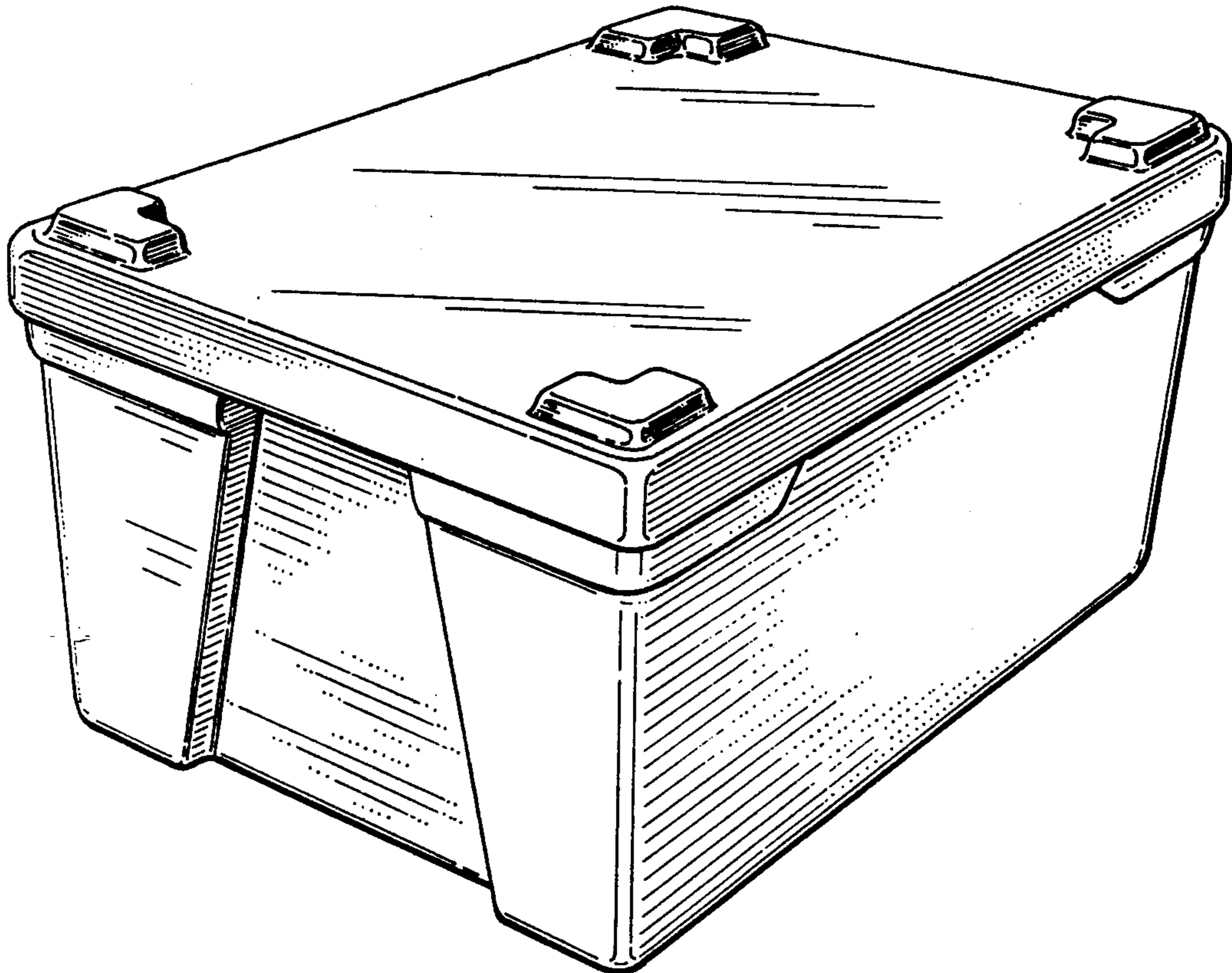
Primary Examiner—Robert C. Spangler
 Attorney, Agent, or Firm—Robert I. Westell

[57] **CLAIM**

The ornamental design for a food container and lid, as shown and described.

DESCRIPTION

FIG. 1 is a top perspective view of a food container and lid showing my new design;
 FIG. 2 is a top perspective view of the container;
 FIG. 3 is a bottom perspective view of the container;
 FIG. 4 is an elevational view of that side of the container not shown in FIG. 1;
 FIG. 5 is an elevational view of that end of the container not shown in FIG. 1;
 FIG. 6 is a top perspective view of the lid;
 FIG. 7 is a bottom perspective view thereof;
 FIG. 8 is an elevational view of that side of the lid not shown in FIG. 6; and
 FIG. 9 is an elevational view of that side of the lid not shown in FIG. 6.



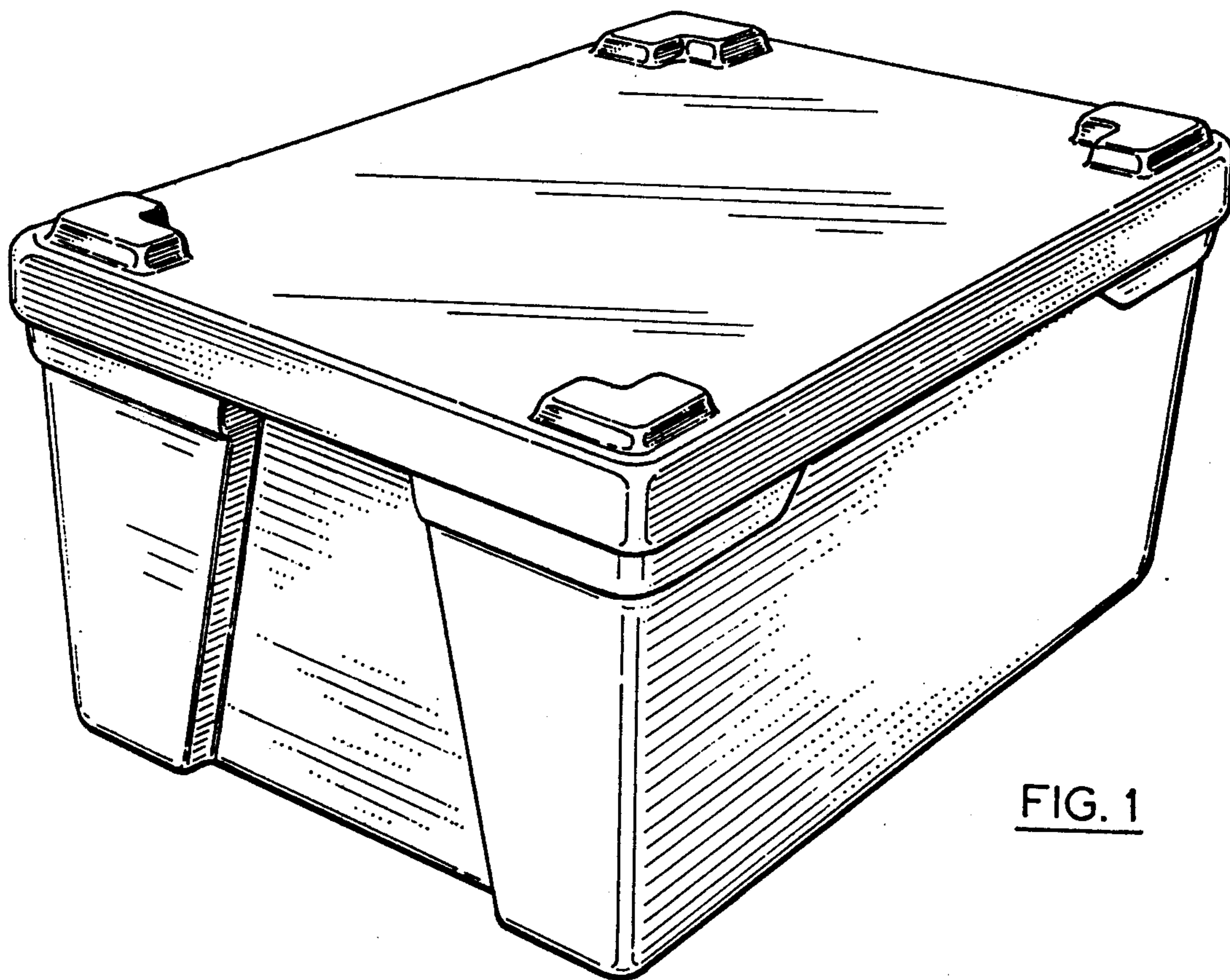


FIG. 1

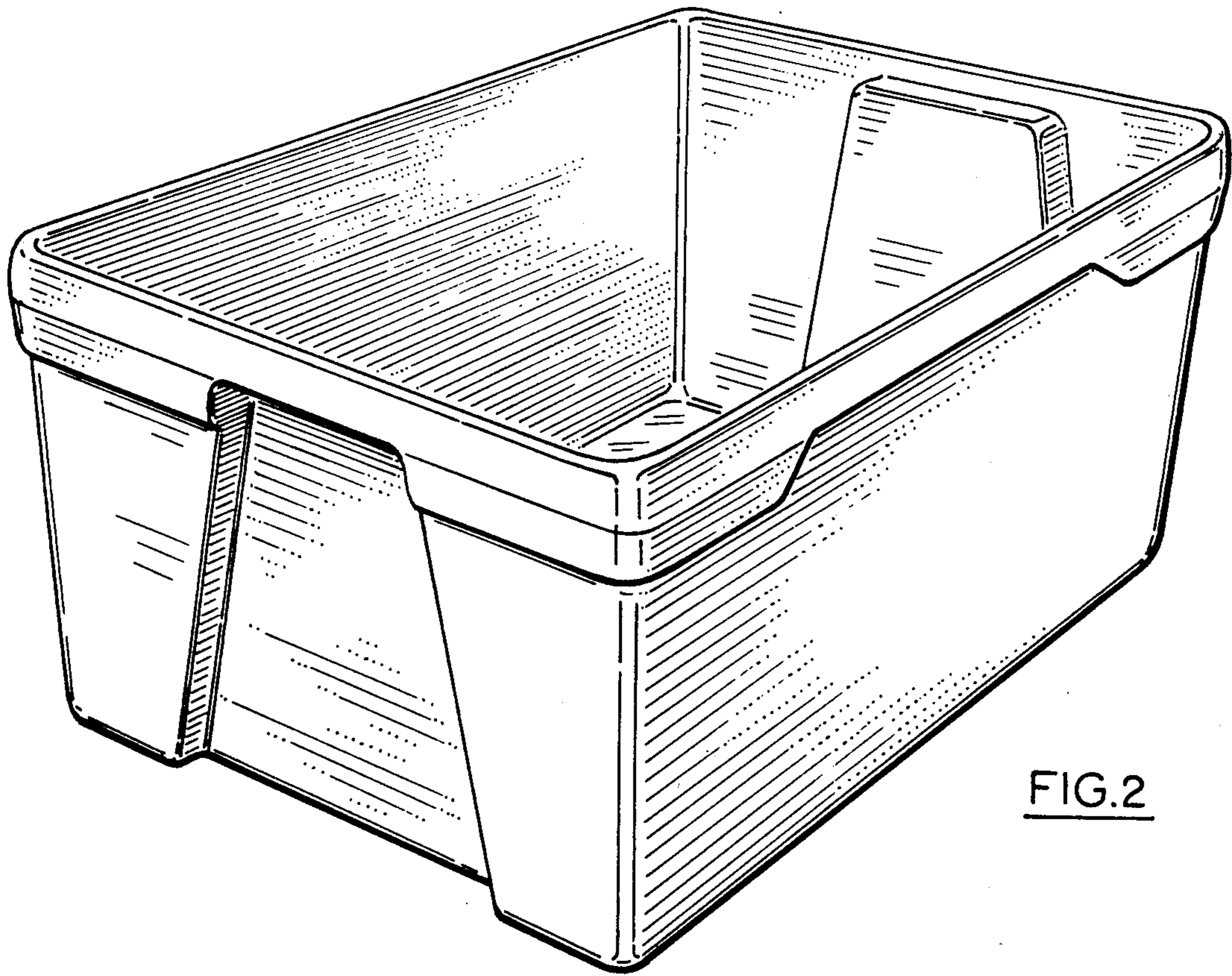


FIG. 2

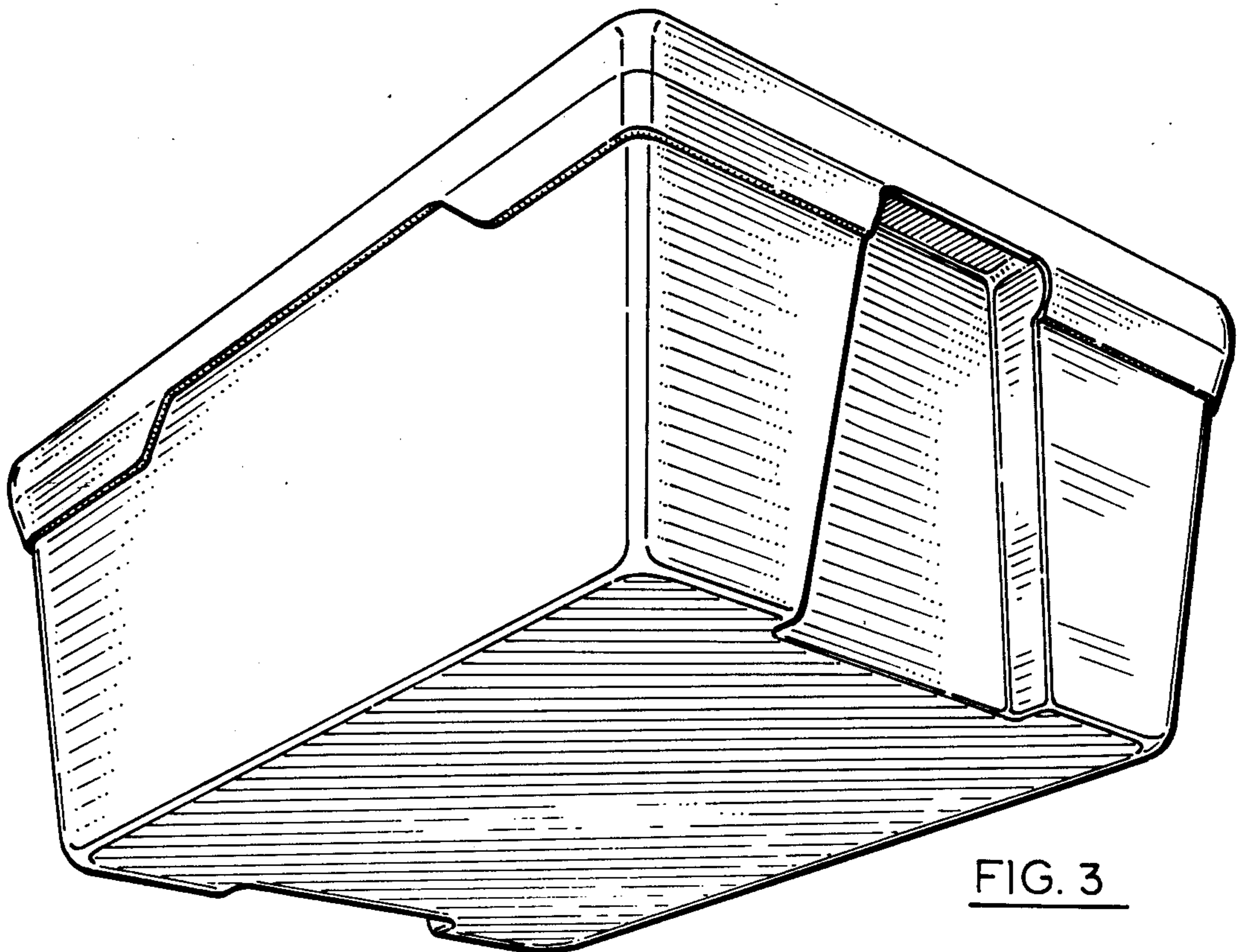


FIG. 3

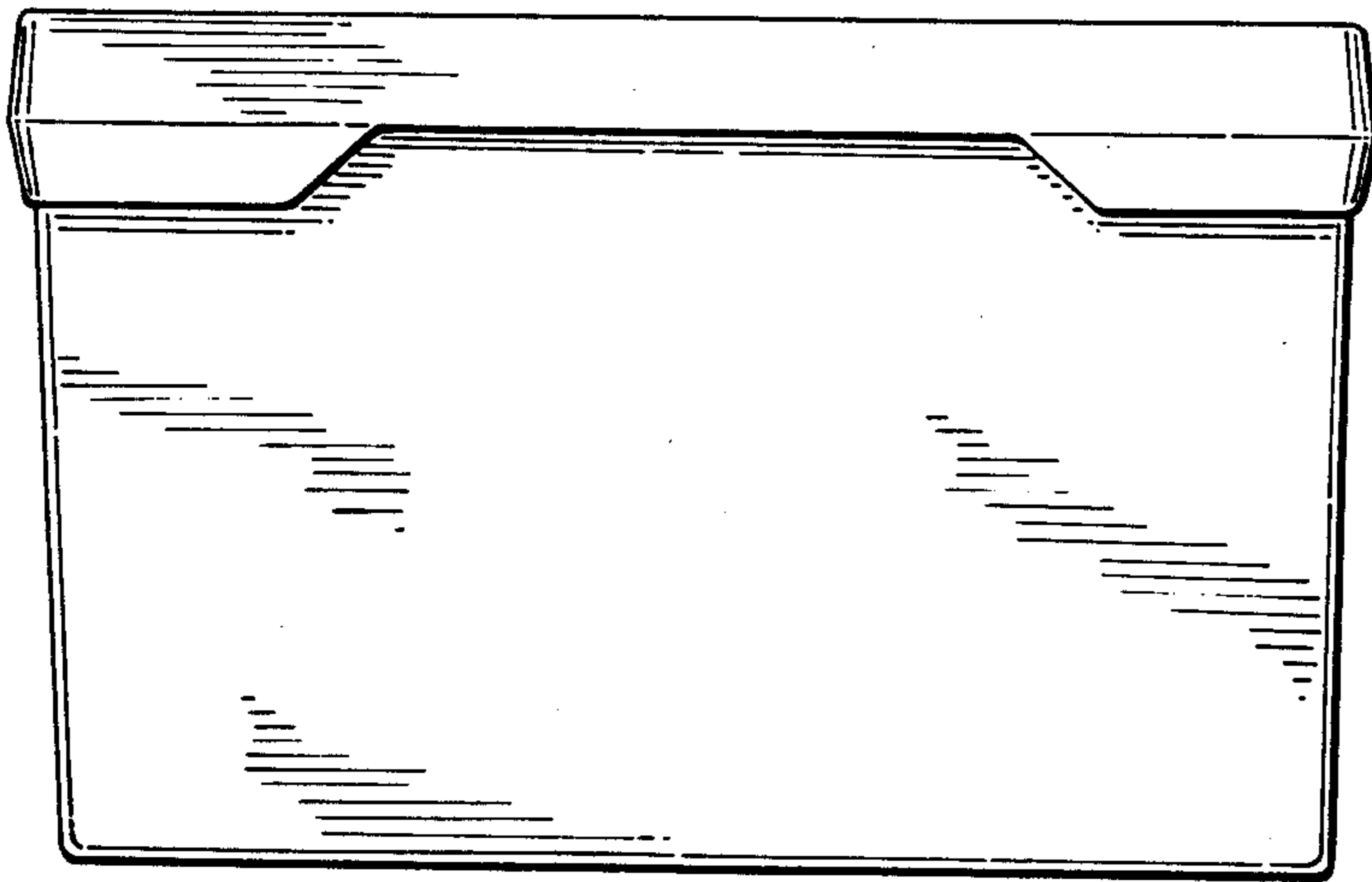


FIG. 4

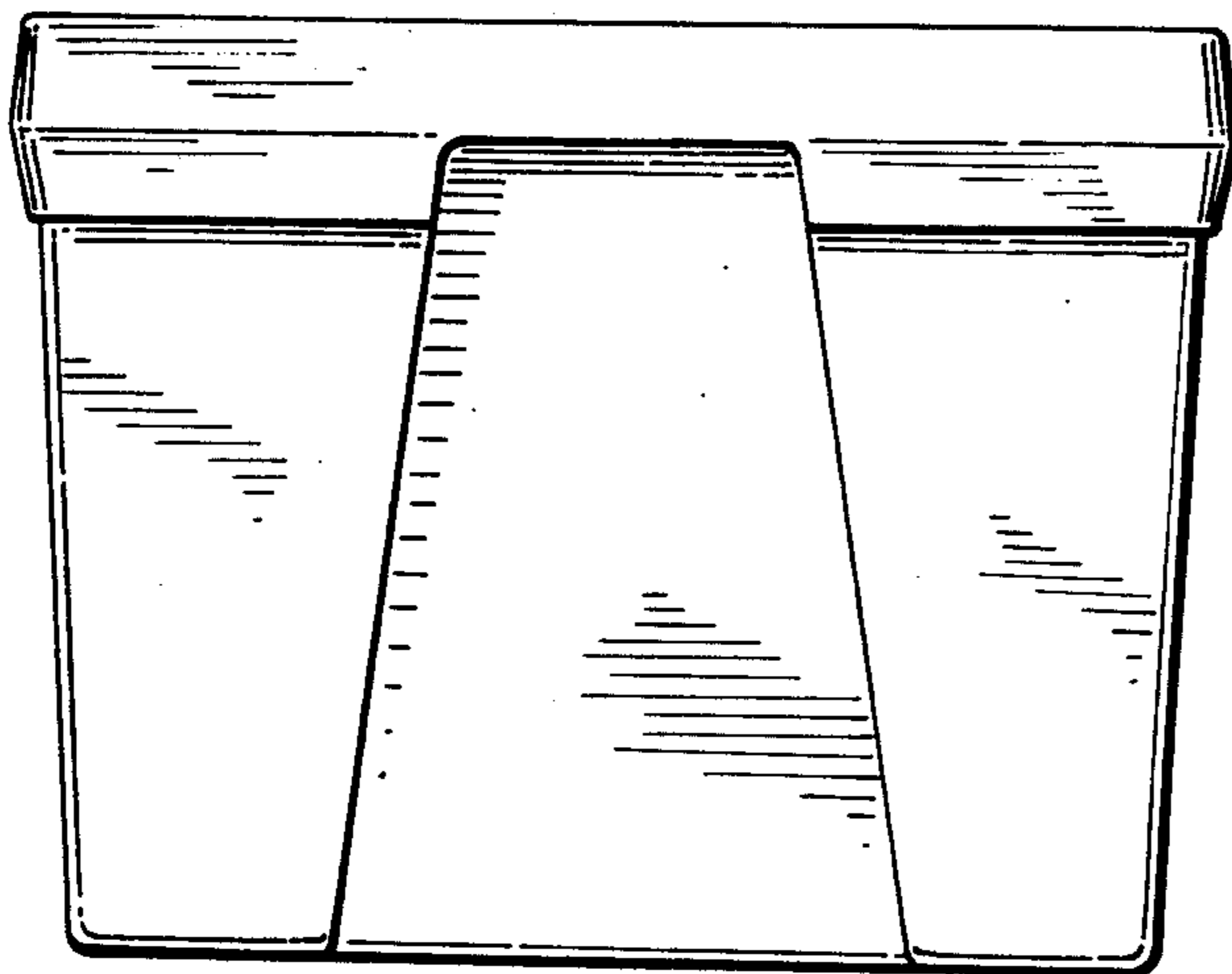


FIG. 5

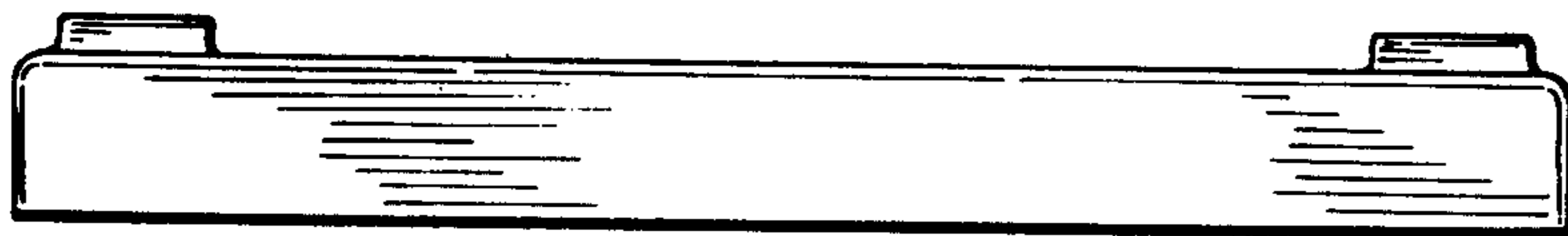


FIG. 8

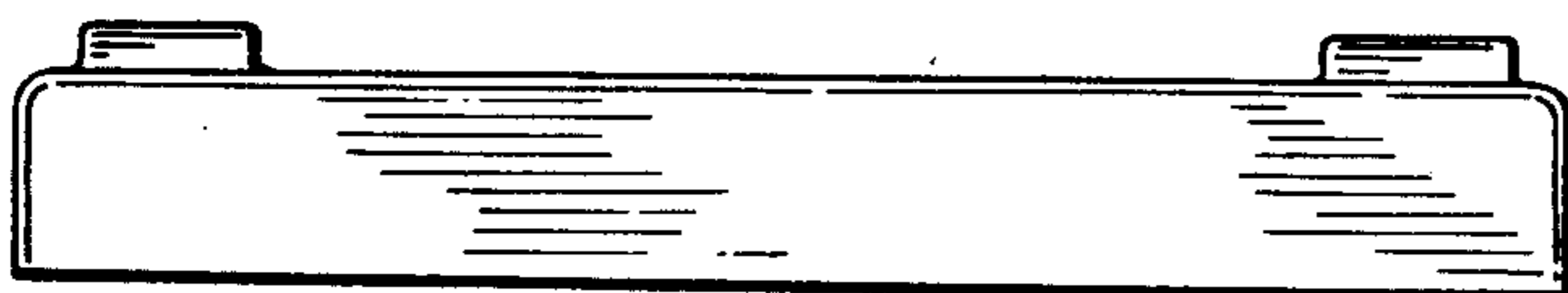


FIG. 9

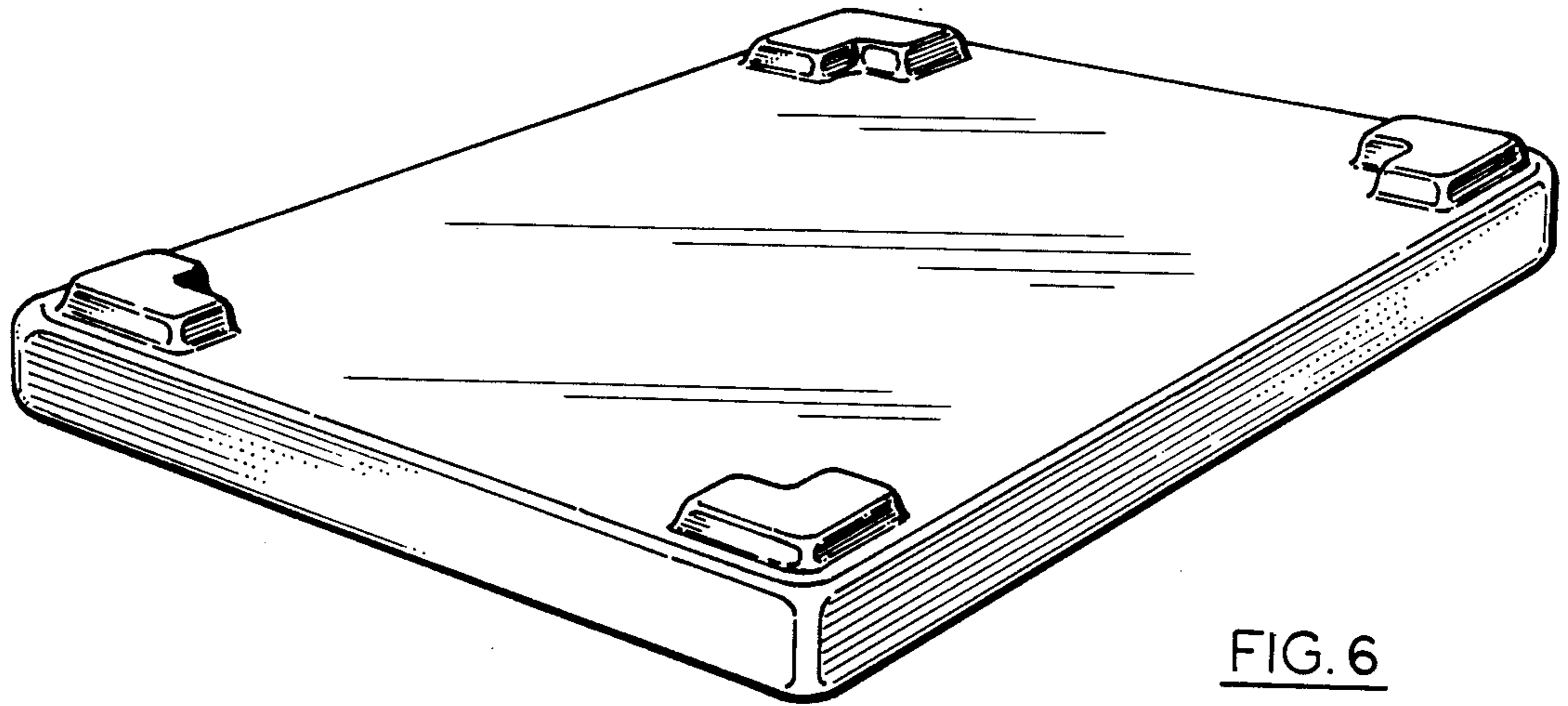


FIG. 6

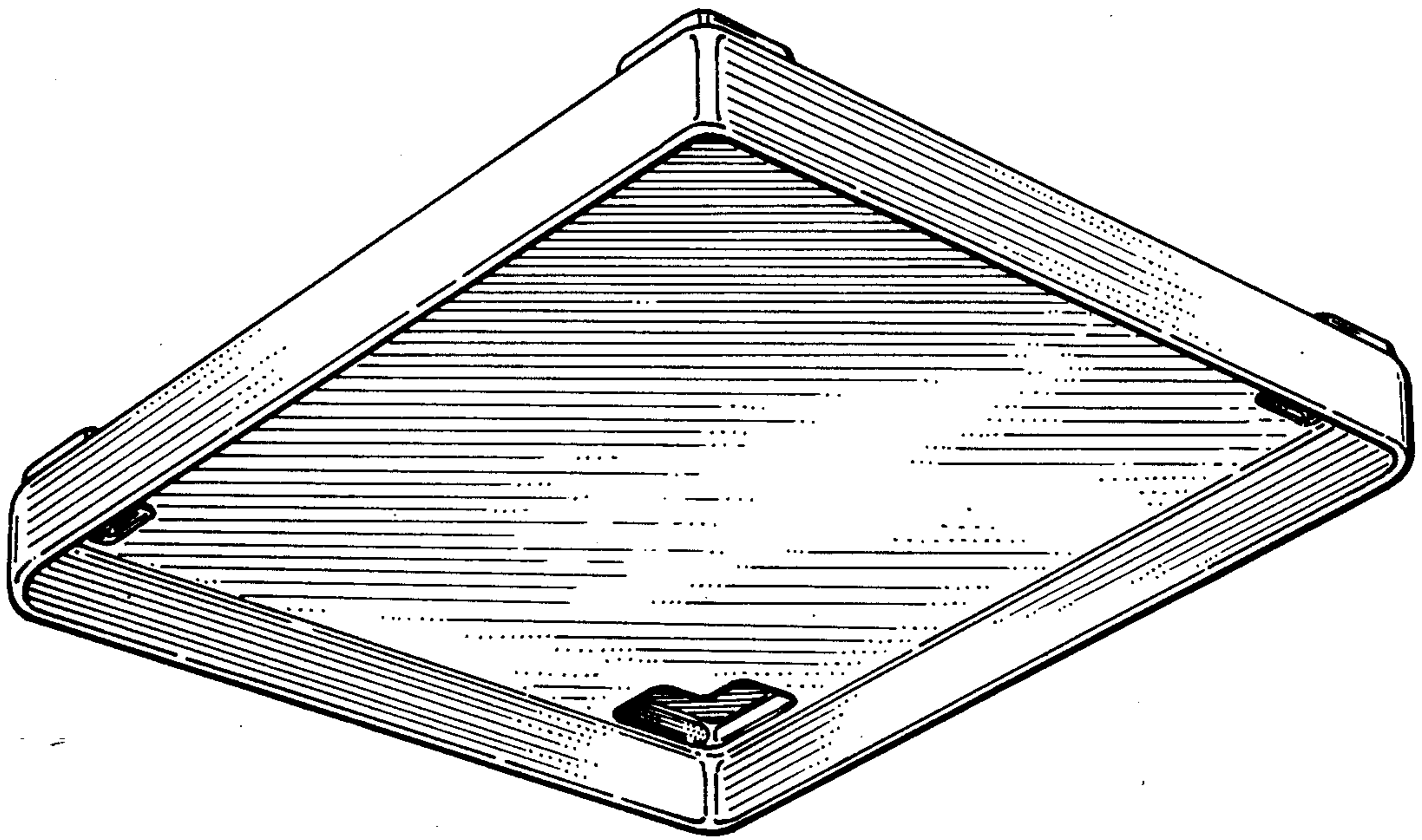


FIG. 7