

[54] FOOD STORAGE CONTAINER

[75] Inventor: Hubert E. Christian, Phoenix, Ariz.

[73] Assignee: Dart Industries Inc., Los Angeles, Calif.

[**] Term: 14 Years

[21] Appl. No.: 753,972

[22] Filed: Dec. 23, 1976

[51] Int. Cl. D7-01

[52] U.S. Cl. D7/76; D7/17

[58] Field of Search D7/16, 17, 76, 83, 22, D7/23; D9/216, 237, 239; 220/306, 352, 353, 354

[56] References Cited

U.S. PATENT DOCUMENTS

D. 162,081 2/1951 Precourt D7/76

D. 191,124	8/1961	Barron et al.	D7/17
D. 216,271	12/1969	Swett et al.	D7/83
D. 220,967	6/1971	Schneider	D7/17
2,379,680	7/1945	Burdick	D9/216 X
3,861,433	1/1975	Schier	D7/76 X

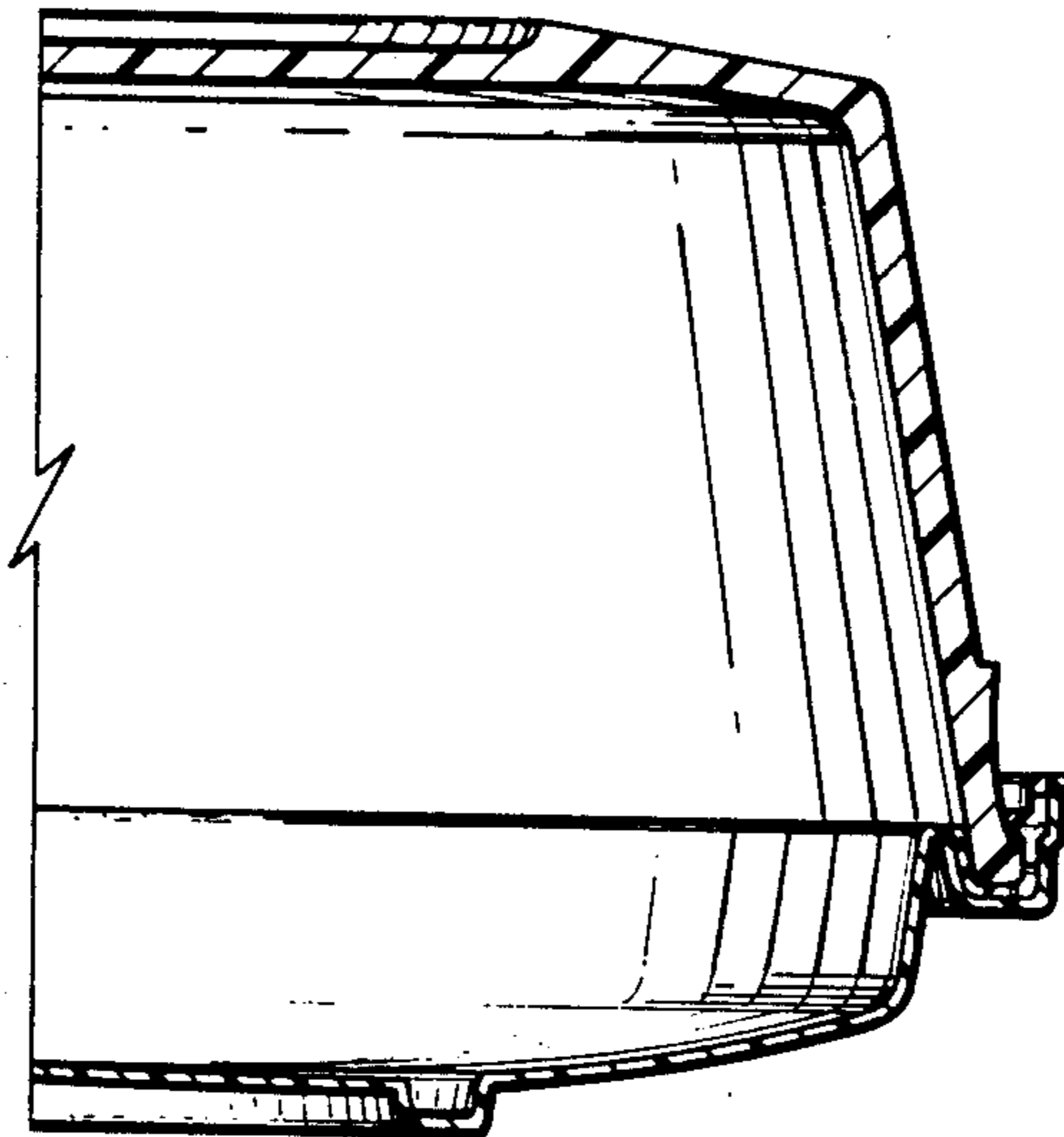
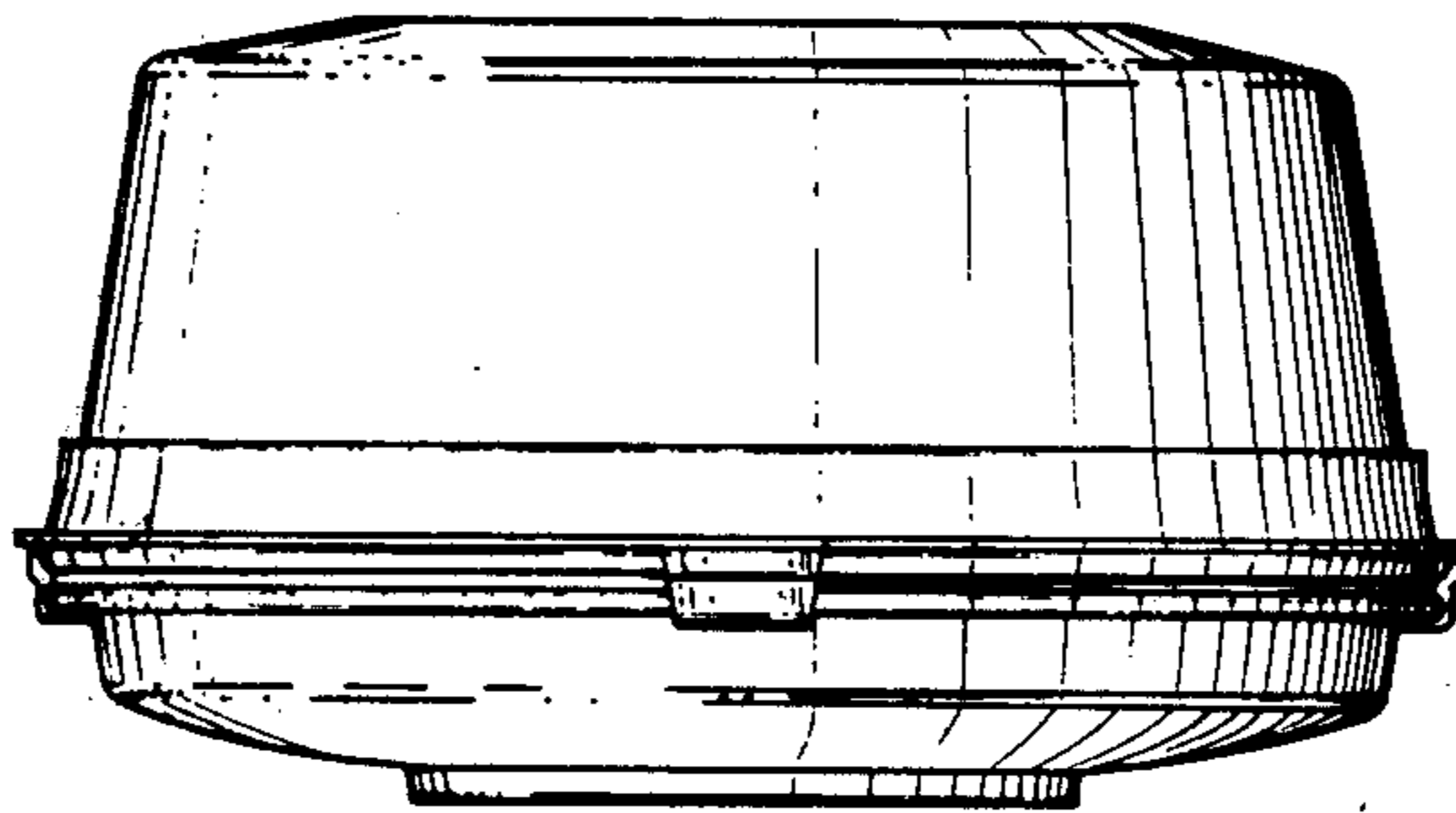
Primary Examiner—Winifred E. Herrmann
Attorney, Agent, or Firm—Kenneth J. Hovet

[57] CLAIM

The ornamental design for a food storage container, as shown.

DESCRIPTION

FIG. 1 is a perspective view of the food storage container showing my new design; FIG. 2 is a side elevation view; FIG. 3 is a top plan view; FIG. 4 is a bottom plan view; and FIG. 5 is a cross-sectional view on an enlarged scale taken on lines 5—5 of FIG. 3.



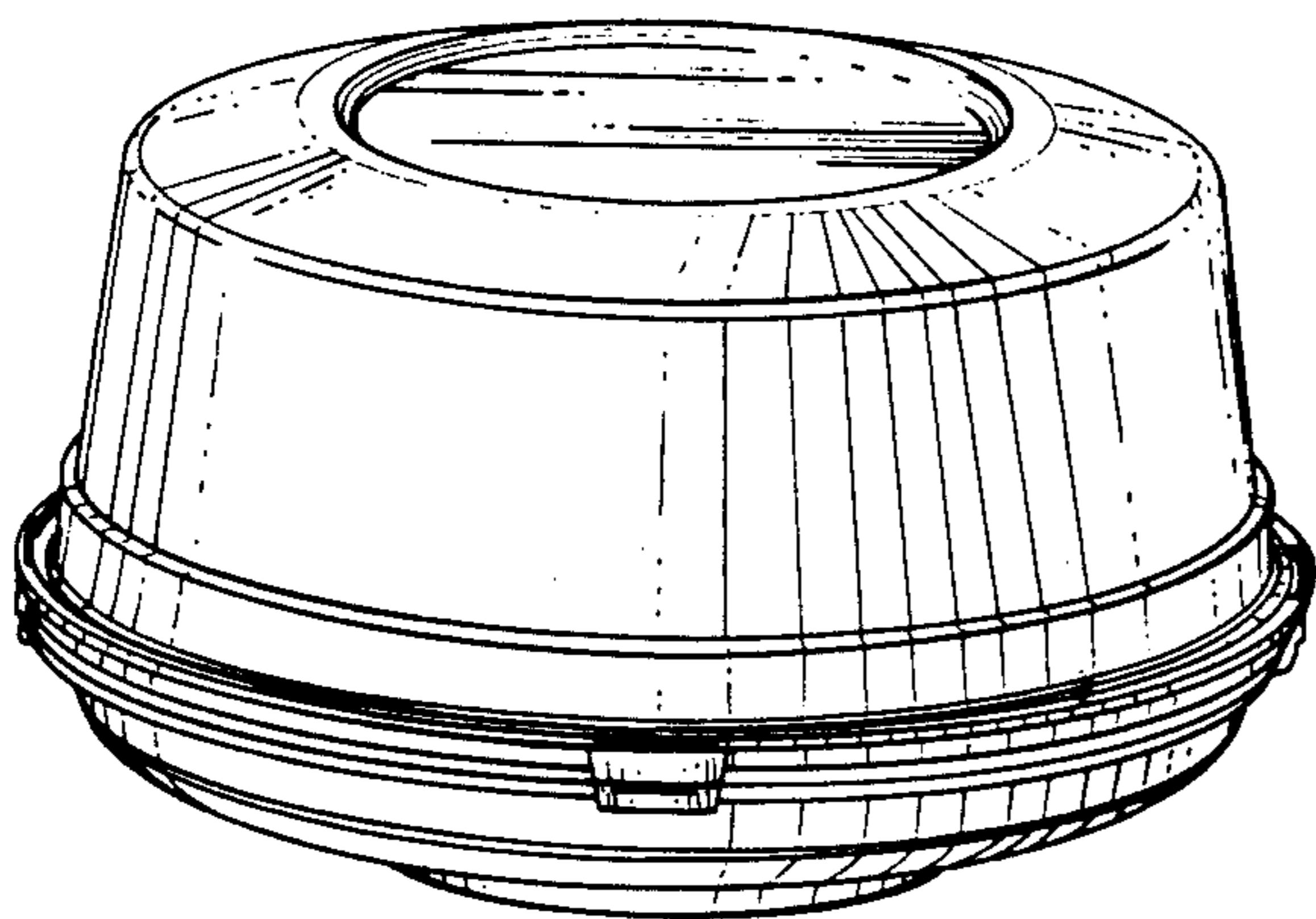


FIG. 1

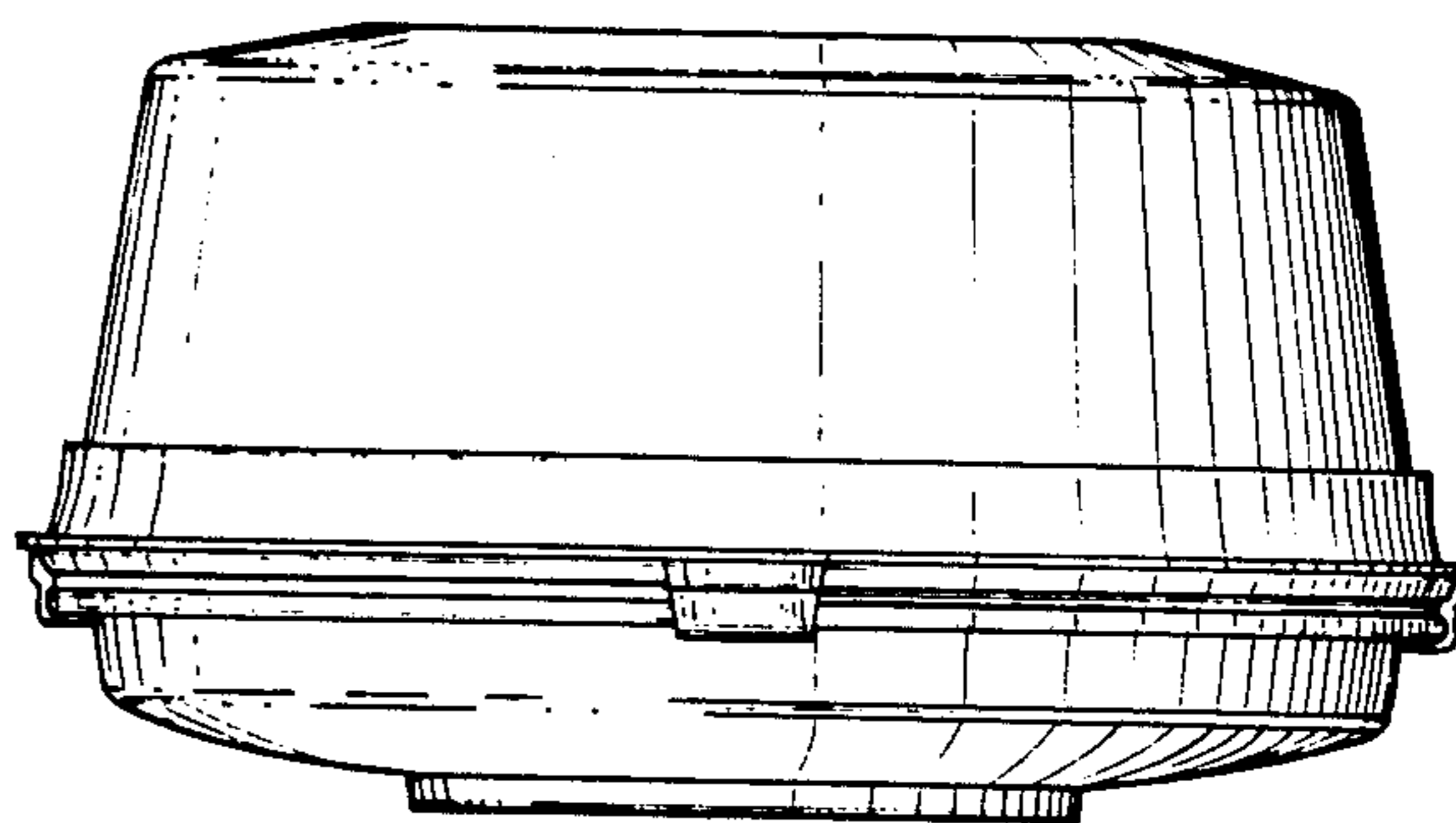


FIG. 2

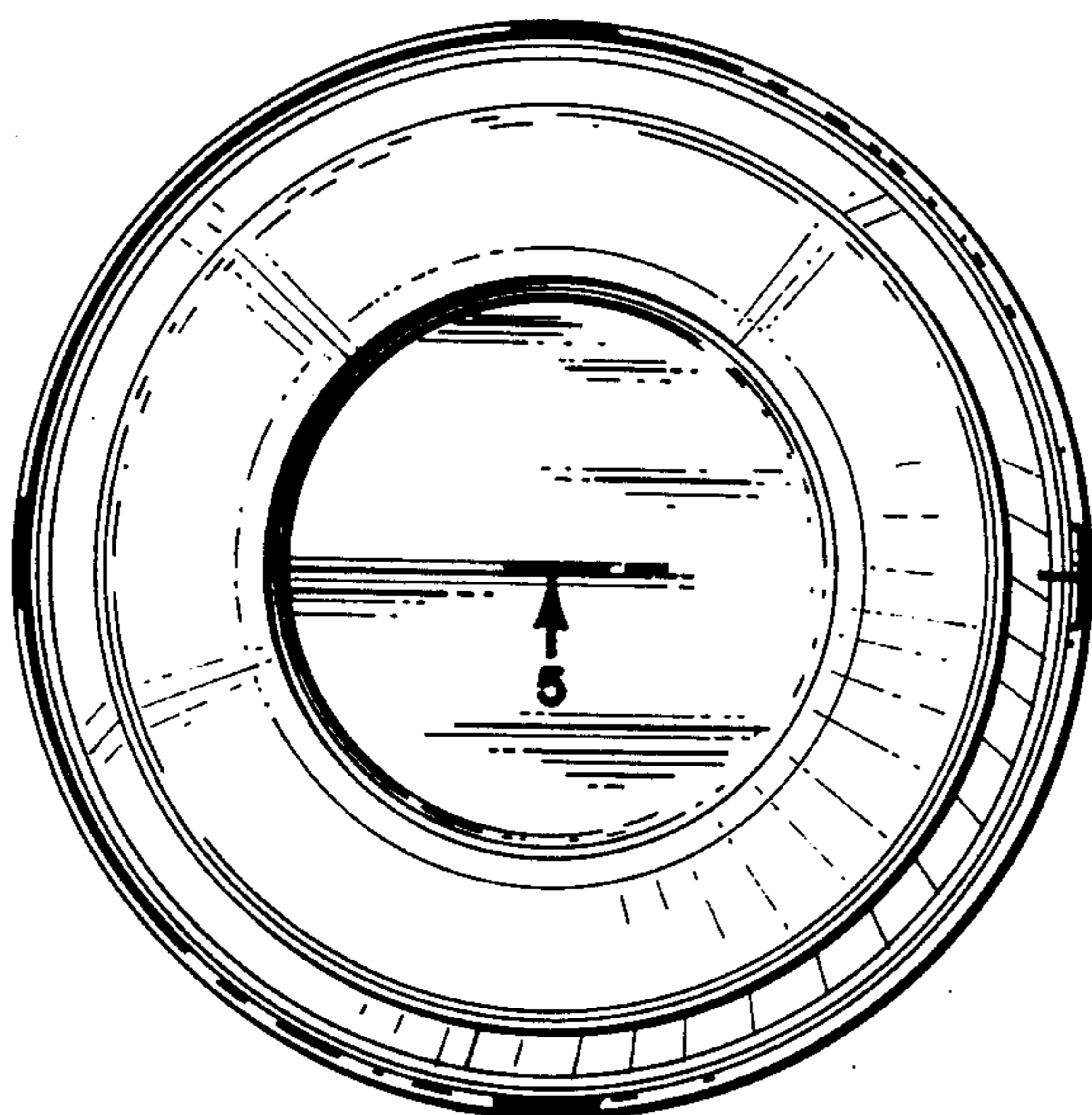


FIG. 3

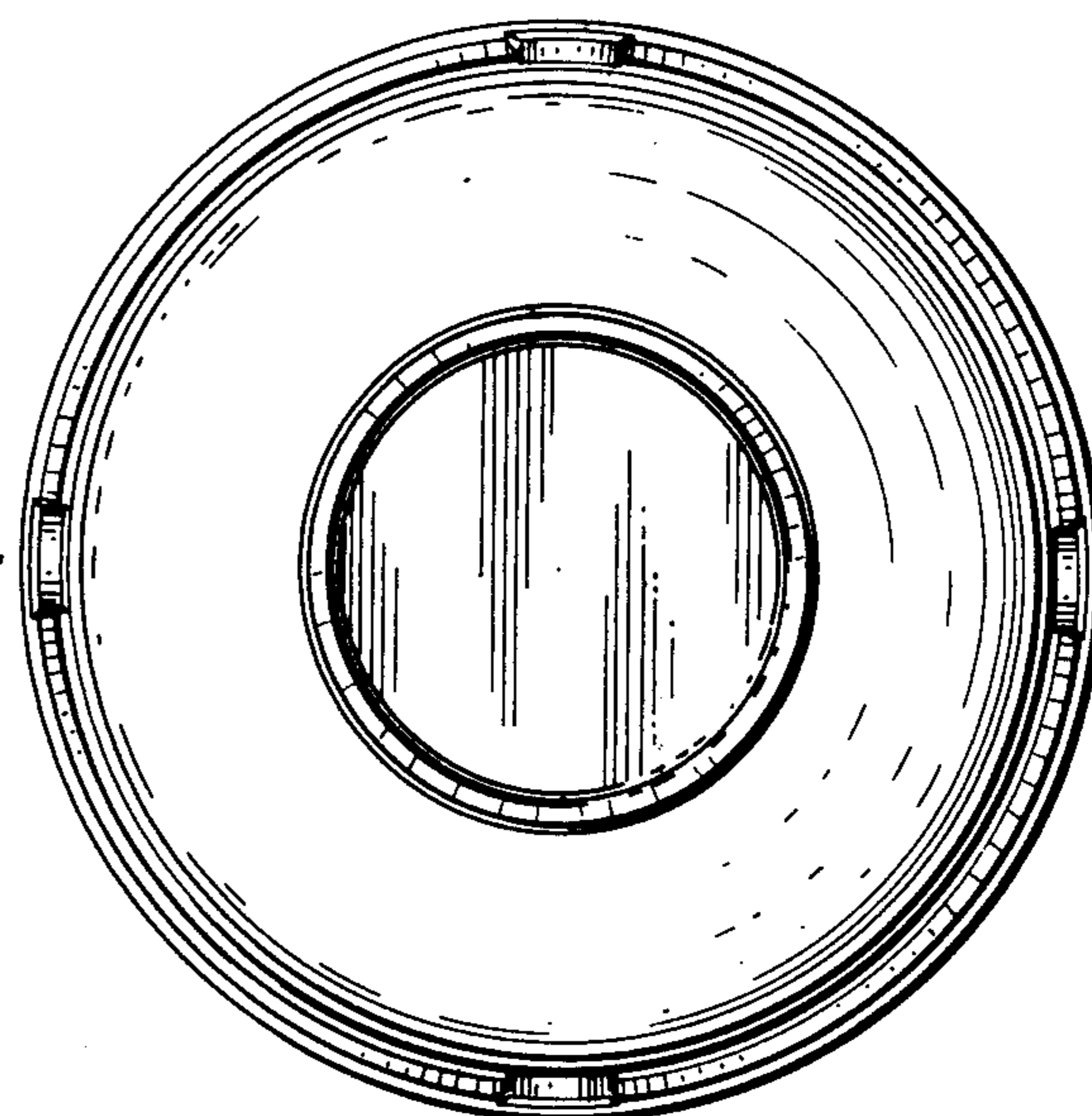


FIG. 4

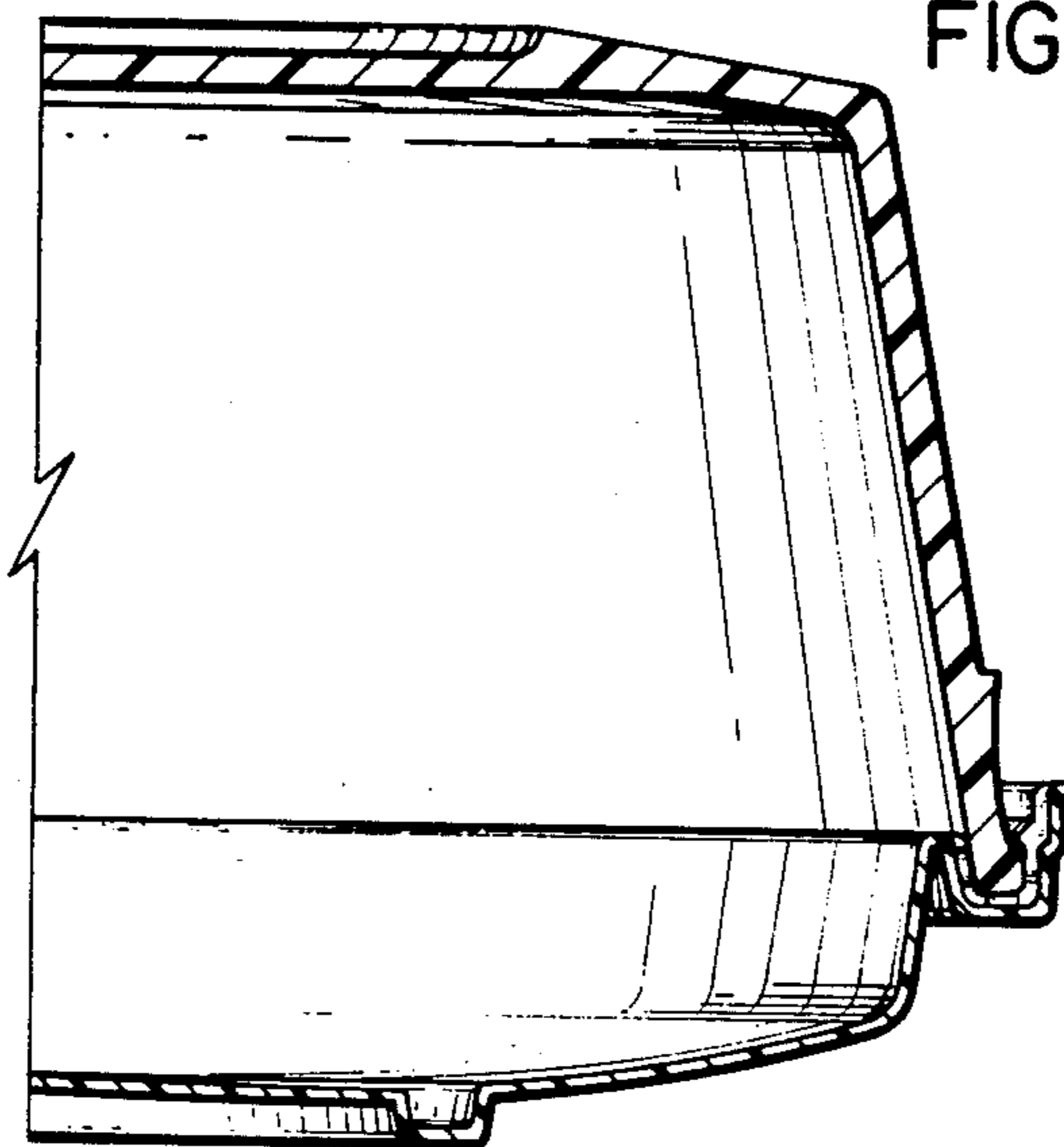


FIG. 5