

[54] CARRYING CASE

[75] Inventor: Sol Koffler, Providence, R.I.

[73] Assignee: American Tourister, Inc.

[\*\*] Term: 14 Years

[21] Appl. No.: 761,222

[22] Filed: Jan. 21, 1977

Related U.S. Application Data

[63] Continuation-in-part of Ser. No. 711,795, Aug. 5, 1976.

[51] Int. Cl. .... D3-01

[52] U.S. Cl. .... D3/71

[58] Field of Search ..... D87/3 R, 5 B, 5 R, 5.6; 150/28 R, 1.6, 12, 1; 190/41.2

[56] References Cited

U.S. PATENT DOCUMENTS

D. 128,525	7/1941	Meyer	.....	D87/5.6
D. 242,181	11/1976	Davis	.....	D87/5.6
2,464,350	3/1949	Schmidt	.....	190/41.2

OTHER PUBLICATIONS

Luggage & Leather Goods, 7/75, p. 20, top rt. cor.

Primary Examiner—Joel Stearman  
Assistant Examiner—George P. Word  
Attorney, Agent, or Firm—Richard L. Johnston

[57] CLAIM

The ornamental design for a carrying case, as shown and described.

DESCRIPTION

FIG. 1 is a front perspective view of a carrying case showing my new design;  
 FIG. 2 is a rear perspective view thereof;  
 FIG. 3 is a top plan view;  
 FIG. 4 is a perspective view of a modified form of the carrying case wherein the carrying handles have been omitted;  
 FIG. 5 is a rear perspective view thereof;  
 FIG. 6 is a top plan view thereof;  
 FIG. 7 is a bottom plan view thereof;  
 FIG. 8 is an end elevational view;  
 FIG. 9 is a perspective view of another modified form of the carrying case;  
 FIG. 10 is a rear perspective view thereof;  
 FIG. 11 is a top plan view thereof; and  
 FIG. 12 is an end elevational view thereof.  
 The bottom plan view of each embodiment is substantially the same as that shown in FIG. 7.

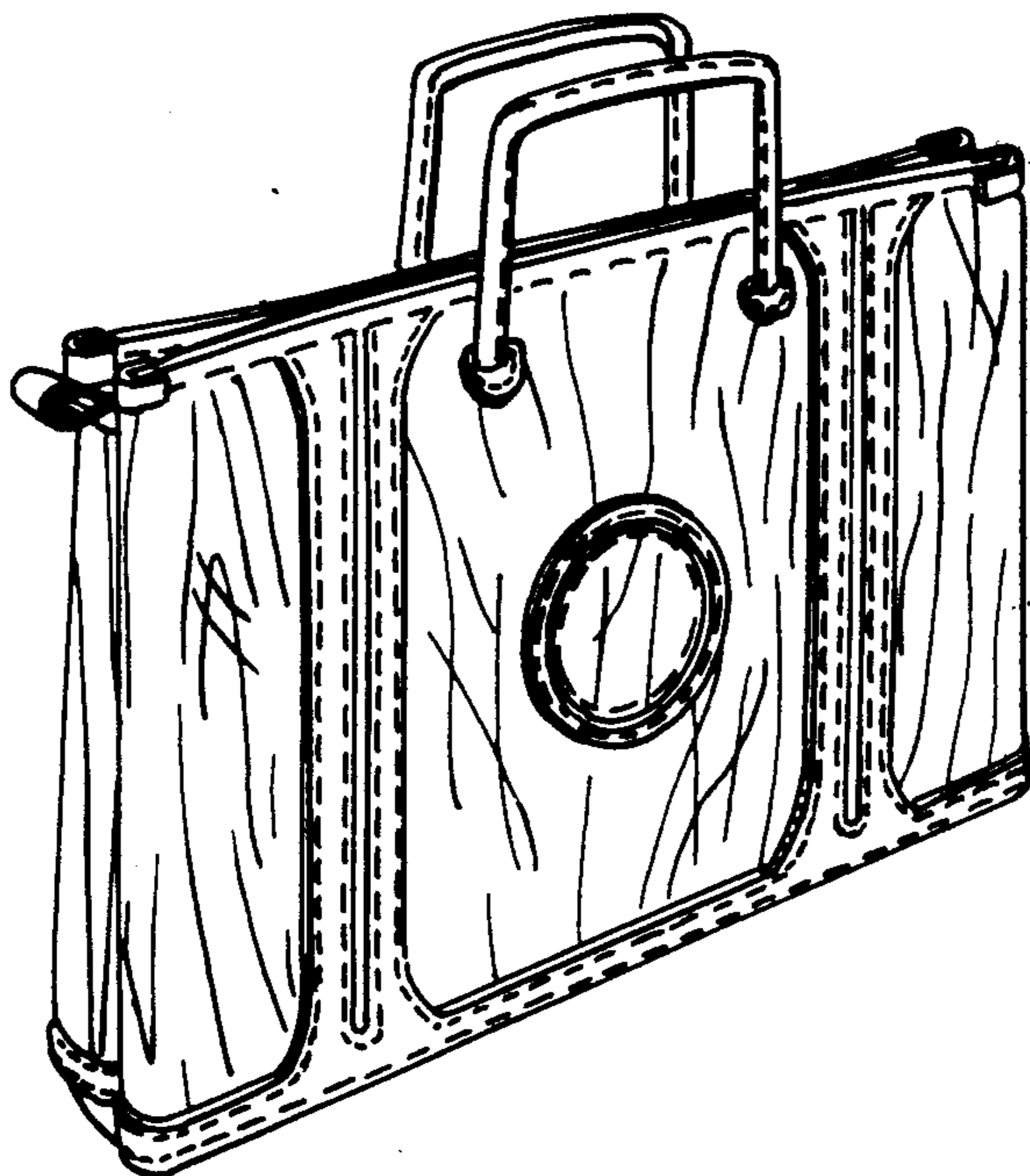


FIG. 1

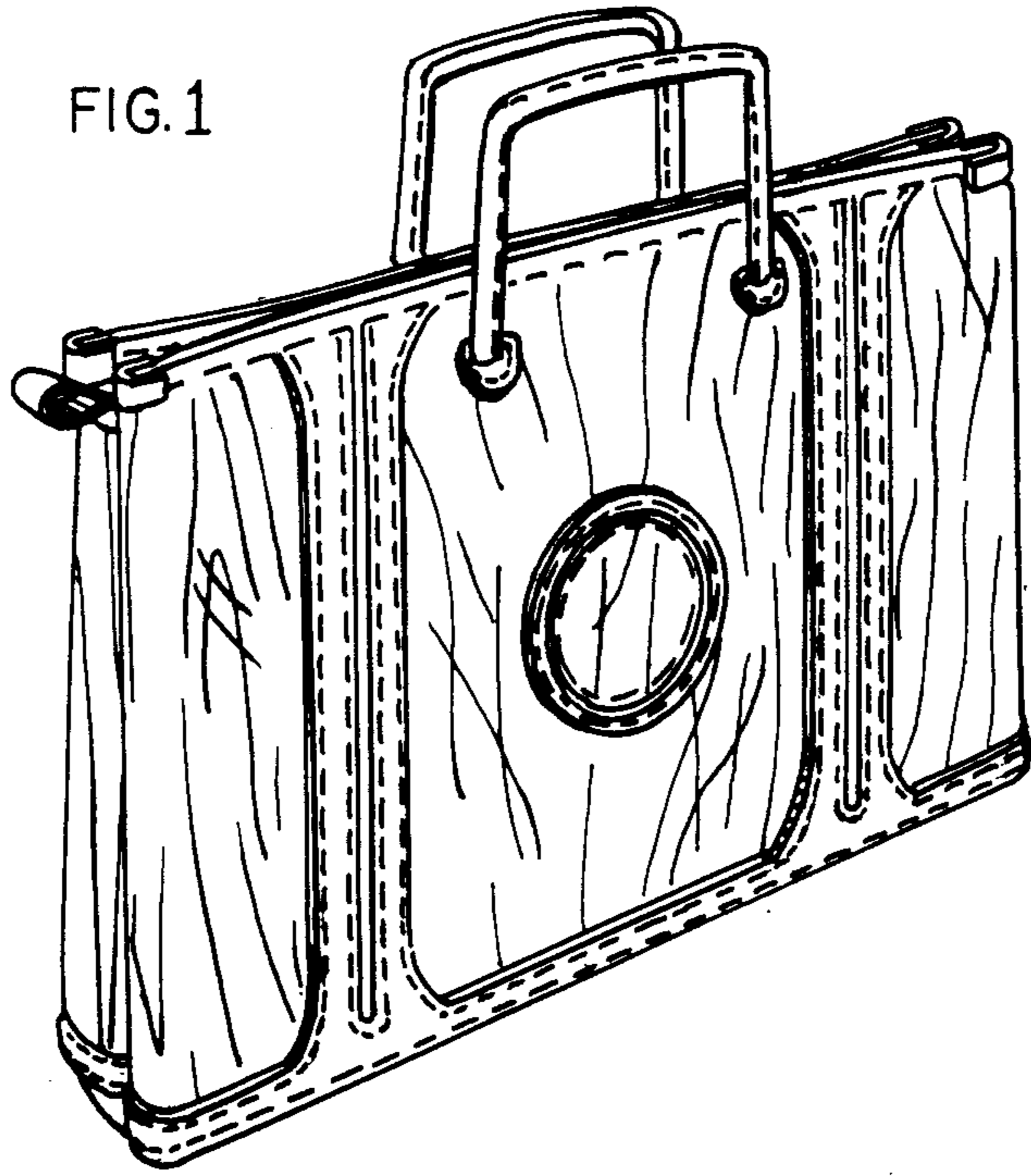


FIG. 2

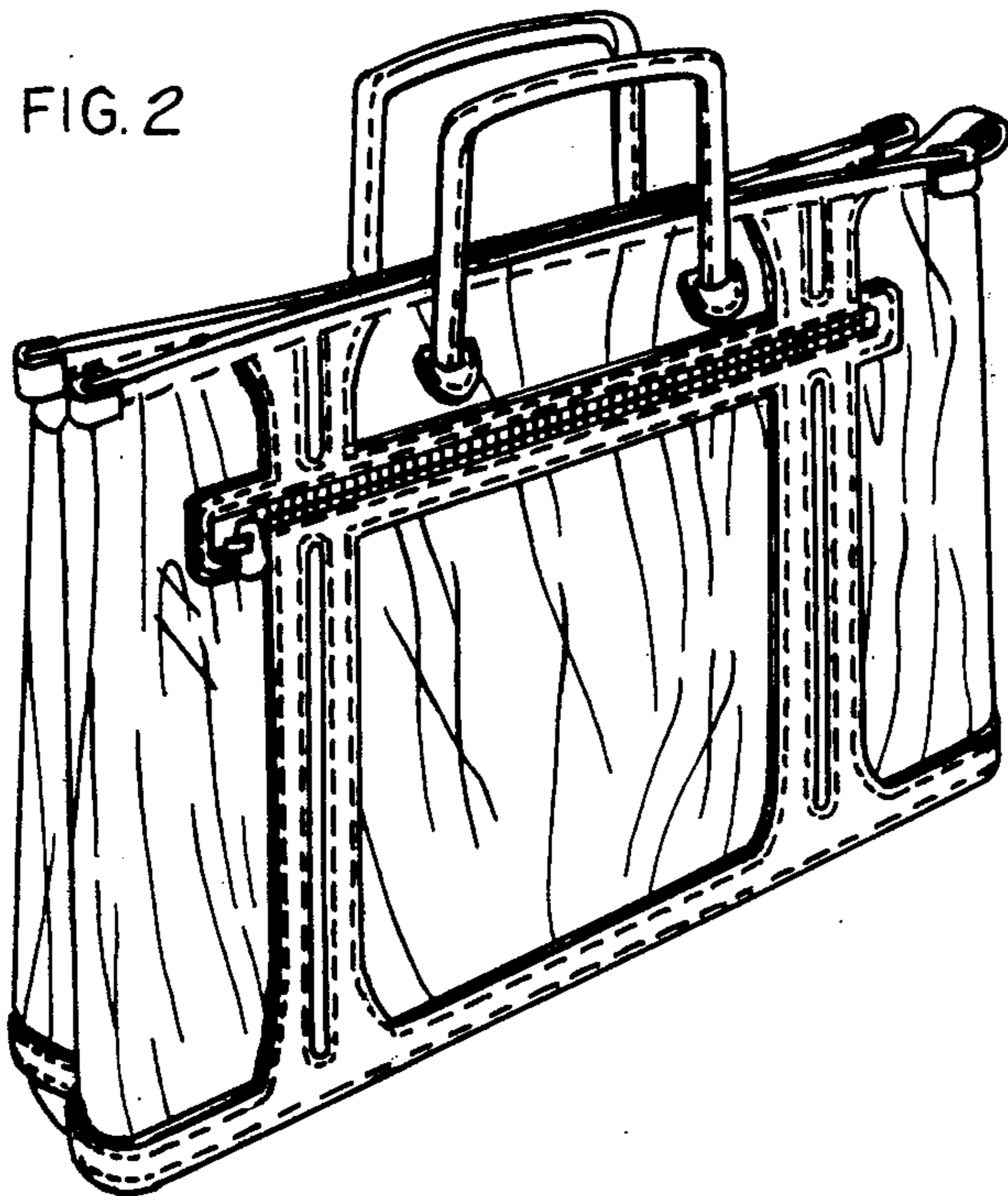


FIG. 3

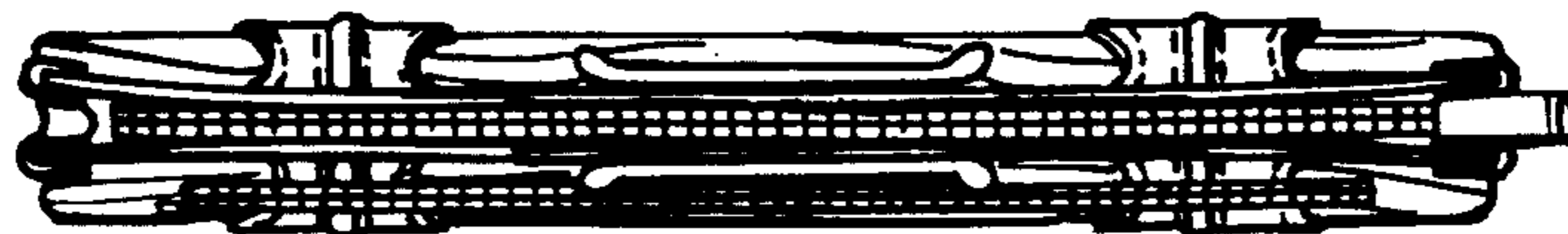


FIG. 4

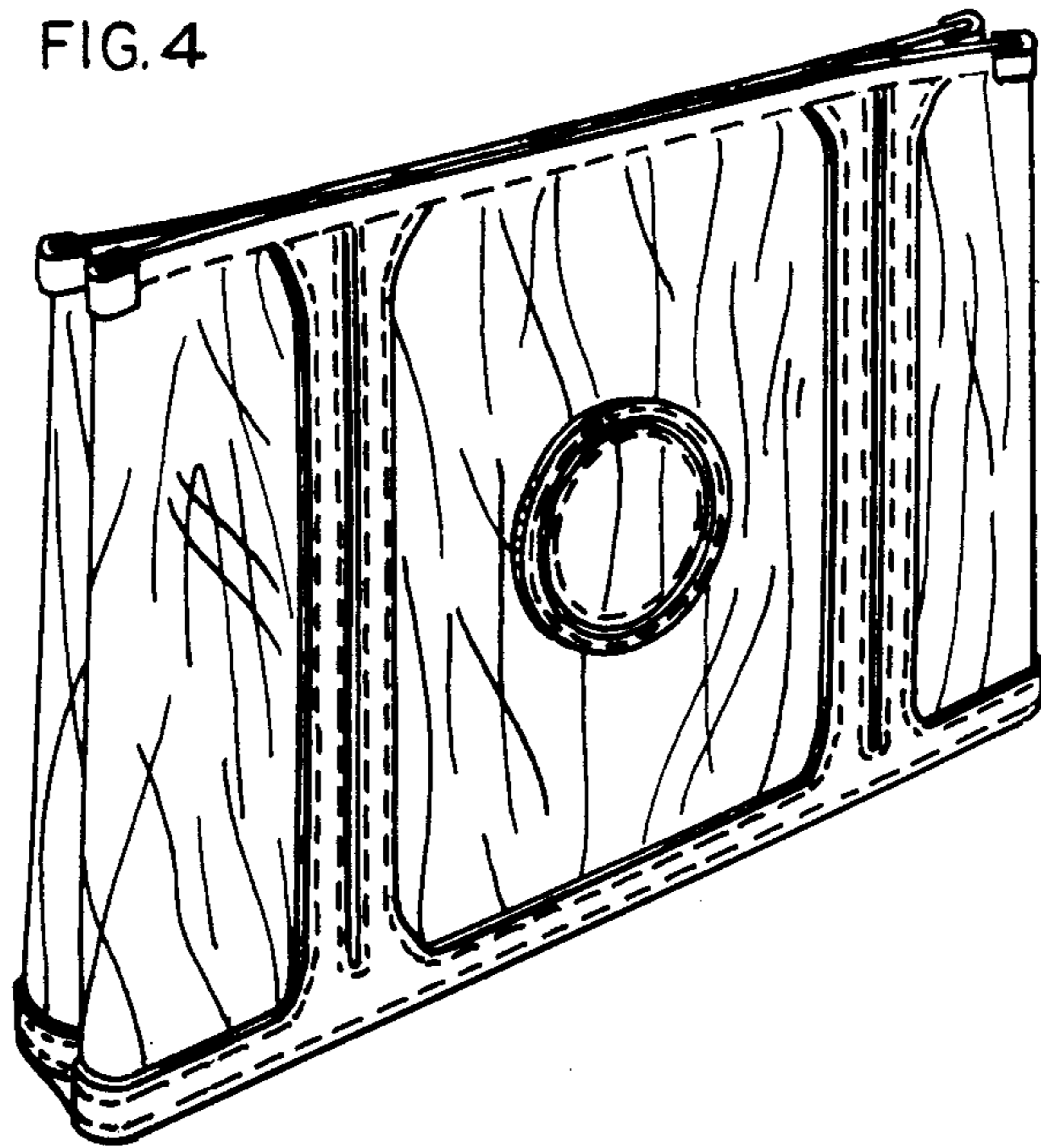


FIG. 5

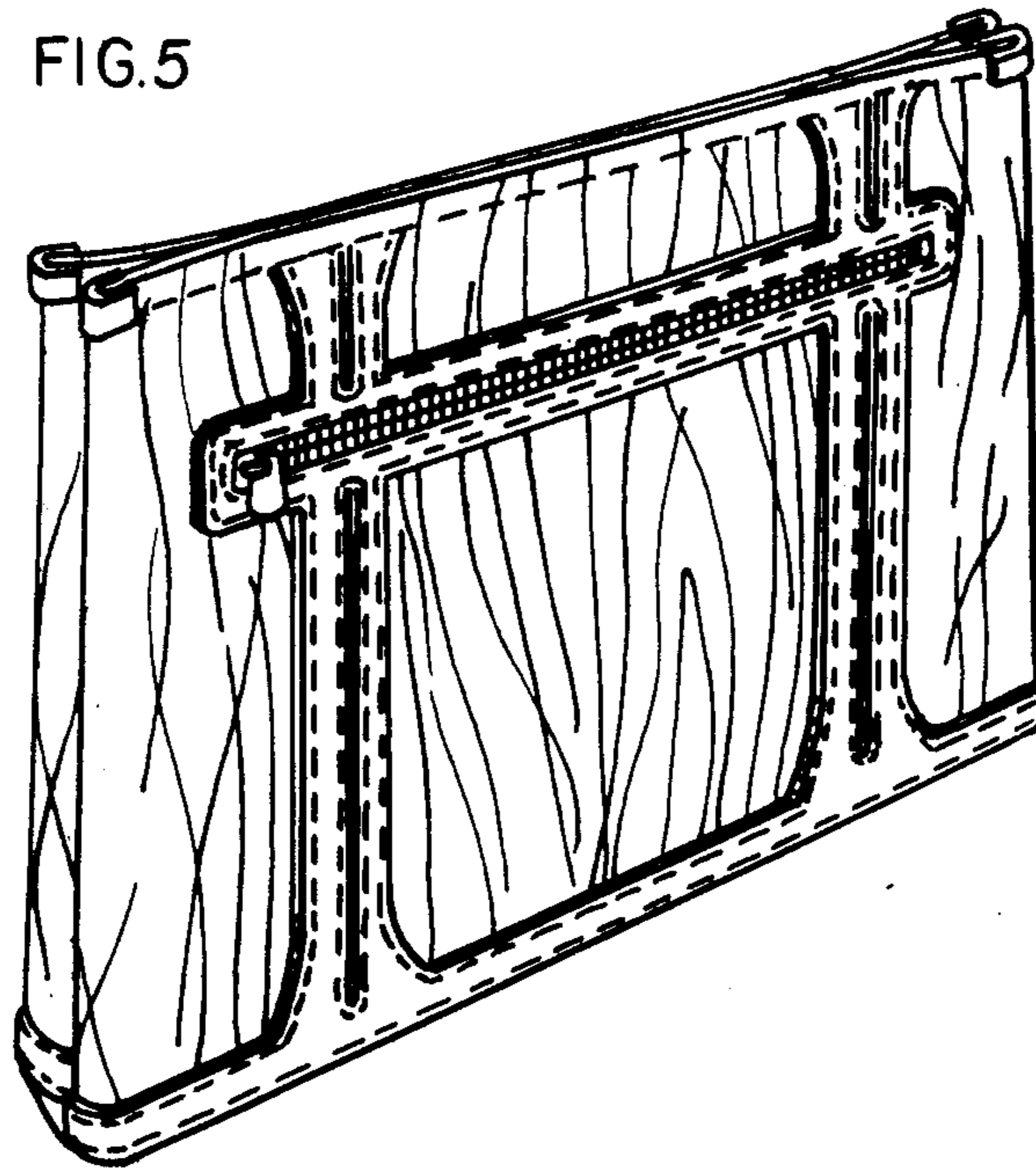


FIG. 8



FIG. 6

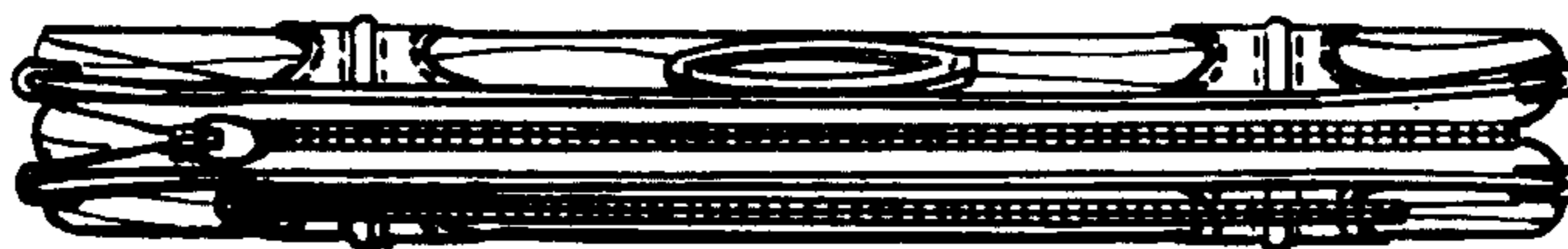


FIG. 7

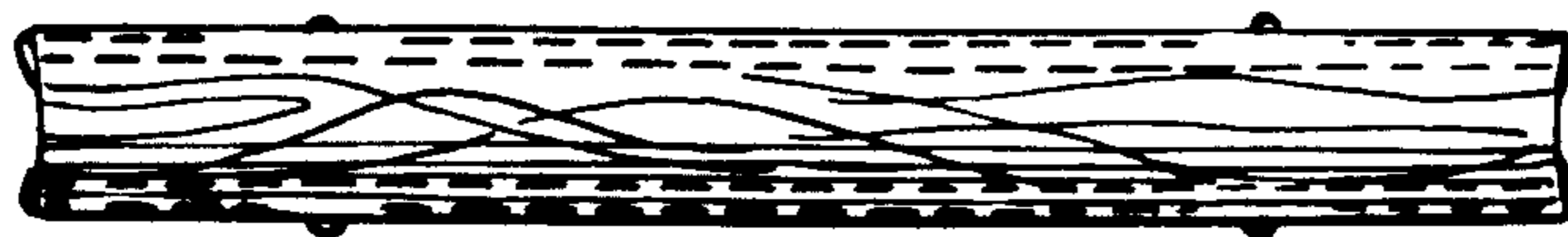


FIG.9

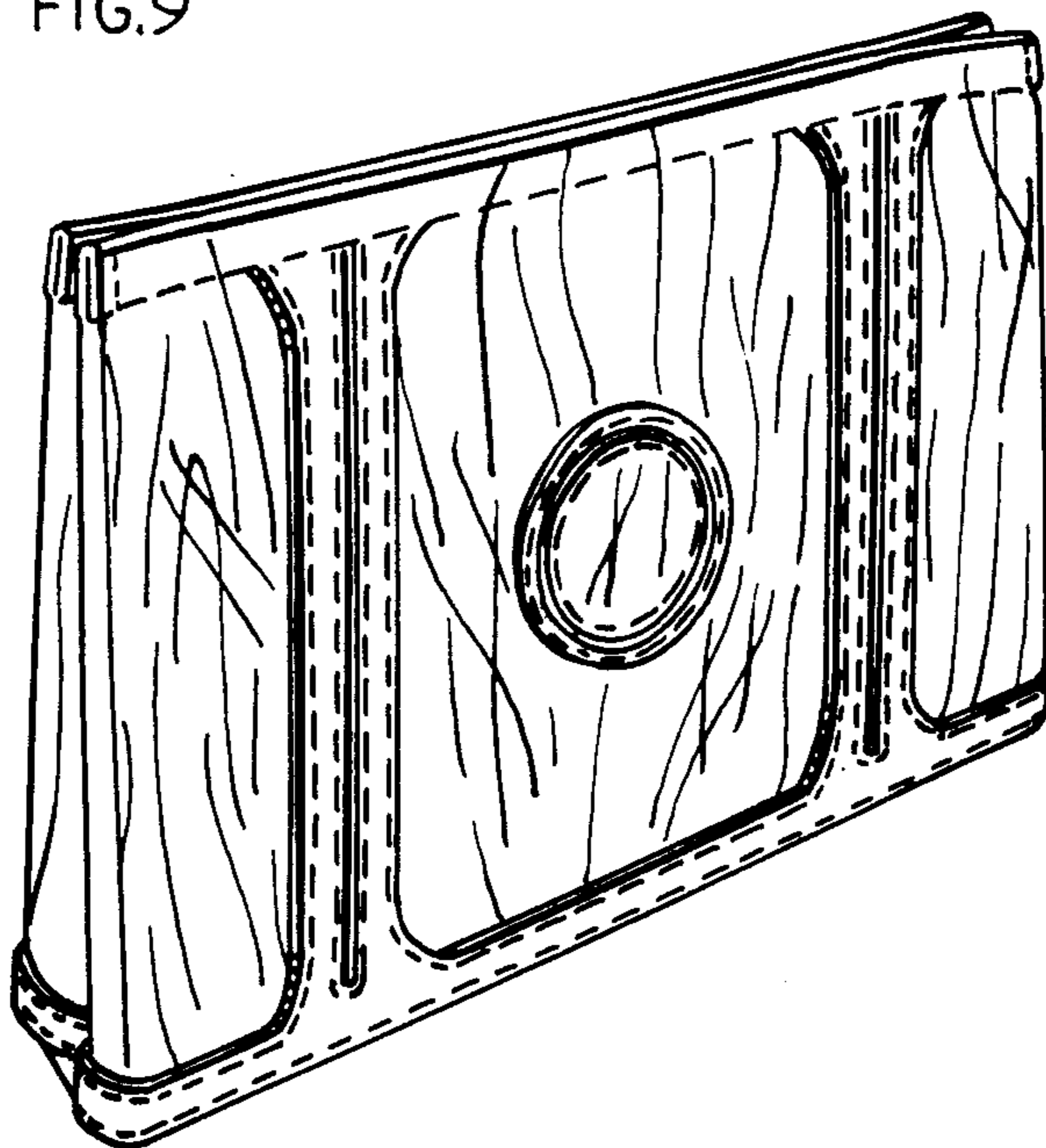


FIG.10

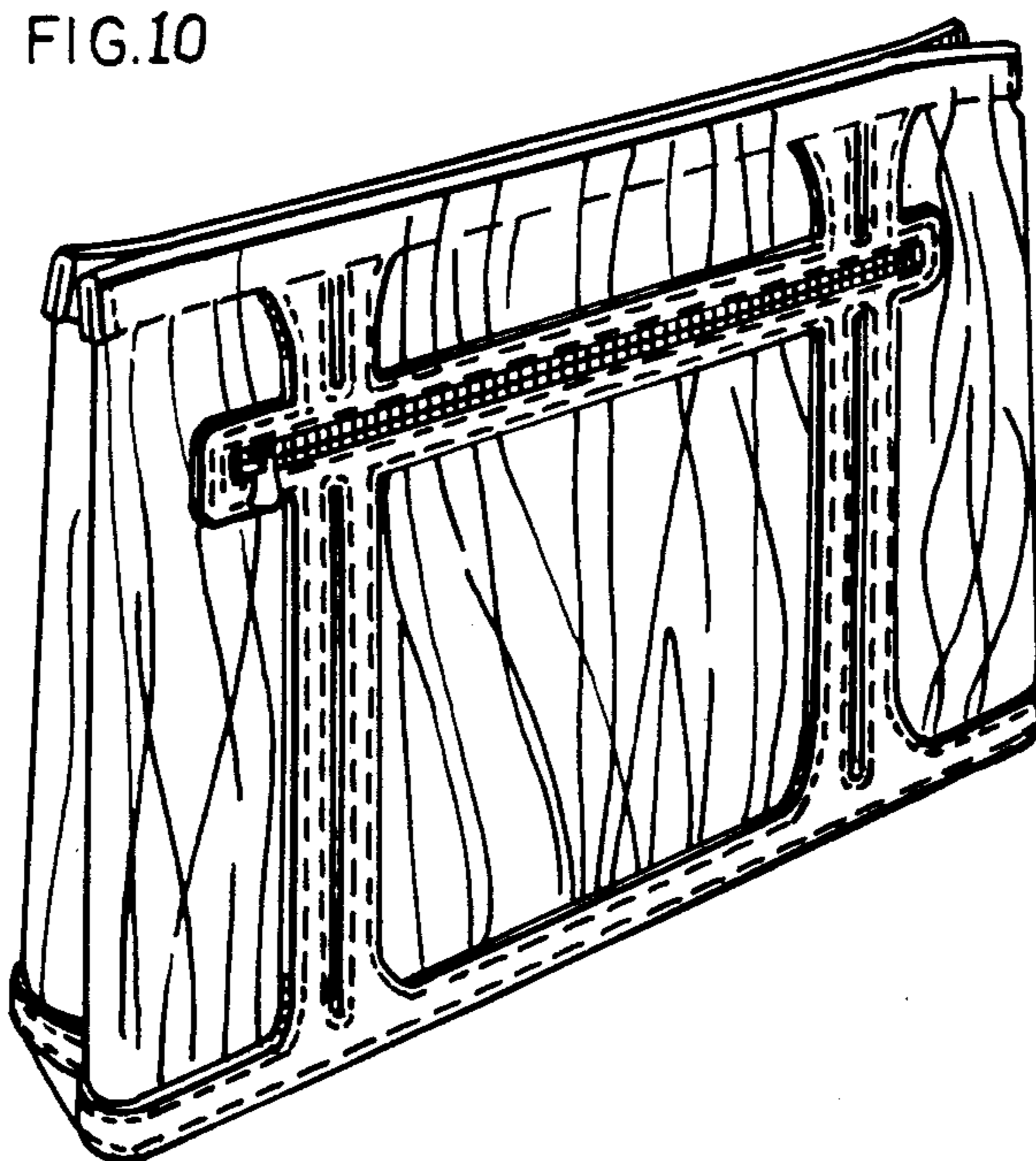
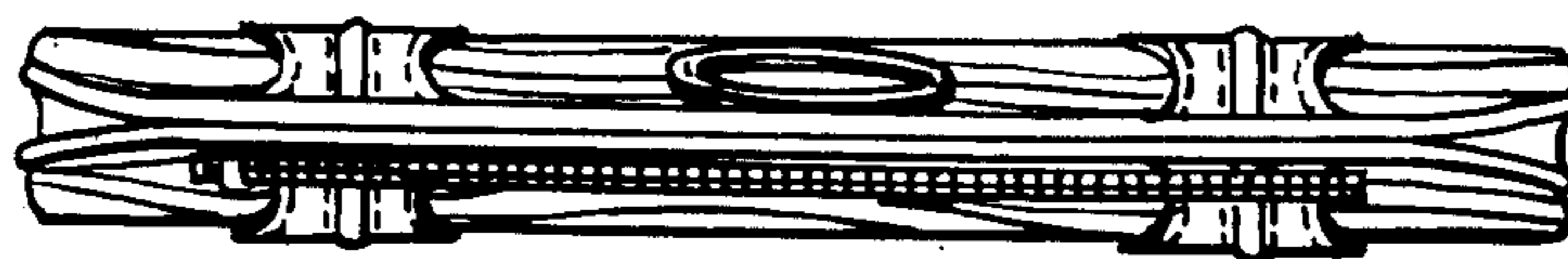


FIG.12



FIG.11



UNITED STATES PATENT AND TRADEMARK OFFICE  
**CERTIFICATE OF CORRECTION**

PATENT NO. : Des. No. 252,175

DATED : June 19, 1979

INVENTOR(S) : Sol Koffler

It is certified that error appears in the above—identified patent and that said Letters Patent is hereby corrected as shown below:

The term of this patent subsequent  
to June 5, 1993, has been disclaimed.

**Signed and Sealed this**

*Eighth Day of January 1980*

[SEAL]

*Attest:*

**SIDNEY A. DIAMOND**

*Attesting Officer*

*Commissioner of Patents and Trademarks*

**Disclaimer and Dedication**

Des. No. 252,175.—*Sol Koffler*, Providence, R.I. CARRYING CASE. Patent dated June 19, 1979. Disclaimer and Dedication filed Dec. 12, 1986, by the assignee, *American Tourister, Inc.*

Hereby disclaims and dedicates to the Public the entire term of said patent.  
[*Official Gazette February 17, 1987.*]