

[54] COMBINED PLURAL SPACER AND GUIDE INSERT MODULE

[75] Inventors: Peter J. Thwaites, Eltisley; Dennis W. Green, Stapleford, both of England

[73] Assignee: Dufaulte Developments Limited, Cambridgeshire, England

[**] Term: 14 Years

[21] Appl. No.: 655,798

[22] Filed: Feb. 6, 1976

[51] Int. Cl. D25-01

[52] U.S. Cl. D25/88; D25/73; D25/87; D25/91

[58] Field of Search 52/309, 615, 618; D25/61, 70, 73, 74, 75, 77, 78, 80, 84, 86, 87, 88, 91, 97

[56] References Cited

U.S. PATENT DOCUMENTS

3,974,612 8/1976 Karner 52/309

FOREIGN PATENT DOCUMENTS

465102 1/1914 France D25/80

Primary Examiner—A. Hugo Word
Attorney, Agent, or Firm—William A. Drucker

[57] CLAIM

The ornamental design for a combined plural spacer and guide insert module, as shown.

DESCRIPTION

FIG. 1 is a perspective elevation from above and one side and one end;

FIG. 2 is an elevation of the other end both ends being identical;

FIG. 3 is an elevation of the other side, both sides being identical;

FIG. 4 is an underplan.

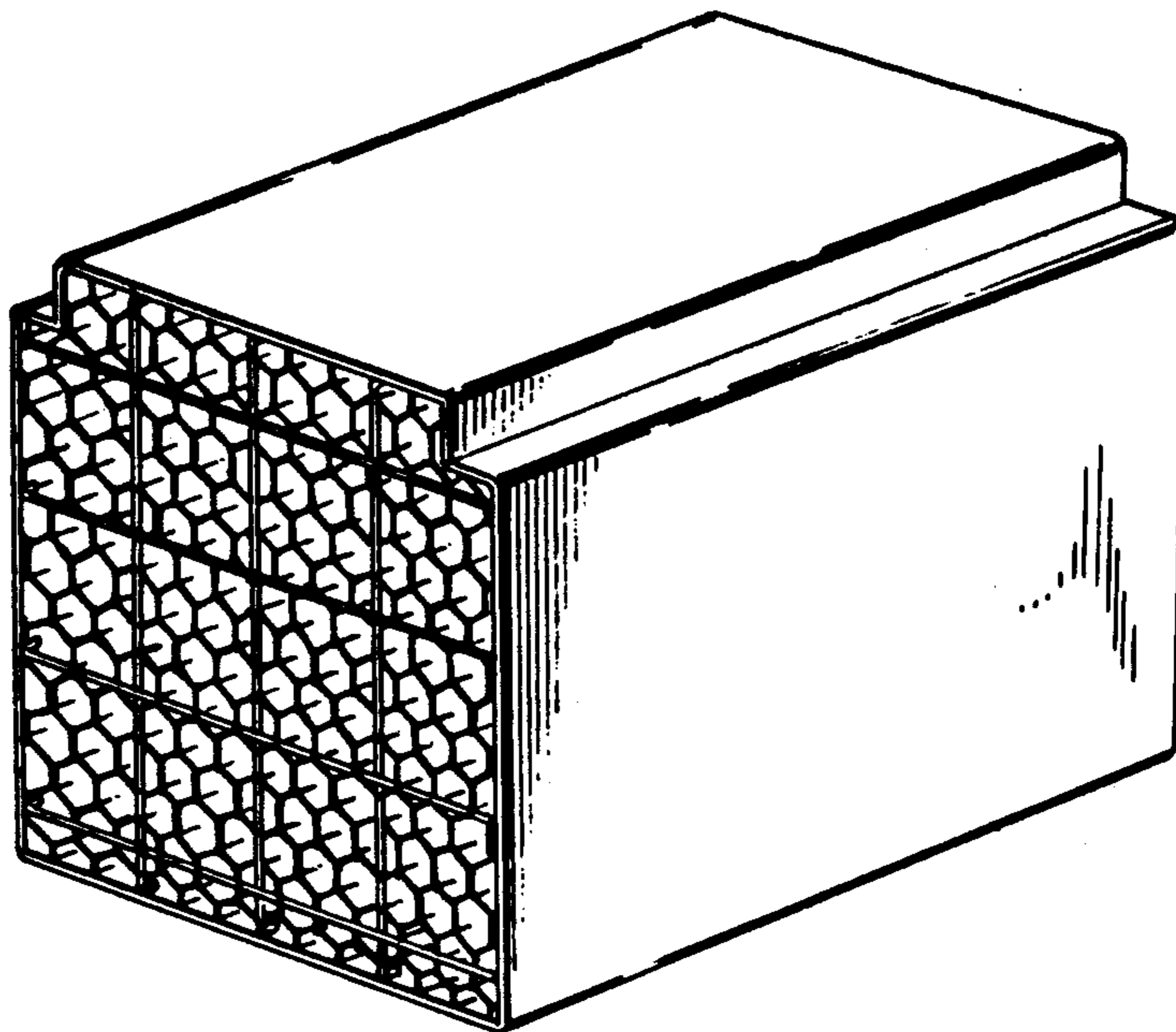


FIG. 1

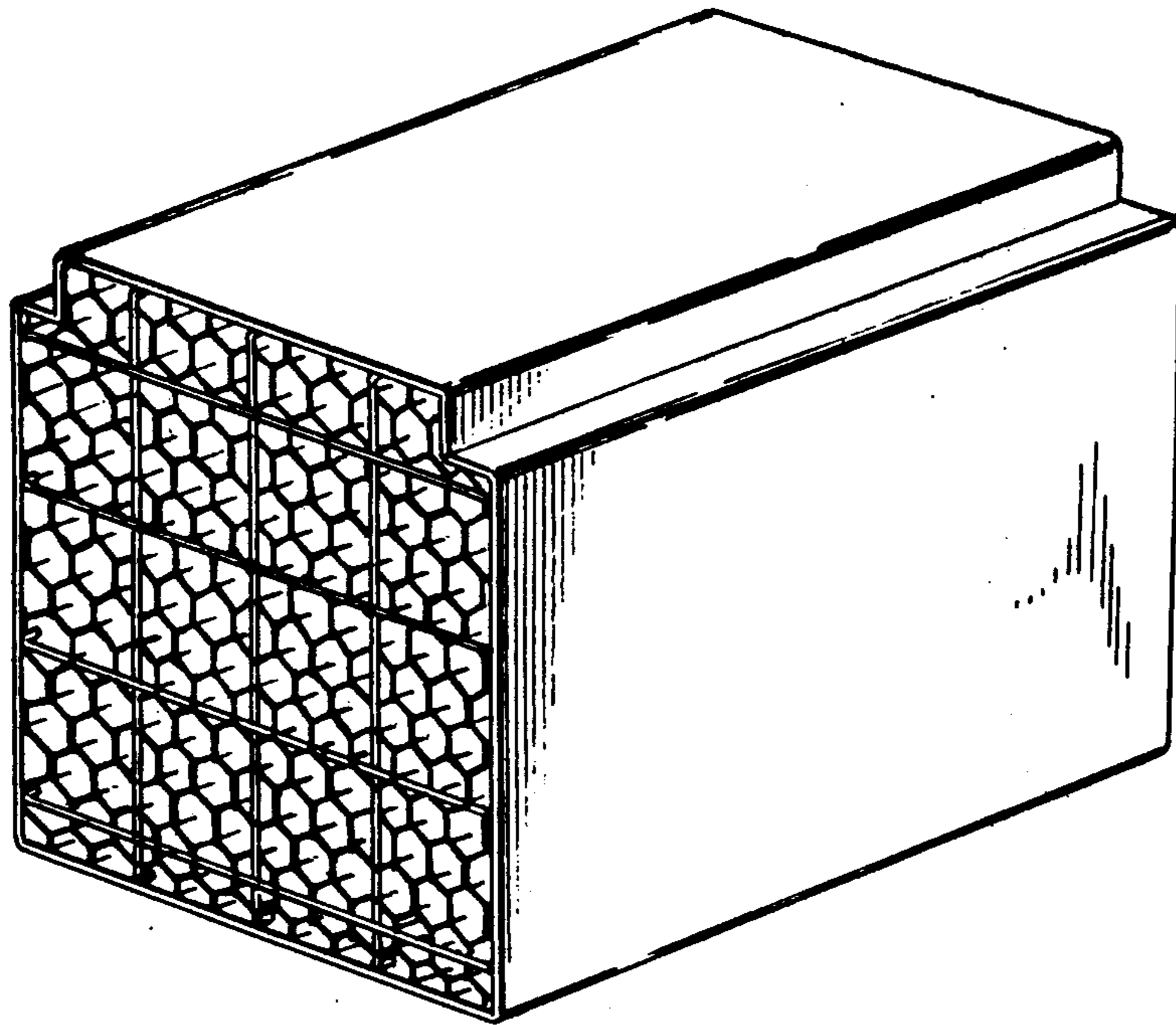


FIG. 2

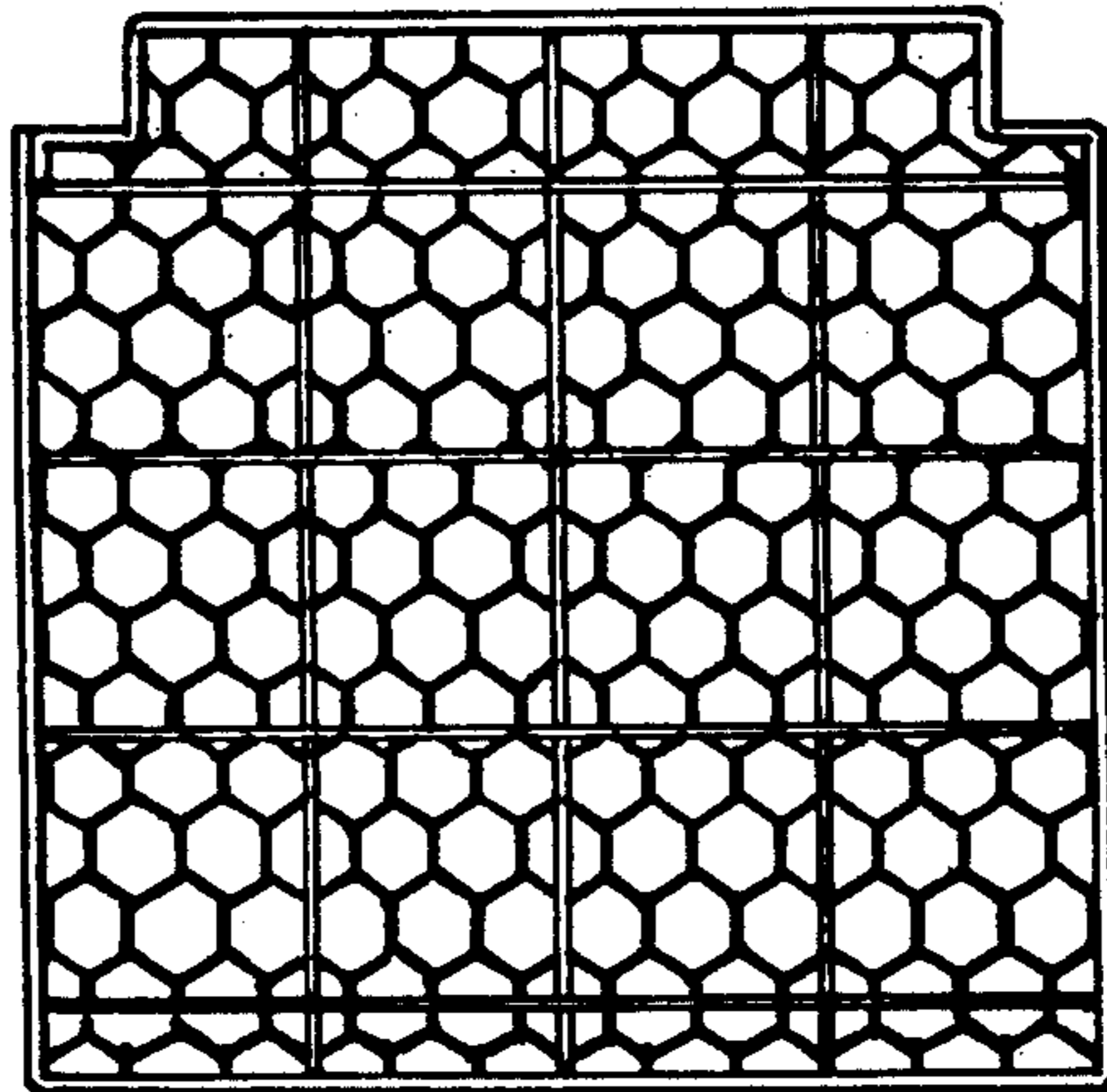


FIG. 3

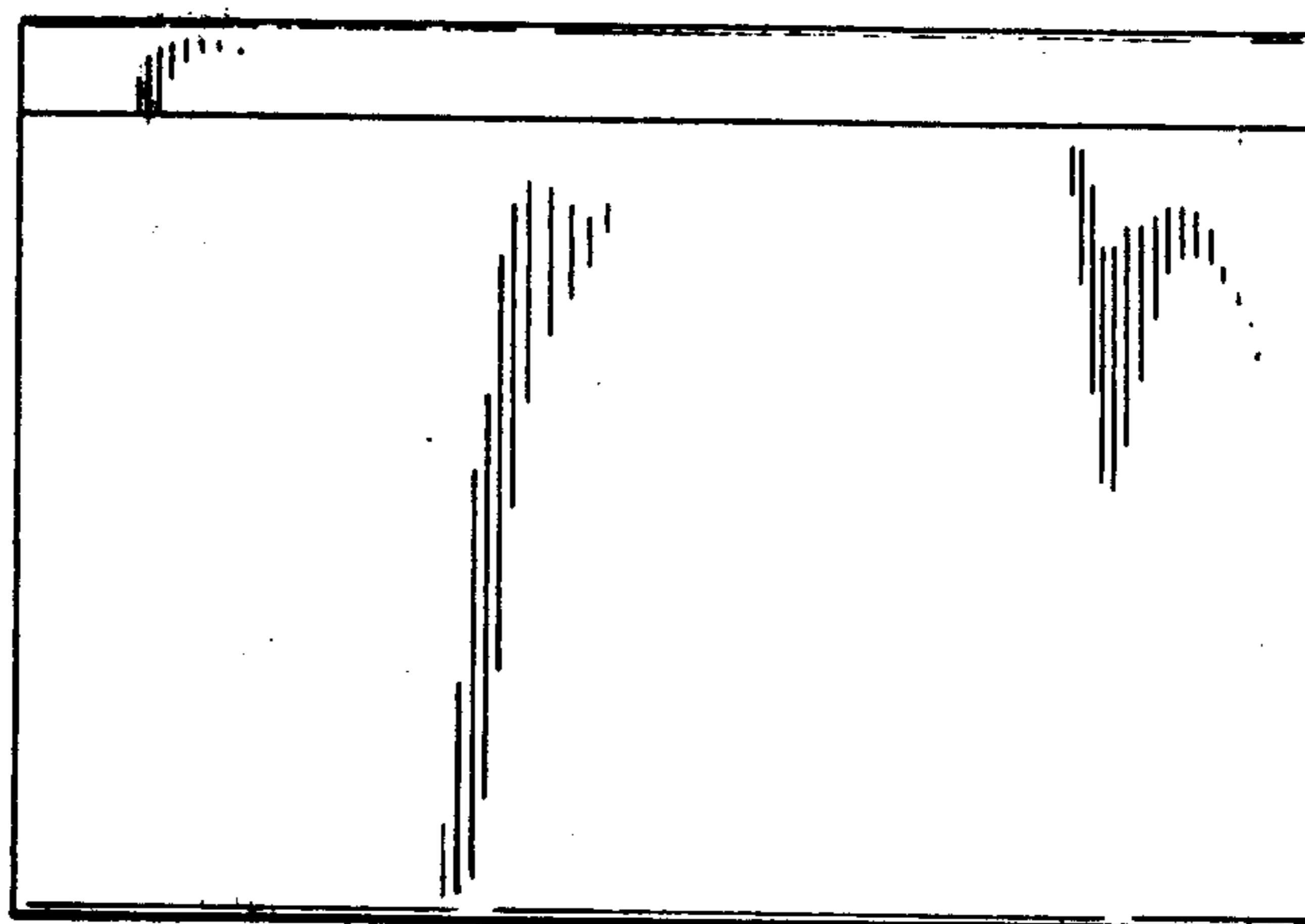


FIG. 4

