

[54] TYPEWRITER

[75] Inventor: Robin P. Boot, Birmingham, England

[73] Assignee: Dobson Park Industrial Products Ltd.

[**] Term: 14 Years

[21] Appl. No.: 777,764

[22] Filed: Mar. 15, 1977

[30] Foreign Application Priority Data

Sep. 17, 1976 [GB] United Kingdom 977216/76

[51] Int. Cl. D18-01

[52] U.S. Cl. D18/1

[58] Field of Search D64/11 A; D14/50, 93; 312/208; 400/691-694

[56]

References Cited

U.S. PATENT DOCUMENTS

D. 207,978	6/1967	Noyes	D64/11 A
D. 224,571	8/1972	Yotsukura	D64/11 A
D. 237,109	10/1975	Genaro et al.	D64/11 A

Primary Examiner—Louis S. Zarfes
Attorney, Agent, or Firm—David B. Kirschstein

[57]

CLAIM

The ornamental design for a typewriter, as shown.

DESCRIPTION

FIG. 1 is a front perspective view from above of a typewriter showing my new design, FIG. 2 is a rear perspective view from below thereof, and FIG. 3 is a left side elevational view thereof.

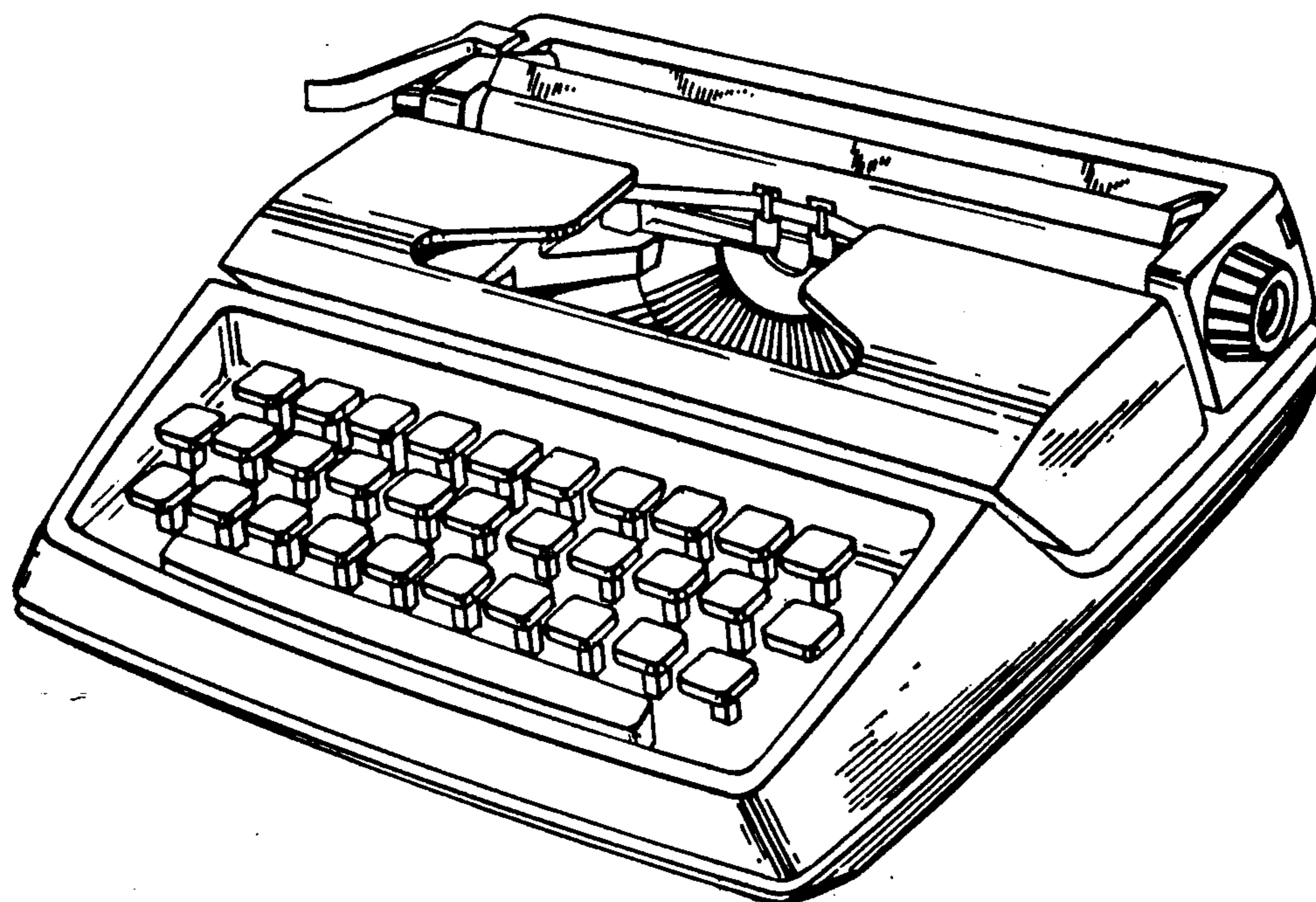


FIG. 1

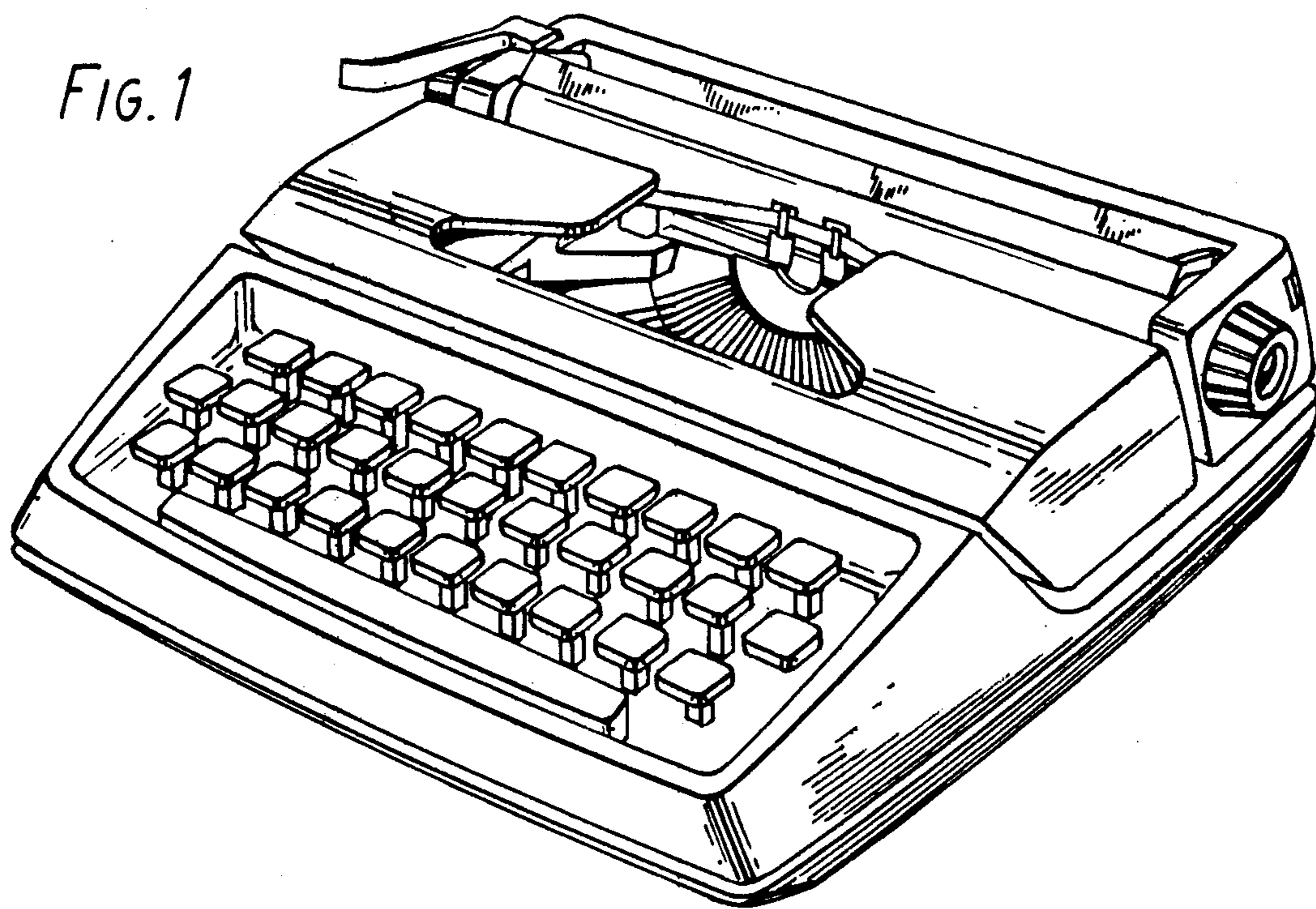


FIG. 2

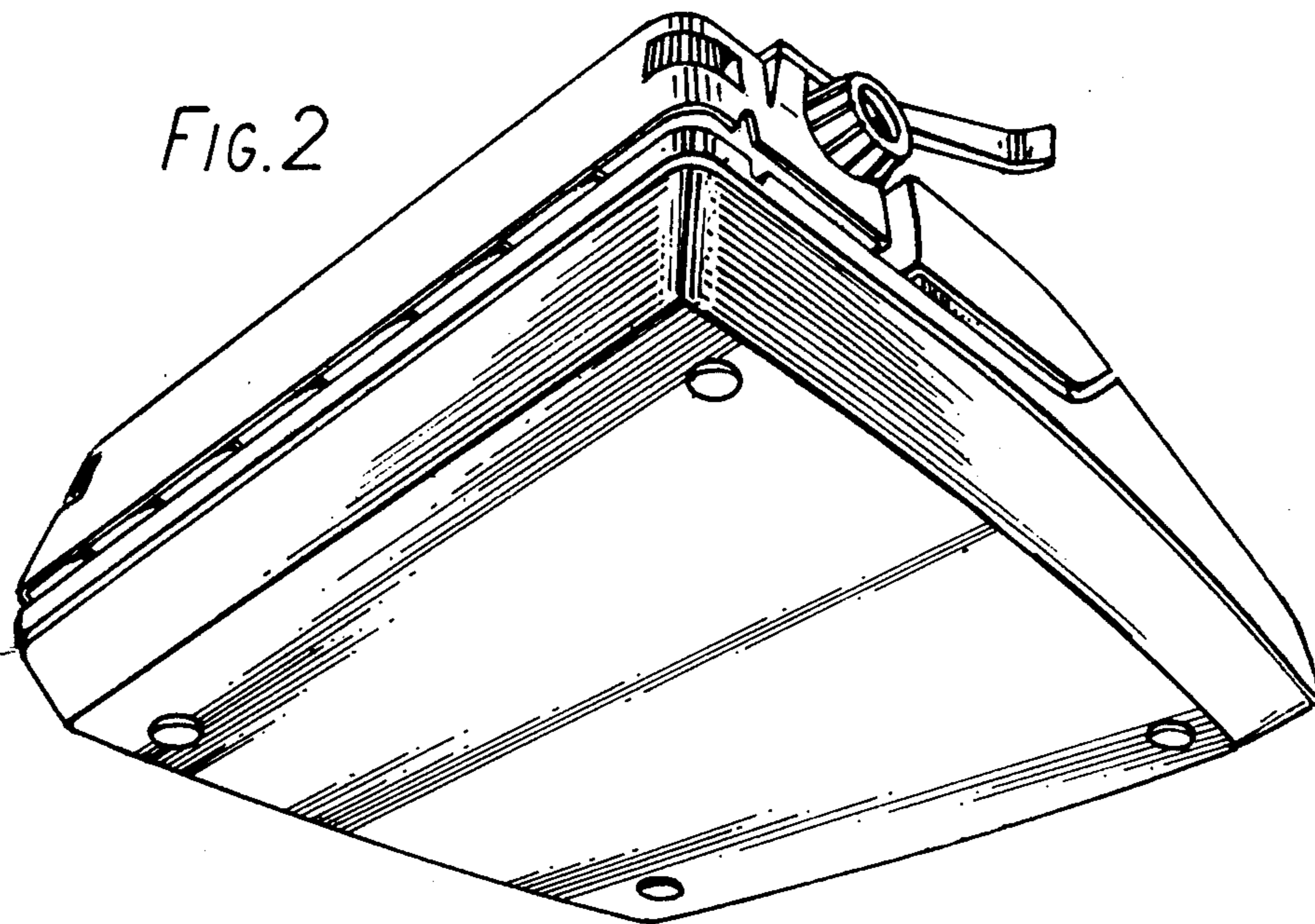


FIG. 3

