

[54] CARPET CLEANING APPARATUS
[76] Inventor: Charles F. Webb, 3047 E. Greenway Rd., Phoenix, Ariz. 85032

[**] Term: 14 Years

[21] Appl. No.: 783,808

[22] Filed: Apr. 1, 1977

[51] Int. Cl. D15-05

[52] U.S. Cl. D15/48

[58] Field of Search D15/48, 52, 53, 54, D15/55, 56, 61, 62, 63, 64; 15/320, 323, 324, 325, 327, 347, 350, 351, 353

[56] References Cited

U.S. PATENT DOCUMENTS

D. 219,234 11/1970 Schucker D15/48

D. 219,235 11/1970 Schucker D15/53
D. 238,139 12/1975 Goodrich D15/62
D. 238,849 2/1976 Jones D15/53
2,876,481 3/1959 Gerber et al. 15/351 X

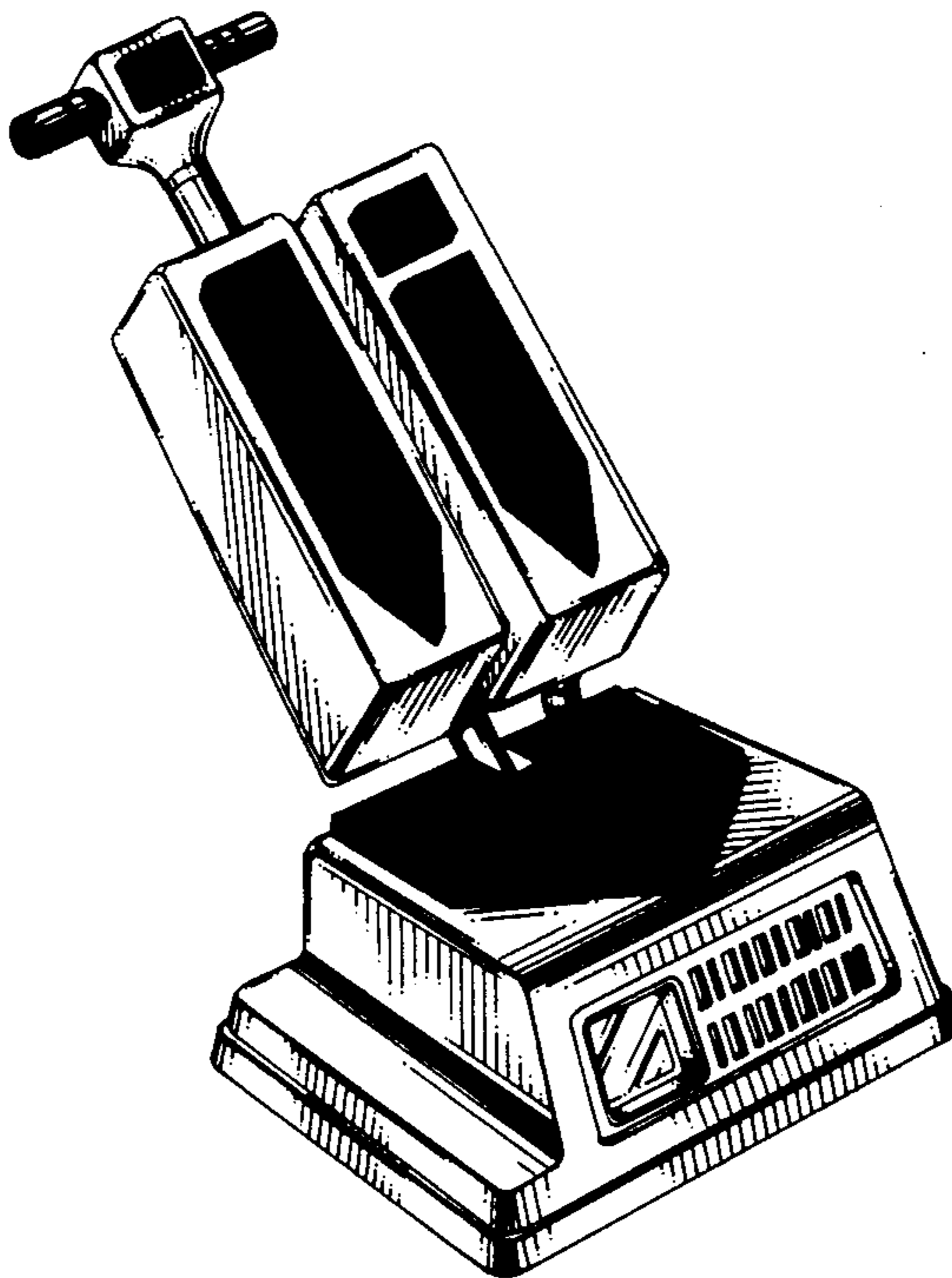
Primary Examiner—Wallace R. Burke
Assistant Examiner—Catherine Kemper
Attorney, Agent, or Firm—William C. Cahill

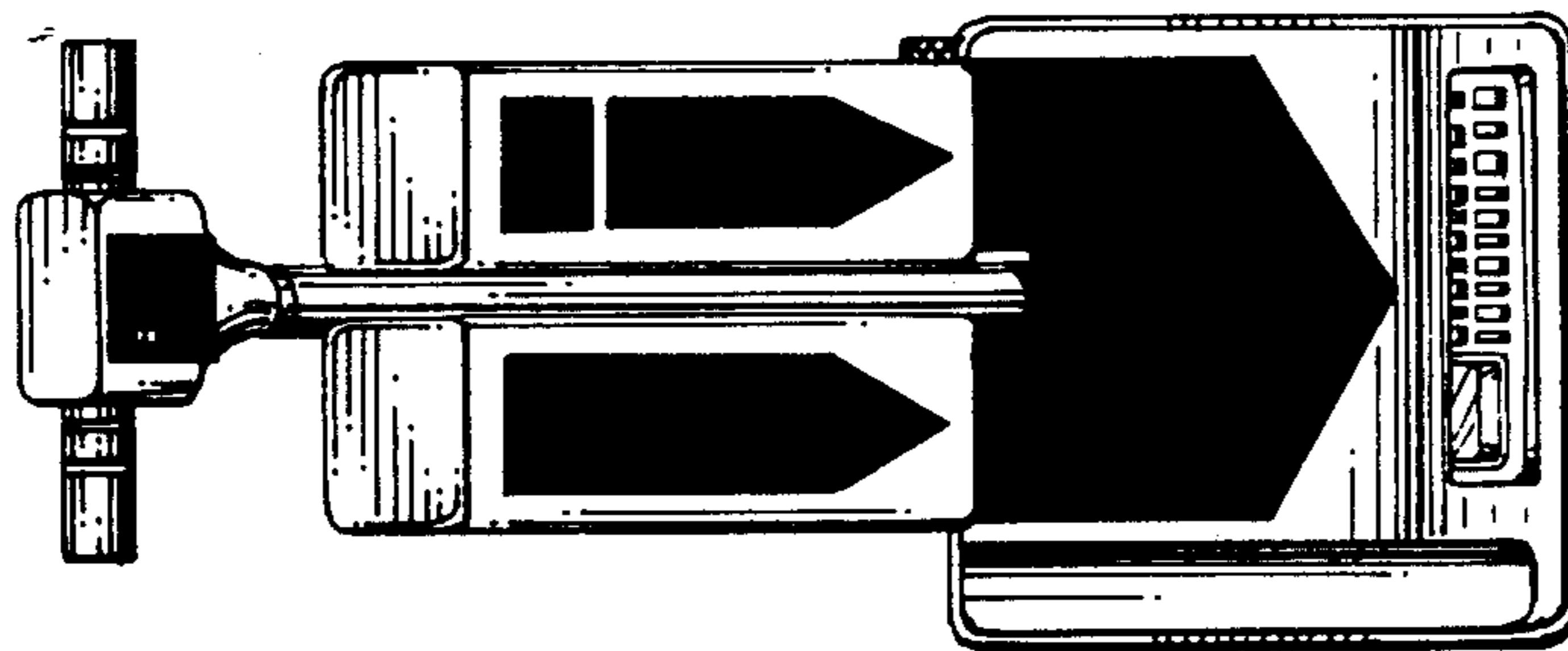
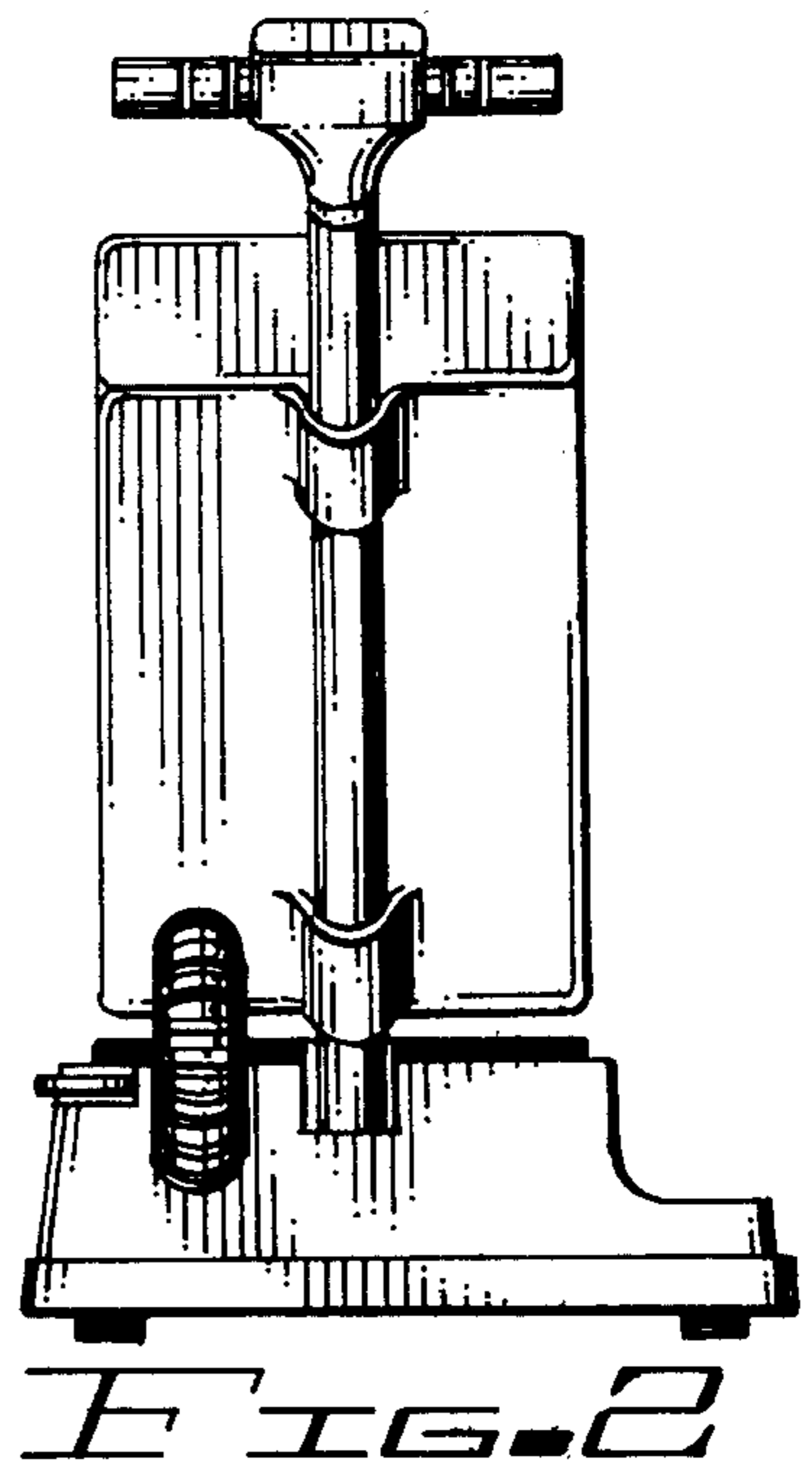
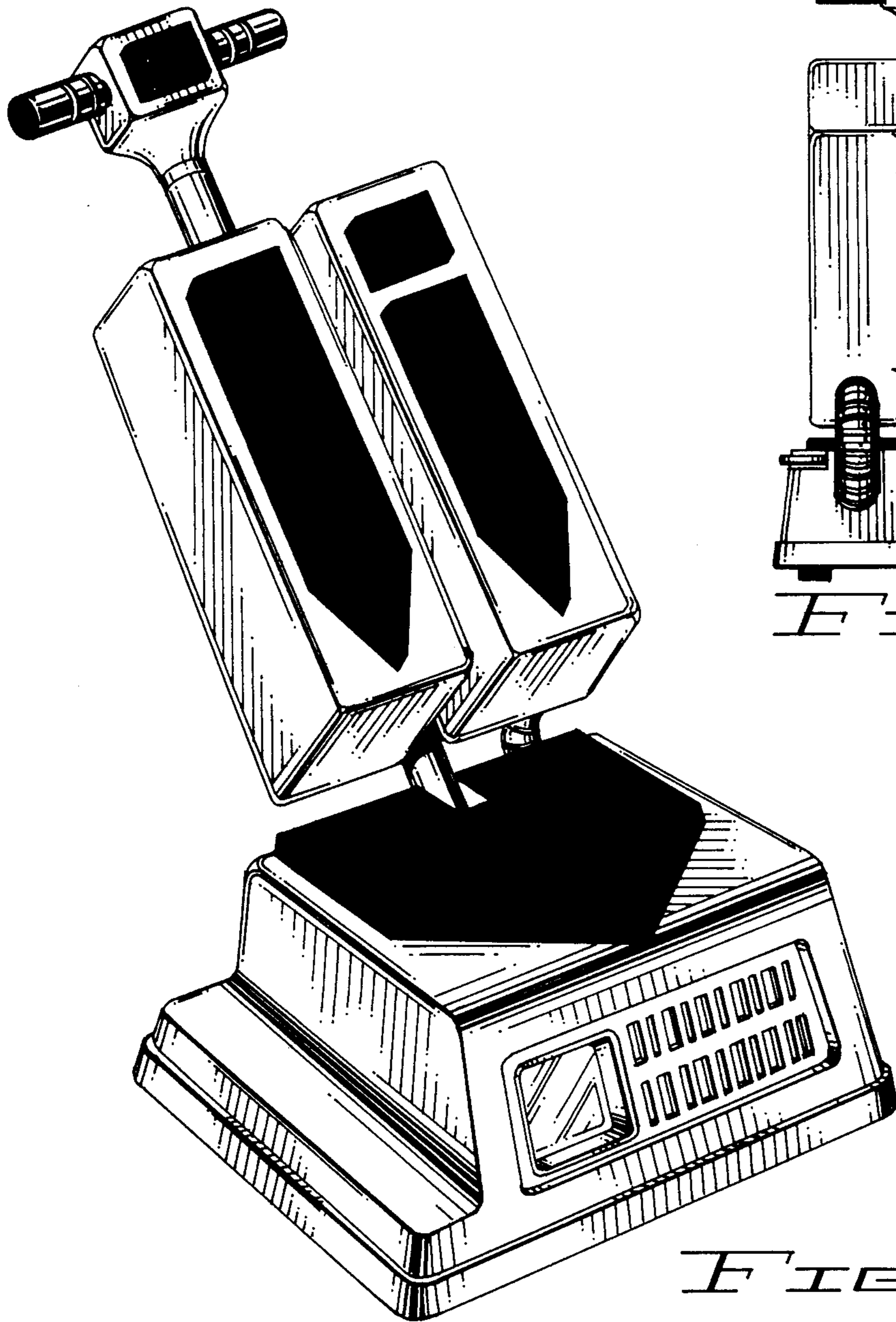
[57] CLAIM

The ornamental design for a carpet cleaning apparatus, as shown and described.

DESCRIPTION

FIG. 1 is a front perspective view of a carpet cleaning apparatus showing my new design; FIG. 2 is a rear elevational view thereof; FIG. 3 is a top plan view thereof; and FIG. 4 is a right side elevational view thereof.





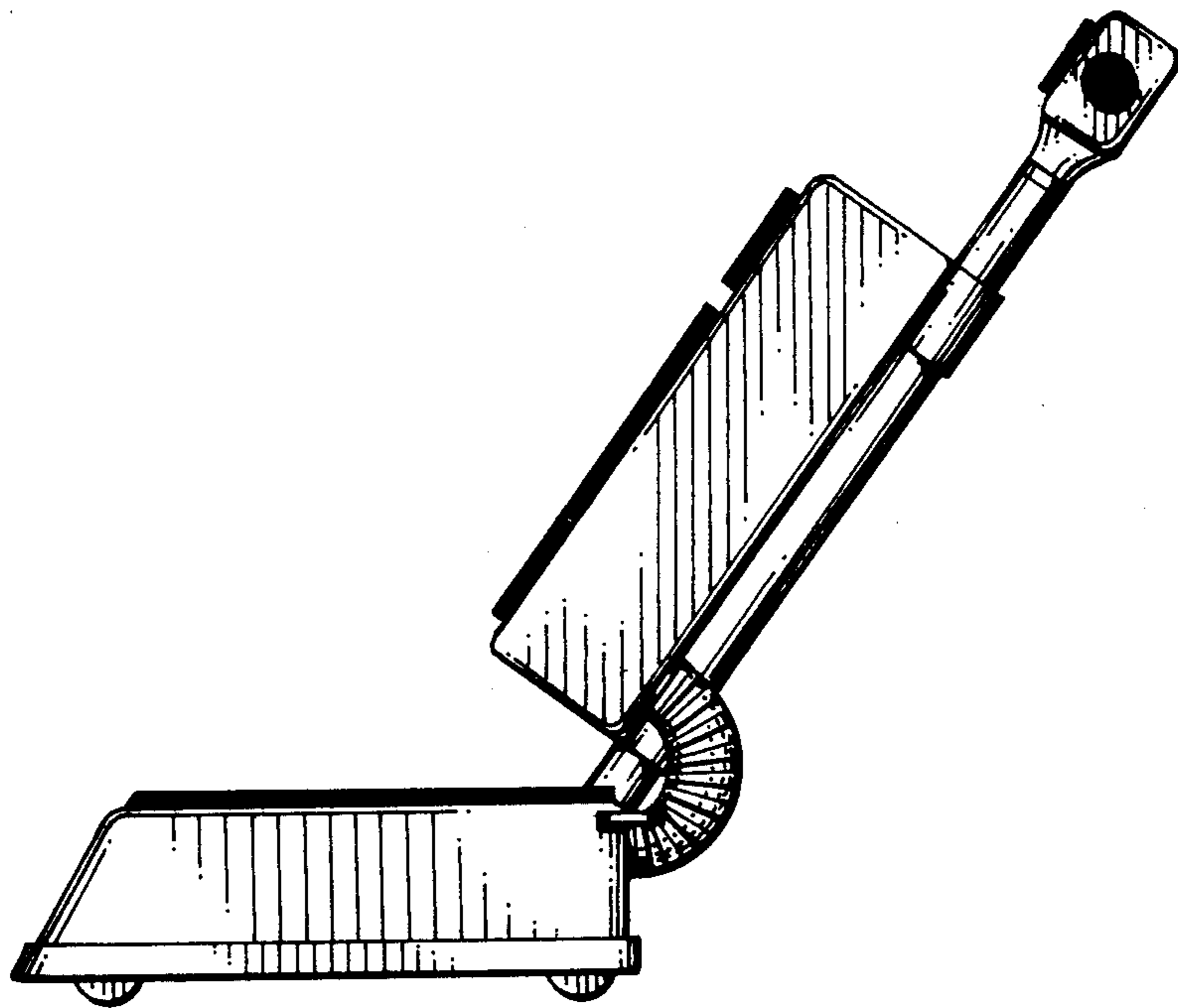


FIG. 4