

[54] PUMP

[76] Inventor: Jose P. Pages, Carretera de Mieras, s.n., Banyoles, Girona, Spain

[**] Term: 14 Years

[21] Appl. No.: 844,499

[22] Filed: Oct. 21, 1977

[51] Int. Cl. D15-02

[52] U.S. Cl. D15/7

[58] Field of Search D15/7, 8, 9; 417/424

[56] References Cited

U.S. PATENT DOCUMENTS

D. 195,535	6/1963	Rhoades	D15/7
D. 227,934	7/1973	Campbell	D15/7
D. 229,783	1/1974	Campbell	D15/7

D. 237,011	9/1975	Stroberg et al.	D15/7
3,685,926	8/1972	Blum	417/424
3,748,066	7/1973	Sully et al.	417/424
3,802,806	4/1974	Blum	417/424

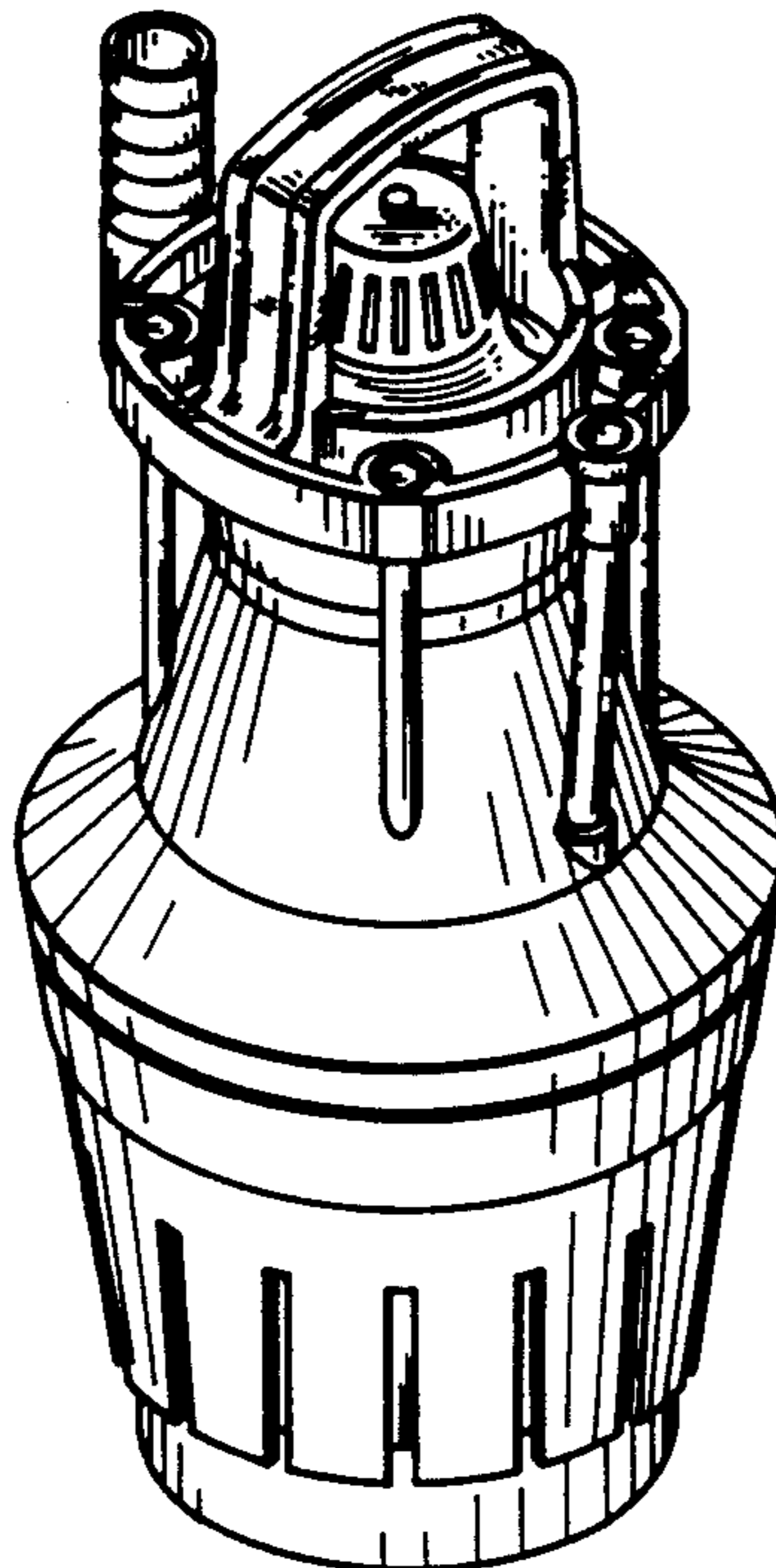
Primary Examiner—James R. Largen
Attorney, Agent, or Firm—Paul D. Flehr

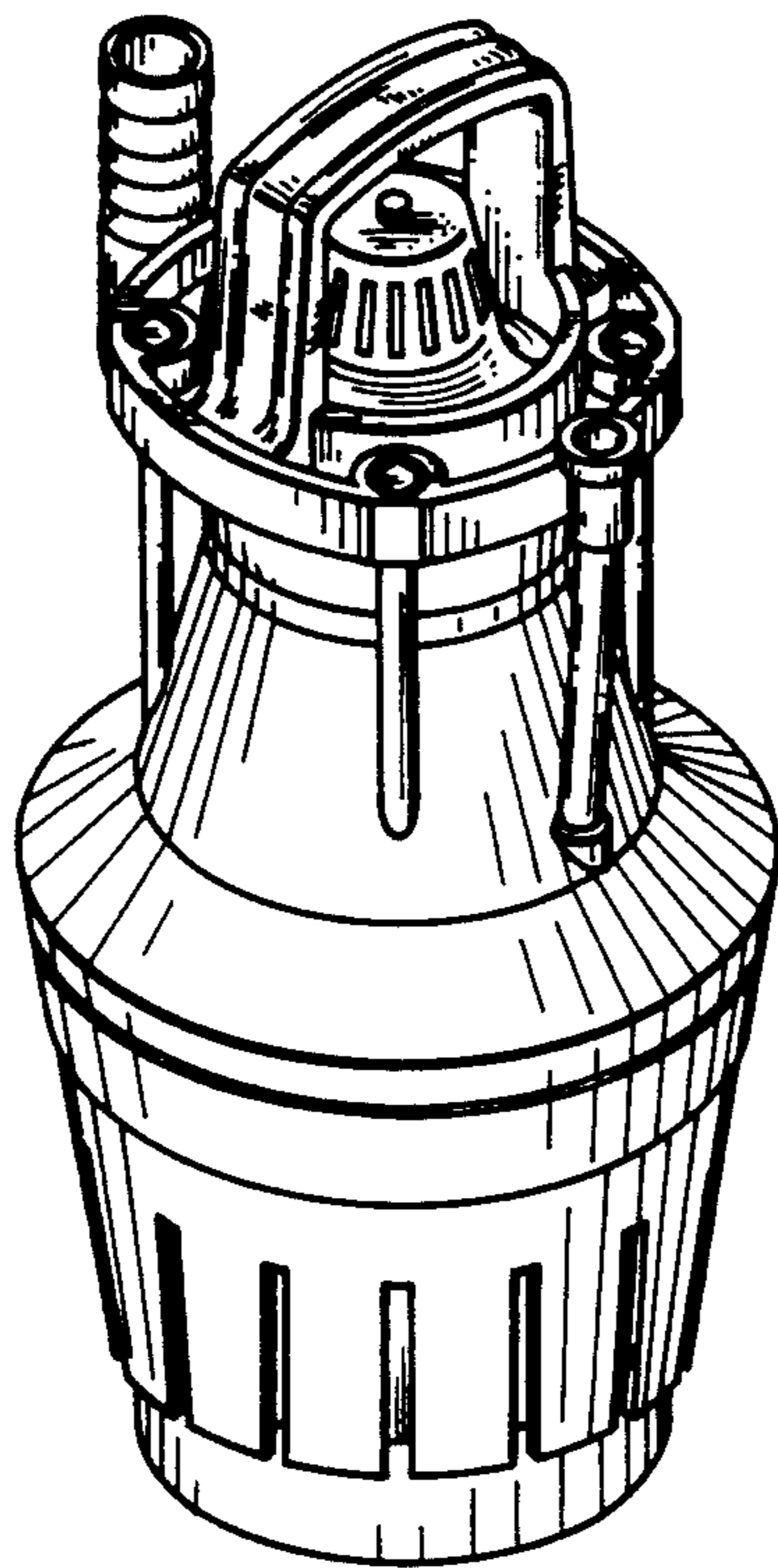
[57] CLAIM

The ornamental design for a pump, as shown.

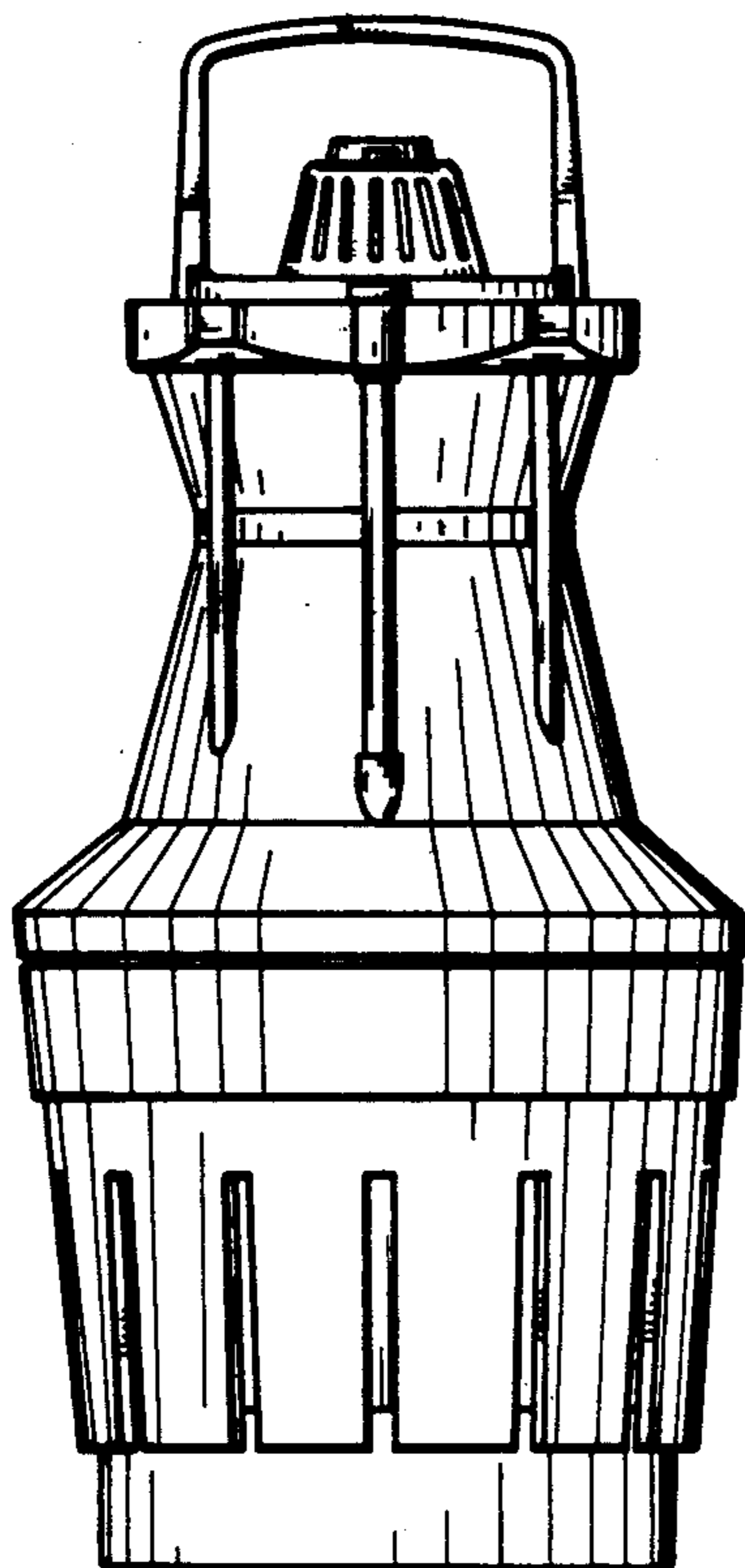
DESCRIPTION

FIG. 1 is a perspective view of a pump showing my new design;
FIG. 2 is a front elevational view thereof;
FIG. 3 is a rear elevational view thereof;
FIG. 4 is a top plan view thereof;
FIG. 5 is a left side elevational view thereof;
FIG. 6 is a right side elevational view thereof; and
FIG. 7 is a bottom plan view thereof.

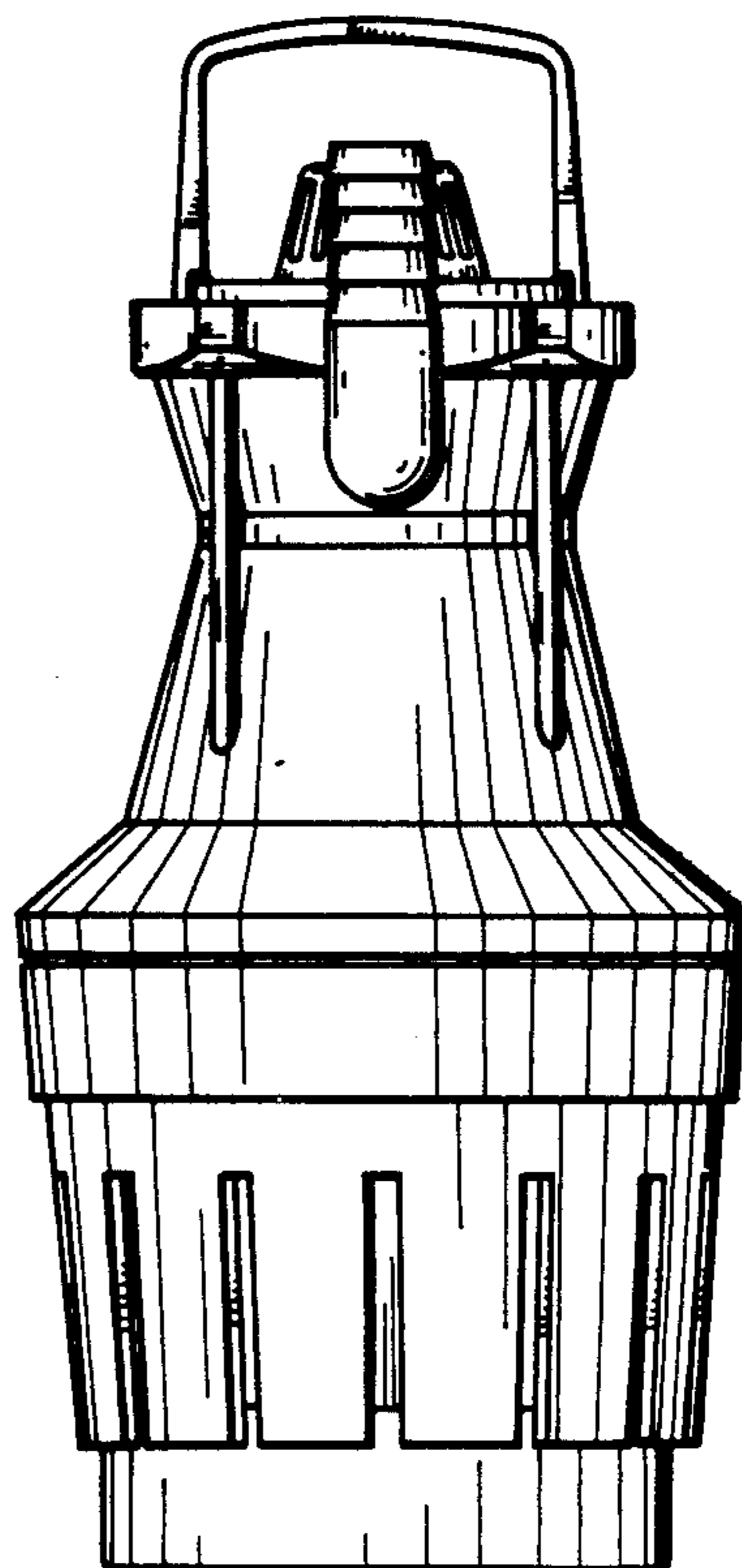




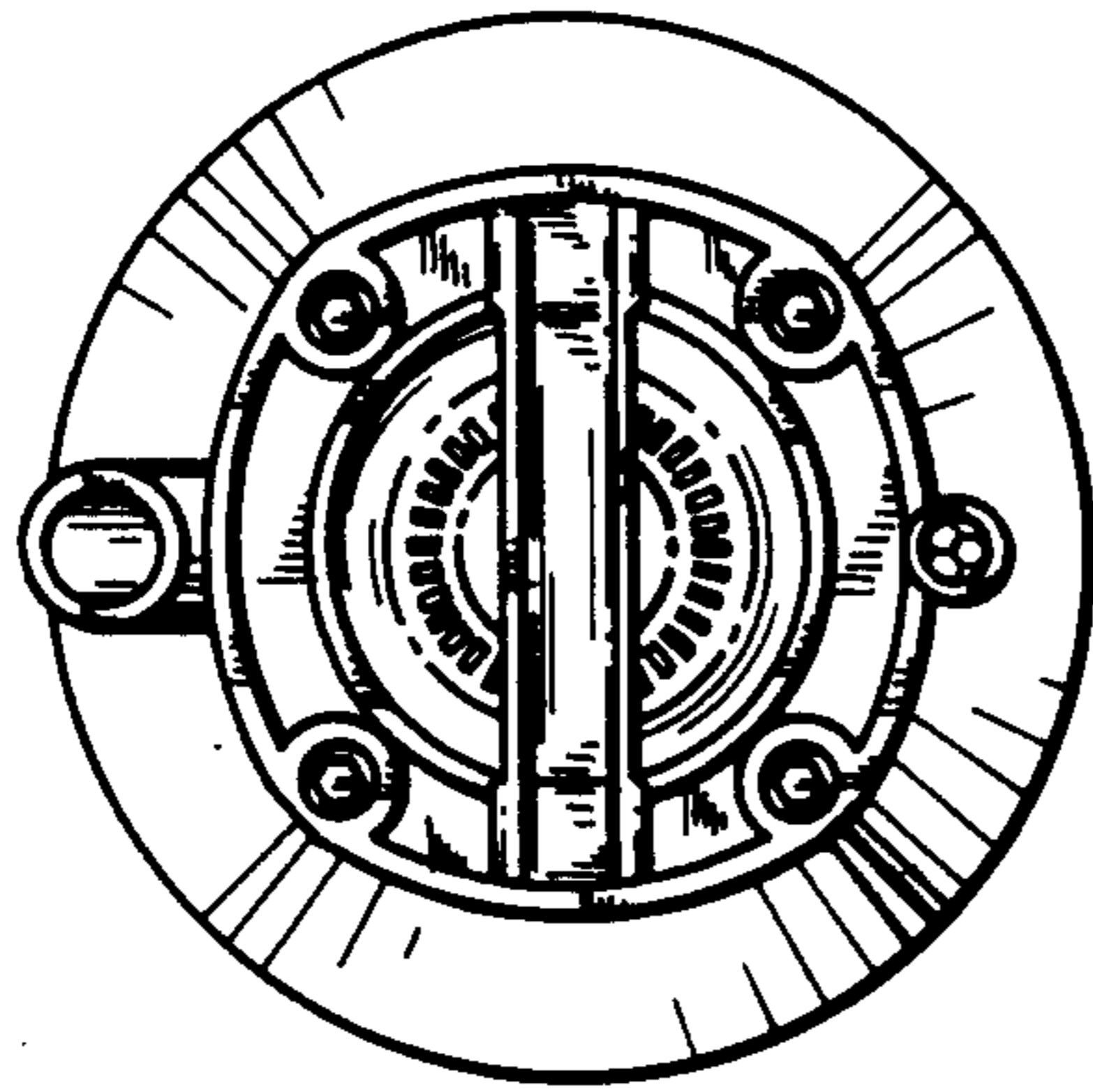
FIG_1



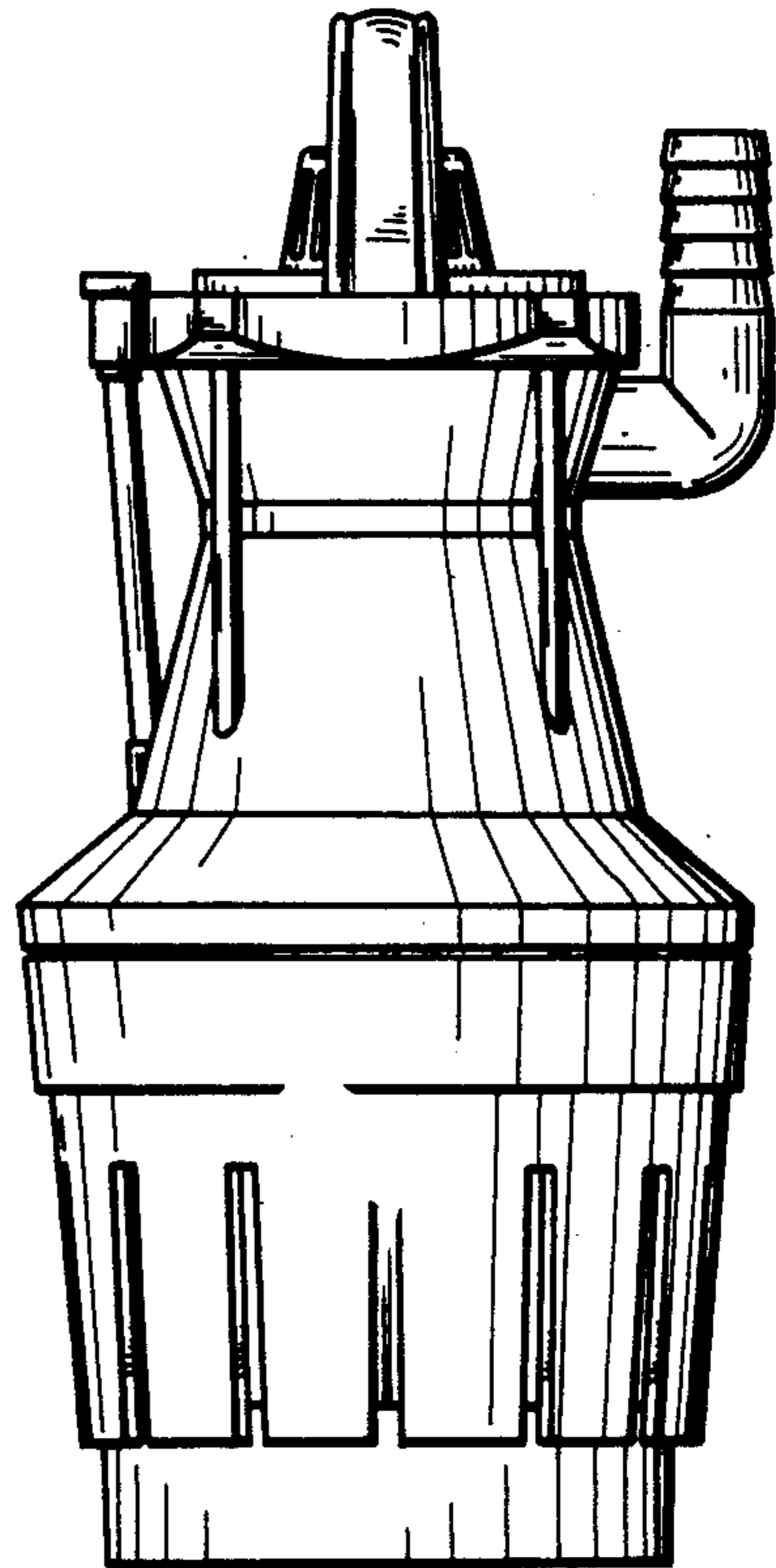
FIG_2



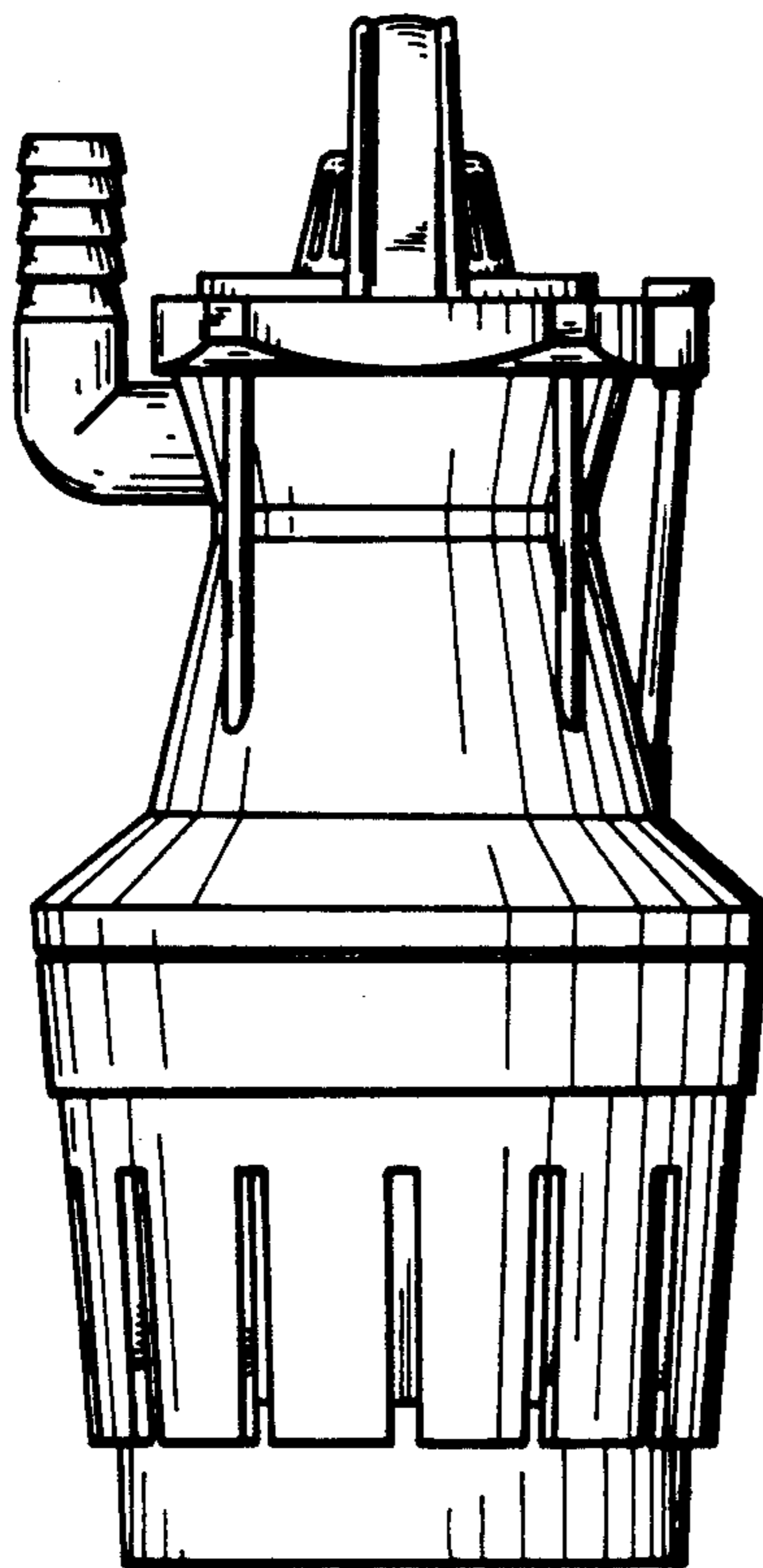
FIG_3



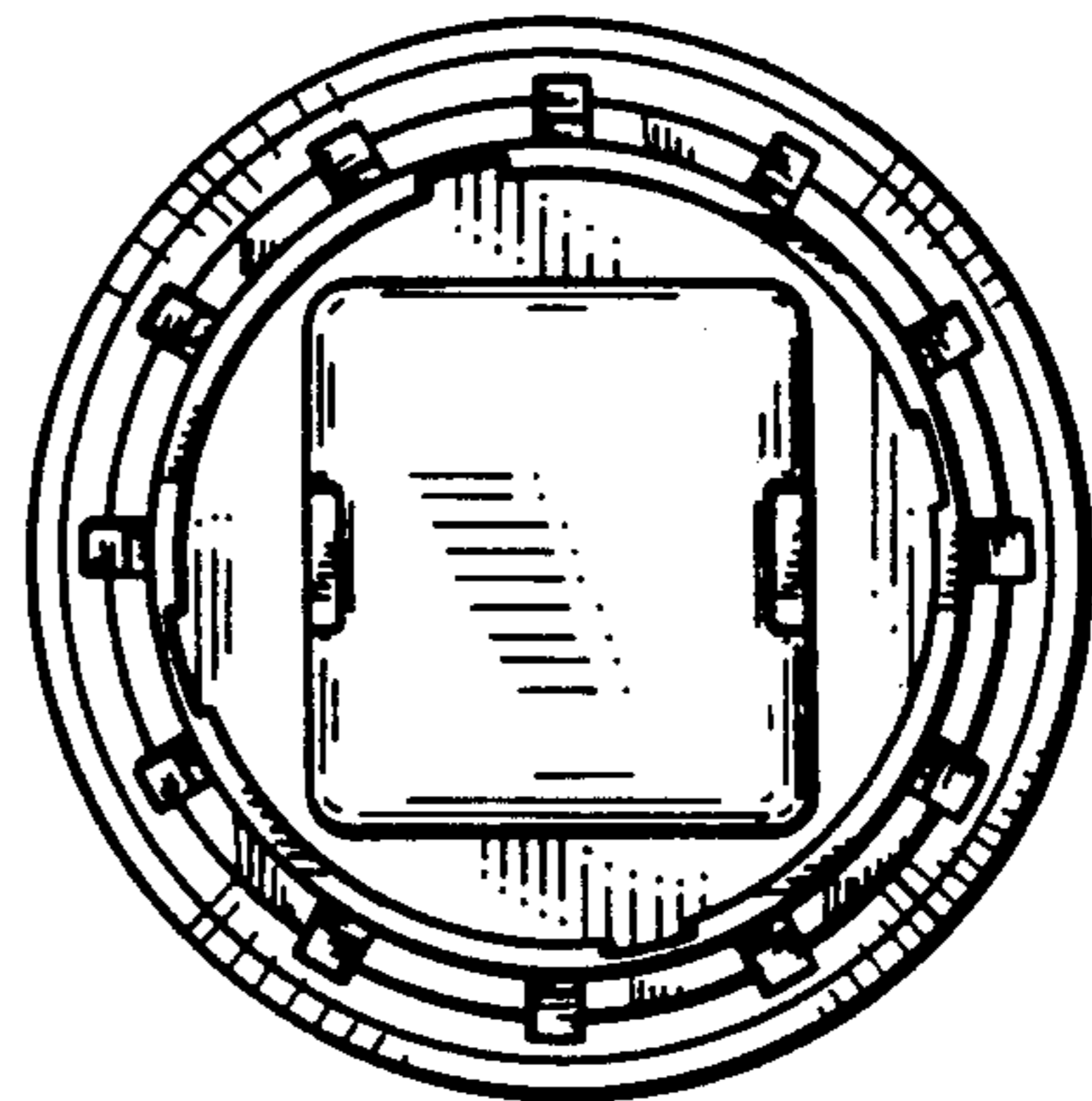
FIG_4



FIG_6



FIG_5



FIG_7