

[54] MOTORCYCLE

[75] Inventors: Koichiro Matsuoka, Tachikawa; Tsunemi Kawashima, Tokyo, both of Japan

[73] Assignee: Yamaha Hatsudoki Kabushiki Kaisha (Yamaha Motor Co., Ltd.), Iwata, Japan

[\*\*] Term: 14 Years

[21] Appl. No.: 751,329

[22] Filed: Dec. 16, 1976

[30] Foreign Application Priority Data

Jun. 16, 1976 [JP] Japan ..... 51-23011  
Nov. 18, 1976 [JP] Japan ..... 51-45324

[51] Int. Cl. .... D12-11

[52] U.S. Cl. .... D12/110

[58] Field of Search ..... D12/110; 180/33 R, 34, 180/31, 32

[56] References Cited  
PUBLICATIONS

Design, 10/56, P26, Motor Scooter, bottom right side of page.

Stile Industria, 2/62, P 19, Motor scooter, bottom of page.

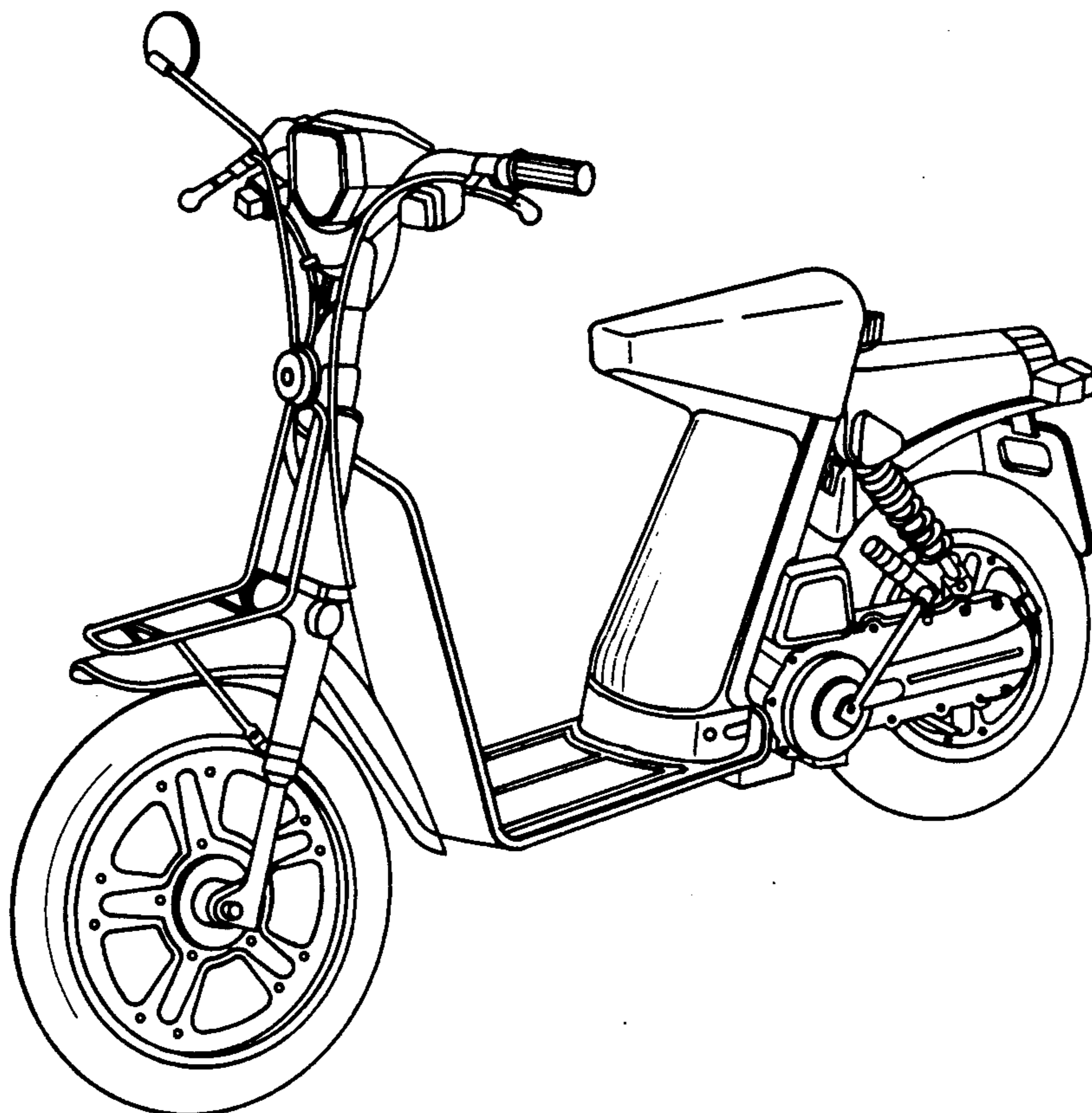
Primary Examiner—James M. Gandy  
Attorney, Agent, or Firm—John E. Lind

[57] CLAIM

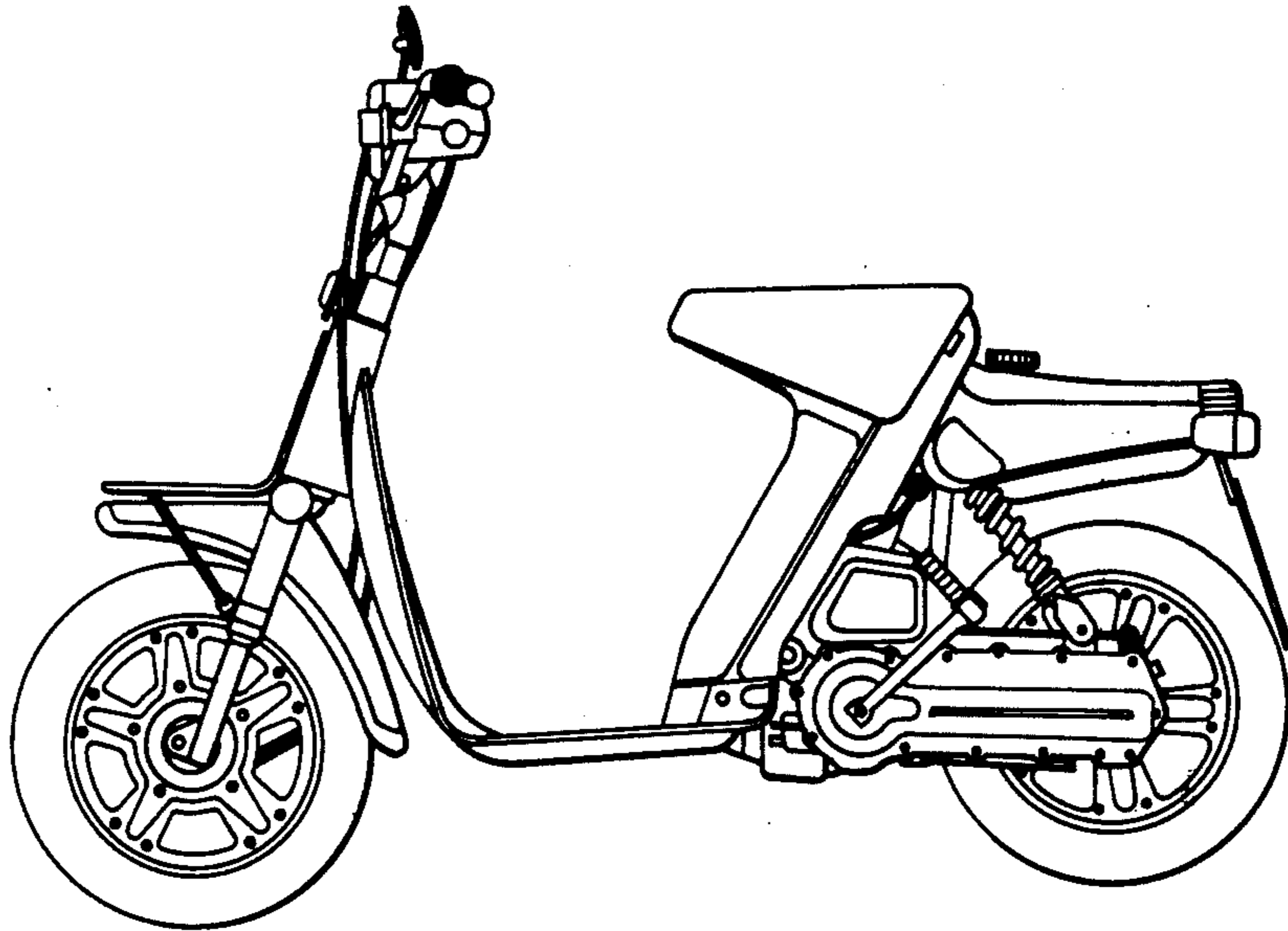
The ornamental design for a motorcycle, substantially as shown and described.

DESCRIPTION

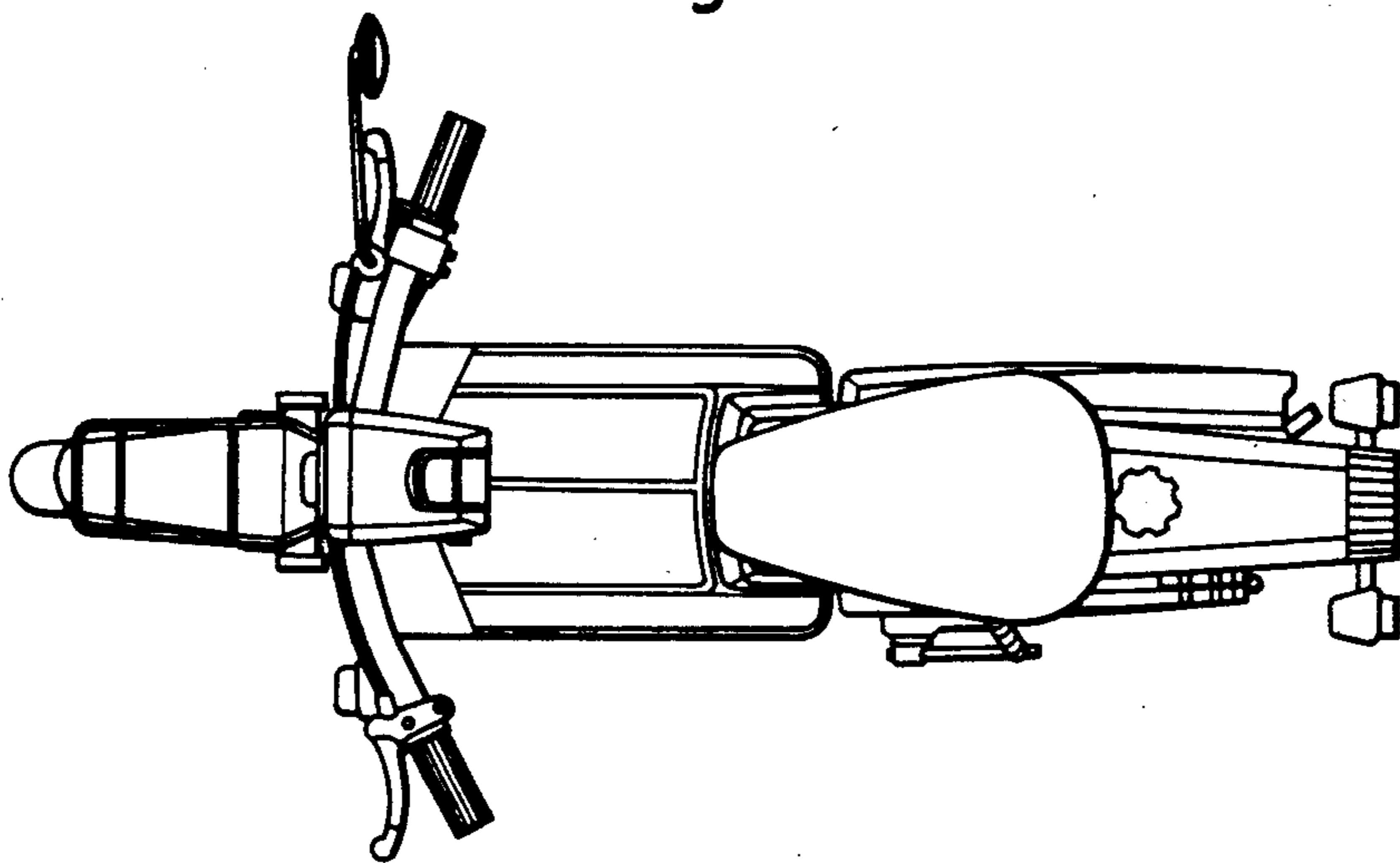
FIG. 1 is a left side perspective view of a motorcycle showing our new design;  
FIG. 2 is a right side perspective view thereof;  
FIG. 3 is a front perspective view thereof;  
FIG. 4 is a rear perspective view thereof;  
FIG. 5 is a top plan view thereof;  
FIG. 6 is a top, front and left side perspective view thereof;  
FIG. 7 is a left side perspective view of a motorcycle showing a second embodiment of our new design;  
FIG. 8 is a right side perspective view of FIG. 7;  
FIG. 9 is a front perspective view of FIG. 7;  
FIG. 10 is a rear perspective view of FIG. 7;  
FIG. 11 is a top plan view of FIG. 7; and  
FIG. 12 is a top, front and left side perspective view of FIG. 7.



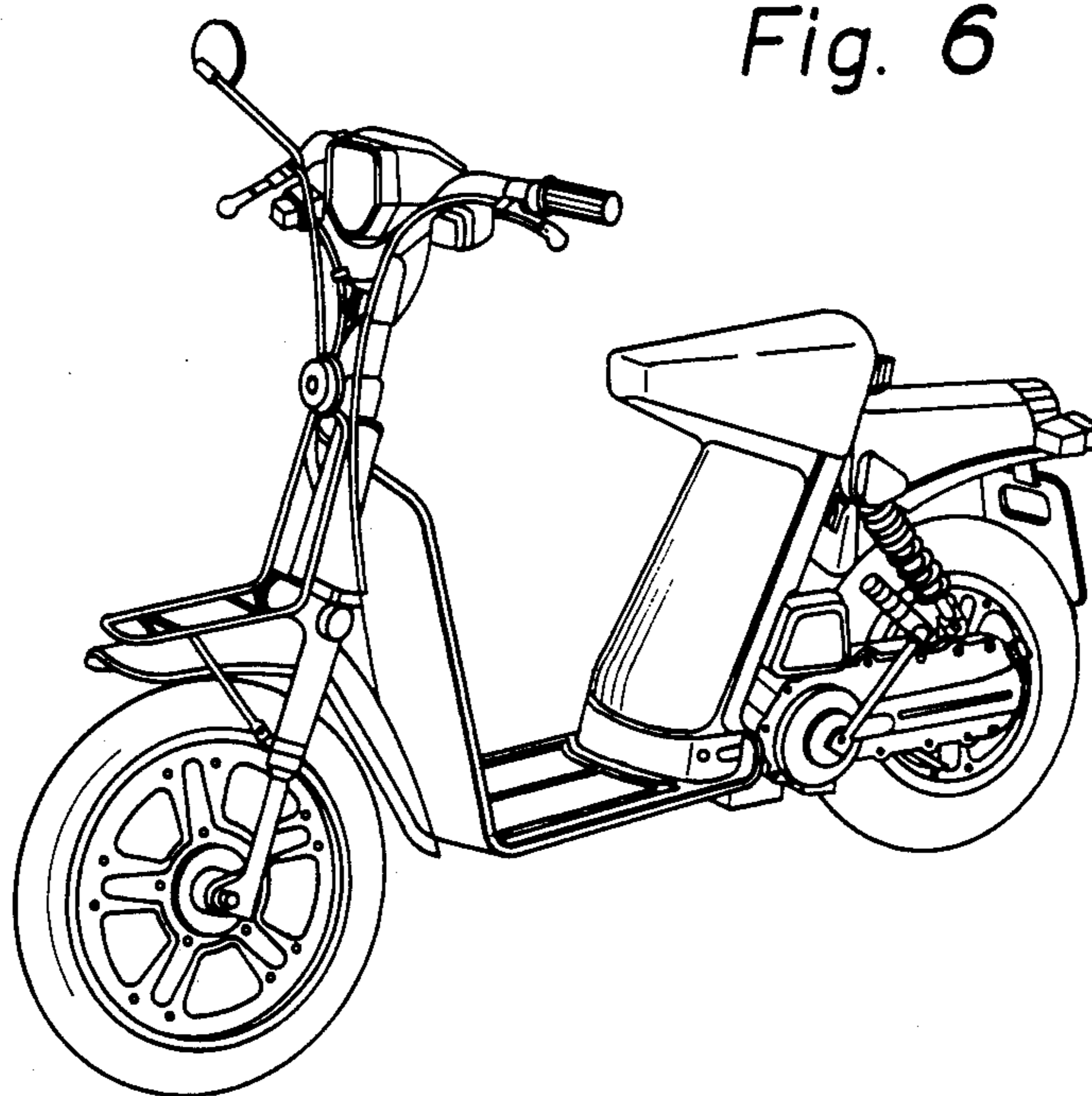
*Fig. 1*



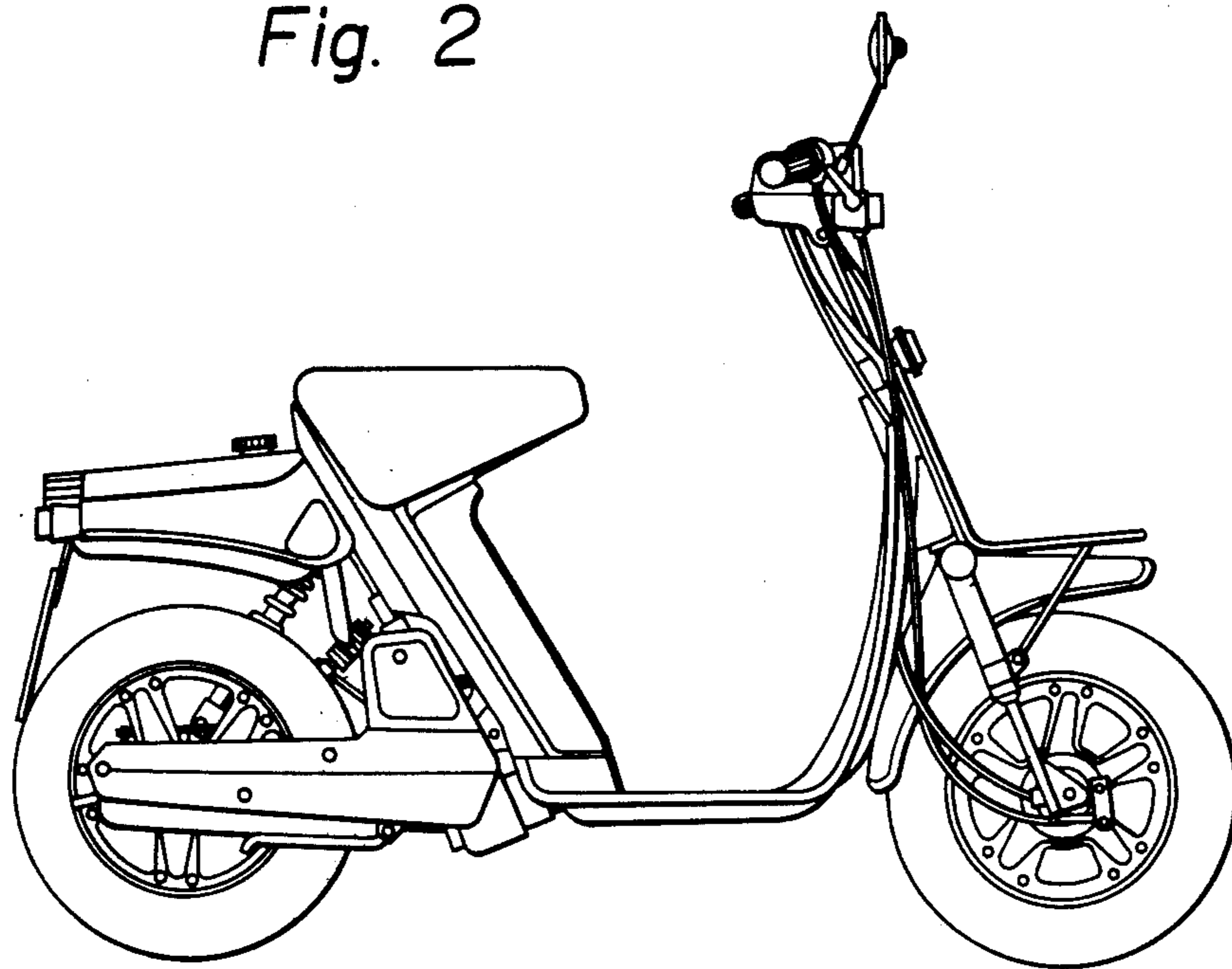
*Fig. 5*



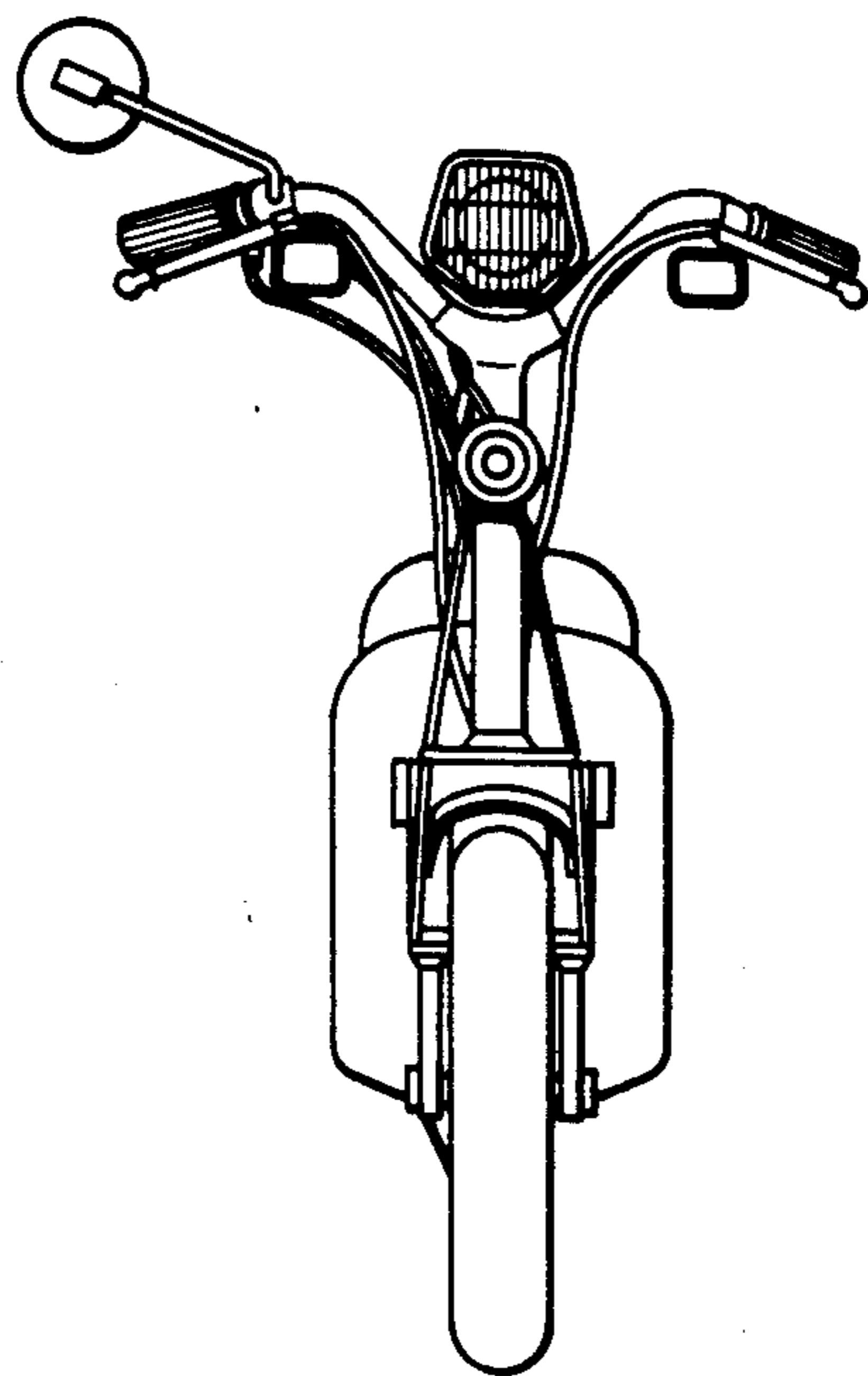
*Fig. 6*



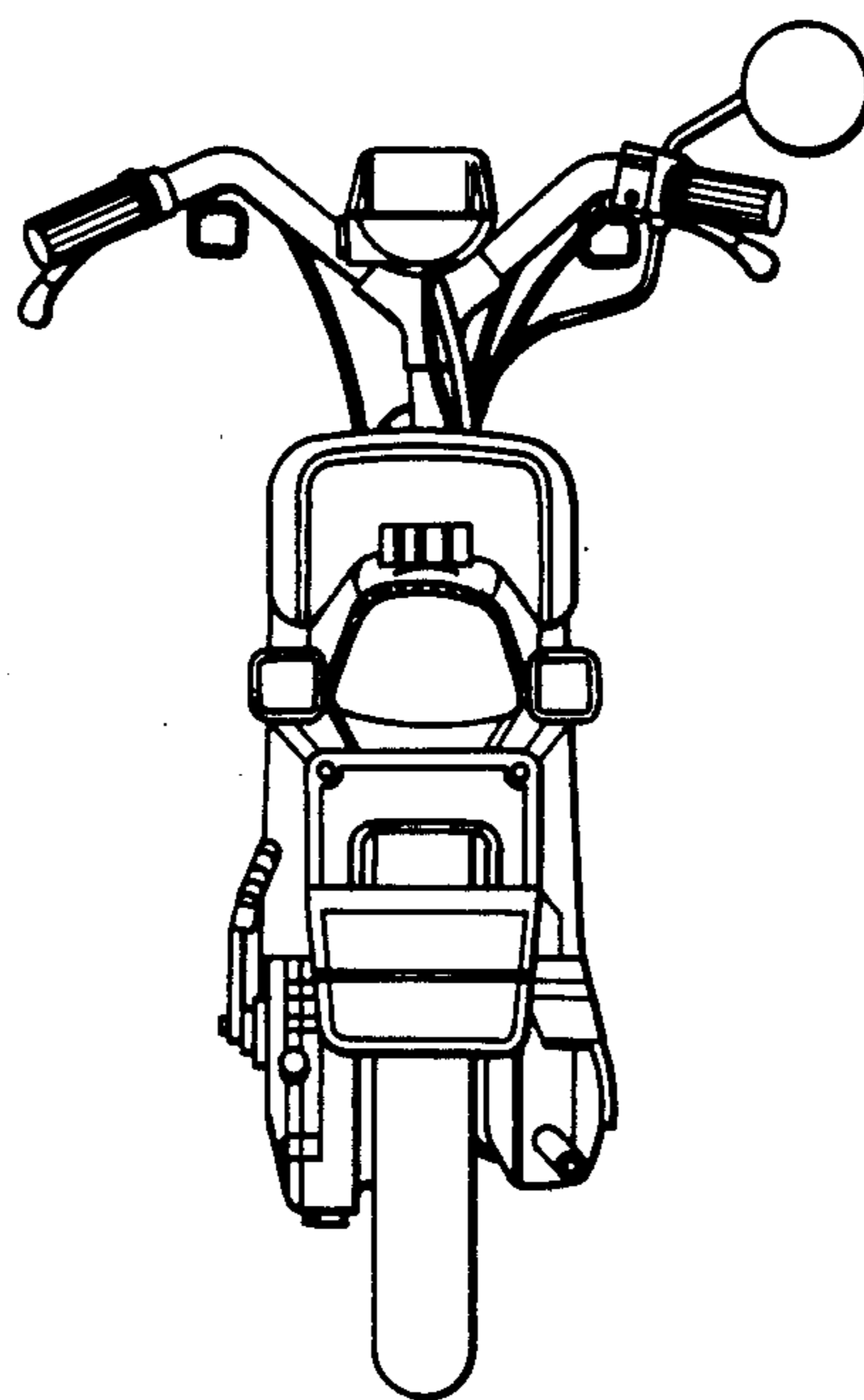
*Fig. 2*



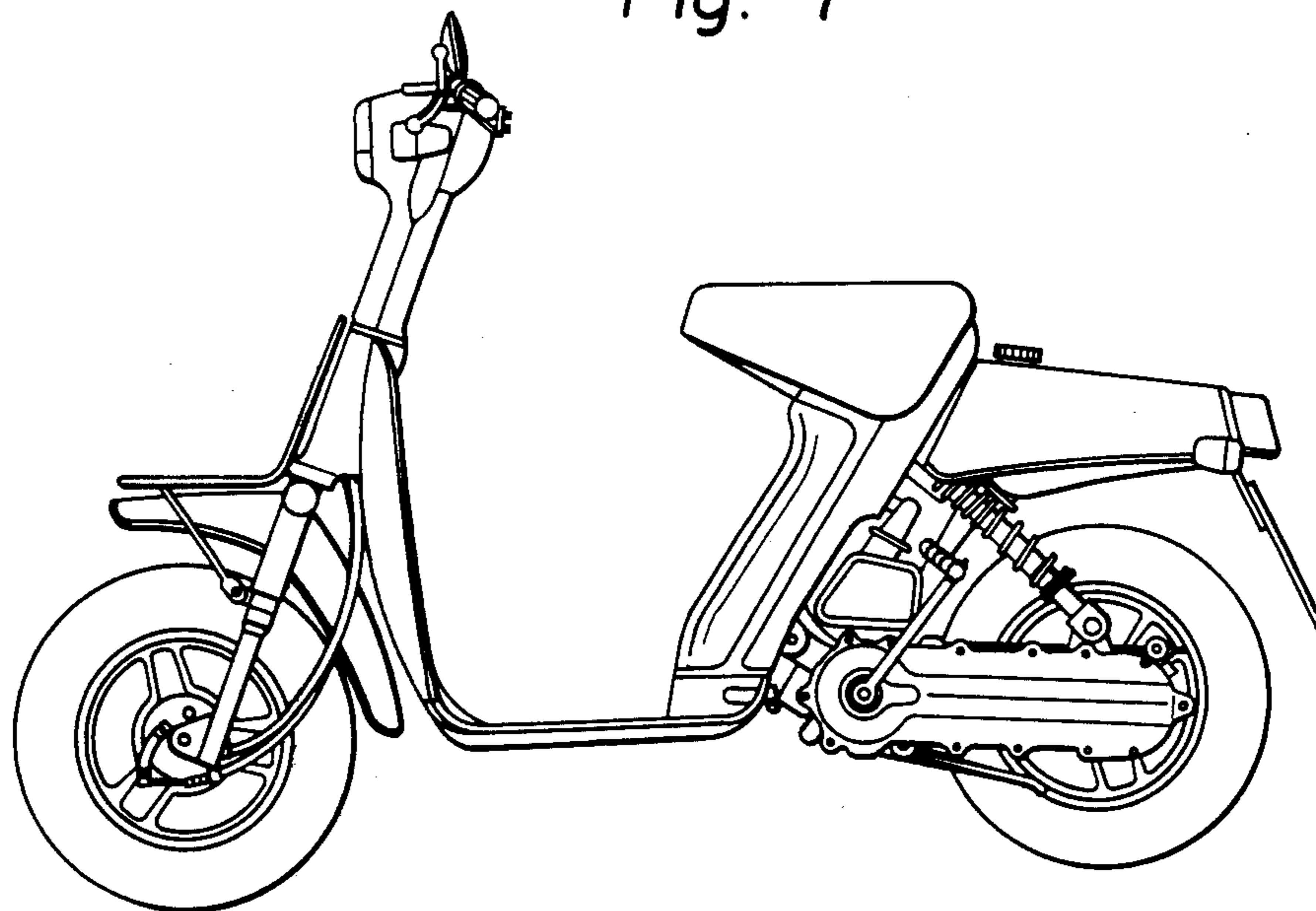
*Fig. 3*



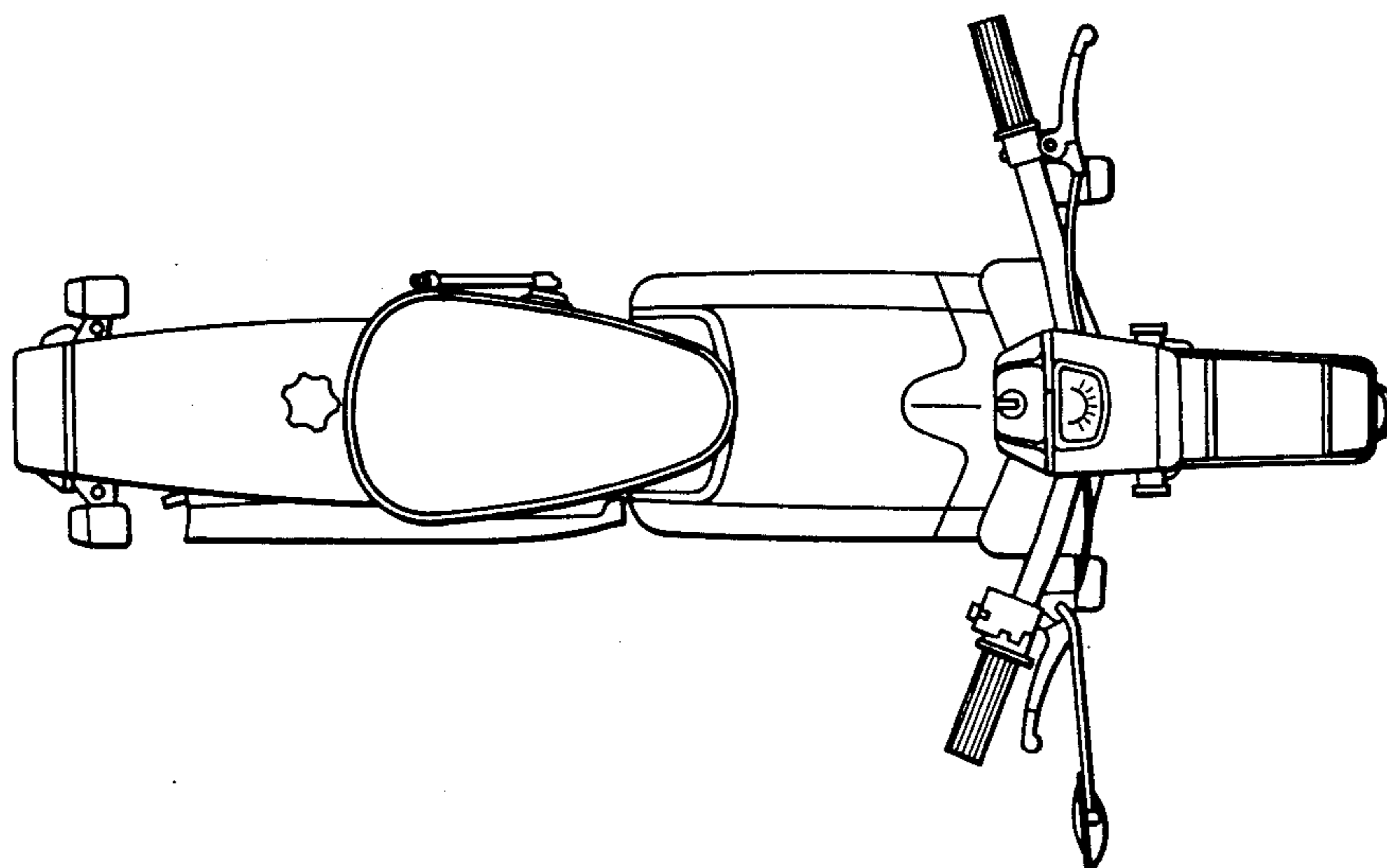
*Fig. 4*



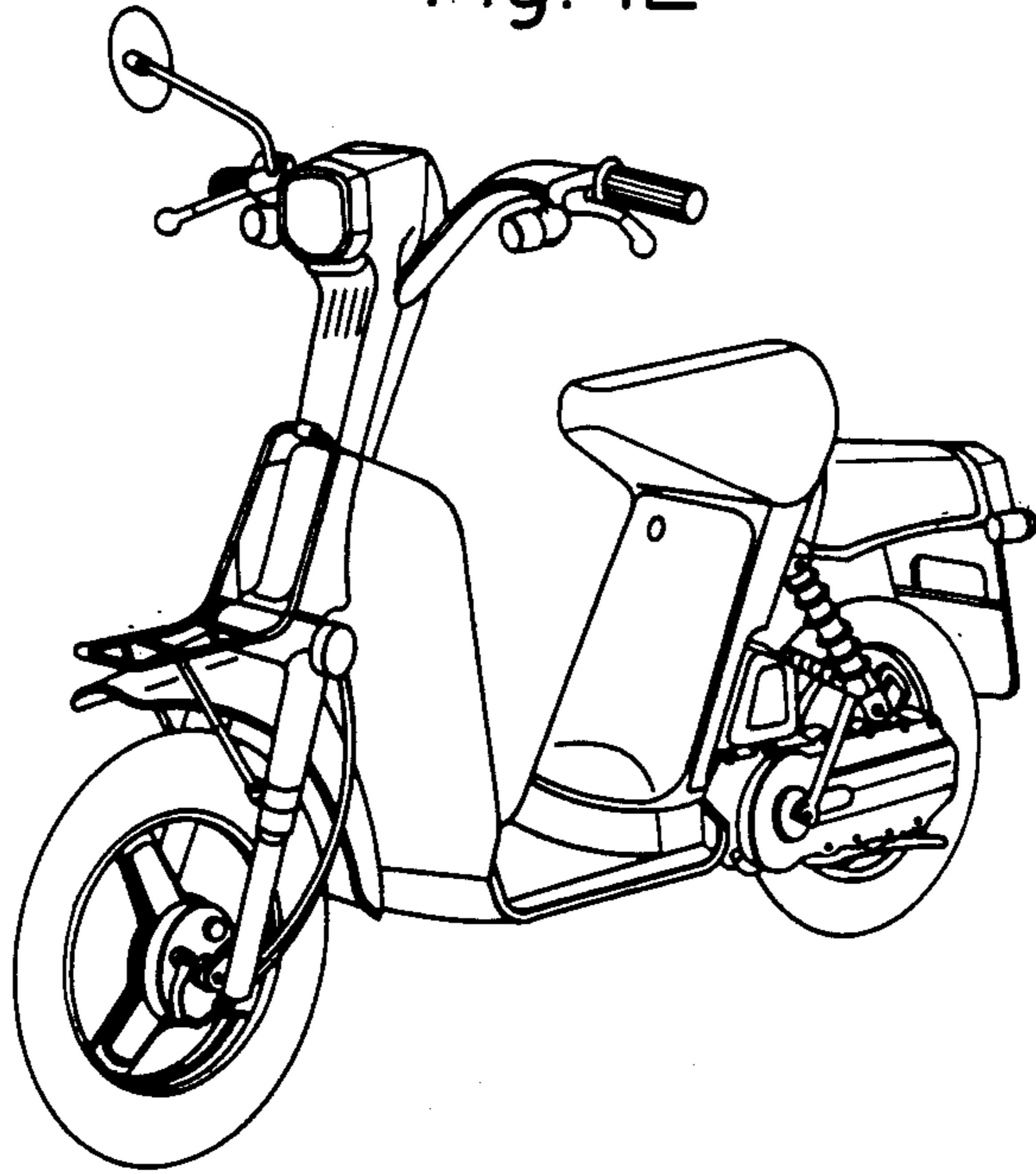
*Fig. 7*



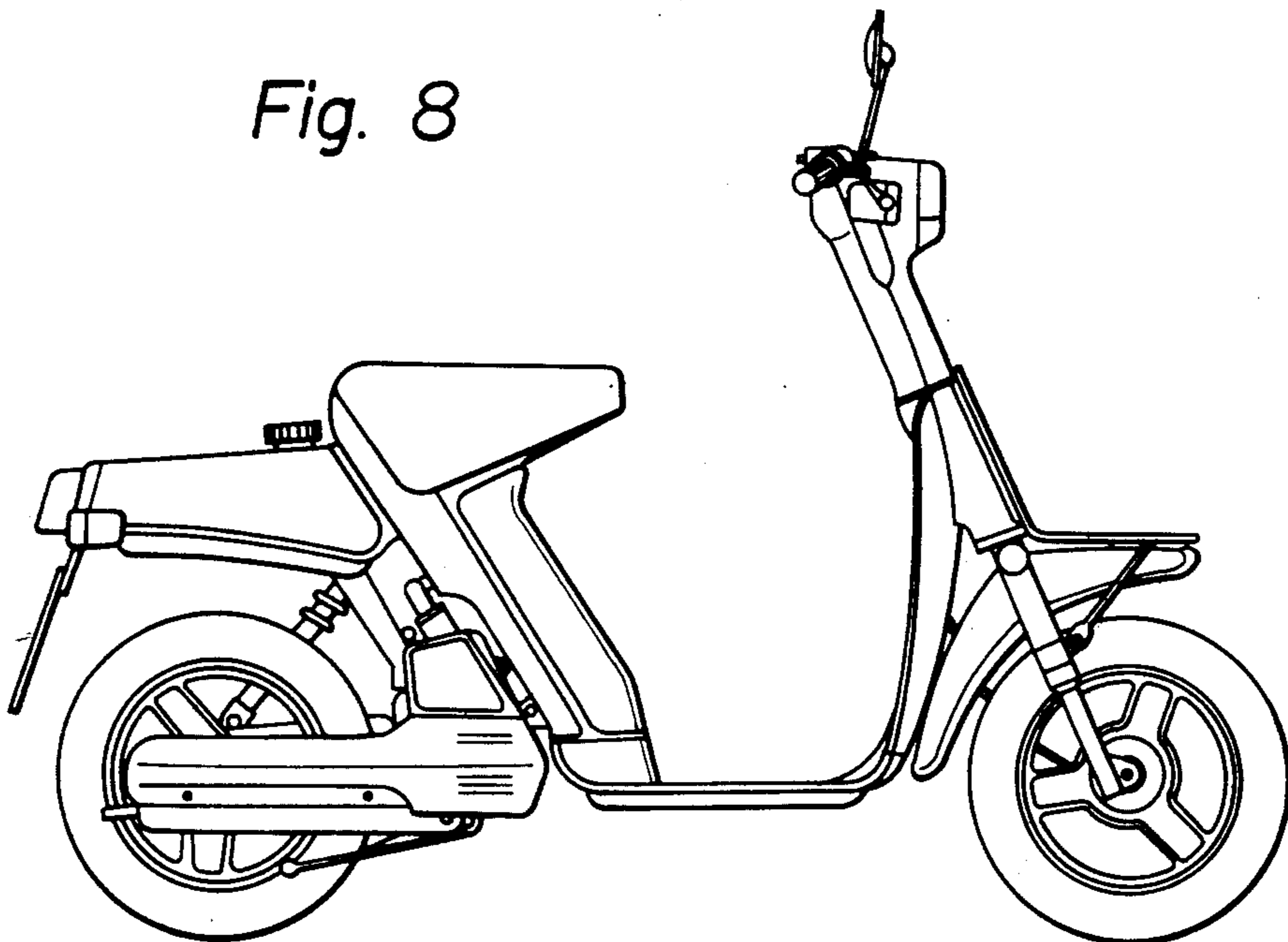
*Fig. 11*



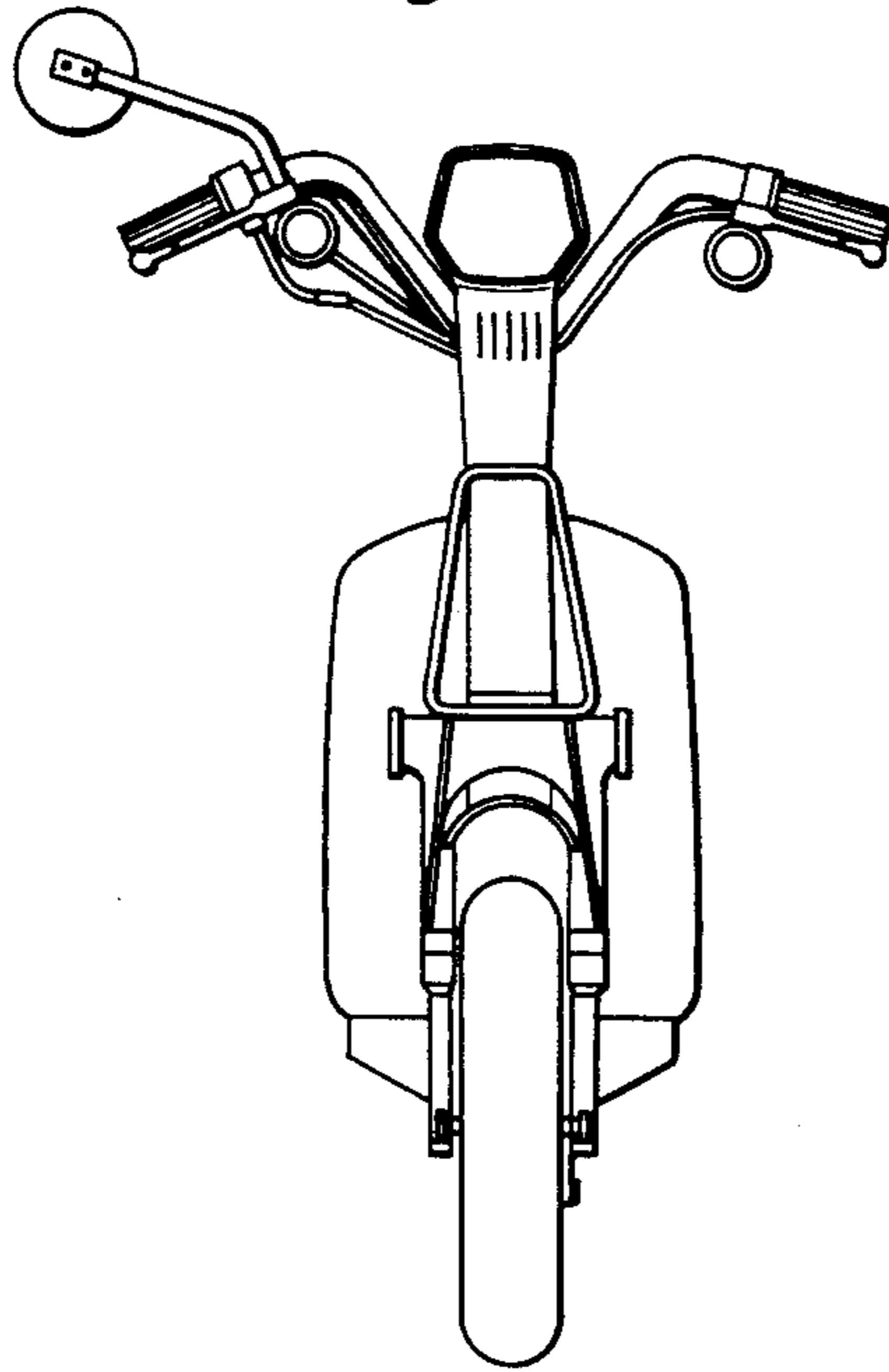
*Fig. 12*



*Fig. 8*



*Fig. 9*



*Fig. 10*

