

[54] VEHICLE SPEEDOMETER METRIC CONVERSION LABEL

[76] Inventor: Harry Chojna, 1 Dallas Ct., Hughesdale, Victoria, Australia

[**] Term: 14 Years

[21] Appl. No.: 723,437

[22] Filed: Sep. 15, 1976

[51] Int. Cl. D10-07

[52] U.S. Cl. D10/103; D10/98; D10/126; 116/334

[58] Field of Search D59/2 A; D96/12 R; D12/192; 73/432 AD; 116/116, 129 T; D10/103, 98, 122-125, 126, 127, 128

[56] References Cited

U.S. PATENT DOCUMENTS

D. 68,260	9/1925	Kent	D12/192
D. 74,667	3/1928	Evans	D12/192
D. 89,971	5/1933	Necy	D12/192
2,966,952	1/1961	Wilfert	D12/192

Primary Examiner—Nelson C. Holtje
Attorney, Agent, or Firm—F. R. Thienpont

[57] CLAIM

The ornamental design for vehicle speedometer metric conversion label, substantially as shown and described.

DESCRIPTION

FIG. 1 is a front elevational view of a vehicle speedometer metric conversion label showing my new design; FIG. 2 is a side elevational view thereof.

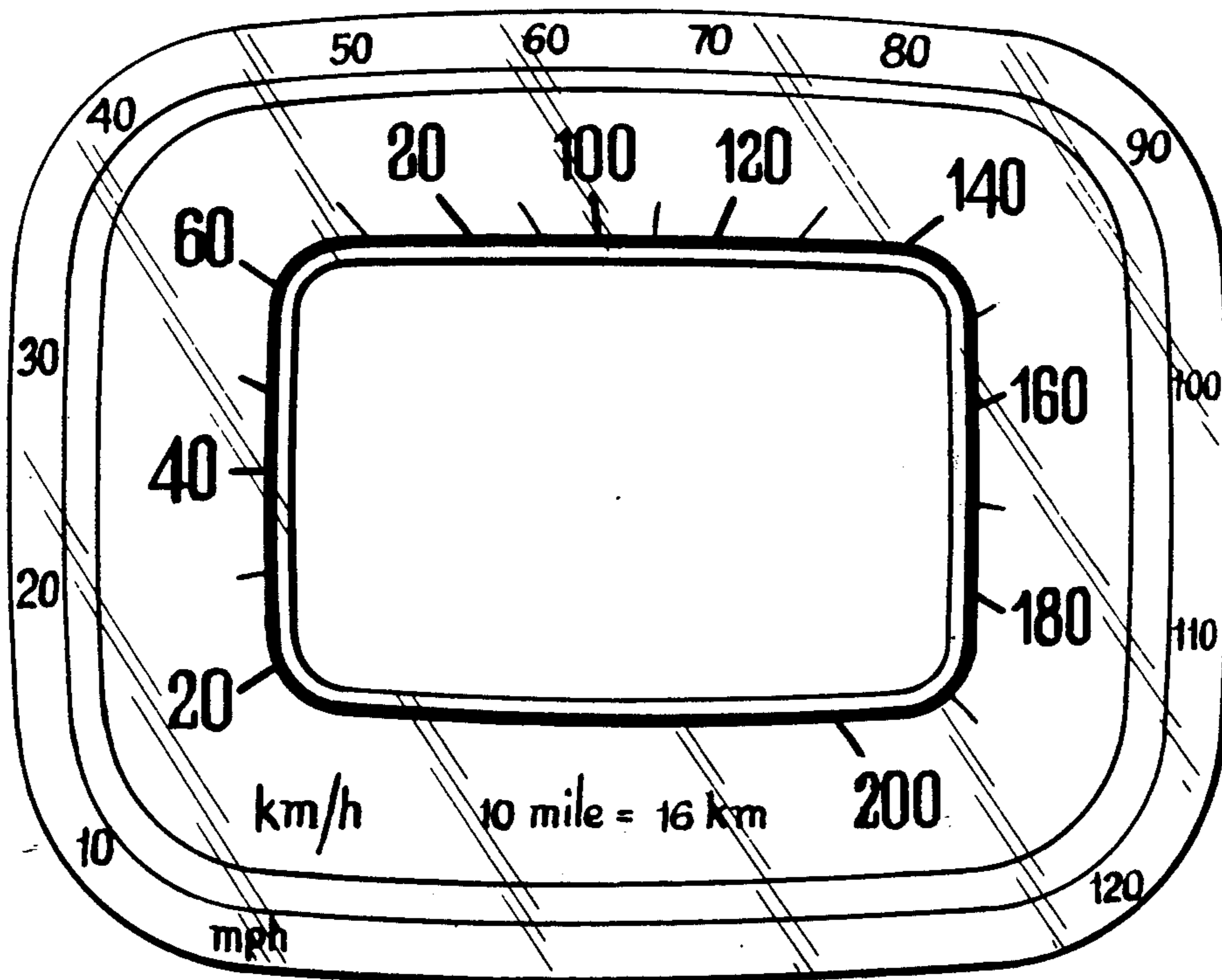


Fig. 1.

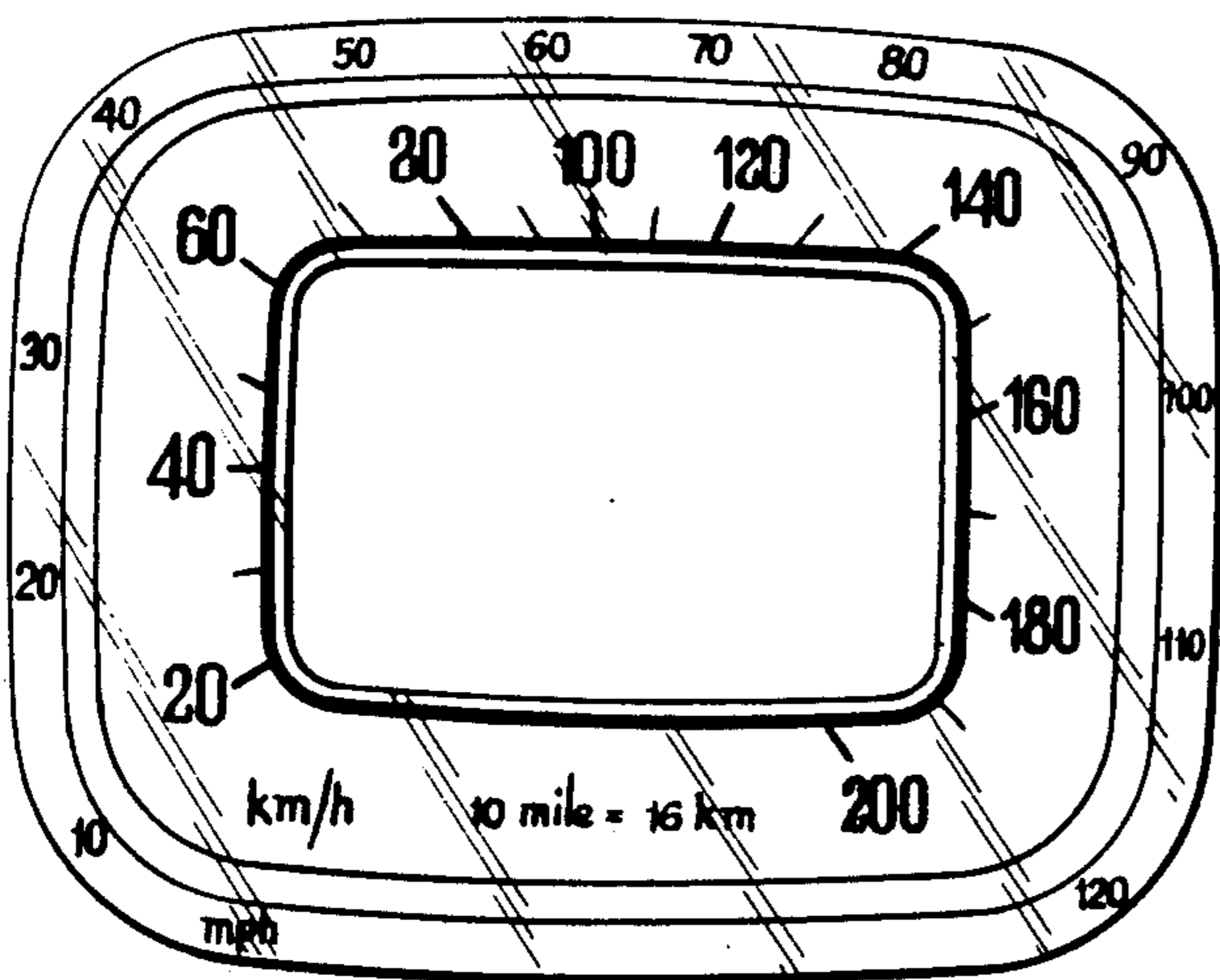


Fig. 2.

