

[54] SUPPORT FOR USE WITH ELECTRONIC COMPUTER UNITS

[75] Inventor: David A. O'Connor, Virginia Beach, Va.

[73] Assignee: Virginia Bankshares, Inc.

[**] Term: 14 Years

[21] Appl. No.: 880,985

[22] Filed: Feb. 24, 1978

Related U.S. Application Data

[62] Division of Ser. No. 669,604, Mar. 23, 1976.

[51] Int. Cl. D6-99

[52] U.S. Cl. D6/85; D6/157; D6/186; D6/190

[58] Field of Search D6/164, 191, 181, 186, D6/158, 159, 85, 162, 165, 166, 167, 169; 312/197, 198, 107

[56] References Cited

U.S. PATENT DOCUMENTS

3,948,581 4/1976 Helman et al. 312/198

Primary Examiner—Bruce W. Dunkins

Attorney, Agent, or Firm—Edward J. Kondracki

[57] CLAIM

The ornamental design for a support for use with electronic computer units, substantially as shown.

DESCRIPTION

FIG. 1 is an overhead perspective view of a support for use with electronic computer units showing my new design;

FIG. 2 is a modified form of the invention shown in FIG. 1;

FIG. 3 is a further modified form of the FIG. 1 invention; and

FIG. 4 is a view in side elevation of the invention shown in FIG. 1.

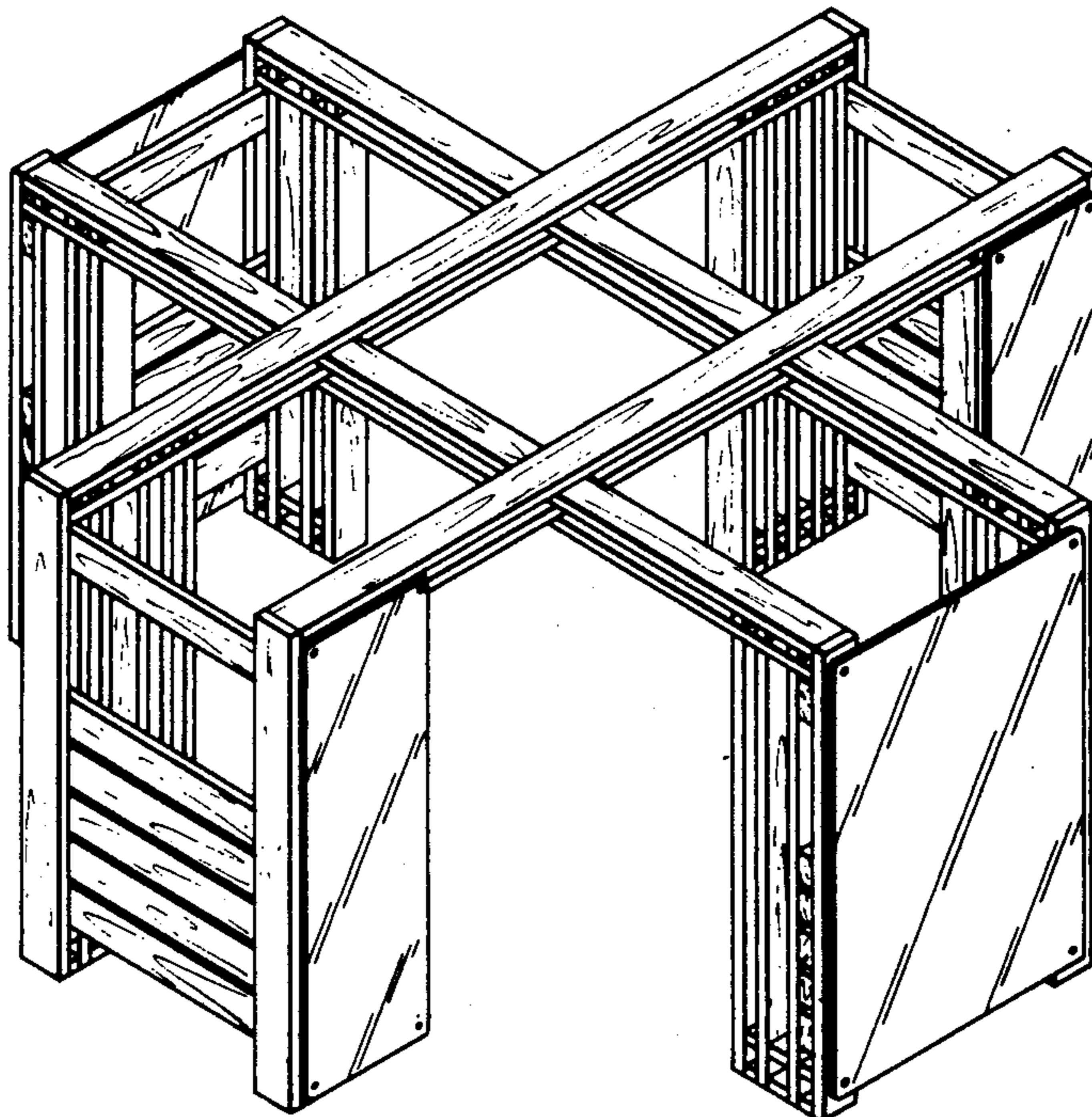


FIG. 1.

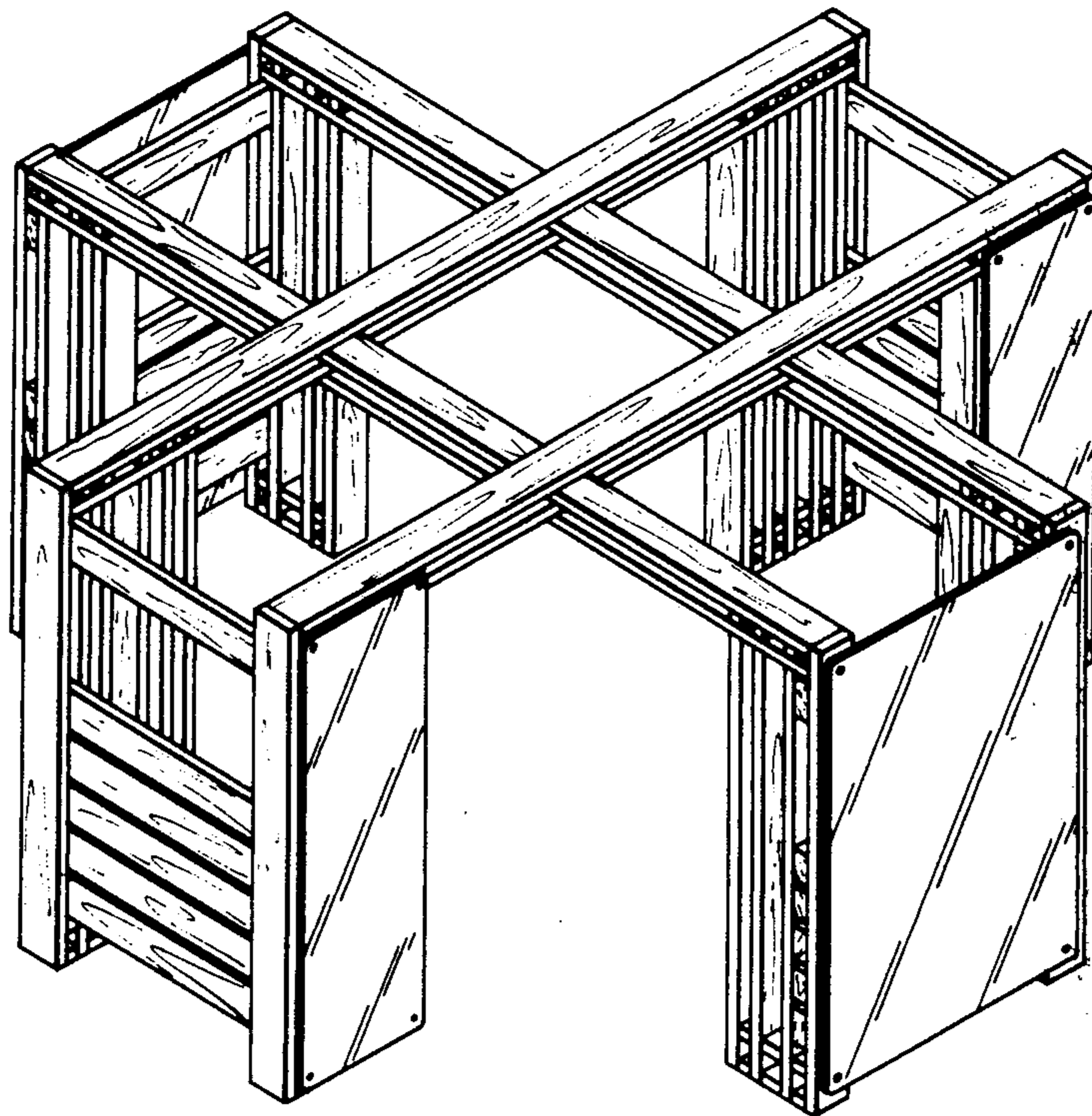


FIG. 2.

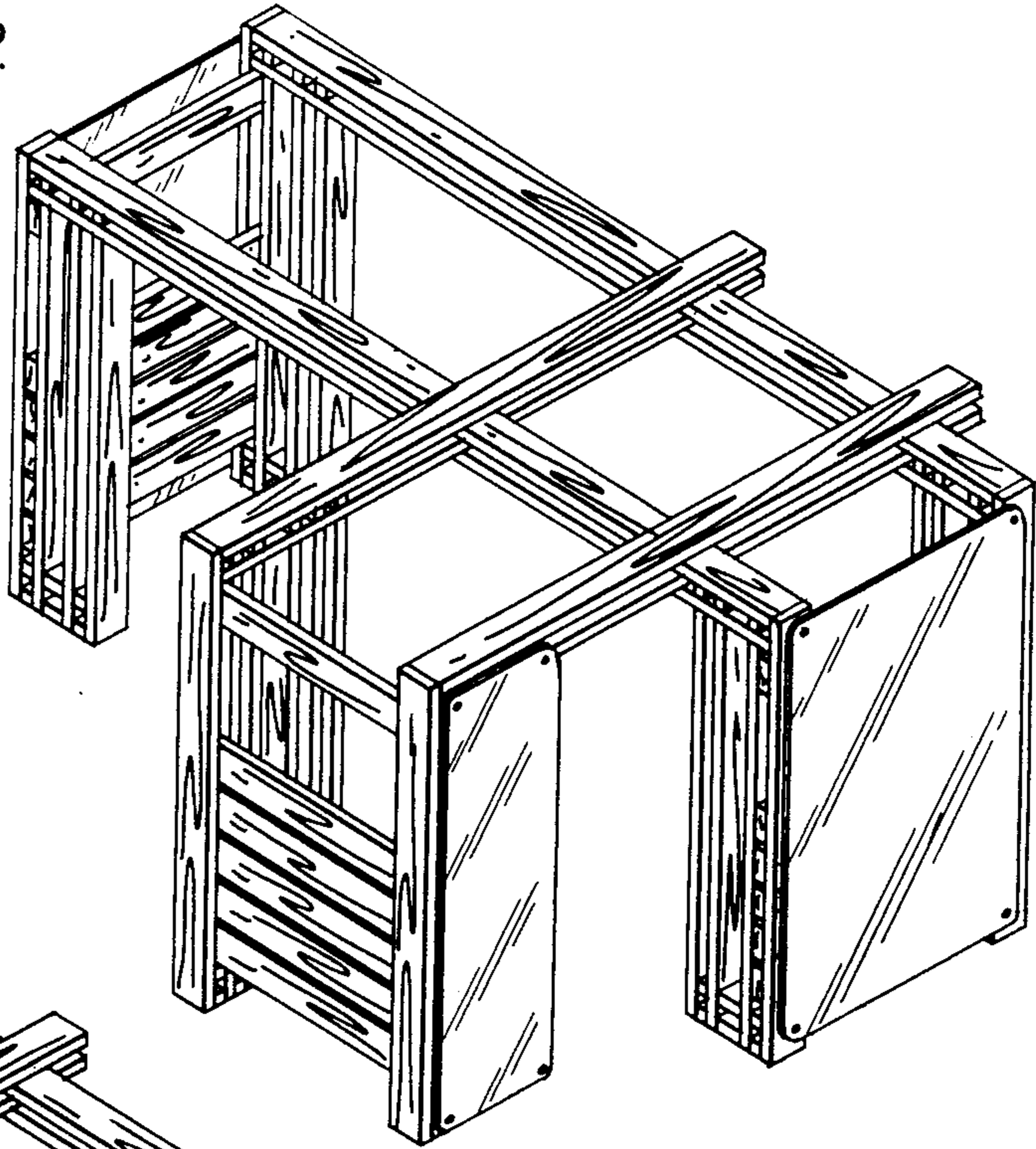


FIG. 3.

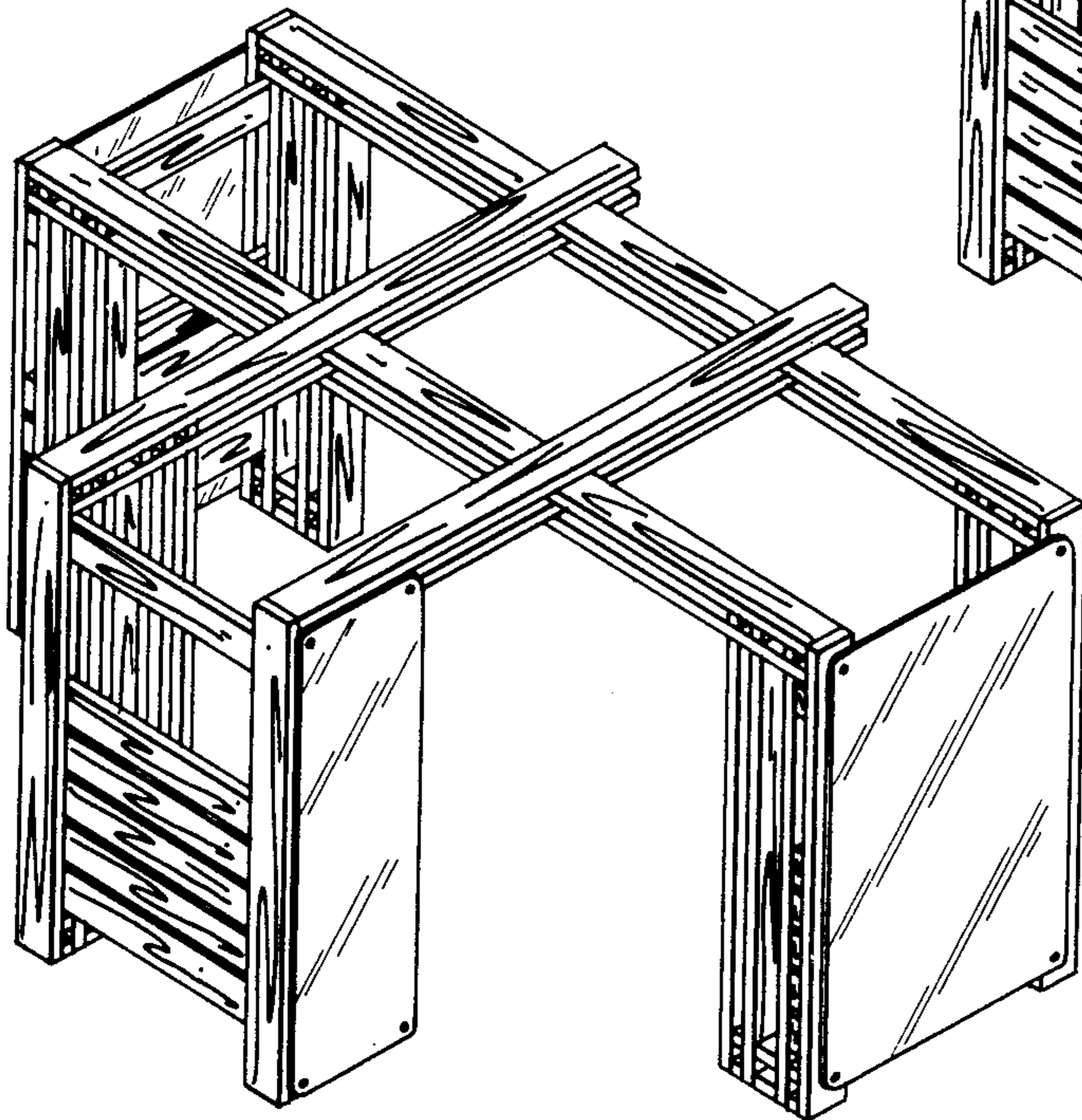


FIG. 4.

