

[54] TOY VEHICLE

[76] Inventor: Wayne A. Effort, 79 College Ave., North Tarrytown, N.Y. 10591

[\*\*] Term: 14 Years

[21] Appl. No.: 845,573

[22] Filed: Oct. 25, 1977

[51] Int. Cl. .... D21-01

[52] U.S. Cl. .... D21/76

[58] Field of Search ..... D34/15 AJ, 15 AT; D12/107; 280/87.01, 87.02 R, 87.02 W, 87.03, 87.05

[56] References Cited

U.S. PATENT DOCUMENTS

D. 202,797 11/1965 Thornell ..... D34/15 AJ  
1,234,753 7/1917 Griswold ..... 280/87.01

OTHER PUBLICATIONS

Toys & Novelties, 6-1947, p. 39, Toy Vehicle.

Primary Examiner—Joel Stearman

Assistant Examiner—Charles A. Rademaker

Attorney, Agent, or Firm—John F. Ohlandt

[57] CLAIM

The ornamental design for a toy vehicle, as shown.

DESCRIPTION

FIG. 1 is a perspective view of a toy vehicle showing my new design;

FIG. 2 is a front elevational view thereof;

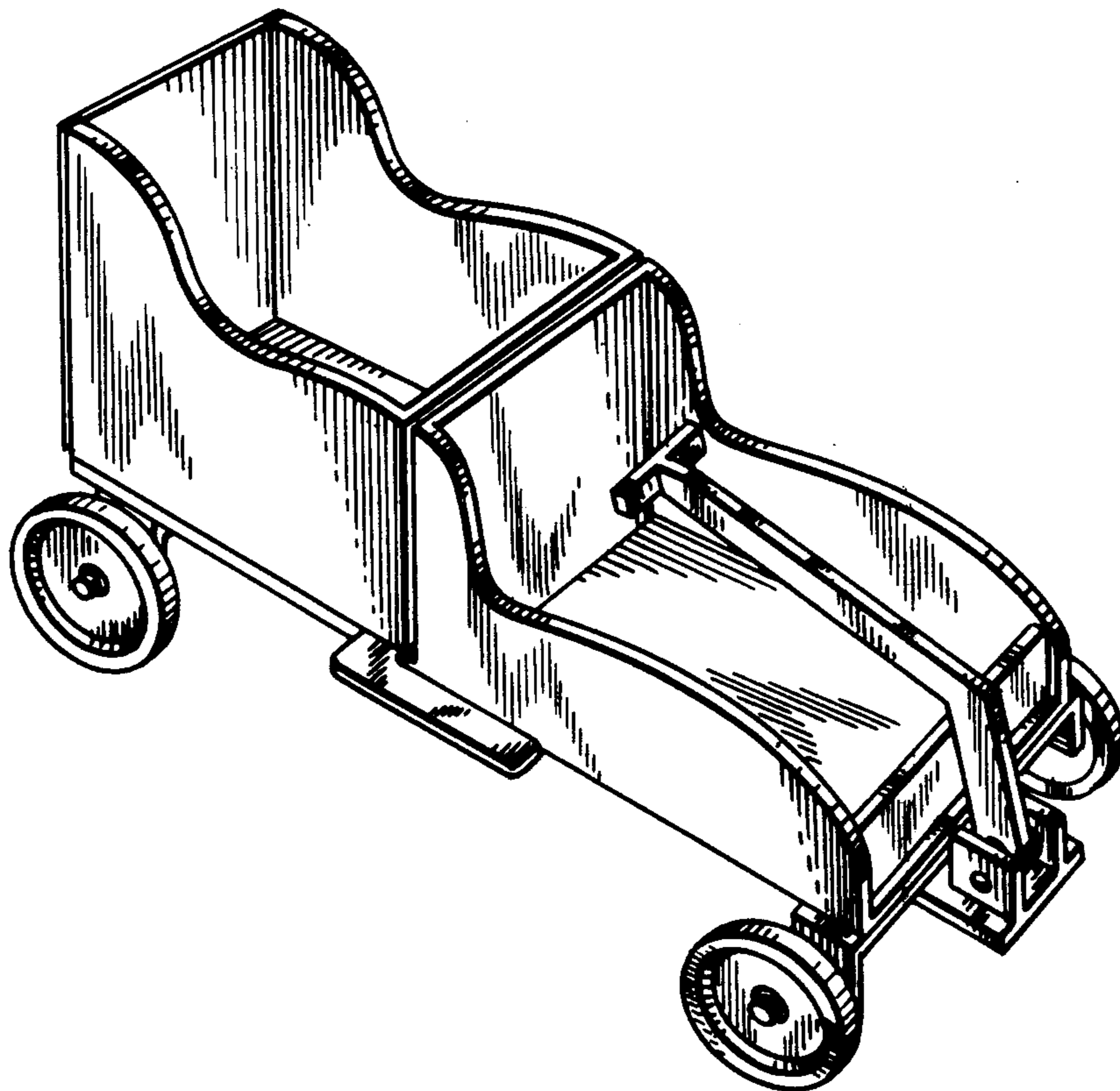
FIG. 3 is a top plan view thereof;

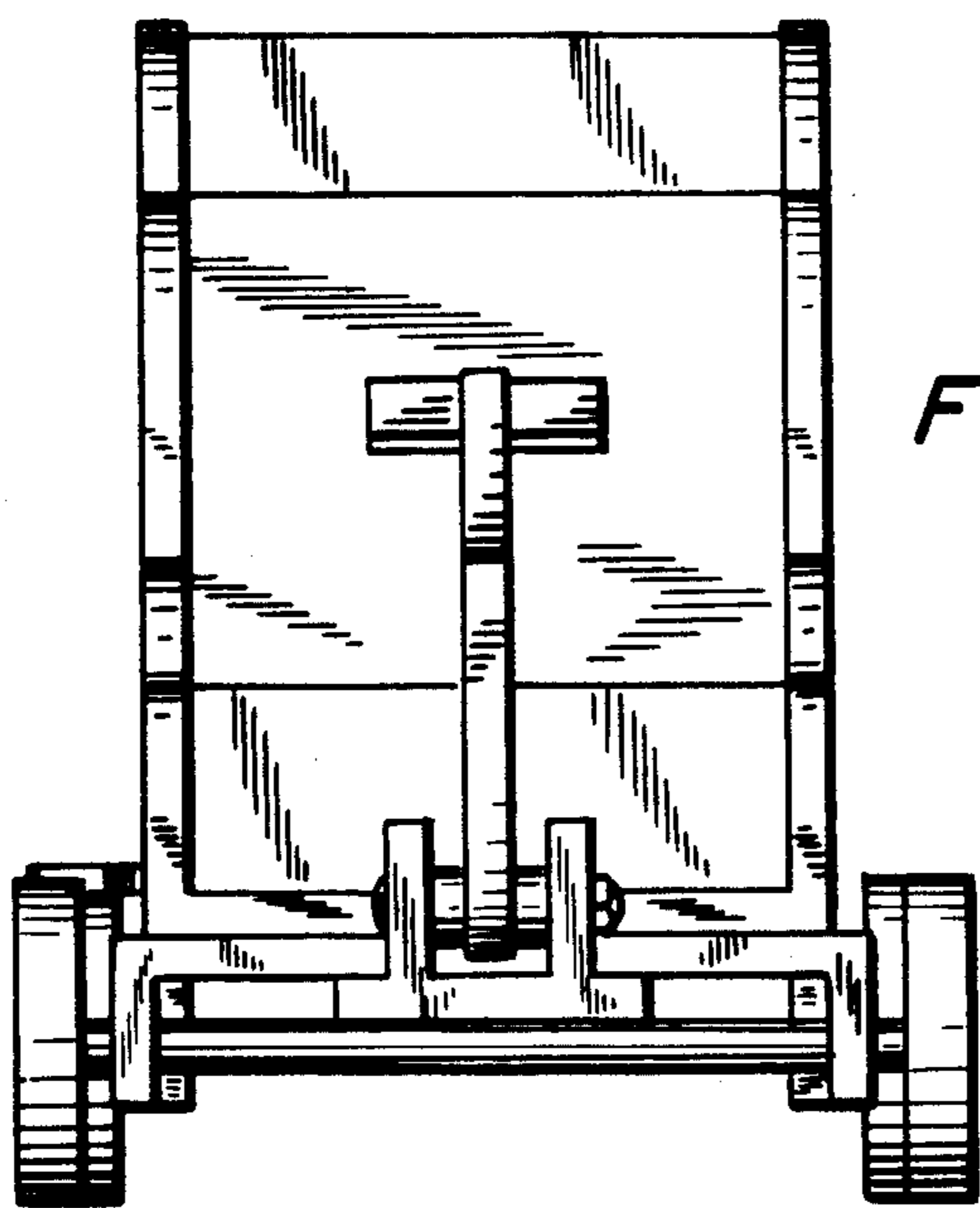
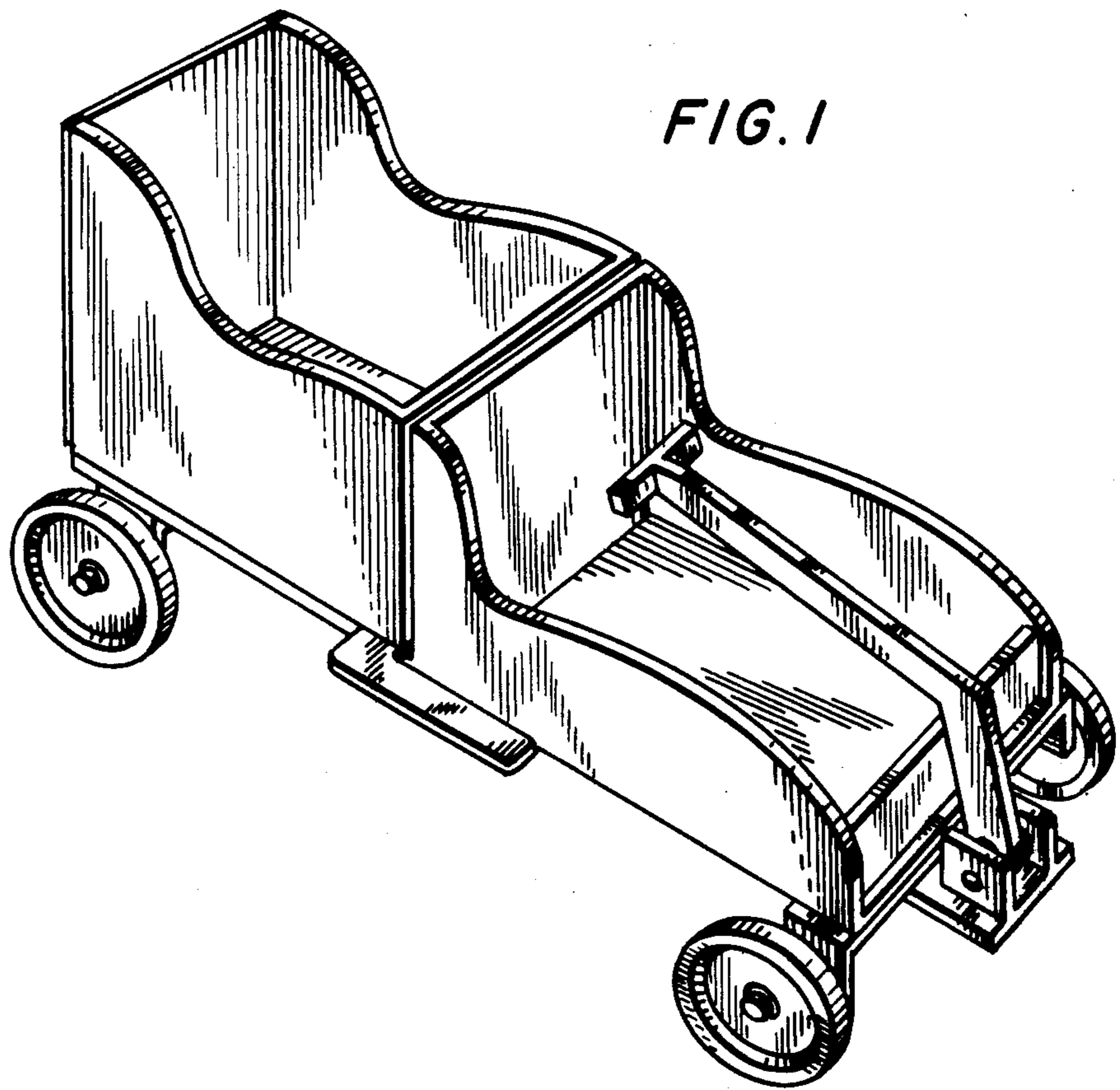
FIG. 4 is a right side elevational view thereof;

FIG. 5 is a rear elevational view thereof;

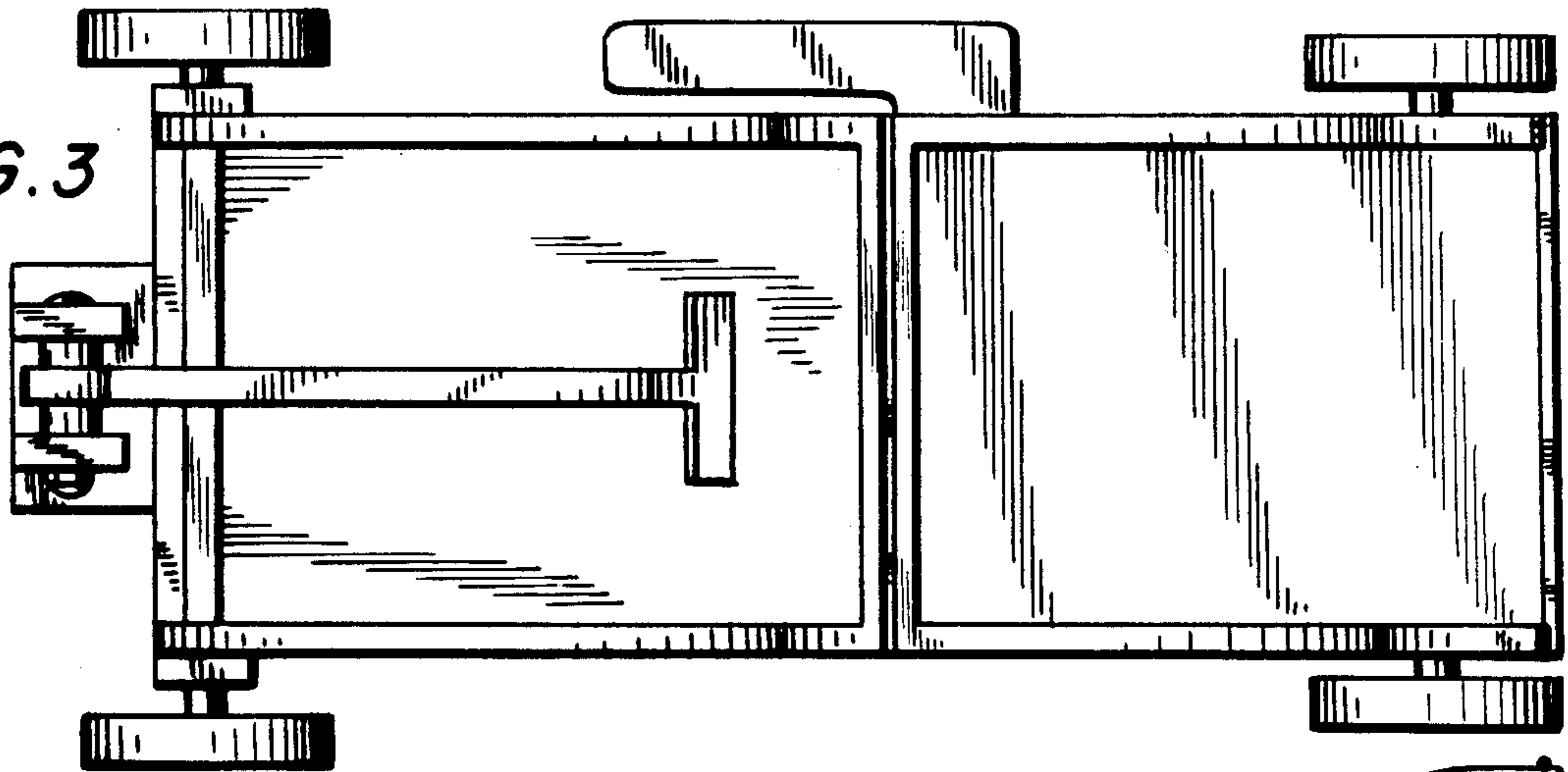
FIG. 6 is a bottom plan view thereof; and,

FIG. 7 is a left side elevational view thereof with the rear compartment in an elevated condition and the front handle in an alternate position.

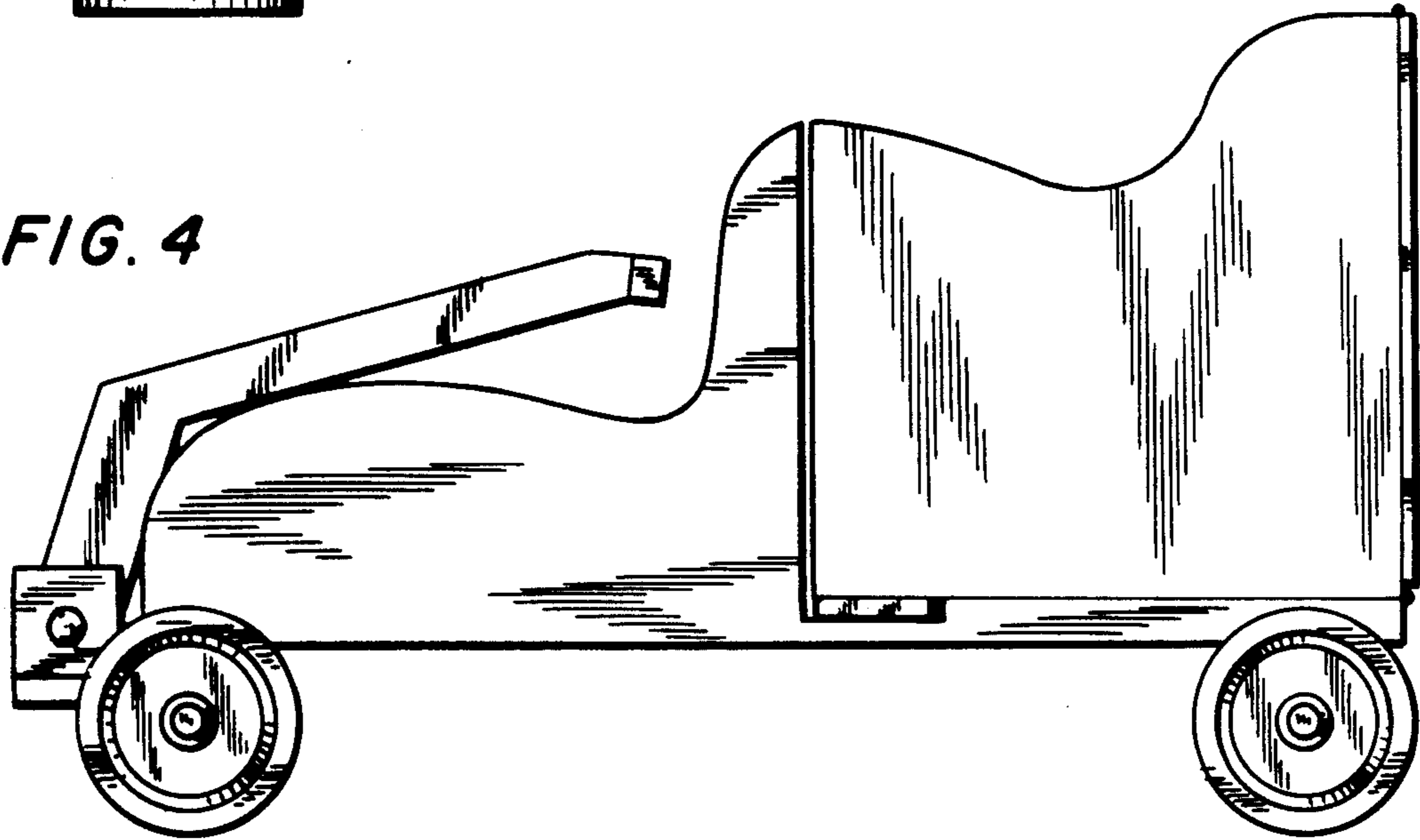




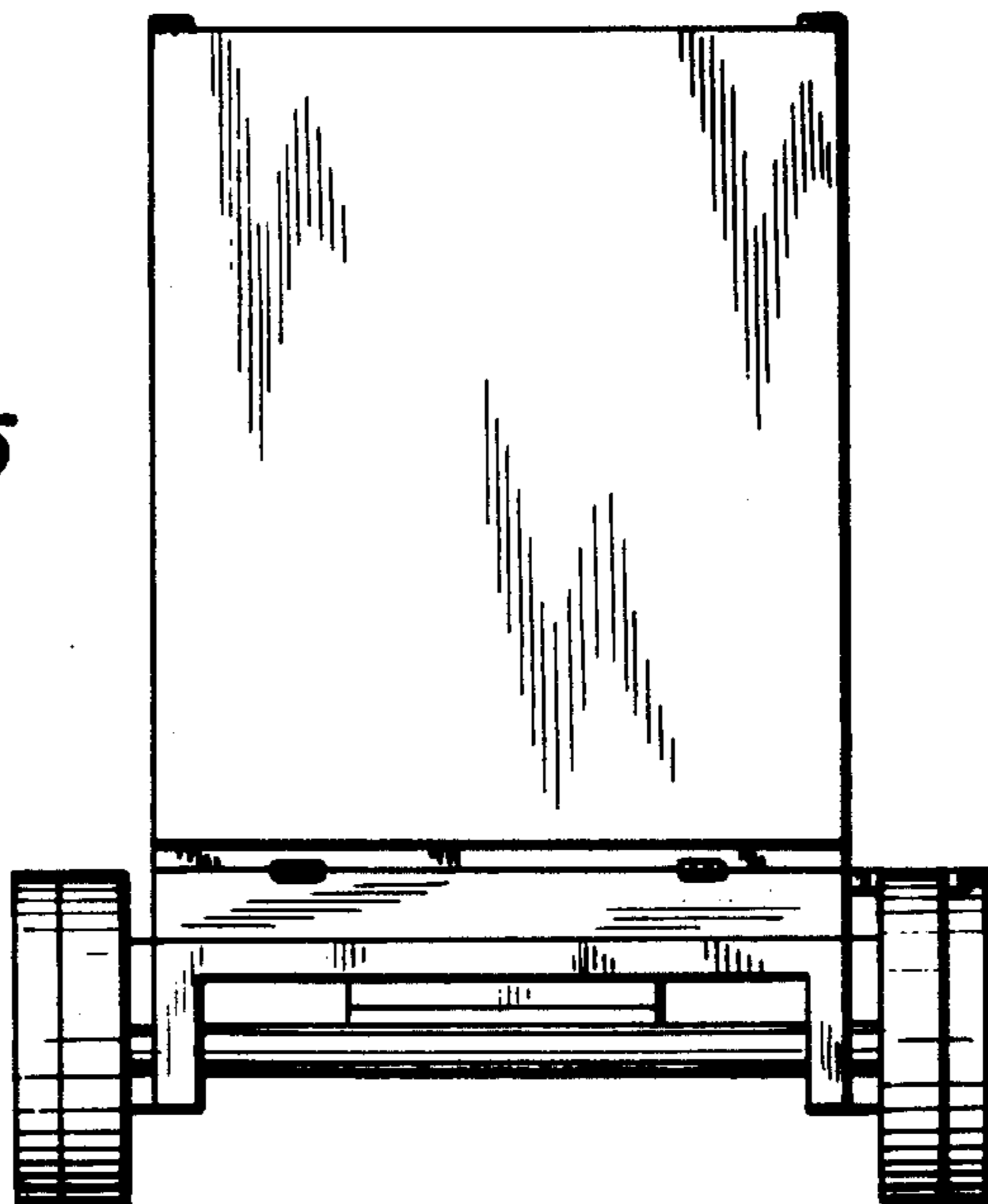
*FIG. 3*



*FIG. 4*



*FIG. 5*



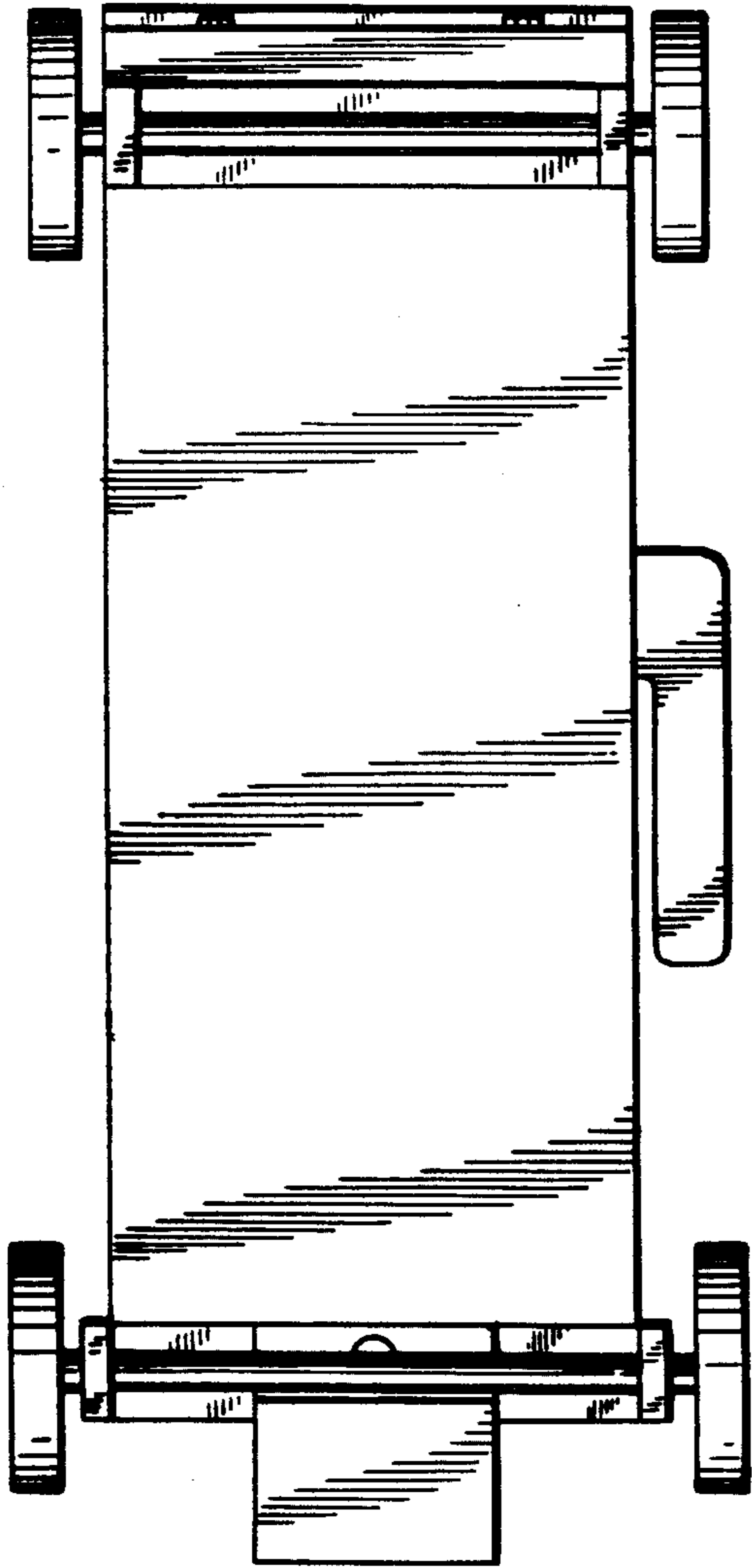


FIG. 6

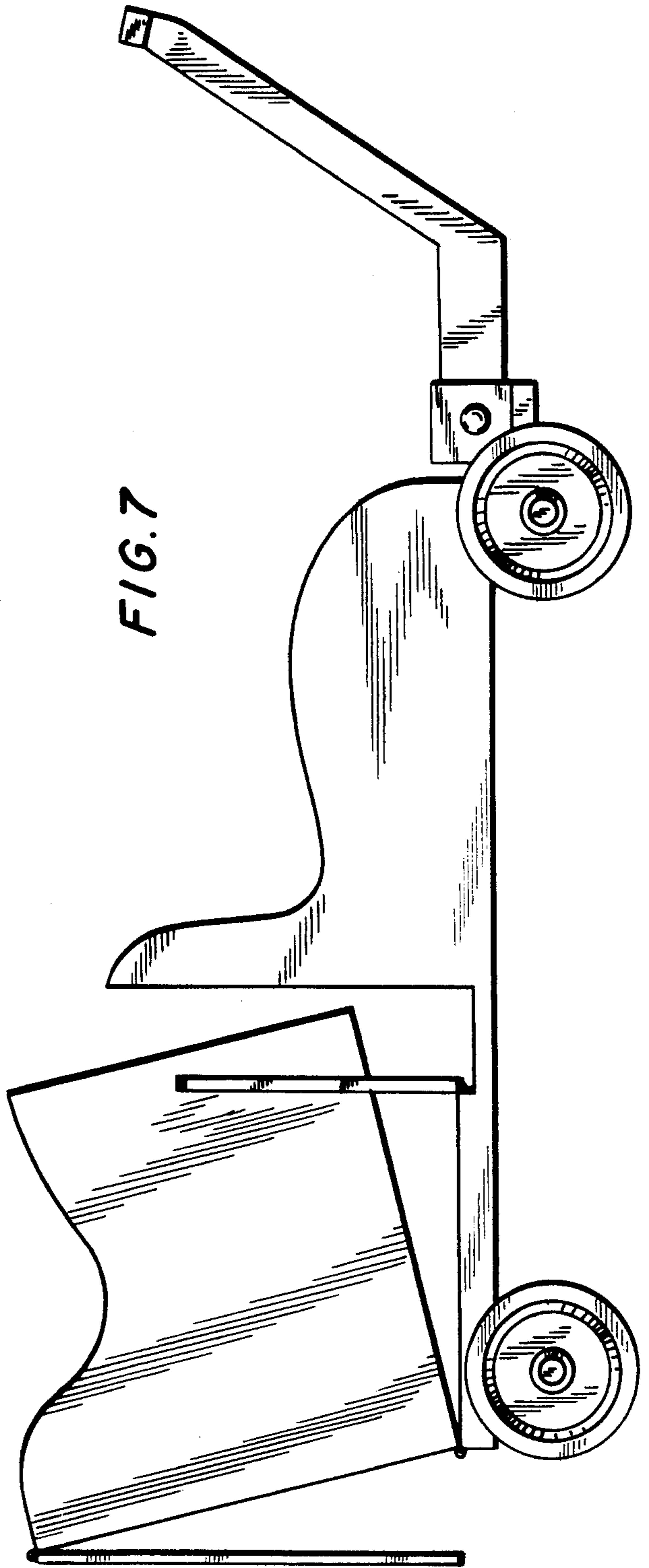


FIG. 7