

[54] **HYGIENIC SHEATH FOR A TEMPERATURE SENSING PROBE**

[75] Inventors: **Louis E. Nagy, Killingworth; Paul O. Rawson, Easton, both of Conn.**

[73] Assignee: **United States Surgical Corporation, Stamford, Conn.**

[**] Term: **14 Years**

[21] Appl. No.: **798,599**

[22] Filed: **May 19, 1977**

[51] Int. Cl. **D24—02**

[52] U.S. Cl. **D24/17; D24/99; D10/57**

[58] Field of Search **D10/52, 50, 57; D14/99; D24/8, 17; 128/2 R, 2.08, 2.05, 2.05 P**

[56] **References Cited**

U.S. PATENT DOCUMENTS

D. 212,124 8/1968 Feldman **D24/8 X**

3,232,288	2/1966	Krobath	128/2.08
3,241,549	3/1966	Tyler	128/2 R
3,884,219	5/1975	Richardson et al.	128/2 R
4,036,211	7/1977	Veth et al.	128/2 R

Primary Examiner—Bernard Ansher
Attorney, Agent, or Firm—Martin Fleit

[57] **CLAIM**

The ornamental design for a hygienic sheath for a temperature sensing probe, substantially as shown and described.

DESCRIPTION

FIG. 1 is a front perspective view of a hygienic sheath for a temperature sensing probe, showing our new design;

FIG. 2 is a rear perspective view thereof;

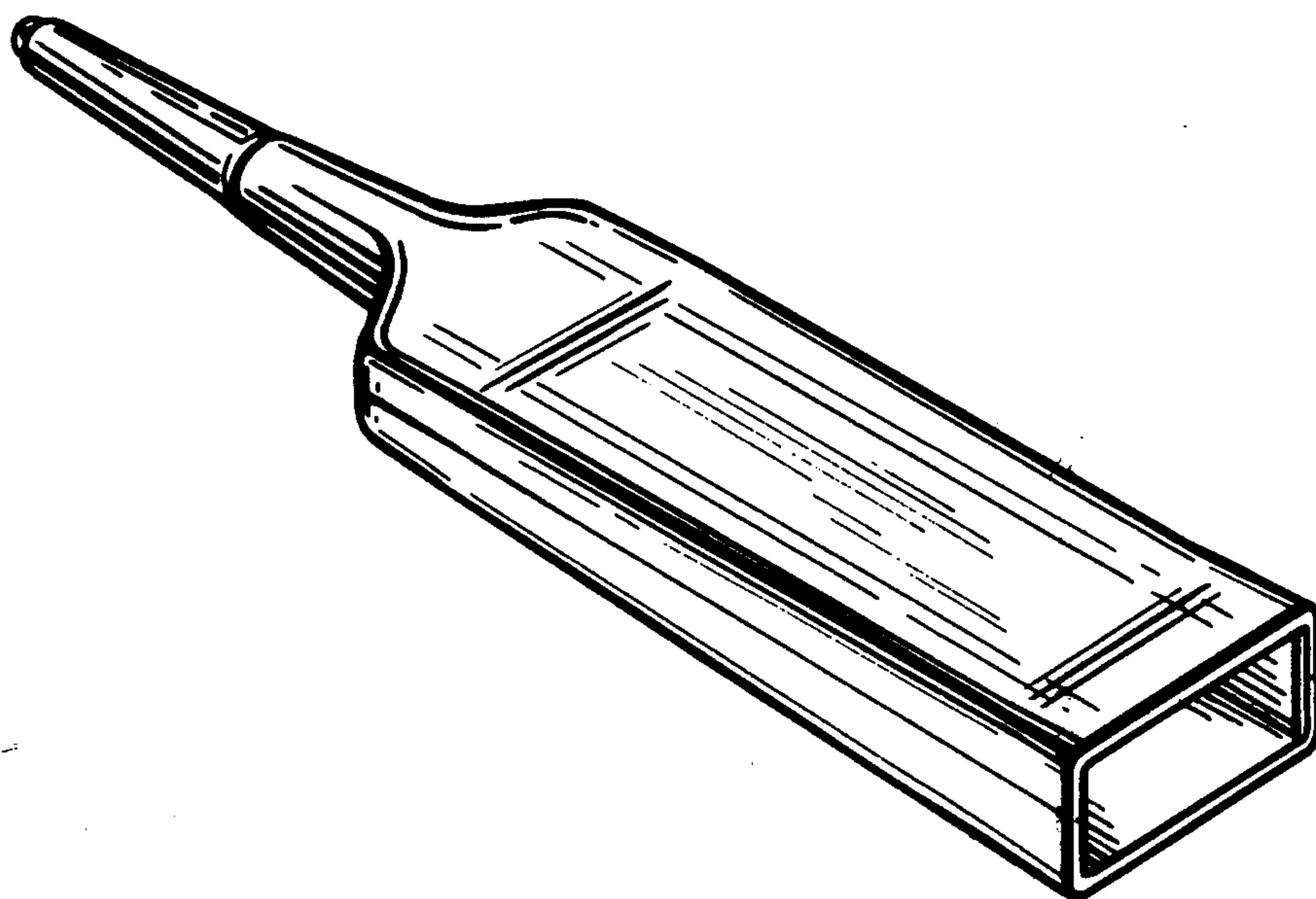
FIG. 3 is a top plan view thereof;

FIG. 4 is a side elevation thereof;

FIG. 5 is a rear elevation thereof; and

FIG. 6 is a front elevation thereof.

The undisclosed bottom and side portions of the hygienic sheath are mirror images of the sides shown.



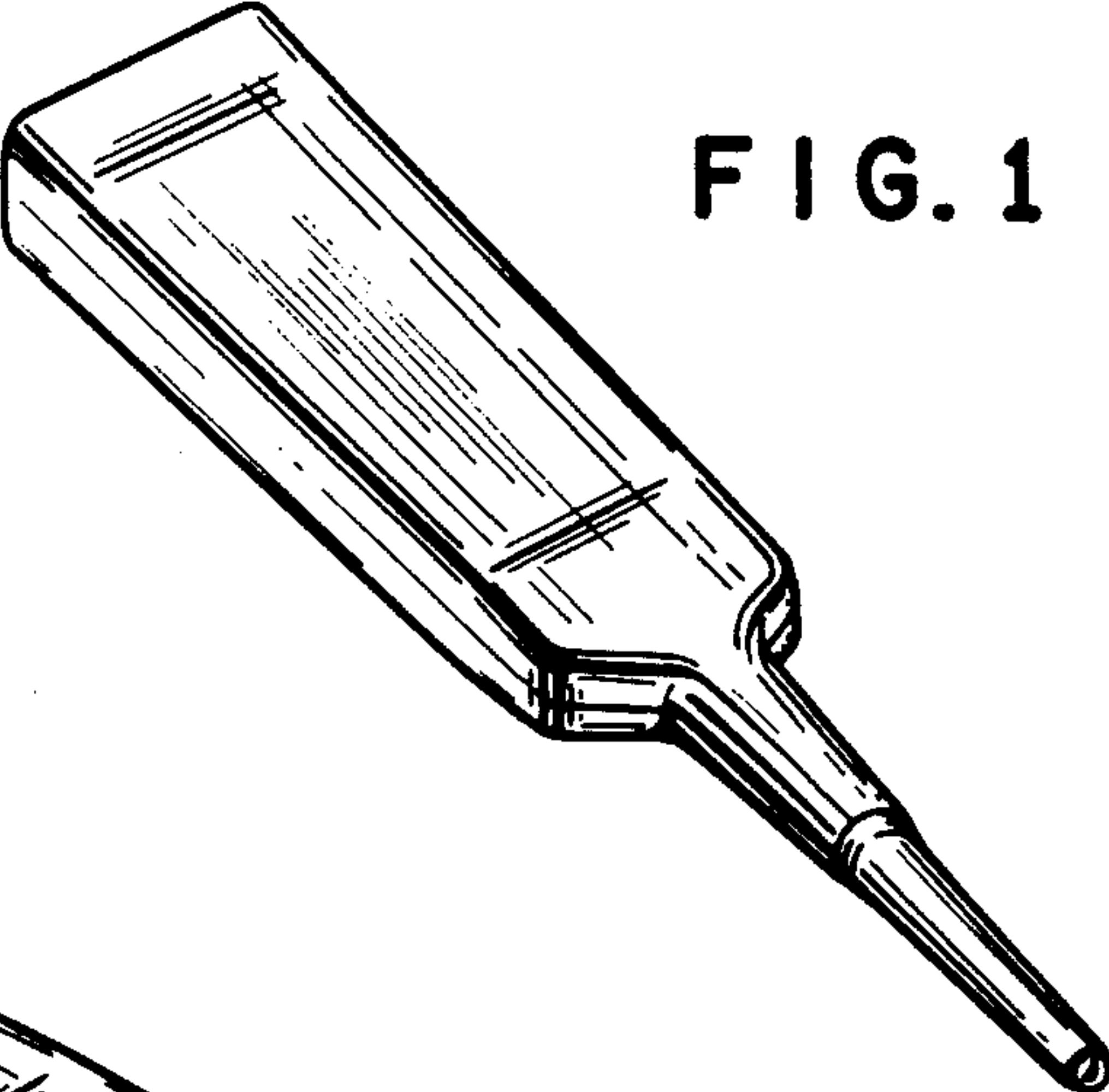


FIG. 1

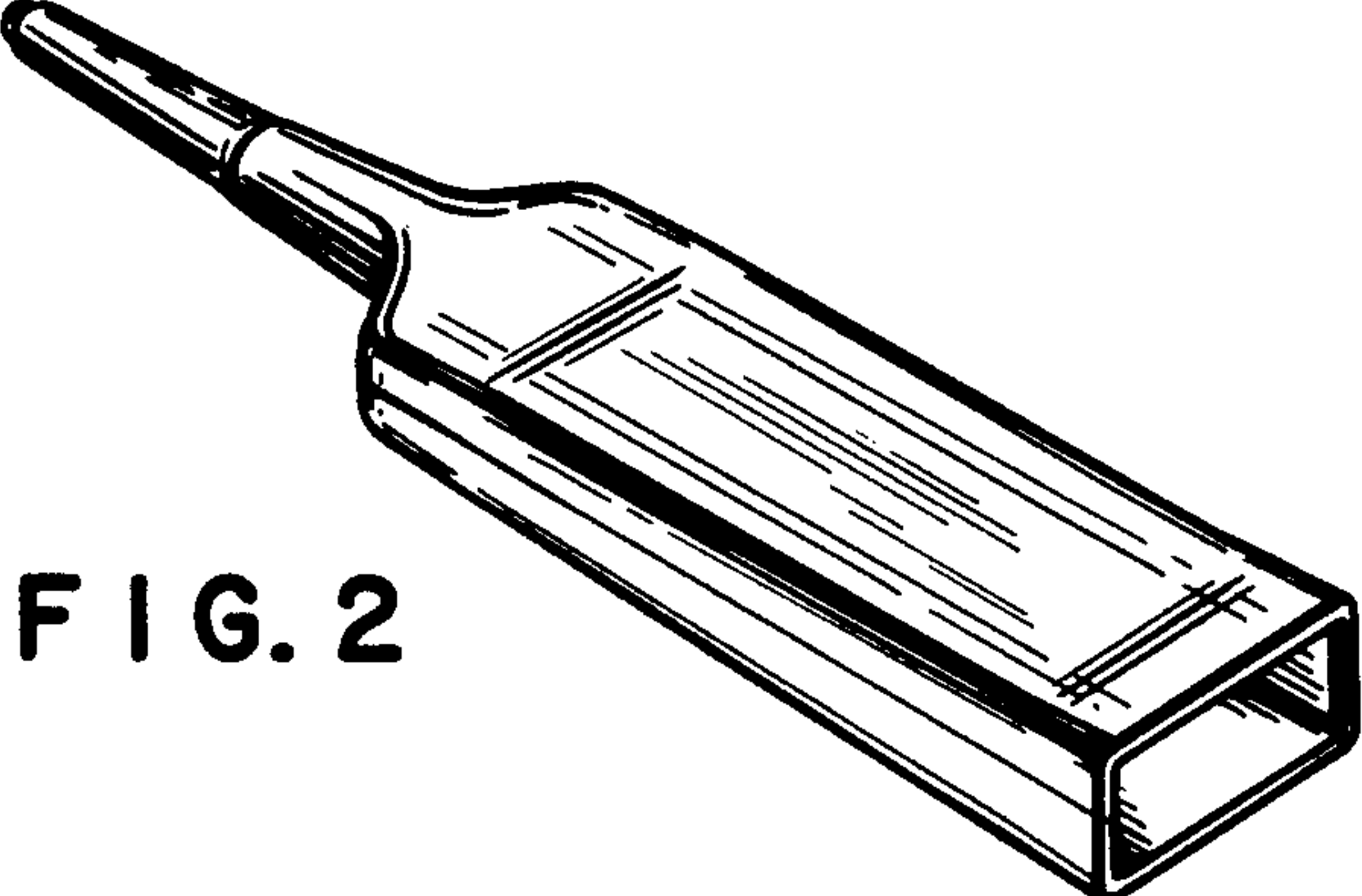


FIG. 2

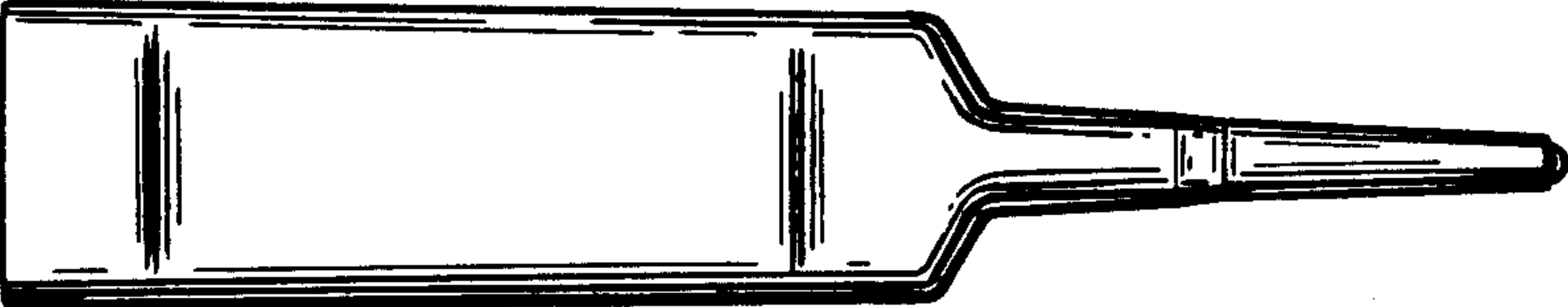


FIG. 3

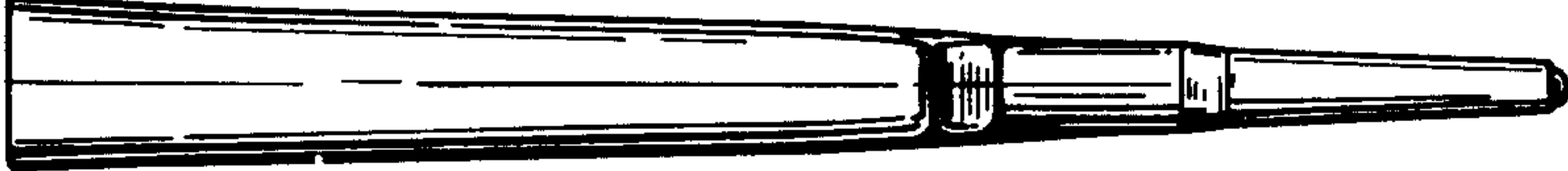


FIG. 4

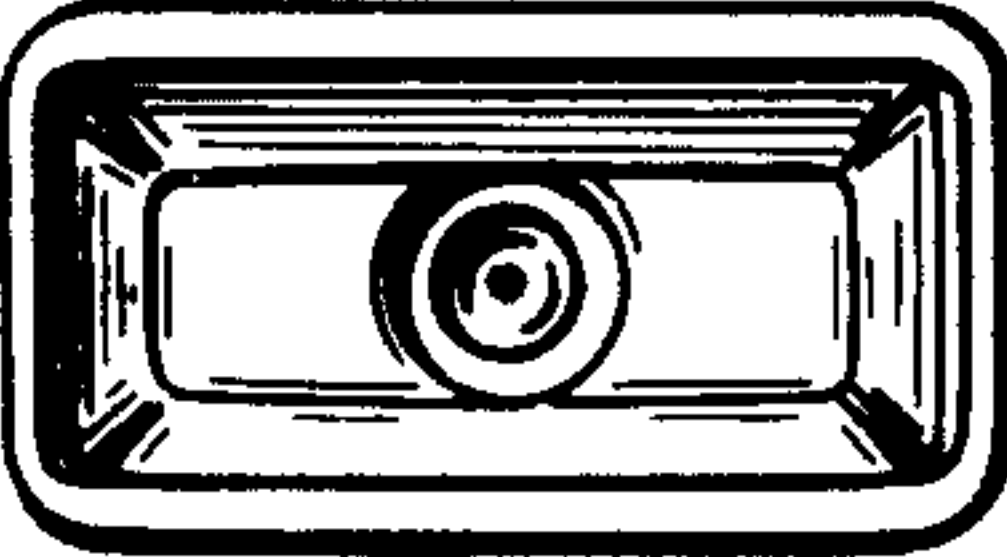


FIG. 5

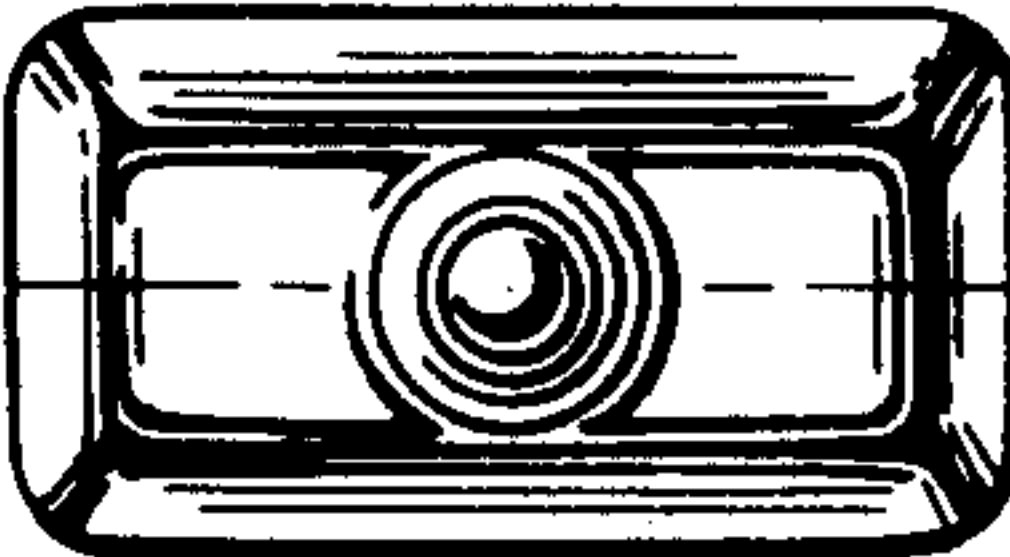


FIG. 6