

[54] WOOD STOVE

[76] Inventor: **John S. Orlando**, 1702 W. Second,
Eugene, Oreg. 97402

[**] Term: **14 Years**

[21] Appl. No.: **830,489**

[22] Filed: **Sep. 6, 1977**

[51] Int. Cl. **D23-03**

[52] U.S. Cl. **D23/97**

[58] Field of Search **D23/72, 92, 93, 97;**
126/99 R, 114, 58, 60, 61, 62, 63, 64, 65, 66

[56] **References Cited**

U.S. PATENT DOCUMENTS

D. 237,798 11/1975 **Fisher** **D23/97 X**

D. 238,949 2/1976 **Giovagnoli** **D23/93**
4,078,541 3/1978 **Roycraft** **126/99 R**

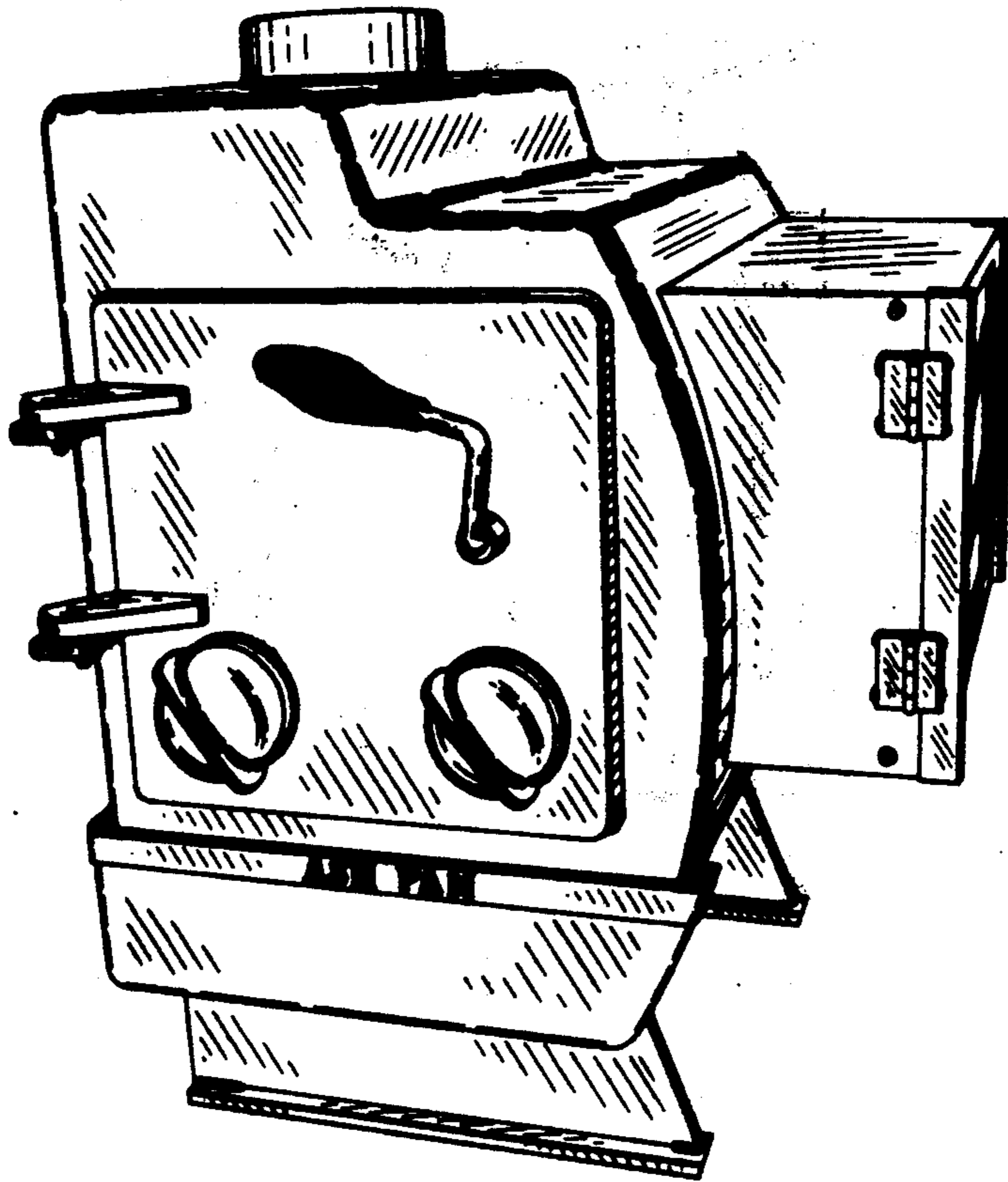
Primary Examiner—**Wallace R. Burke**
Assistant Examiner—**Catherine Kemper**
Attorney, Agent, or Firm—**Kenneth S. Klarquist**

[57] **CLAIM**

The ornamental design for a wood stove, as shown and described.

DESCRIPTION

FIG. 1 is a right front perspective view of a wood stove, showing my new design;
FIG. 2 is a left rear perspective view thereof;
FIG. 3 is a top plan view thereof, shown on a smaller scale;
FIG. 4 is a rear elevational view thereof; and
FIG. 5 is a bottom plan view thereof.



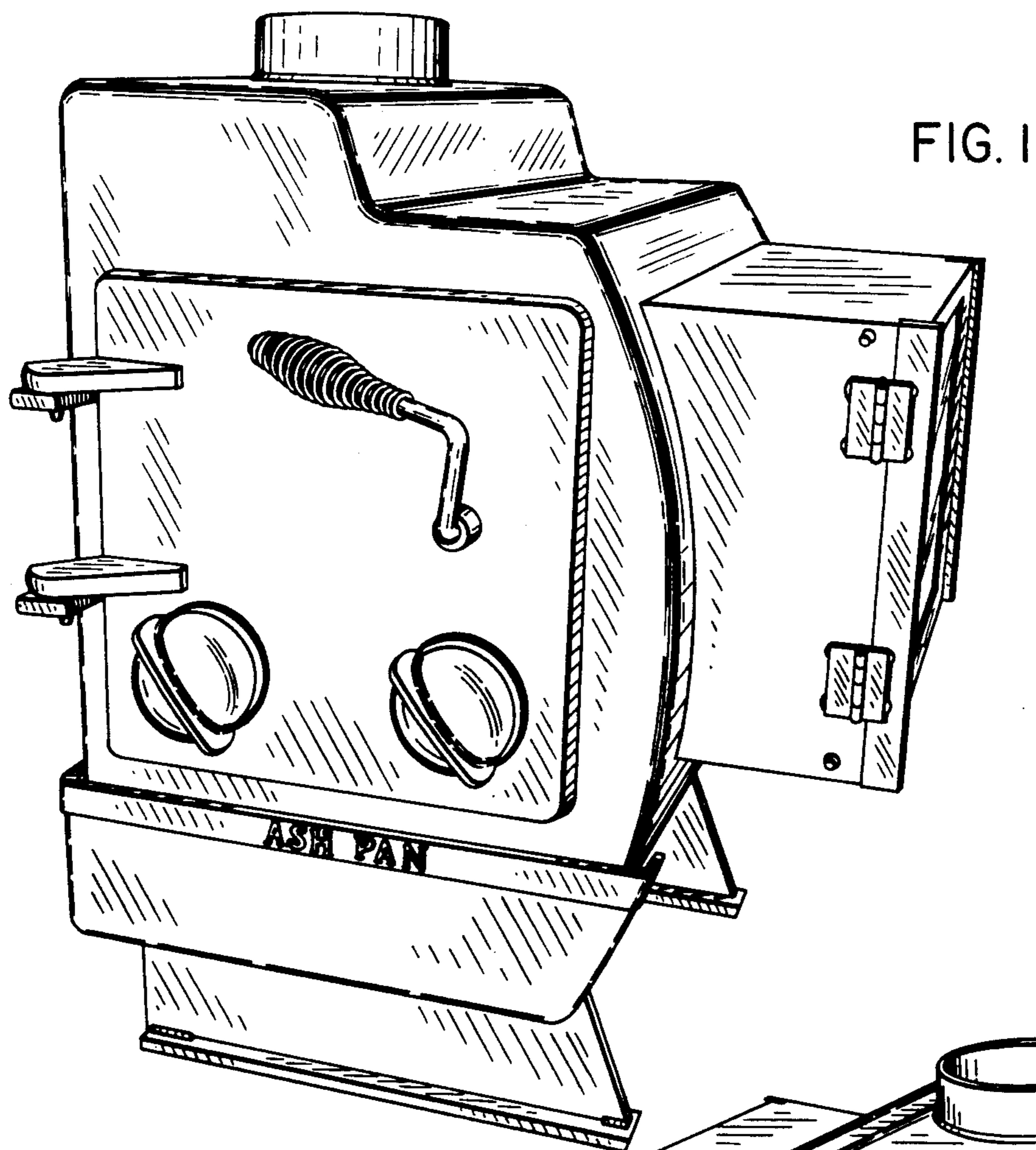


FIG. 2

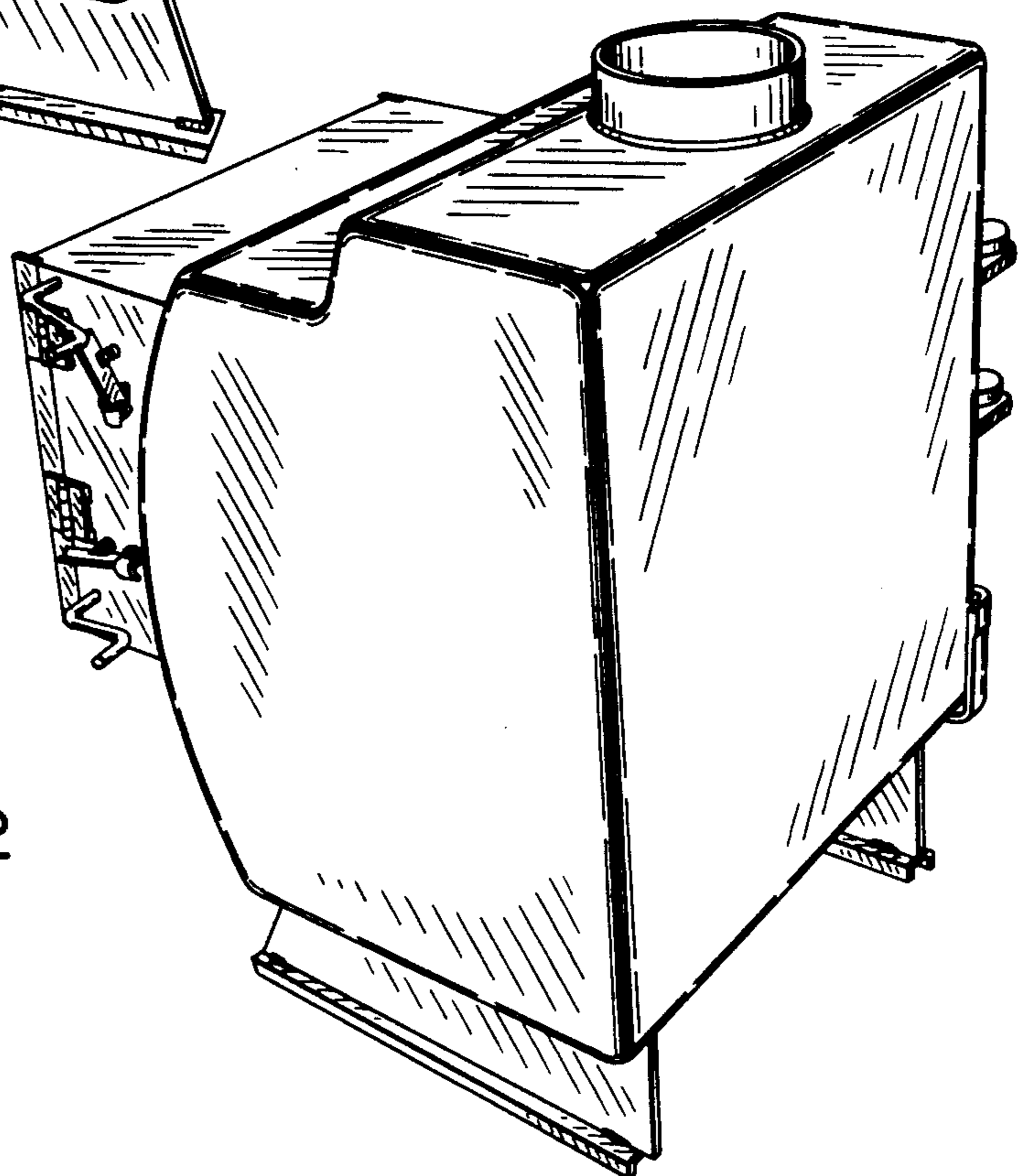


FIG. 3

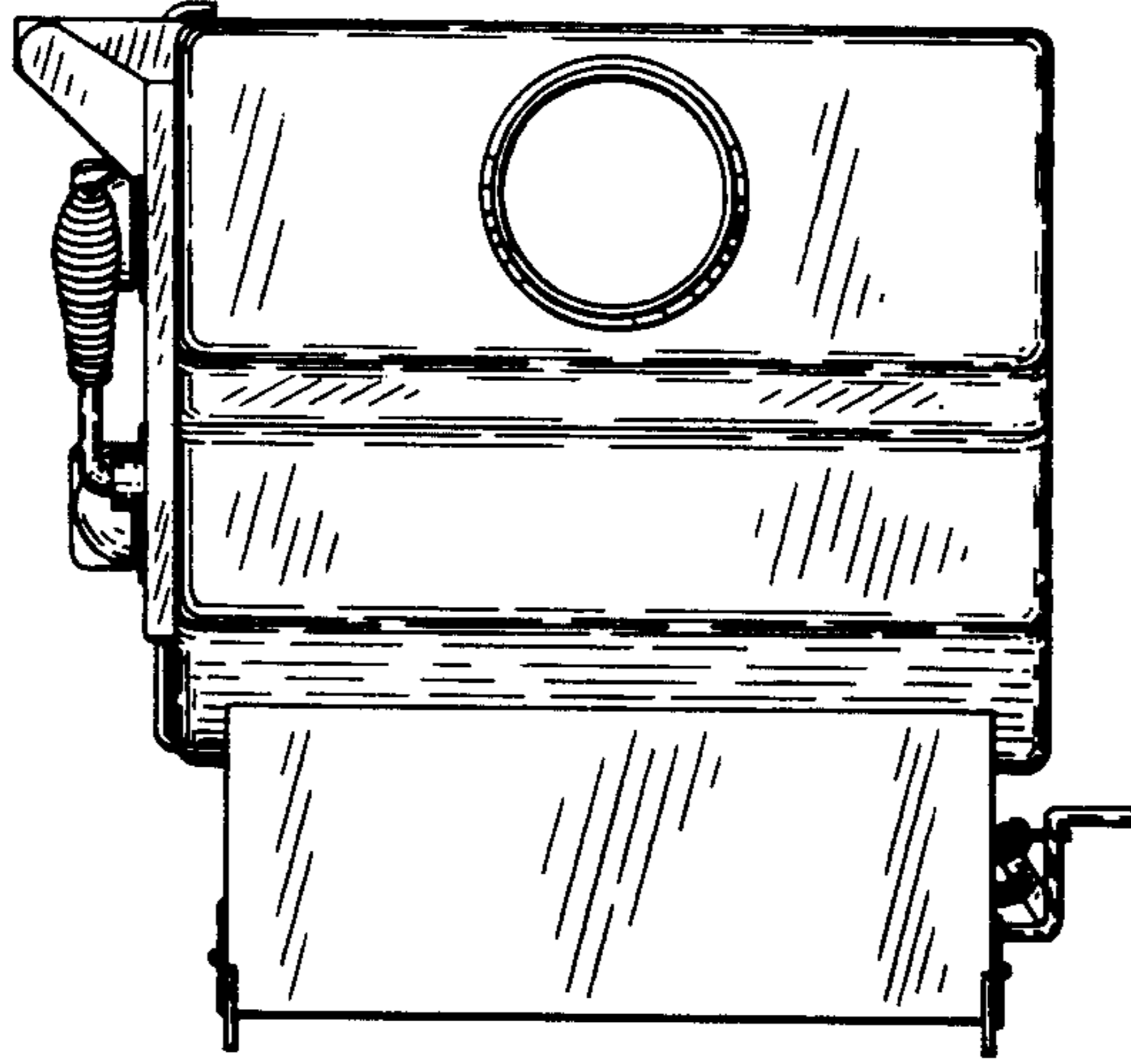


FIG. 4

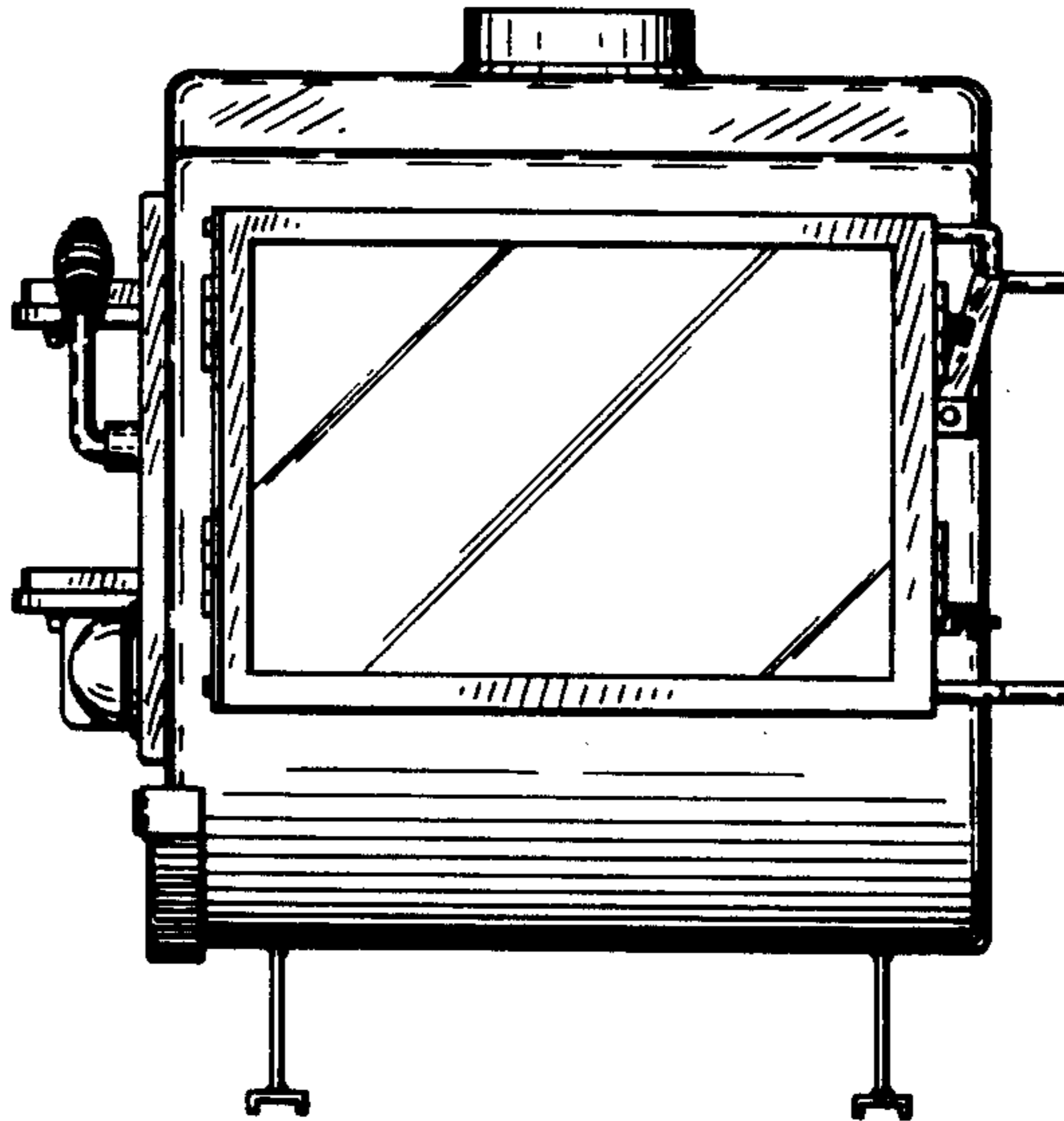


FIG. 5

