

[54] **SPRAY GUN**

[75] Inventors: **Richard O. Probst; James R. Maugans**, both of Indianapolis, Ind.

[73] Assignee: **Ransburg Corporation**, Indianapolis, Ind.

[**] Term: **14 Years**

[21] Appl. No.: **874,219**

[22] Filed: **Feb. 1, 1978**

[51] Int. Cl. **D23-01**

[52] U.S. Cl. **D23/17**

[58] Field of Search **D23/17, 18, 34-40; 239/414, 527, 528**

2,550,888	5/1951	Traugber, Jr.	239/414 X
2,970,773	2/1961	Keryluk et al.	239/414 X
2,971,700	2/1961	Peeps	239/414 X
2,991,015	7/1961	Standlick	239/414 X
3,032,277	5/1962	Petty	239/414 X
3,330,484	7/1967	Johnson	239/414
3,606,170	9/1971	Hoffman et al.	239/414
3,840,179	10/1974	Krohn et al.	239/1

Primary Examiner—James R. Largen
 Attorney, Agent, or Firm—Merrill N. Johnson

[57] **CLAIM**

The ornamental design for a spray gun, as shown.

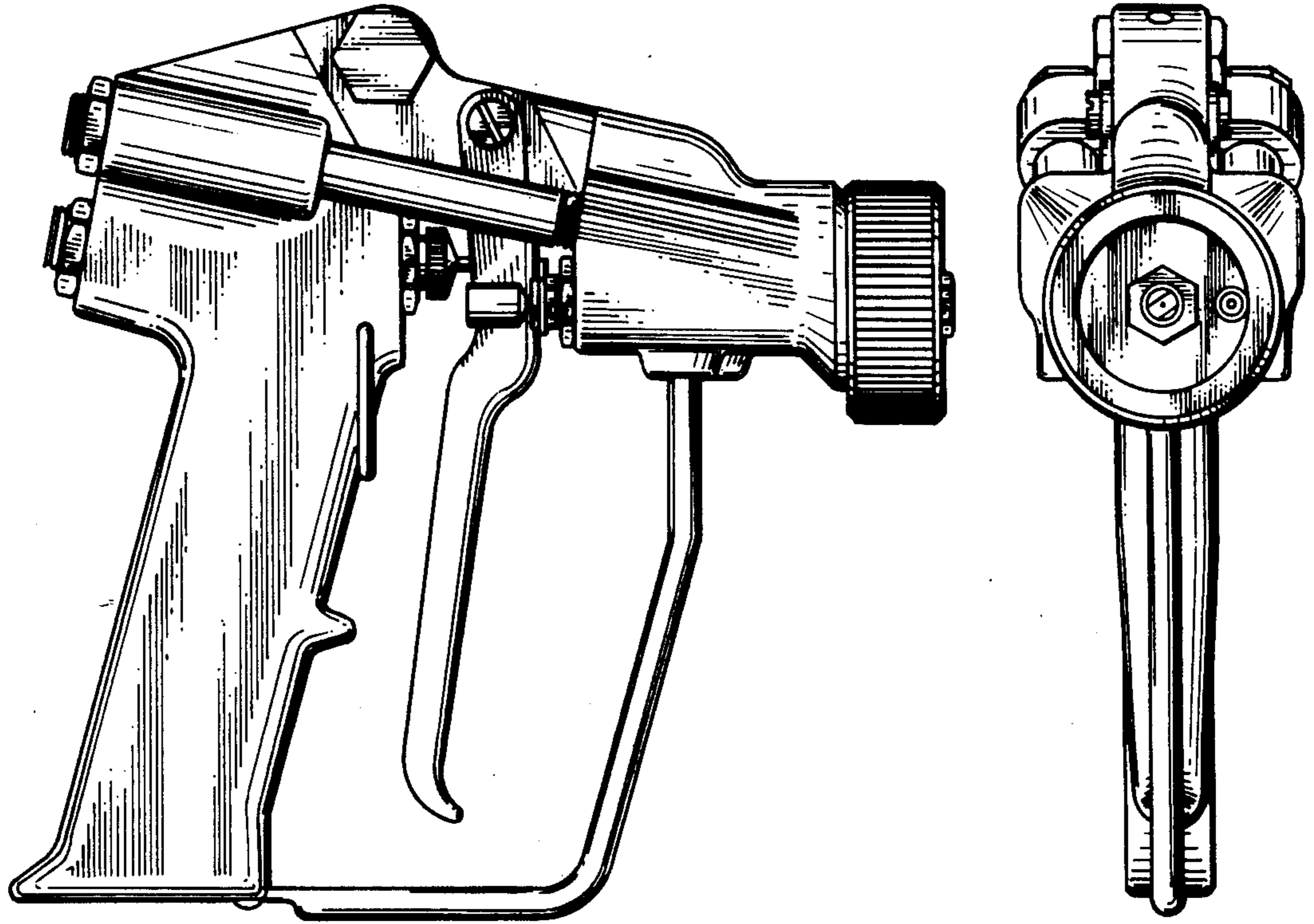
DESCRIPTION

FIG. 1 is a left side elevational view of a plural component spray gun showing our new design; FIG. 2 is a front elevational view thereof; FIG. 3 is a right side elevational view thereof; FIG. 4 is a rear elevational view thereof; FIG. 5 is a top plan view thereof; and FIG. 6 is a bottom plan view thereof.

[56] **References Cited**

U.S. PATENT DOCUMENTS

D. 140,973	4/1945	Baur	D23/17
D. 223,491	4/1972	Smart et al.	D23/17



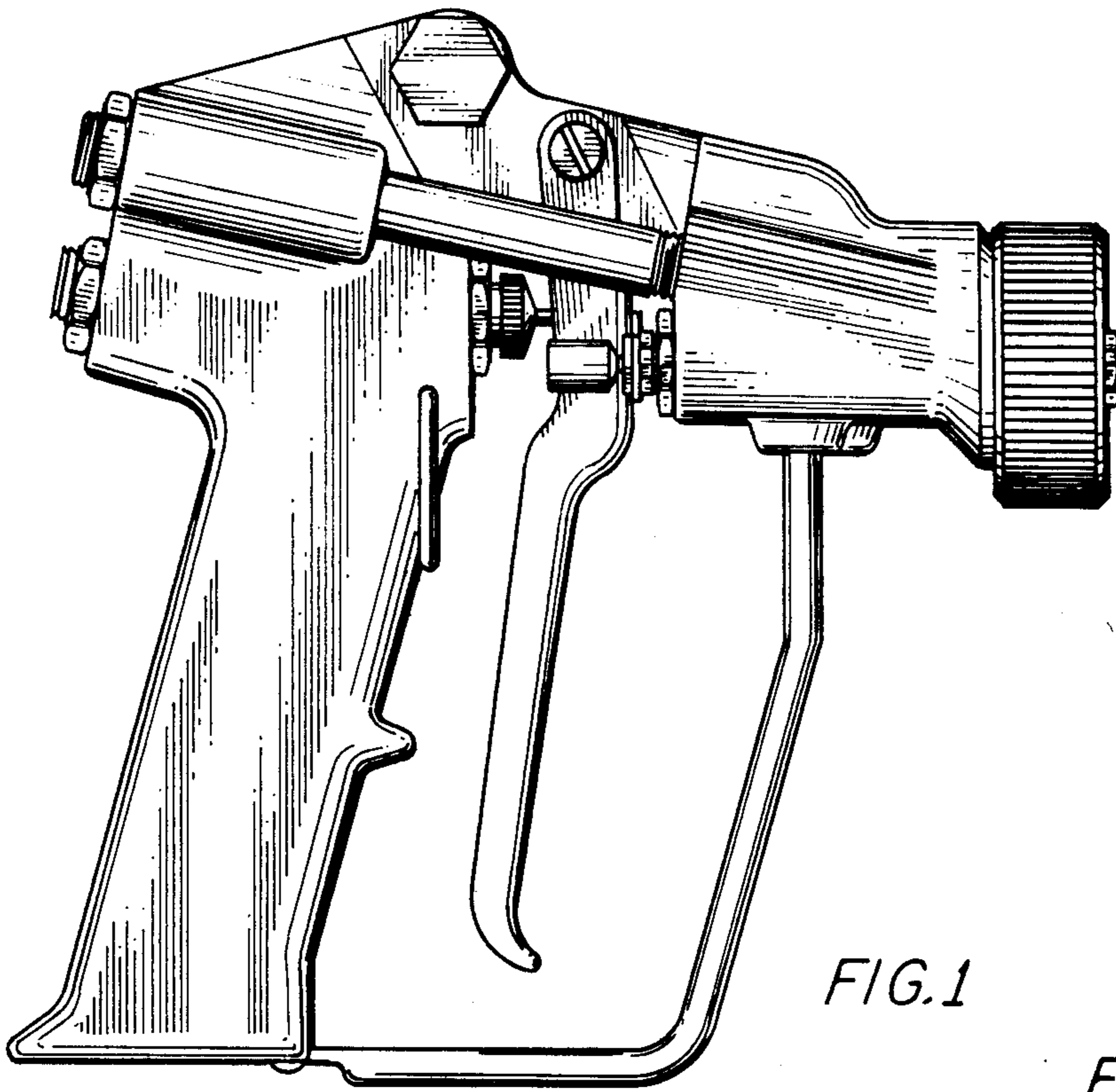


FIG. 1

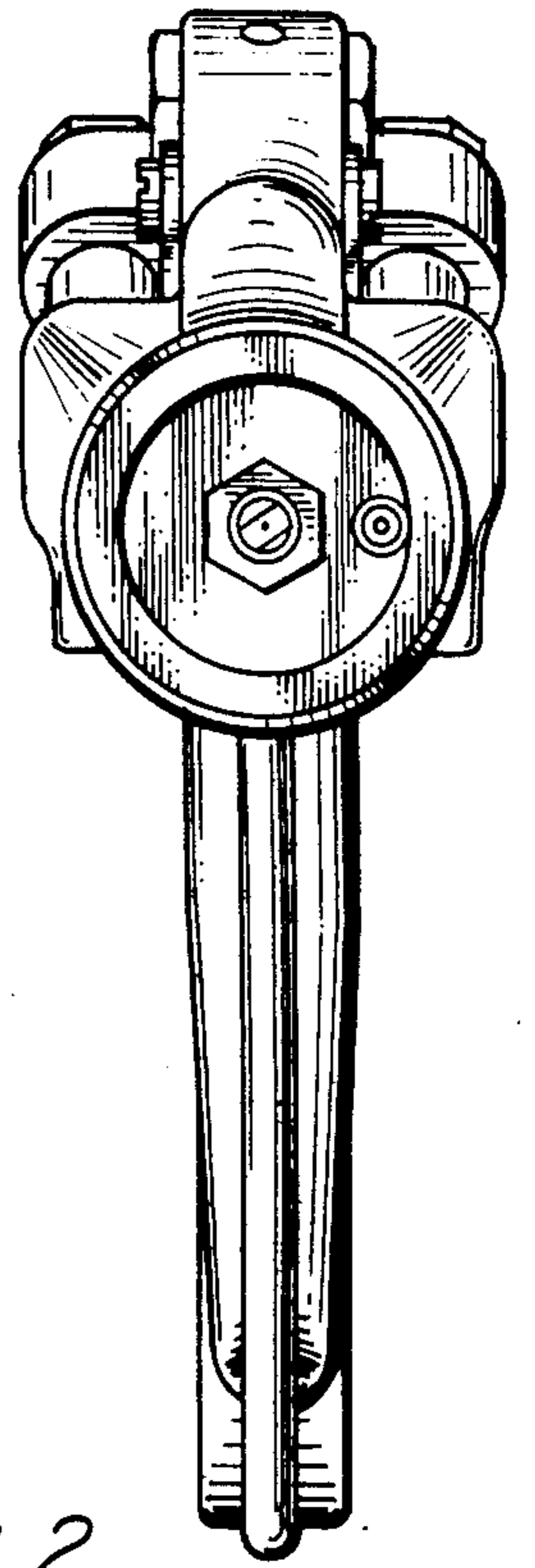


FIG. 2

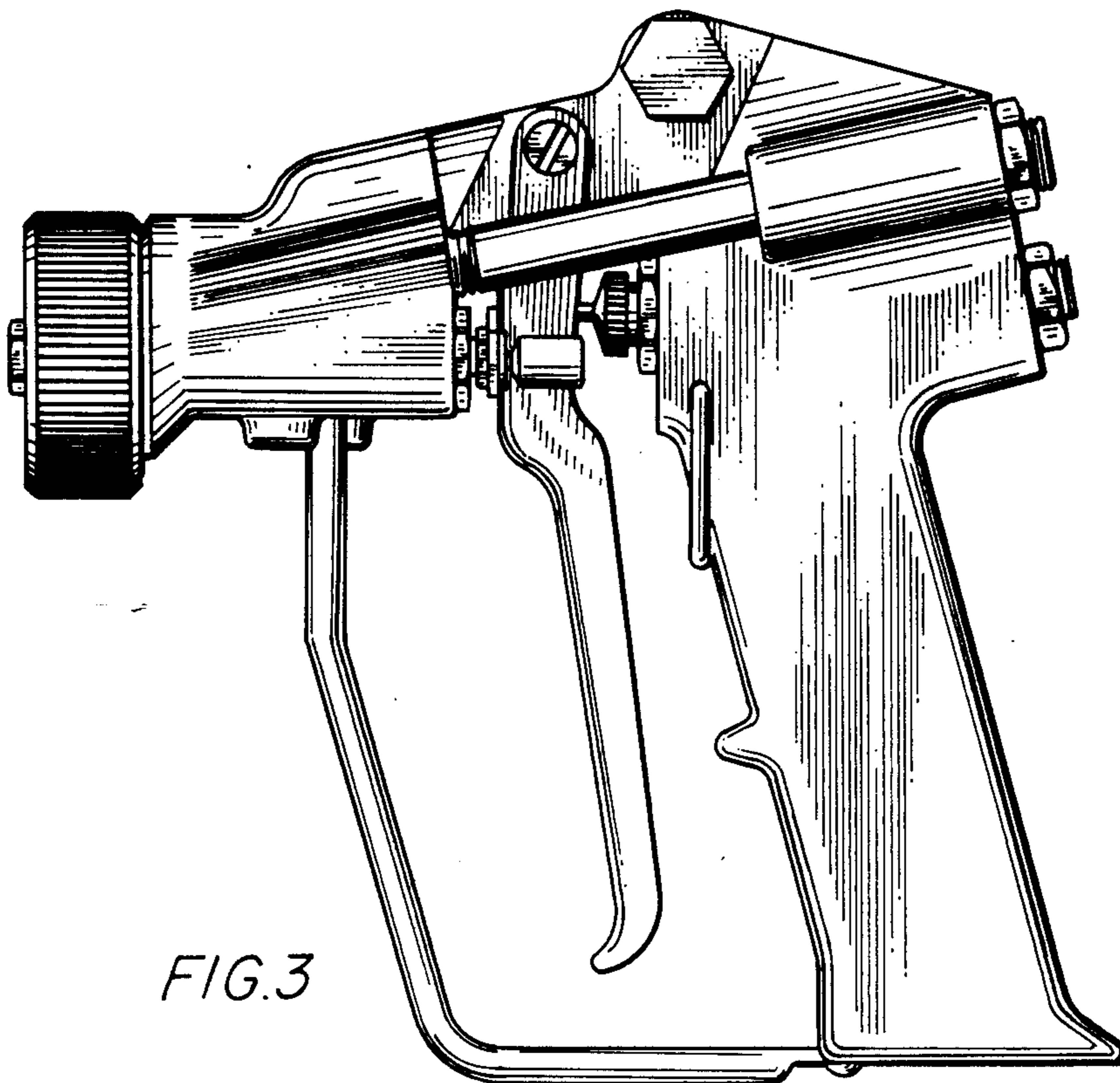


FIG. 3

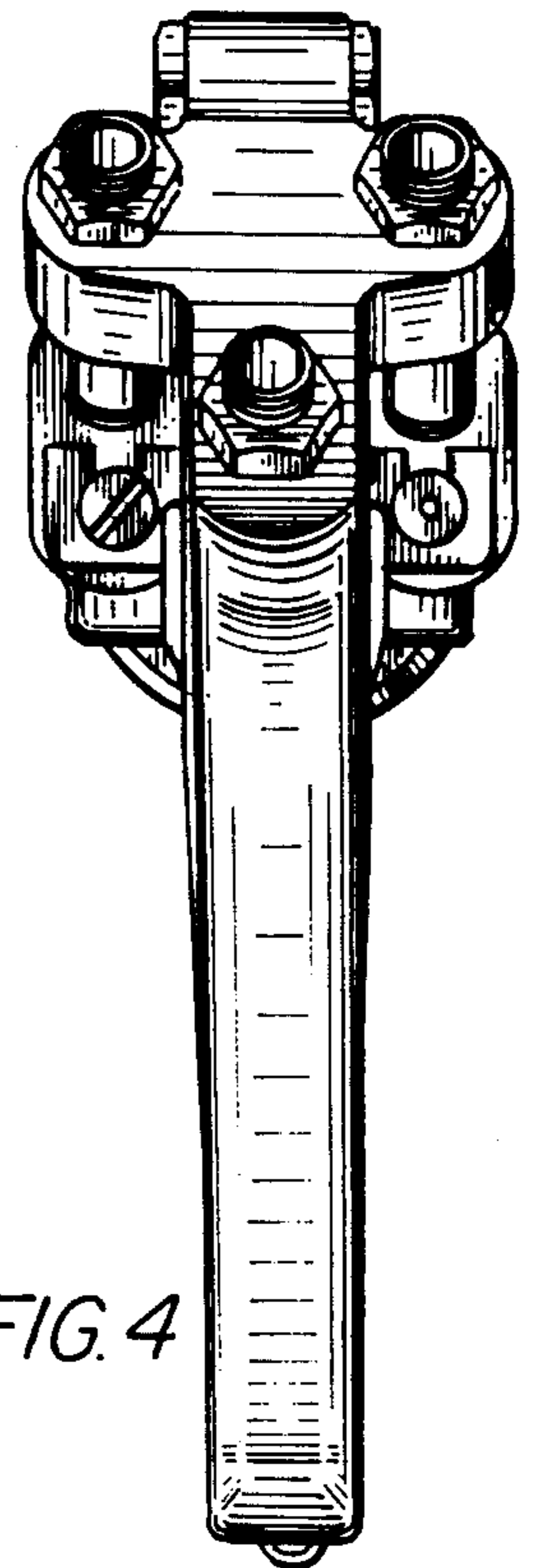


FIG. 4

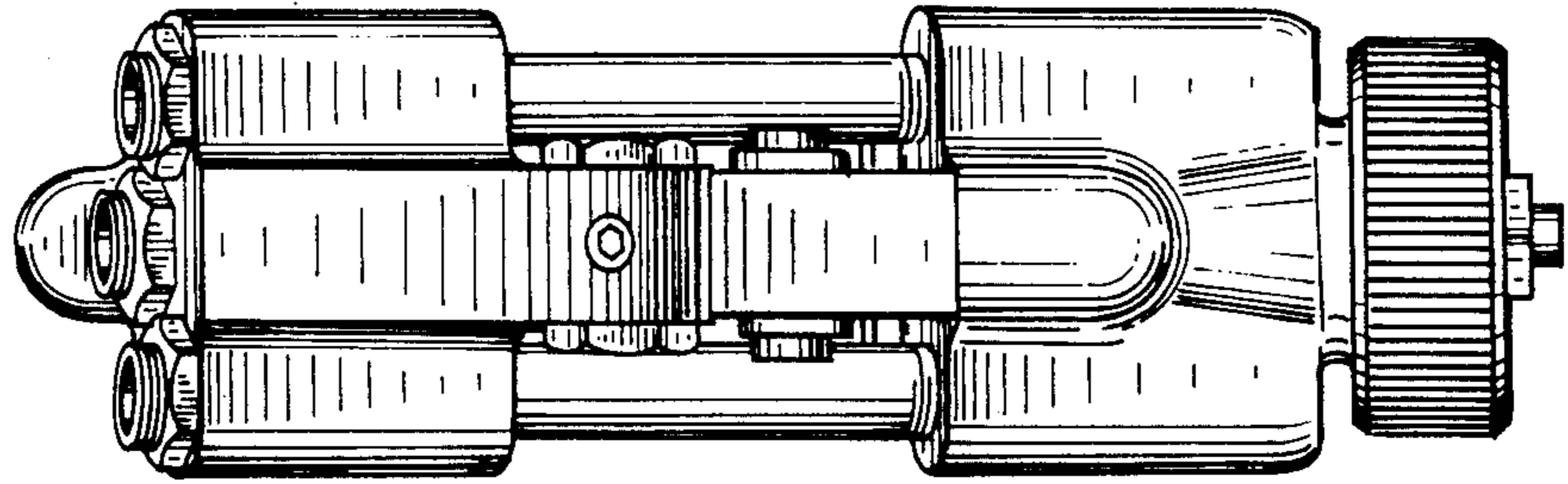


FIG. 5

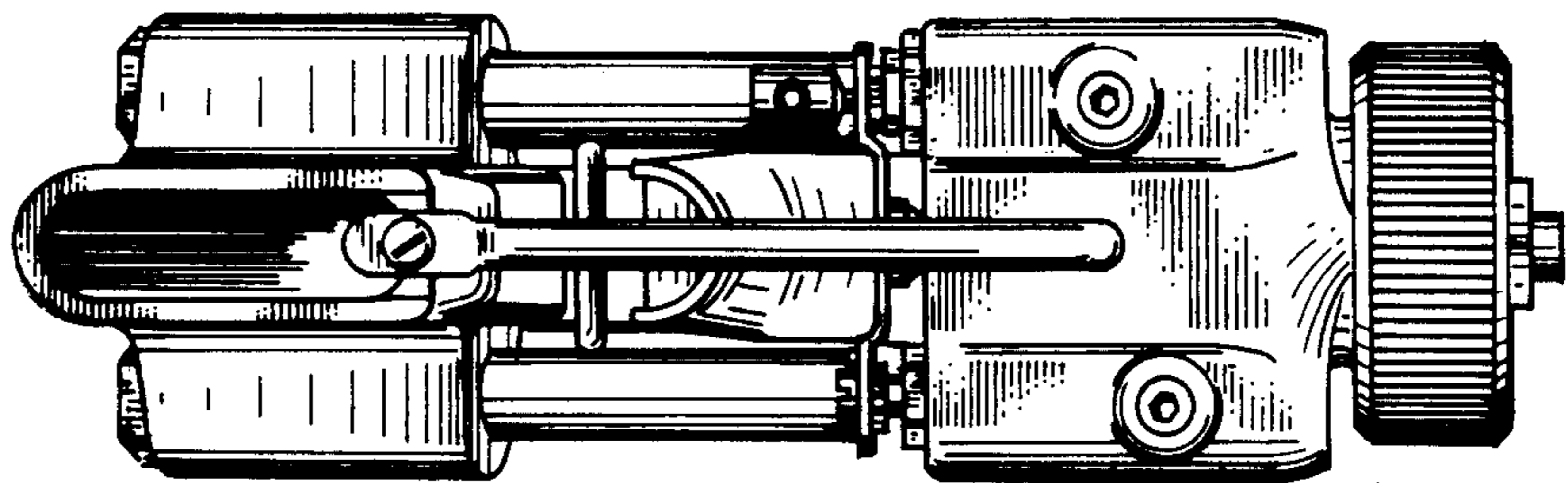


FIG. 6