

[54] ELECTRIC GRILL

[75] Inventor: Hans J. H. Julkenbeck, Wijnjeterp, Netherlands

[73] Assignee: U.S. Philips Corporation, New York, N.Y.

[\*\*] Term: 14 Years

[21] Appl. No.: 844,102

[22] Filed: Oct. 20, 1977

[30] Foreign Application Priority Data

Apr. 27, 1977 [XB] Benelux ..... 5184601

[51] Int. Cl. .... D15-08

[52] U.S. Cl. .... D15/106

[58] Field of Search ..... D15/106; D7/107, 110; 99/421, 419

[56]

References Cited

U.S. PATENT DOCUMENTS

D. 80,407 1/1930 Xippas ..... D15/106  
D. 191,813 11/1961 Murphy ..... D7/110  
2,012,702 8/1935 Zolotas ..... 99/421 P X

FOREIGN PATENT DOCUMENTS

1322858 1/1962 France ..... 99/419

Primary Examiner—Wallace R. Burke  
Assistant Examiner—Catherine Kemper  
Attorney, Agent, or Firm—Frank R. Trifari

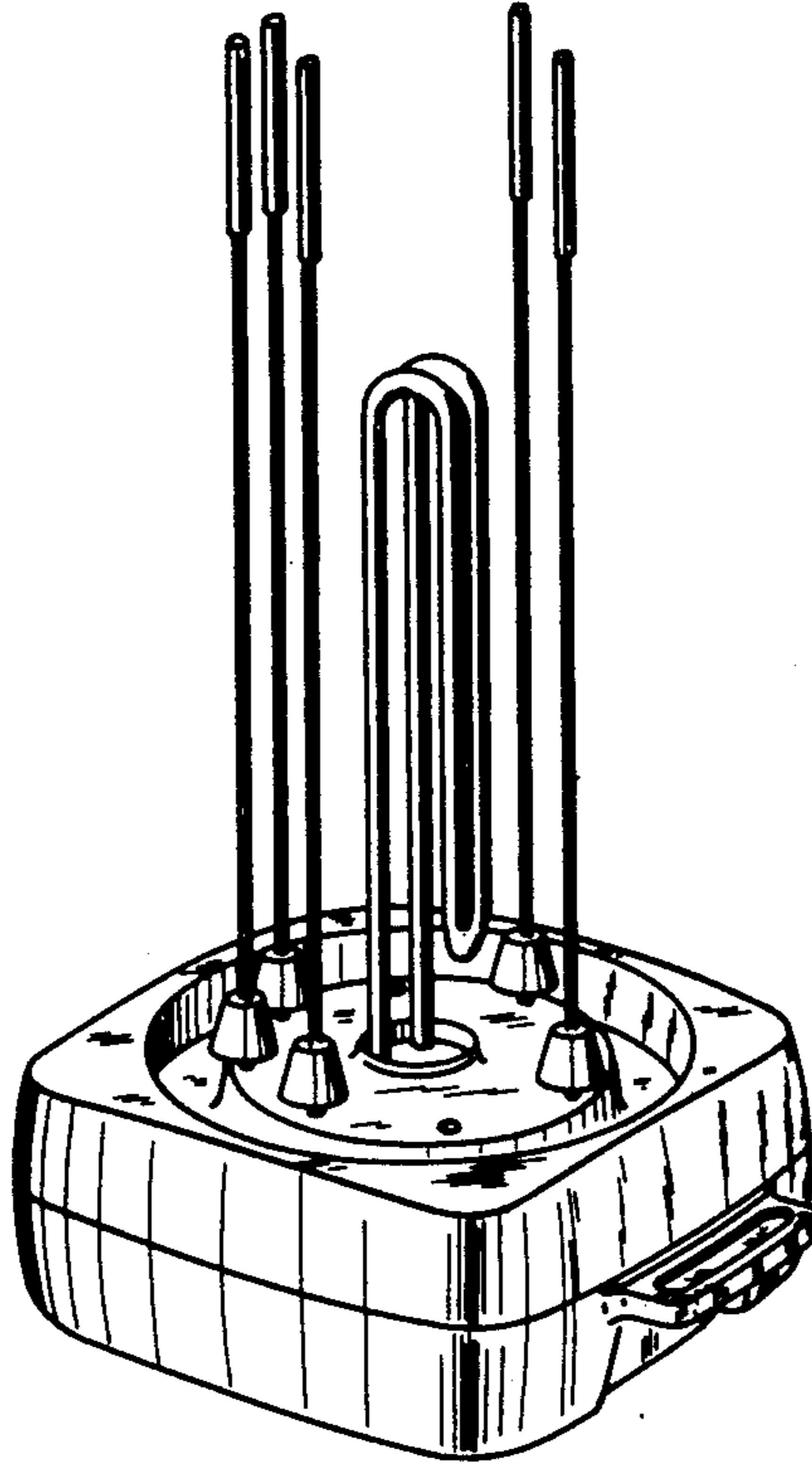
[57]

CLAIM

The ornamental design for an electric grill, as shown.

DESCRIPTION

FIG. 1 is a perspective view of an electric grill, showing my new design;  
FIG. 2 is a top plan view thereof;  
FIG. 3 is a bottom plan view thereof;  
FIG. 4 is a front elevational view thereof;  
FIG. 5 is a rear elevational view thereof;  
FIG. 6 is a left side elevational view thereof and;  
FIG. 7 is a right side elevational view thereof.



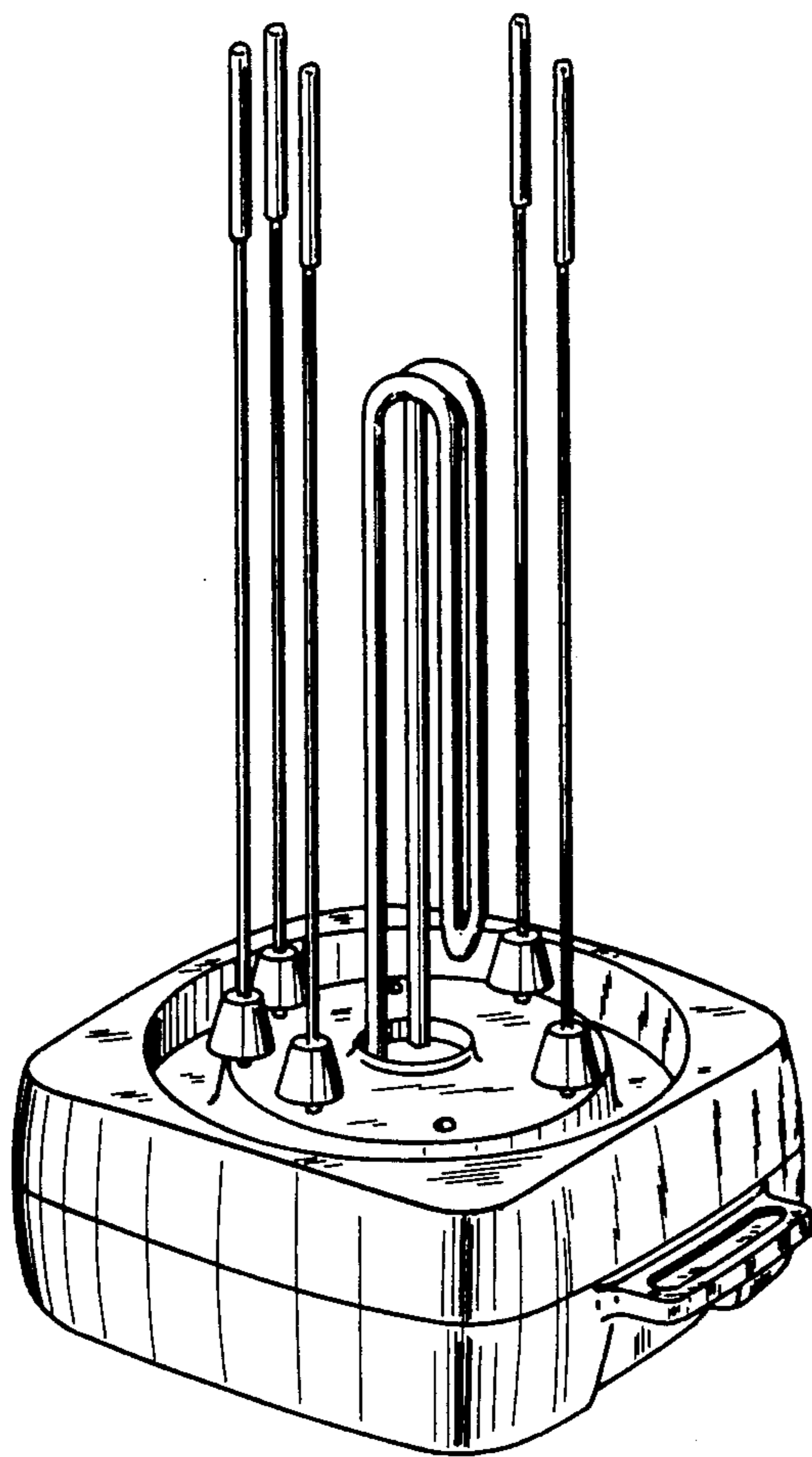


FIG. 1

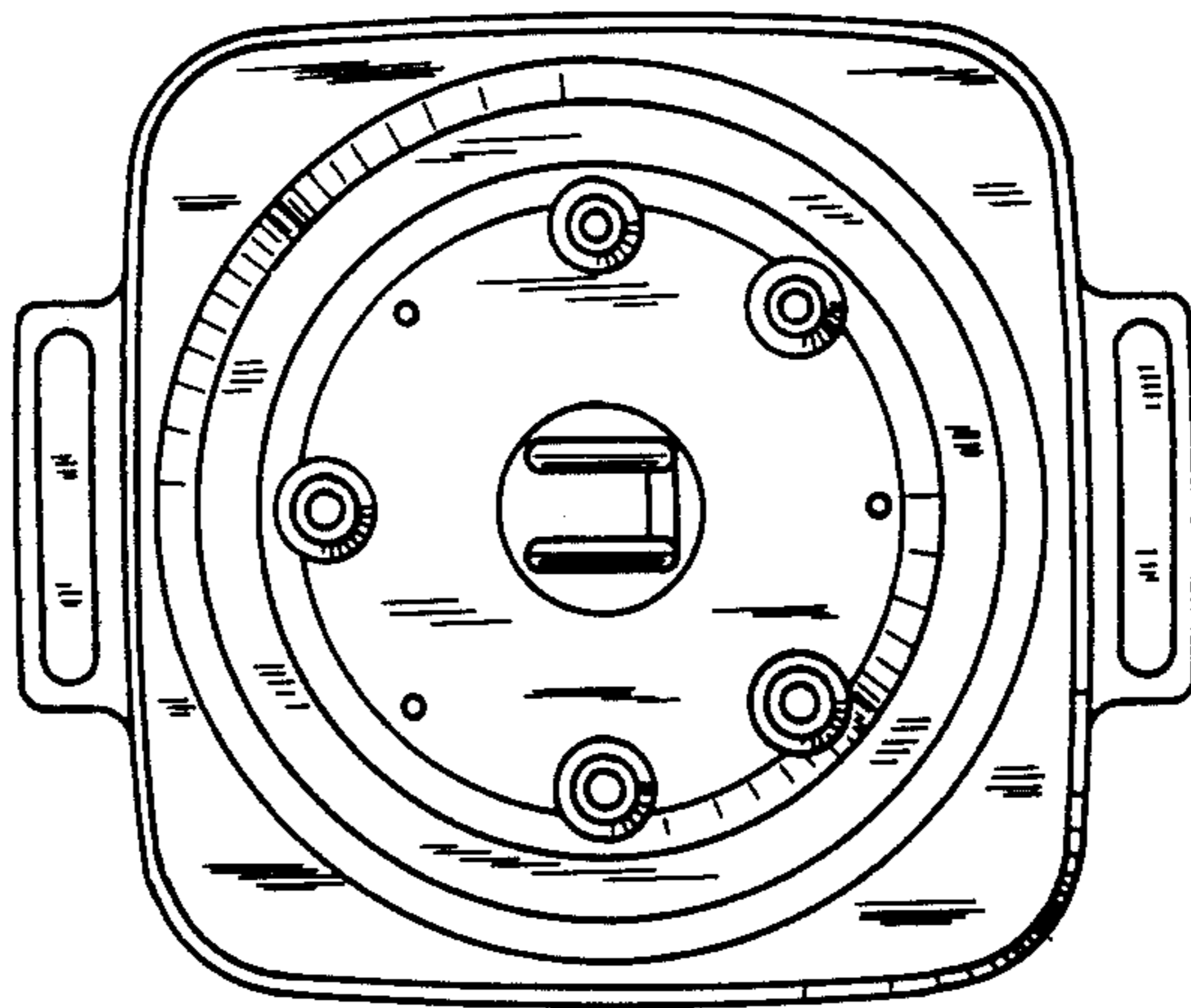


FIG. 2

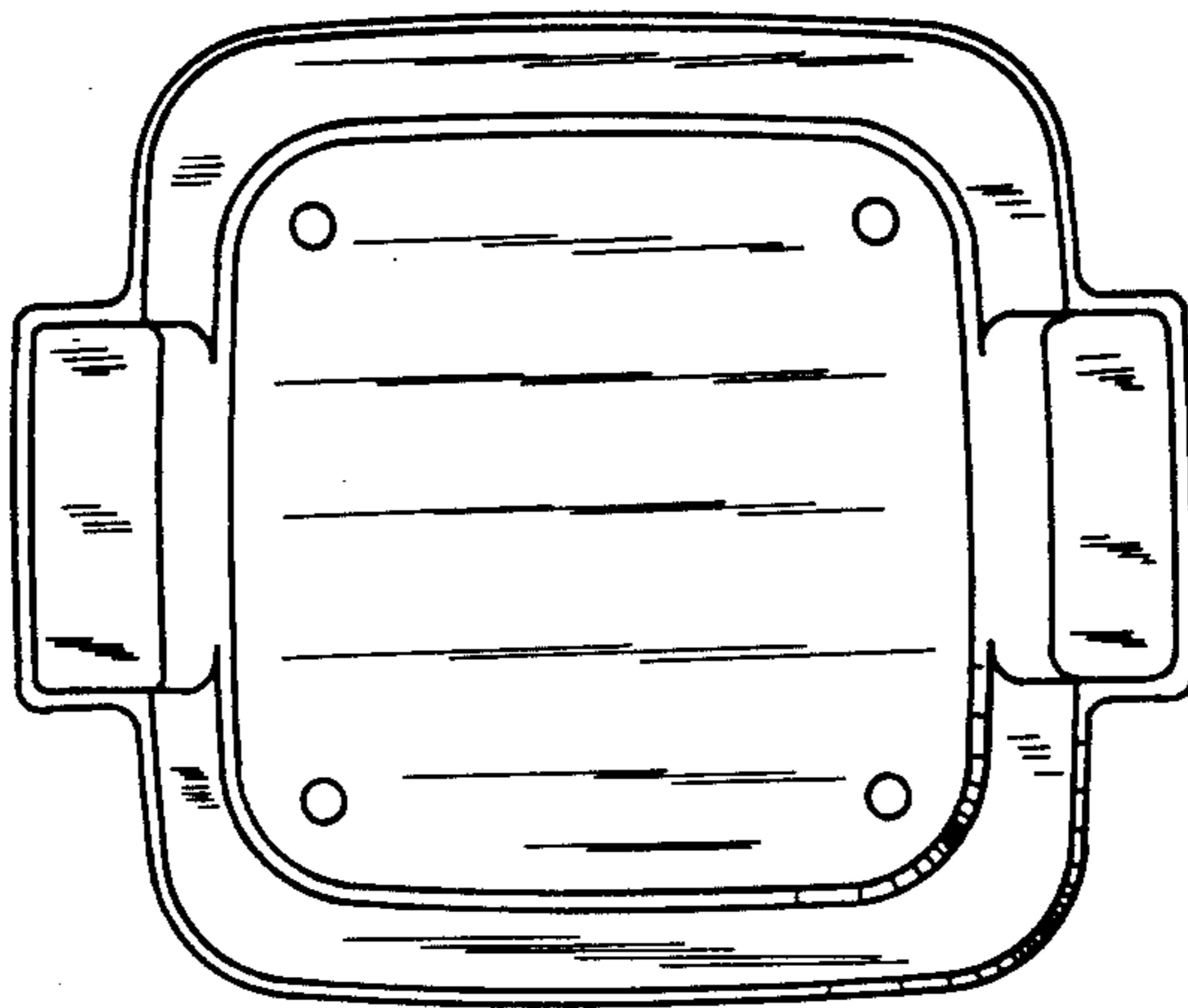


FIG. 3

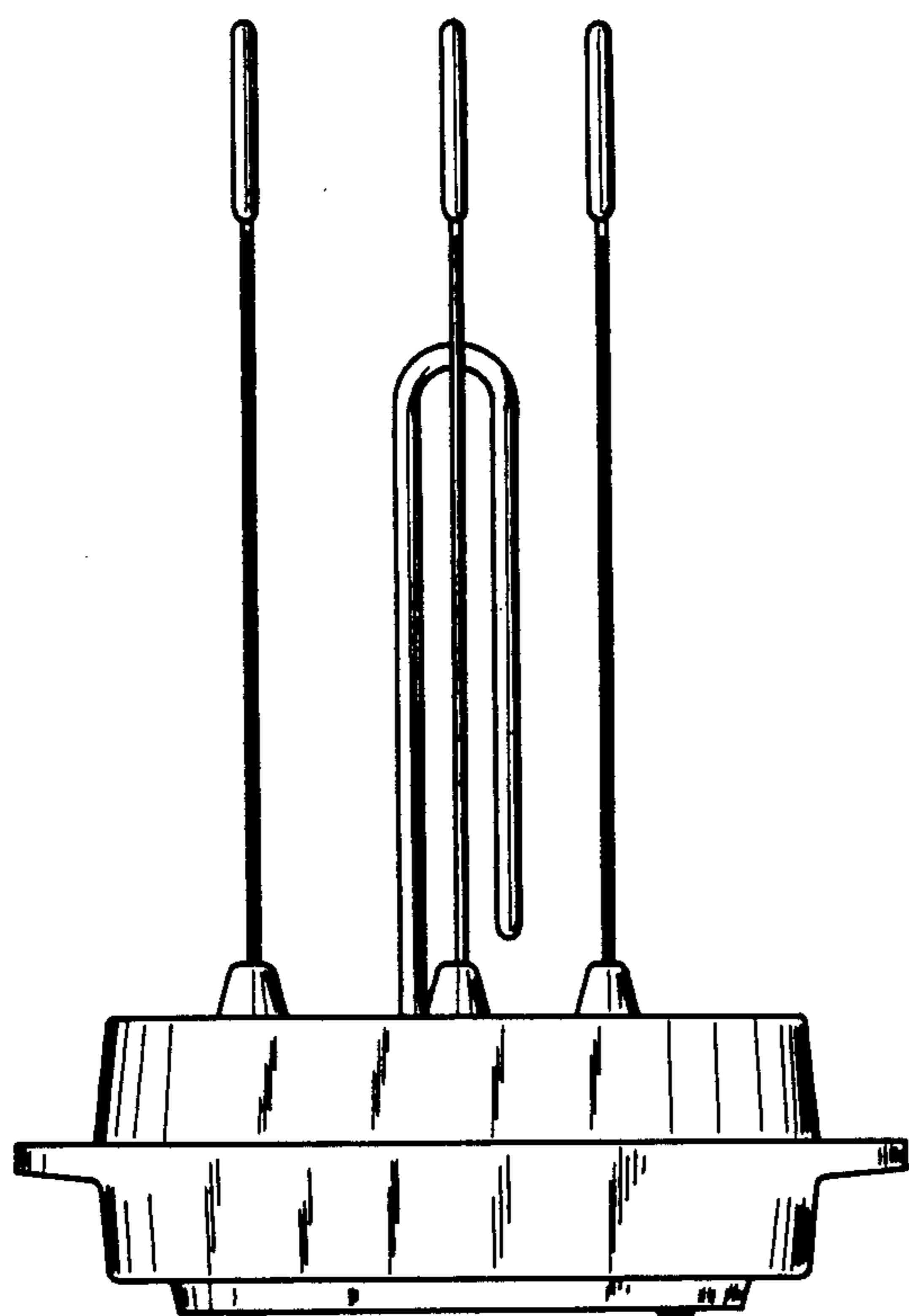


FIG. 4

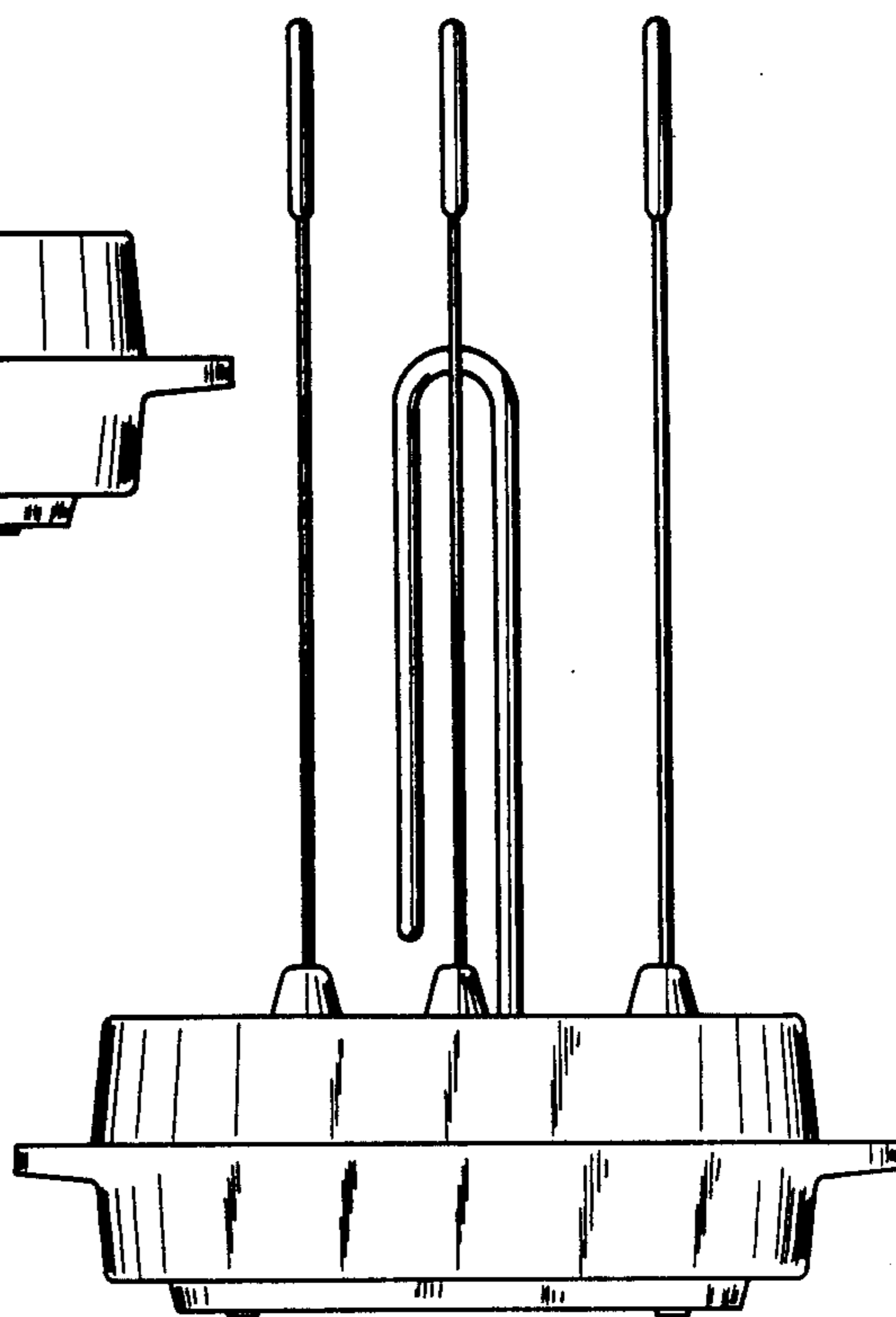


FIG. 5

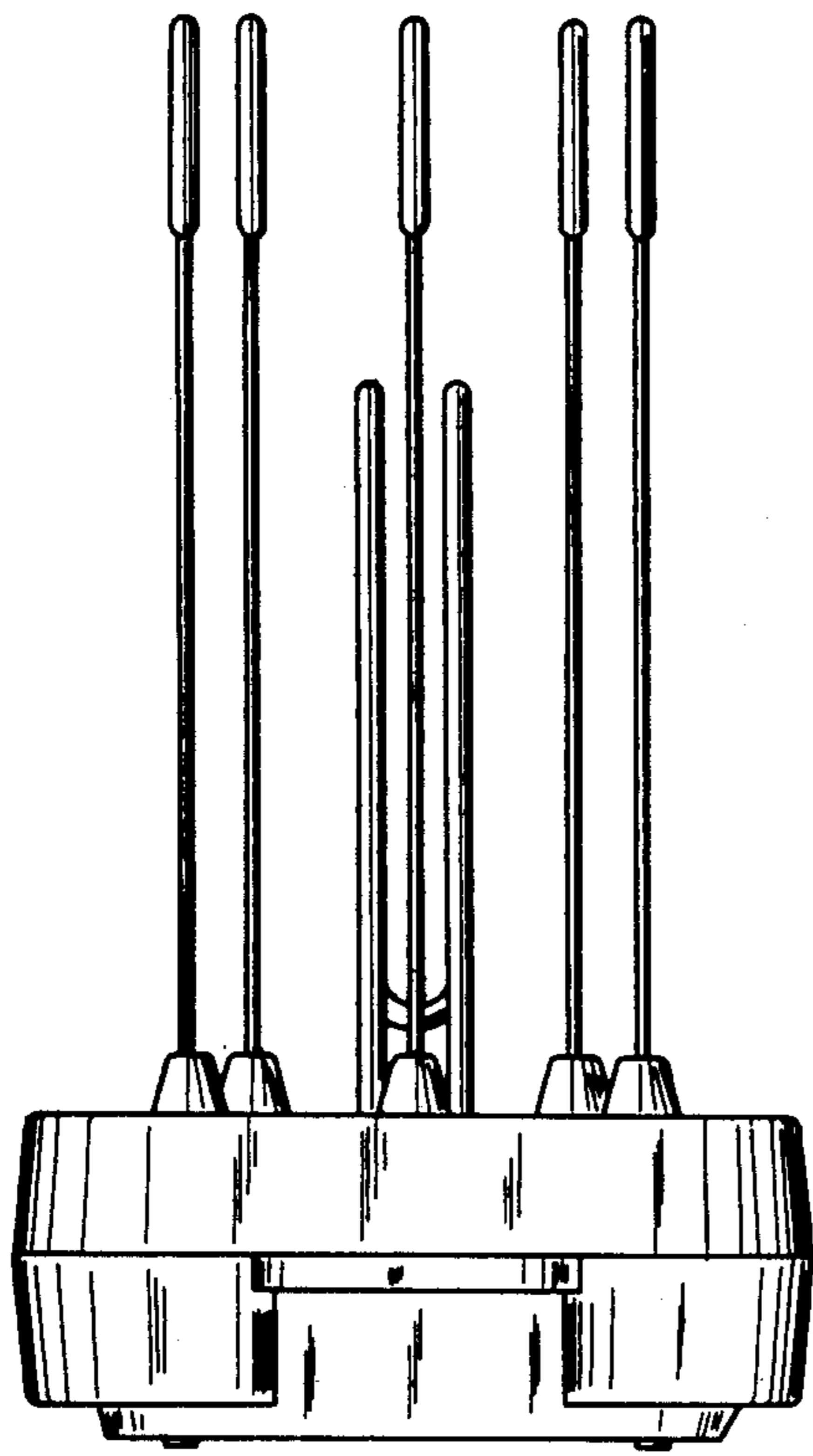


FIG. 6

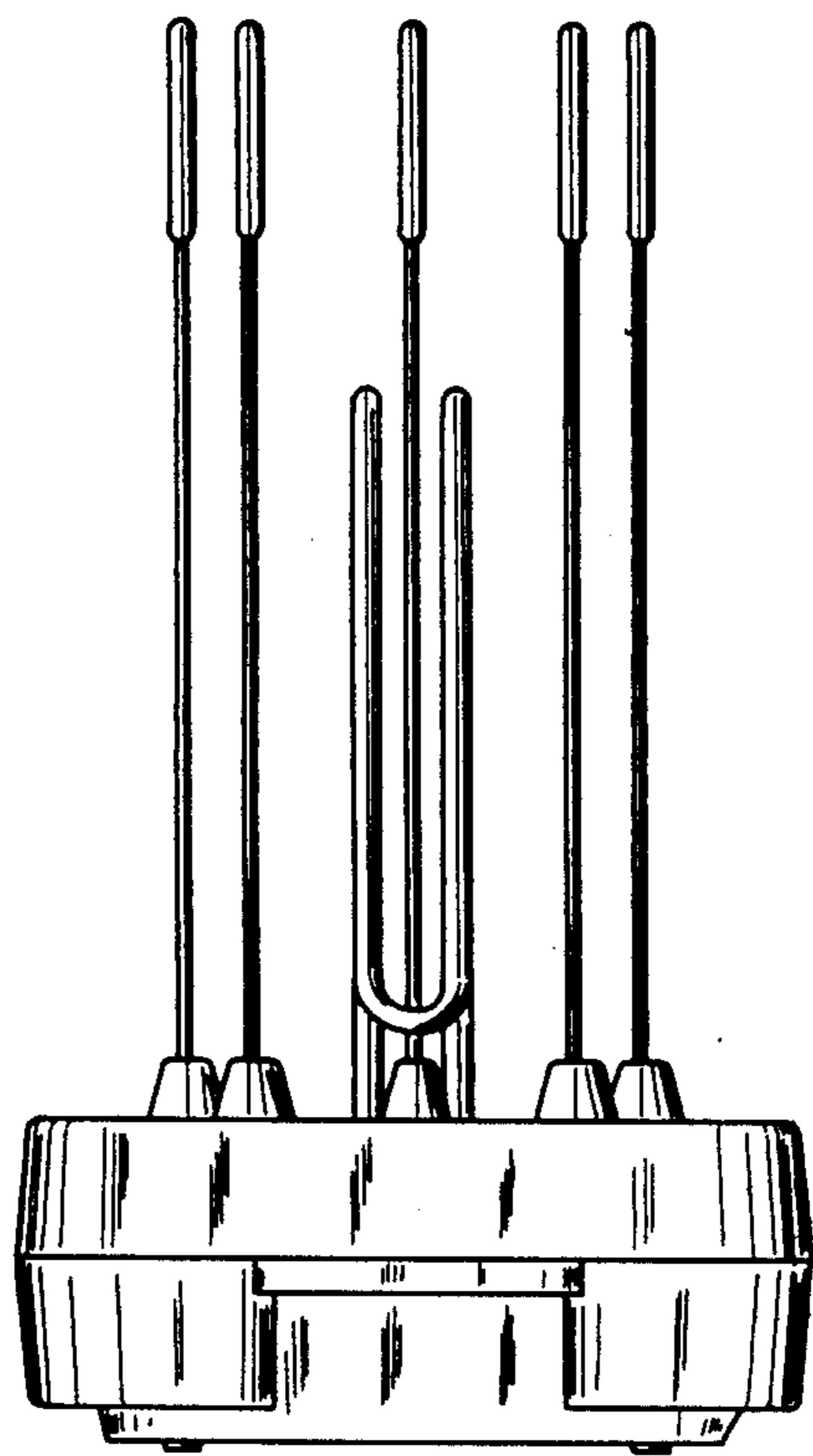


FIG. 7