

[54] HEAD FOR A SWIMMING POOL CLEANER

[56]

References Cited

U.S. PATENT DOCUMENTS

[76] Inventor: Andrew L. Pansini, 200 Golden Gate Ave., Belvedere, Calif. 94920

3,008,160	11/1961	West	15/1.7
3,172,415	3/1965	Maushund	15/1.7 X
3,961,393	6/1976	Pansini	15/1.7

[**] Term: 14 Years

Primary Examiner—Wallace R. Burke
Assistant Examiner—Catherine Kemper
Attorney, Agent, or Firm—Frank A. Neal

[21] Appl. No.: 847,304

[57] CLAIM

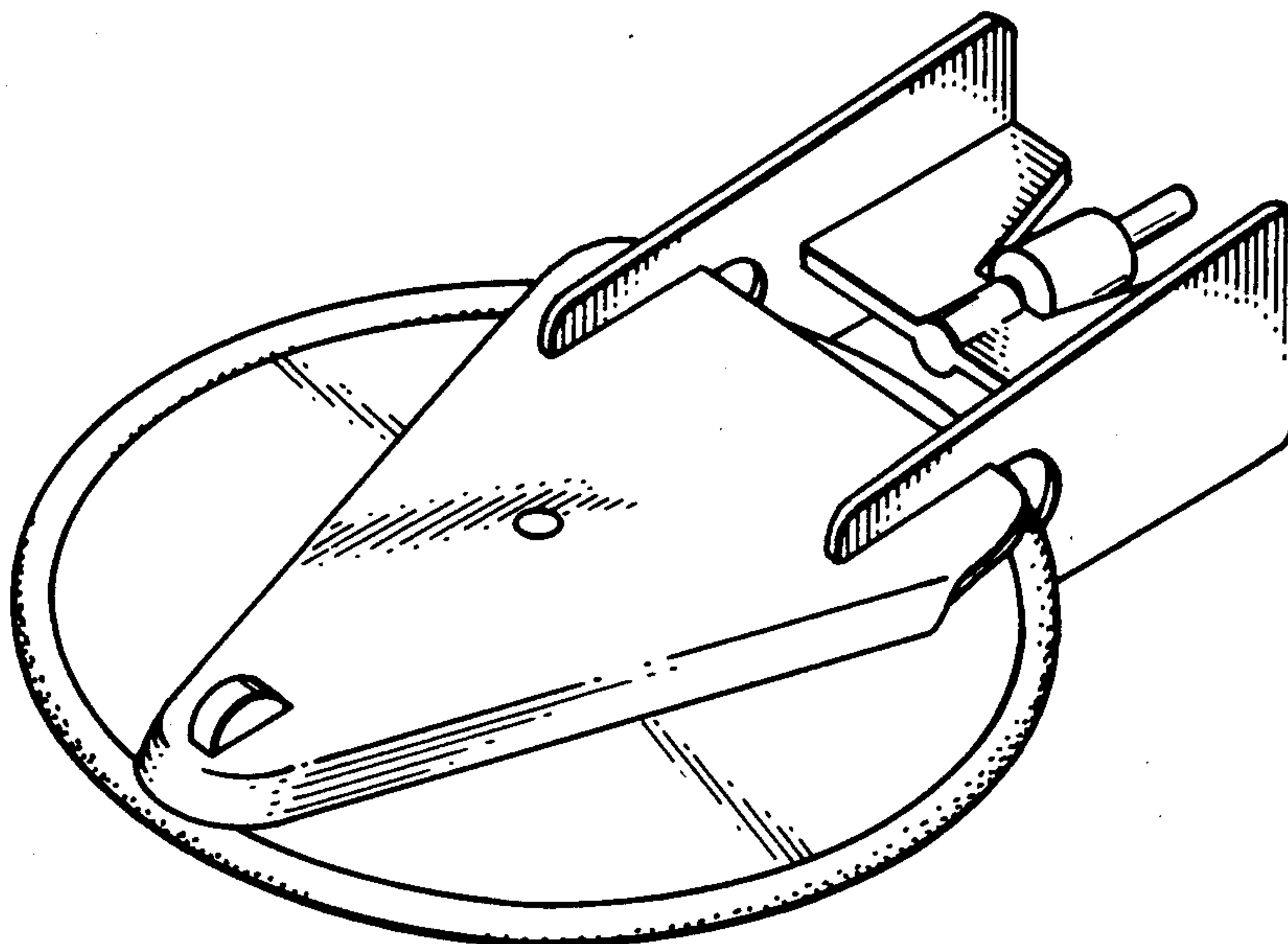
The ornamental design for a head for a swimming pool cleaner, as shown and described.

[22] Filed: Oct. 31, 1977

DESCRIPTION

[51] Int. Cl. D15—05
 [52] U.S. Cl. D15/56; D15/63
 [58] Field of Search D15/34, 48, 56, 62,
 D15/63, 64; 15/1.7, 415, 416, 417, 418, 419,
 420, 421, 422

FIG. 1 is a view in perspective of a head for a swimming pool cleaner, showing my new design;
 FIG. 2 is a top plan view thereof;
 FIG. 3 is a side elevational view thereof;
 FIG. 4 is a front elevational view thereof;
 FIG. 5 is a rear elevational view thereof.



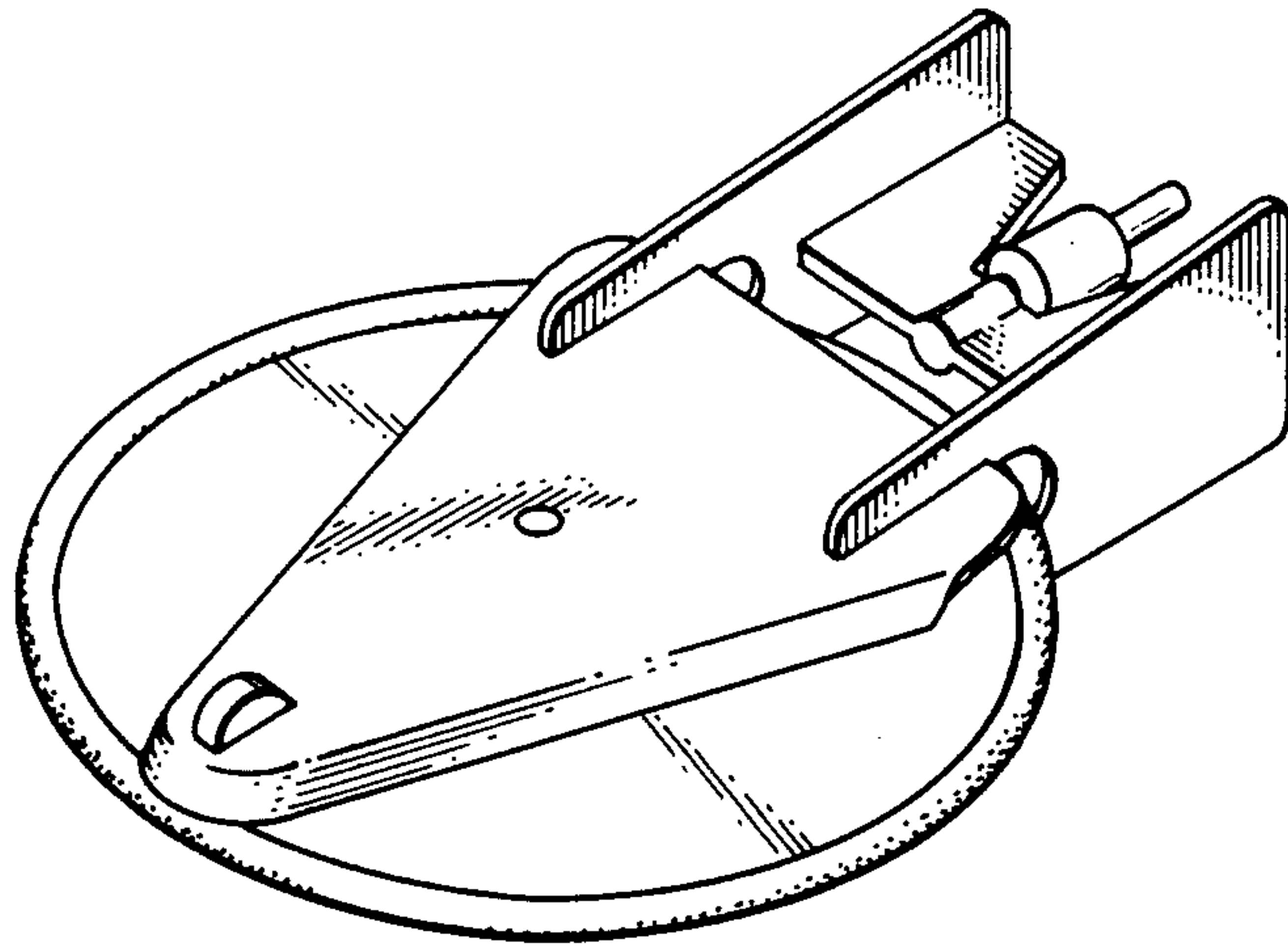


FIG. 1.

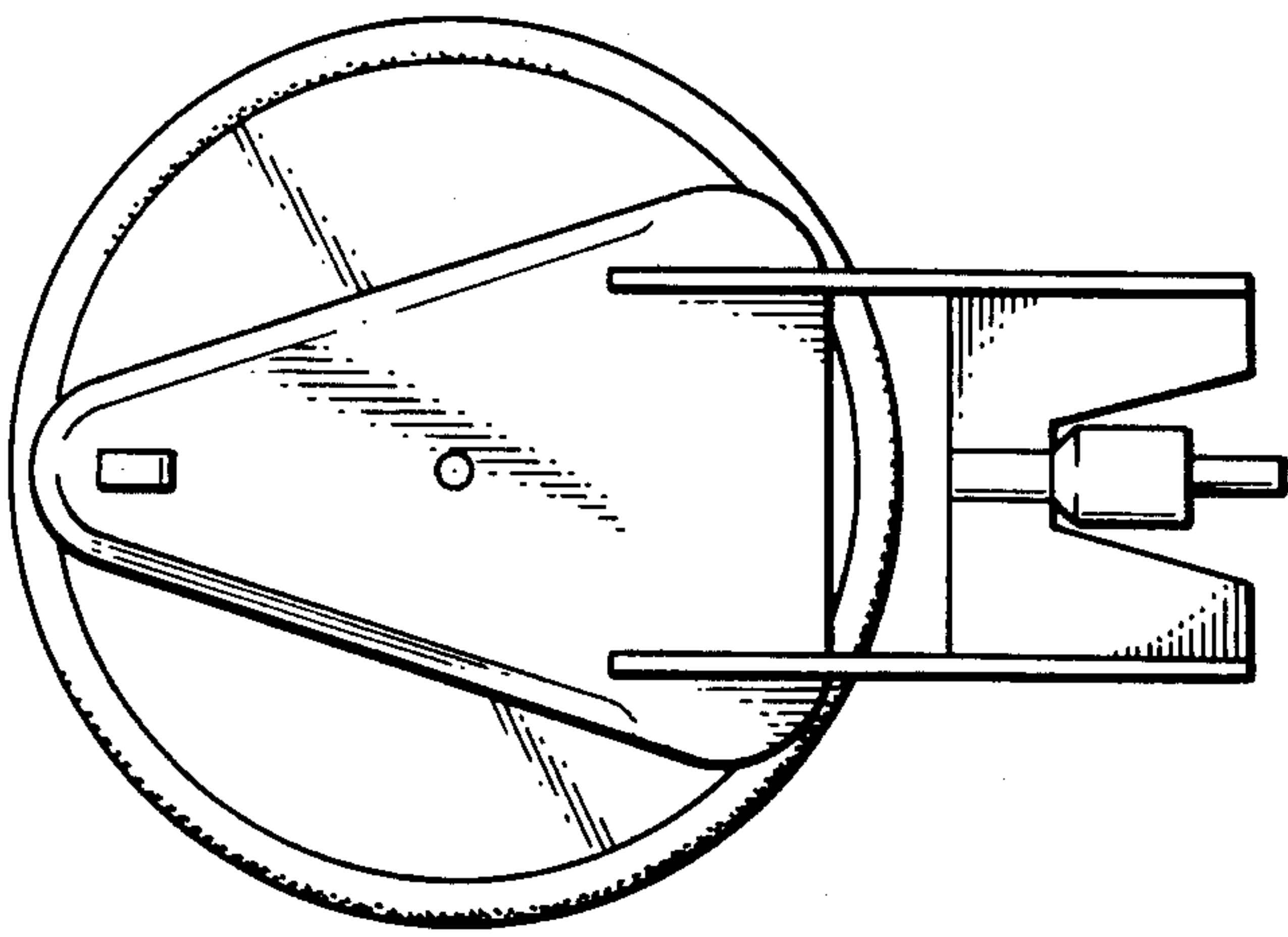


FIG. 2.

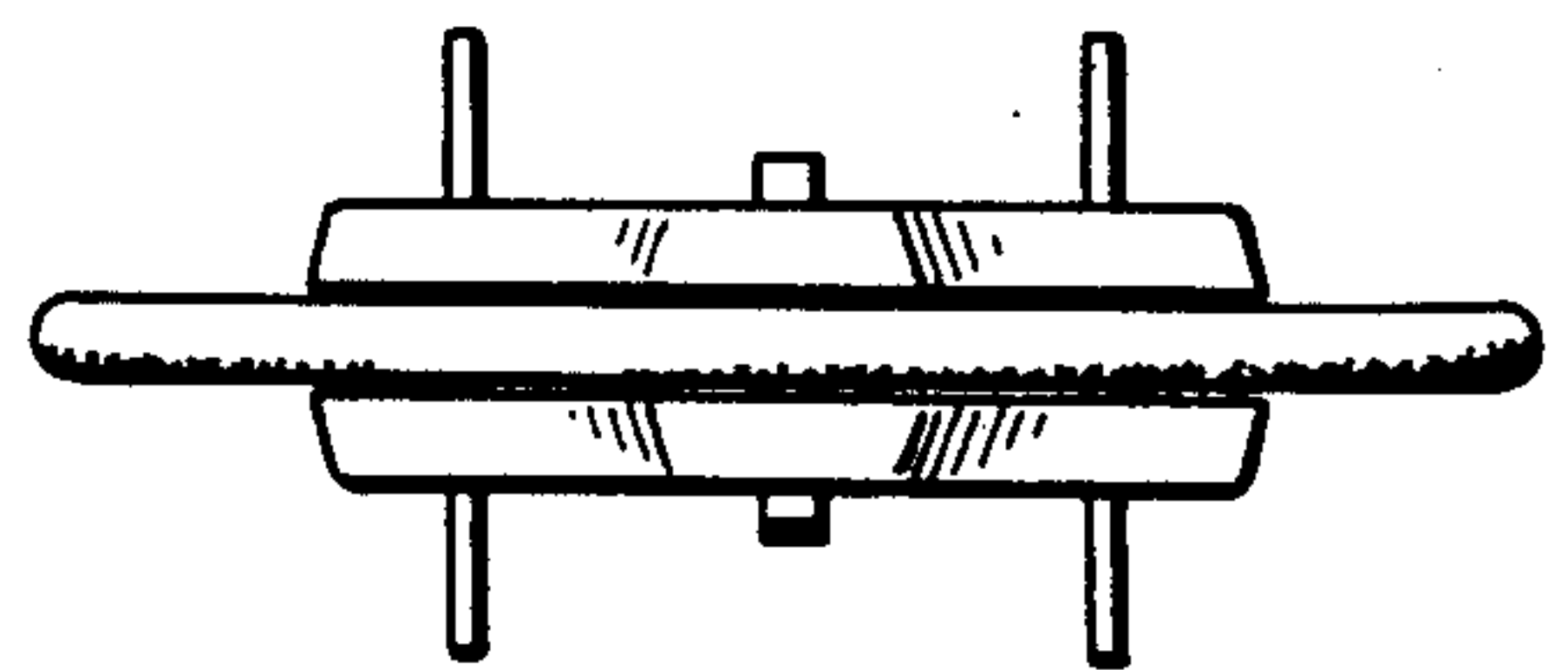


FIG. 4.

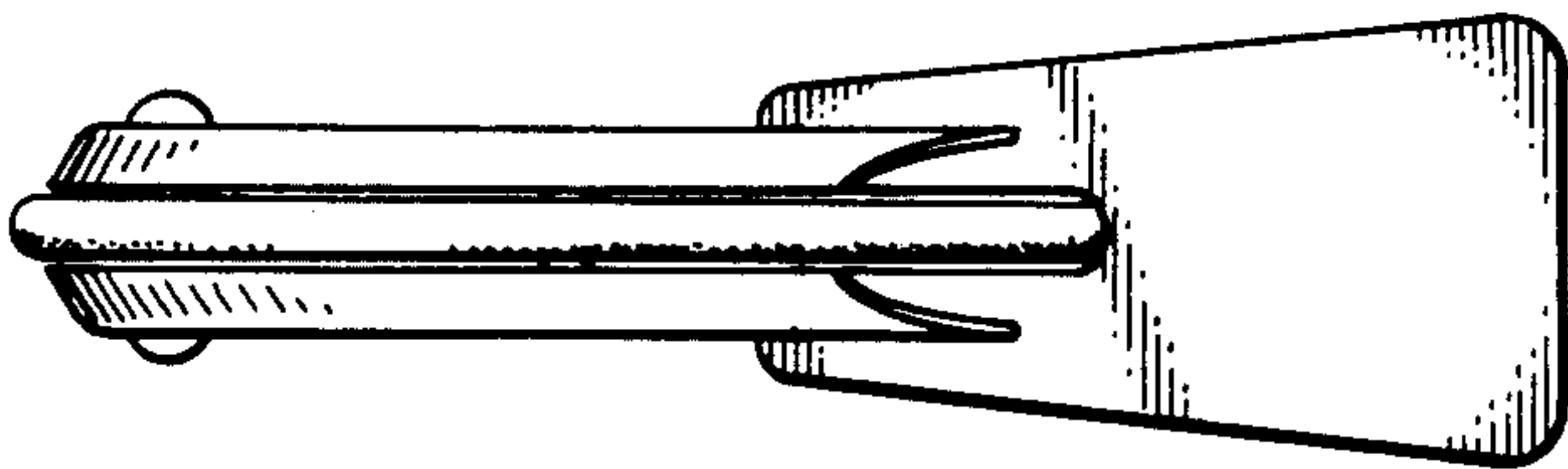


FIG. 3.

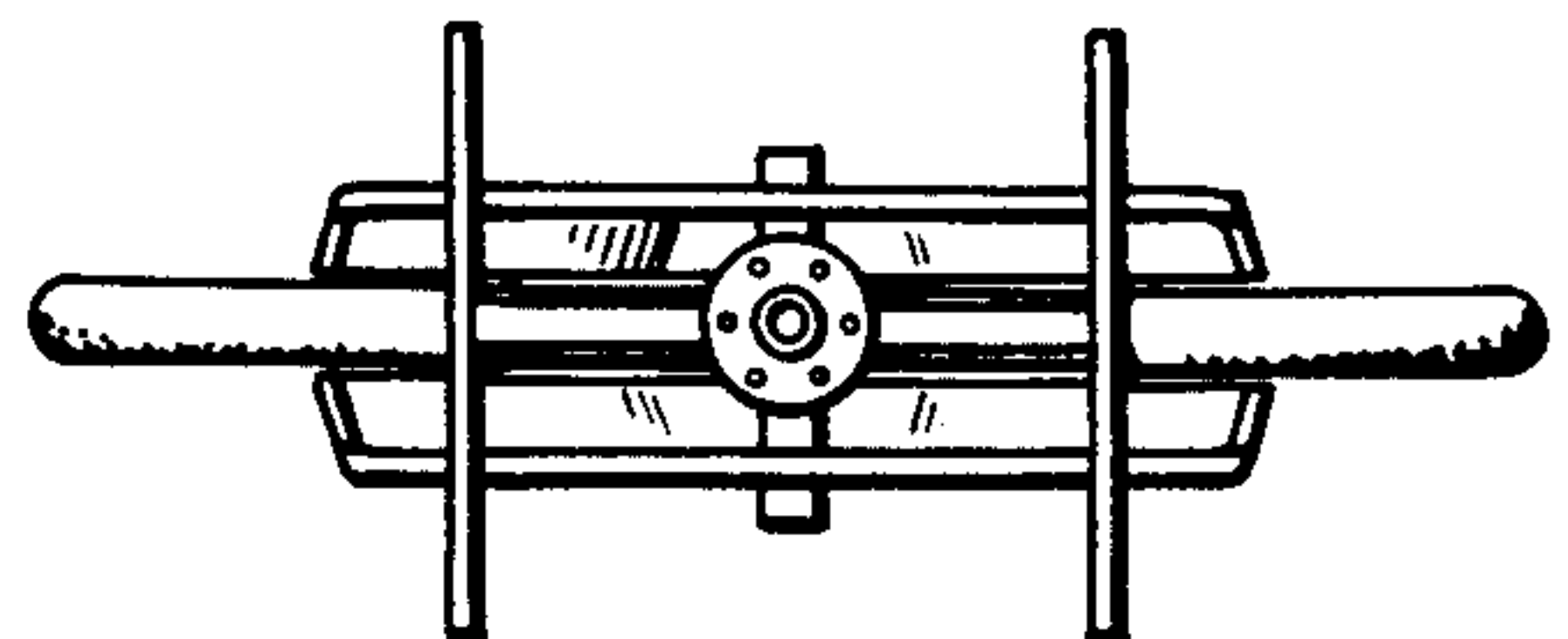


FIG. 5.