

[54] DOCUMENT COUNTER
[75] Inventor: Kenneth A. Hams, Nazareth, Pa.
[73] Assignee: Bell & Howell Company,
Phillipsburg, N.J.

2,131,912 10/1938 Brand D64/11 R
2,492,577 12/1949 Janke D64/11 R
2,805,825 9/1957 Jurgensen 235/98 R X
3,214,096 10/1965 Buchholz 235/98 R

[**] Term: 14 Years

[21] Appl. No.: 765,025

[22] Filed: Feb. 2, 1977

[51] Int. Cl. D10-04

[52] U.S. Cl. D10/97; D64/11 R

[58] Field of Search D10/97; D64/11 R;
235/98 R, 58 CF

OTHER PUBLICATIONS

Office Appliances-3/65-p. 74-Machine at center.

Primary Examiner-Nelson C. Holtje

Attorney, Agent, or Firm-B. Franklin Griffin, Jr.

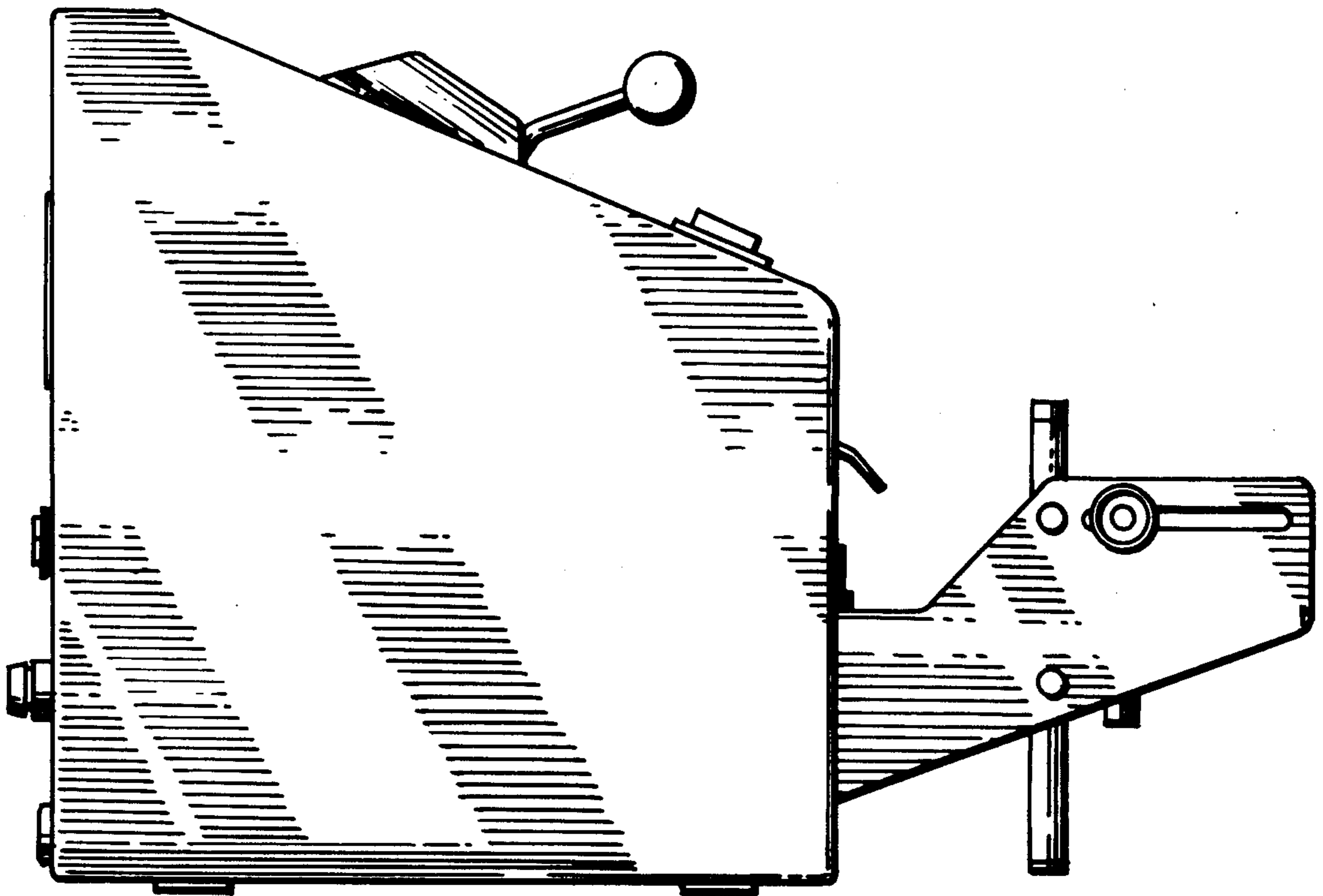
[57] CLAIM

The ornamental design for a document counter, as shown.

DESCRIPTION

FIG. 1 is a front elevational view of a document counter showing my new design;
FIG. 2 is a rear elevational view thereof;
FIG. 3 is a top plan view thereof;
FIG. 4 is a right side elevational view thereof; and
FIG. 5 is a left side elevational view thereof.

[56] References Cited
U.S. PATENT DOCUMENTS
D. 164,125 7/1951 O'Neil D64/11 R
D. 233,936 12/1974 Jones D10/97



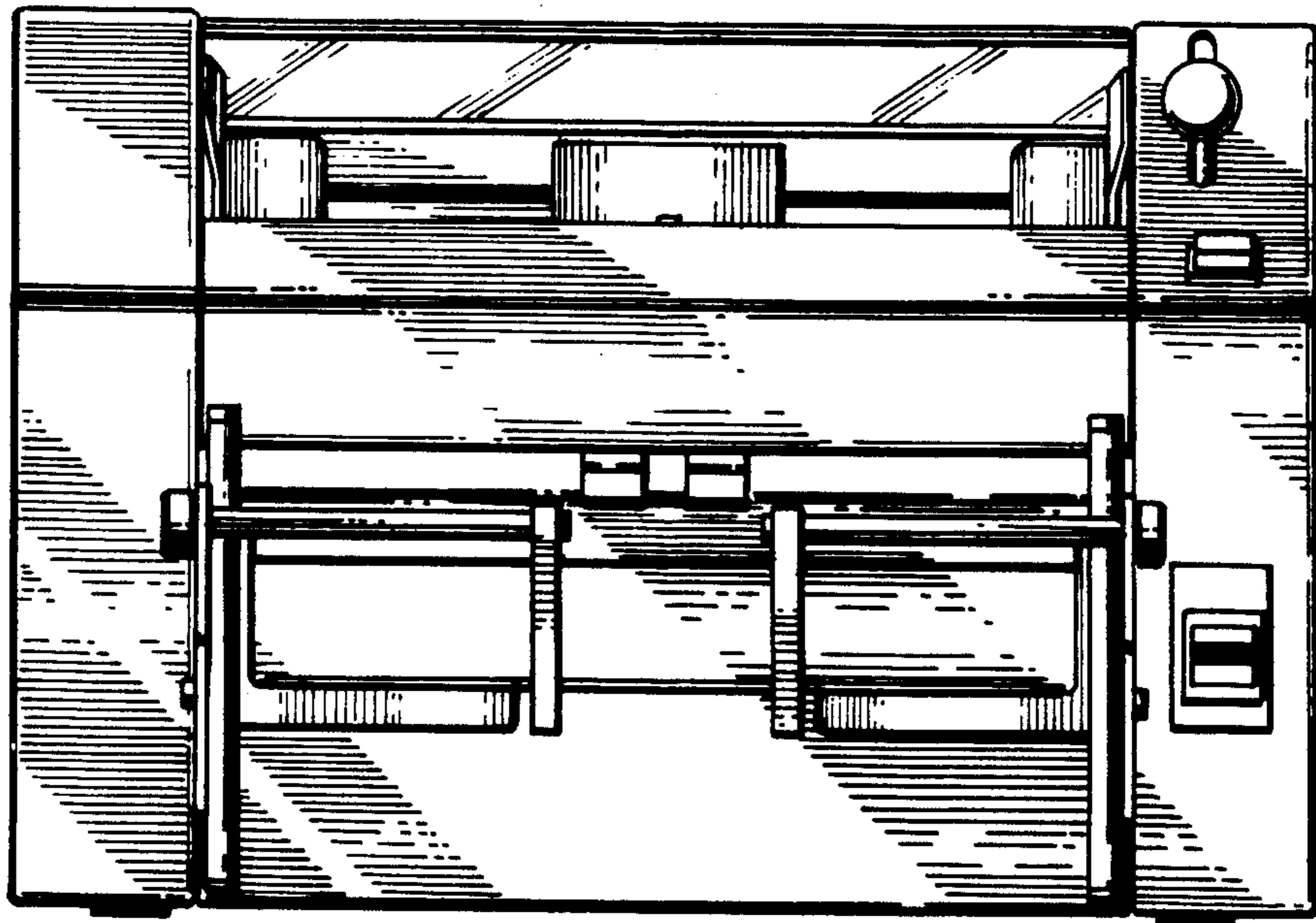
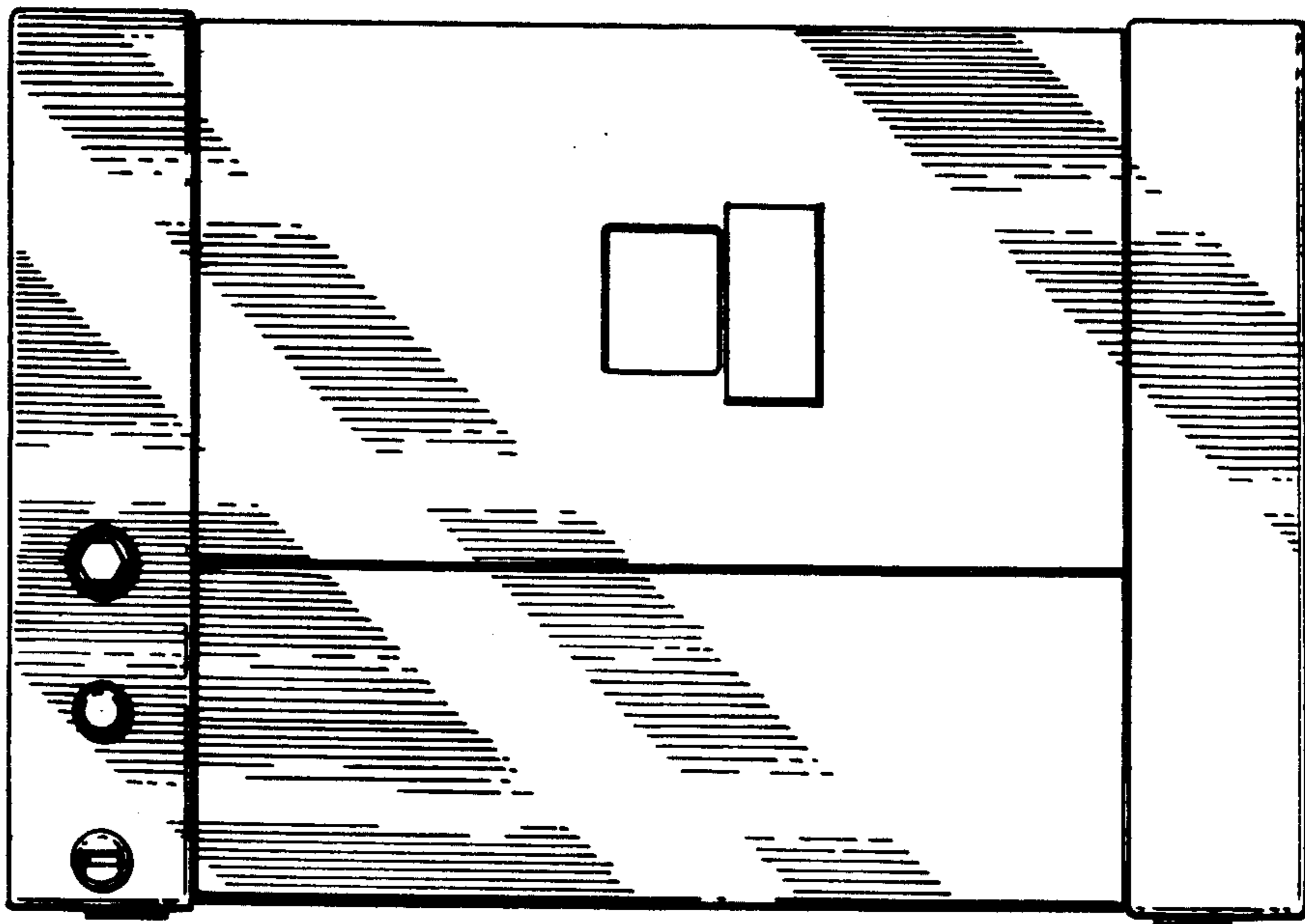


FIG. 1

FIG. 2



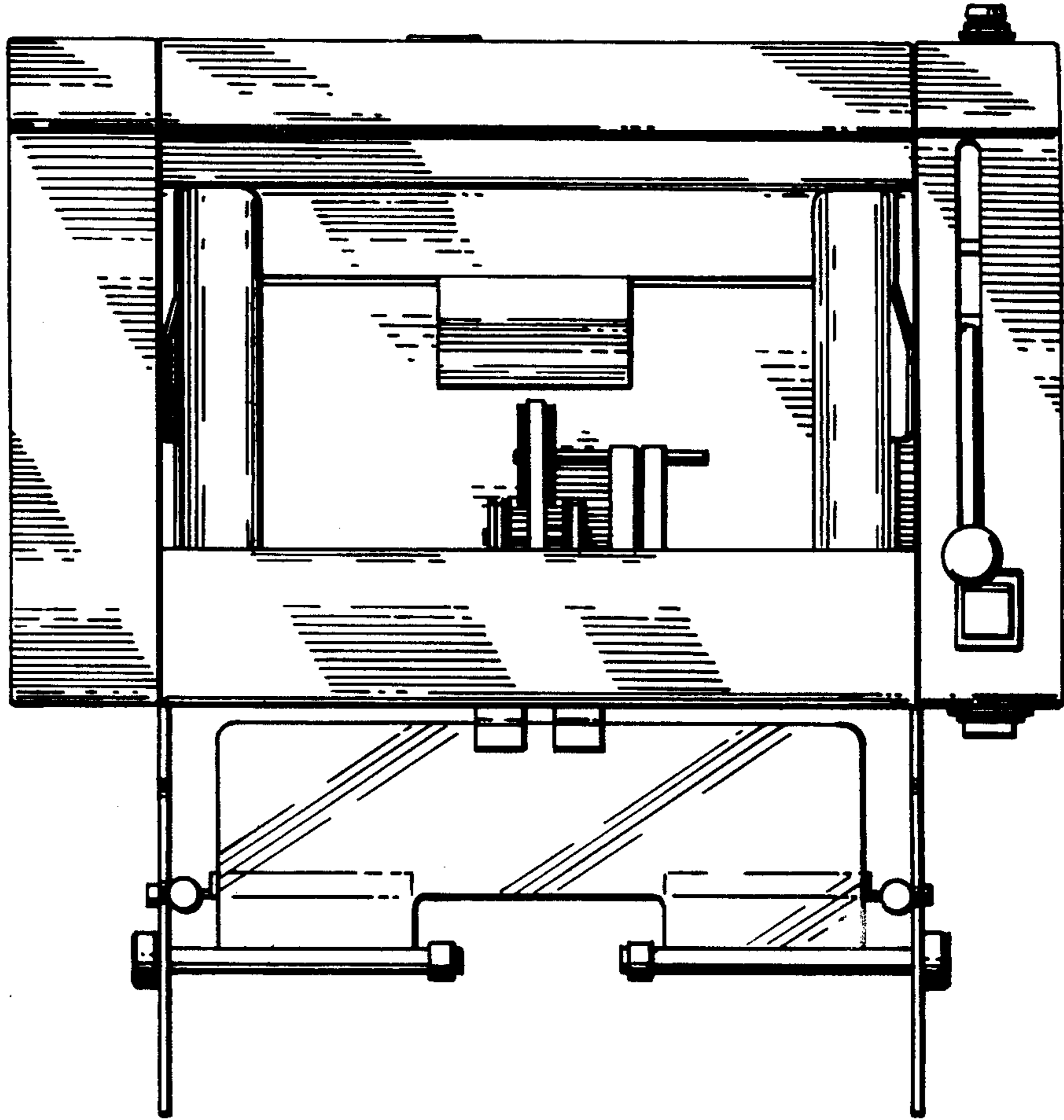


FIG. 3

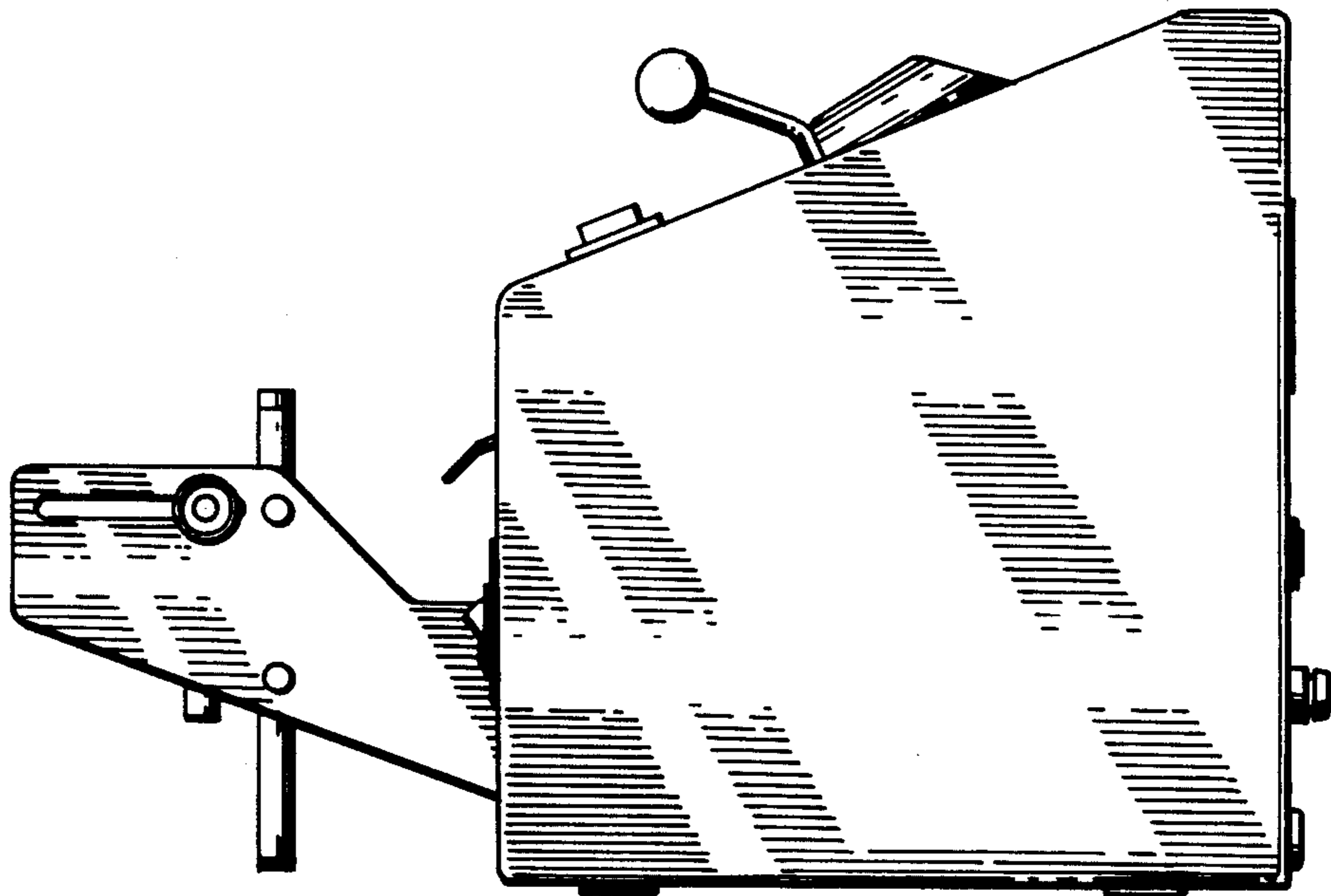


FIG. 4

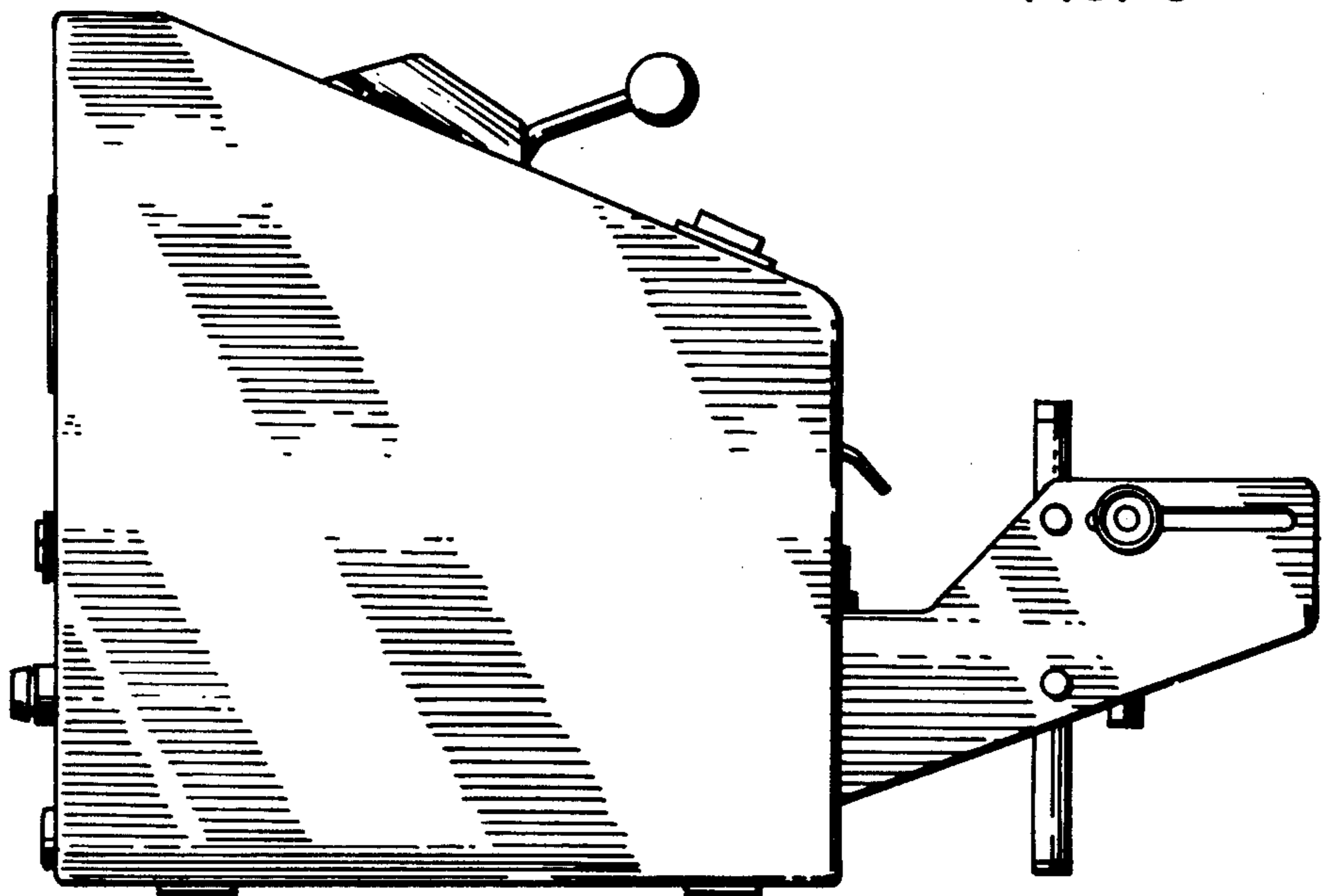


FIG. 5