

[54] DISPLAY BRACKET

[75] Inventor: Edward Lieberman, Mt. Kisco, N.Y.

[73] Assignee: Audiovox Corporation, Hauppauge, N.Y.

[**] Term: 14 Years

[21] Appl. No.: 801,294

[22] Filed: May 27, 1977

[51] Int. Cl. D8-08

[52] U.S. Cl. D8/373

[58] Field of Search D8/354, 355, 363, 366, D8/373, 380, 381, 499; 248/248, 475 R, 488, 235, 200, 300, 301

[56] References Cited

U.S. PATENT DOCUMENTS

D. 171,075 12/1953 Bellon et al. D8/381 X

D. 186,193 9/1959 Olsen D8/373 X
3,008,585 11/1961 McNeill D8/381 X
4,049,226 9/1977 Harvey D8/381 X

Primary Examiner—A. Hugo Word

[57] CLAIM

The ornamental design for a display bracket, as shown and described.

DESCRIPTION

FIG. 1 is a perspective view of a display bracket, showing my new design;

FIG. 2 is a front elevational view of the display bracket;

FIG. 3 is a rear elevational view of the display bracket;

FIG. 4 is a side elevational view of the display bracket, as seen from the right of FIG. 2;

FIG. 5 is a side elevational view of the display bracket, as seen from the left of FIG. 2;

FIG. 6 is a top plan view of the display bracket; and

FIG. 7 is a bottom plan view of the display bracket.

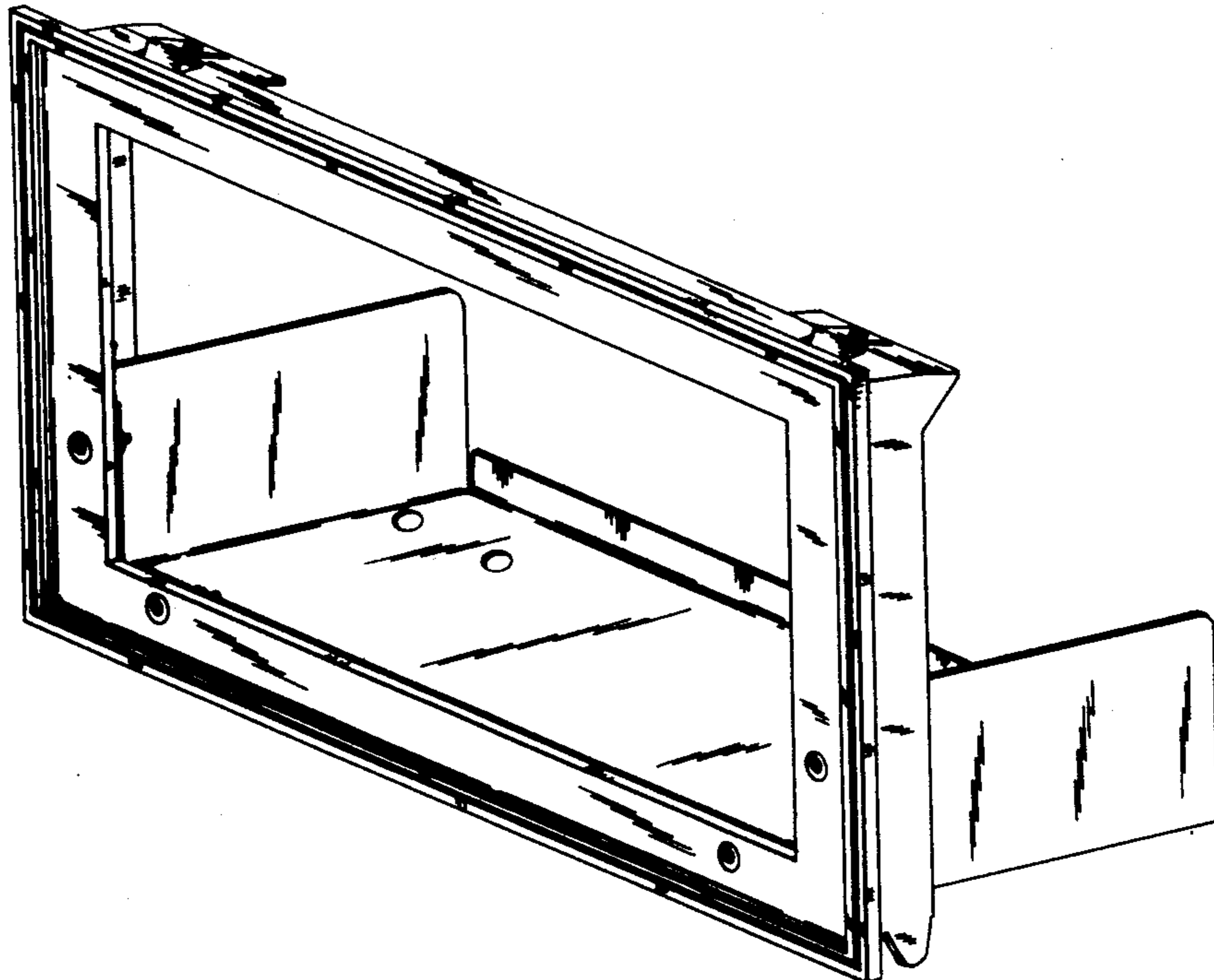


FIG. 1

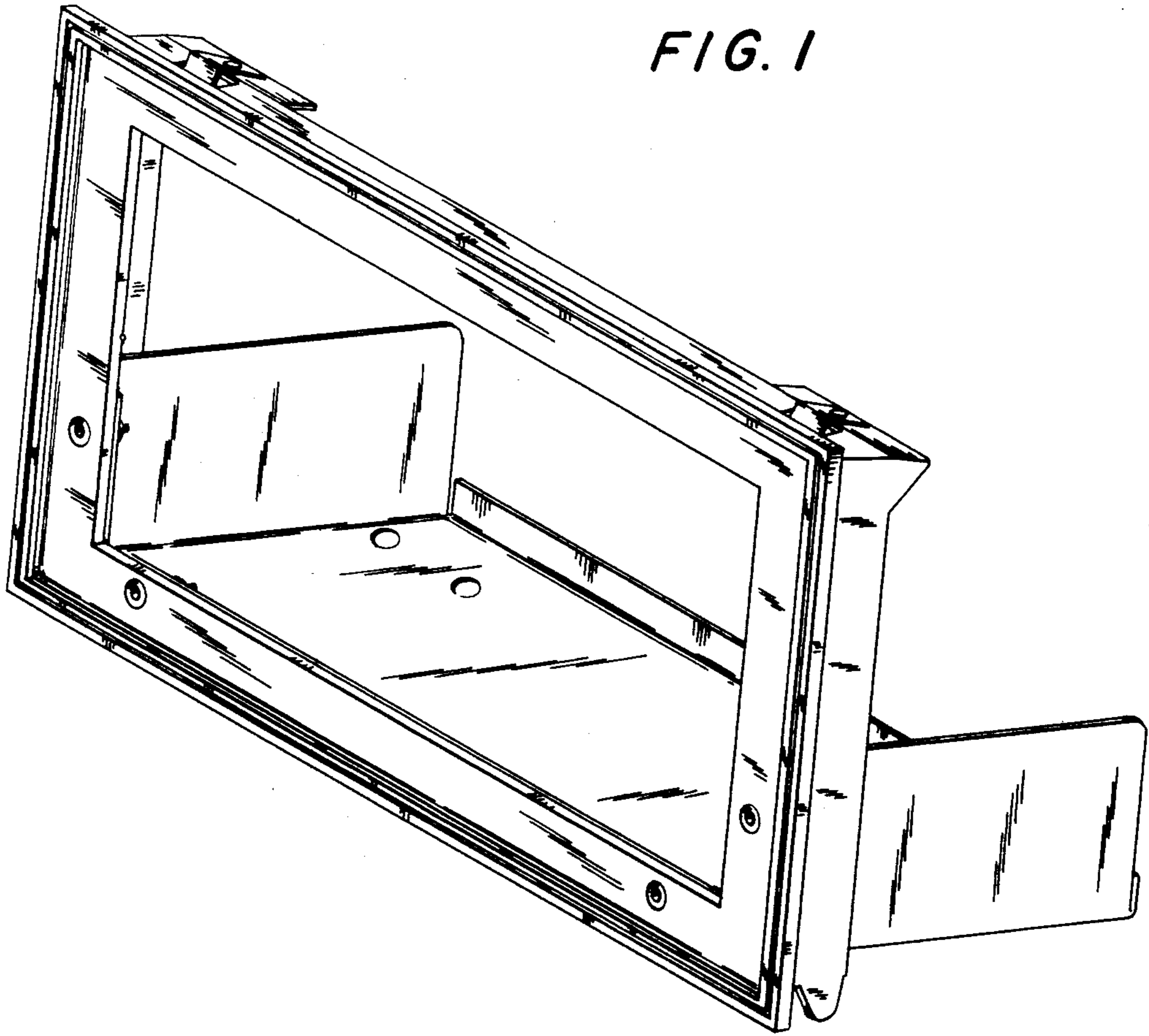


FIG. 2

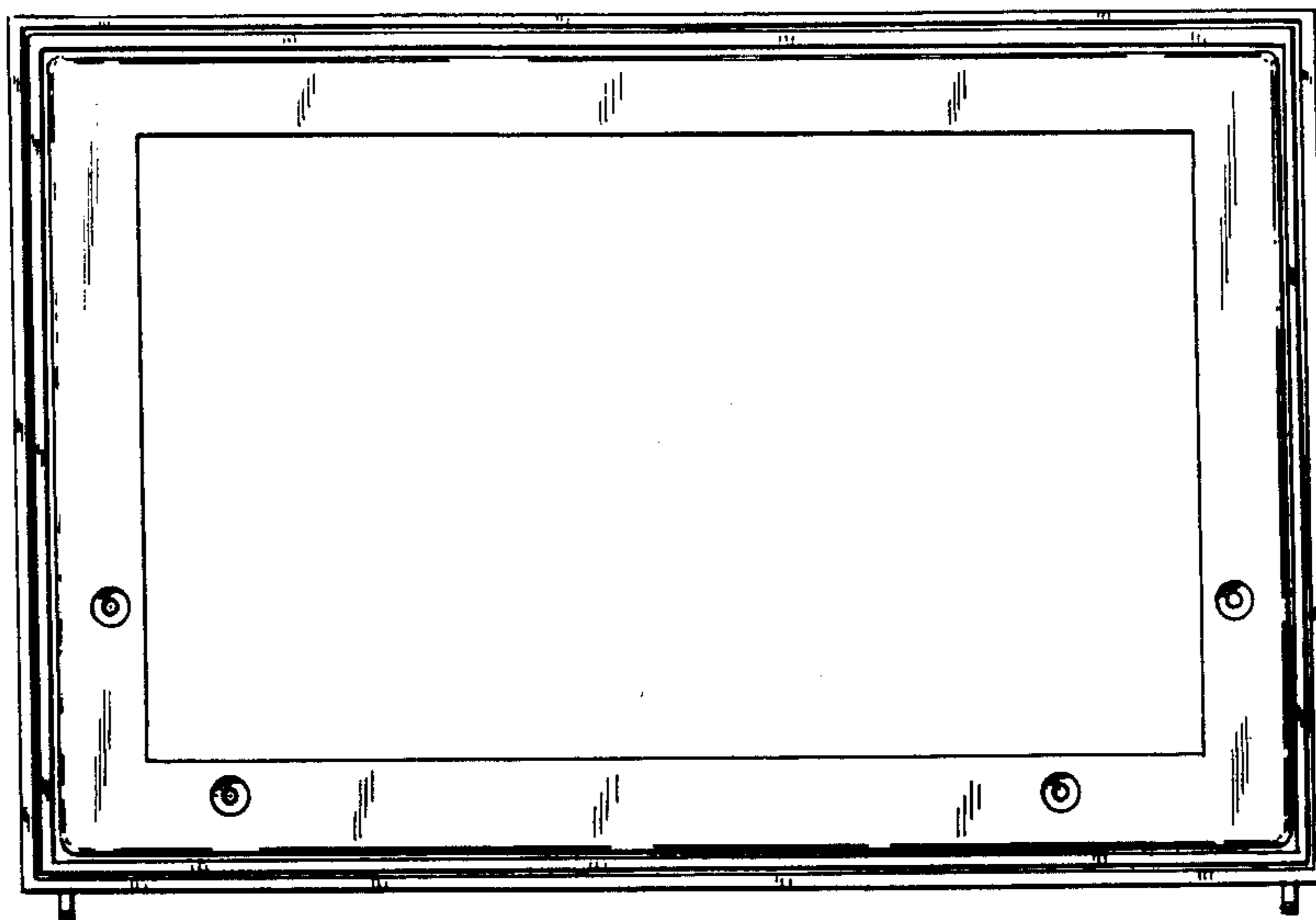


FIG. 3

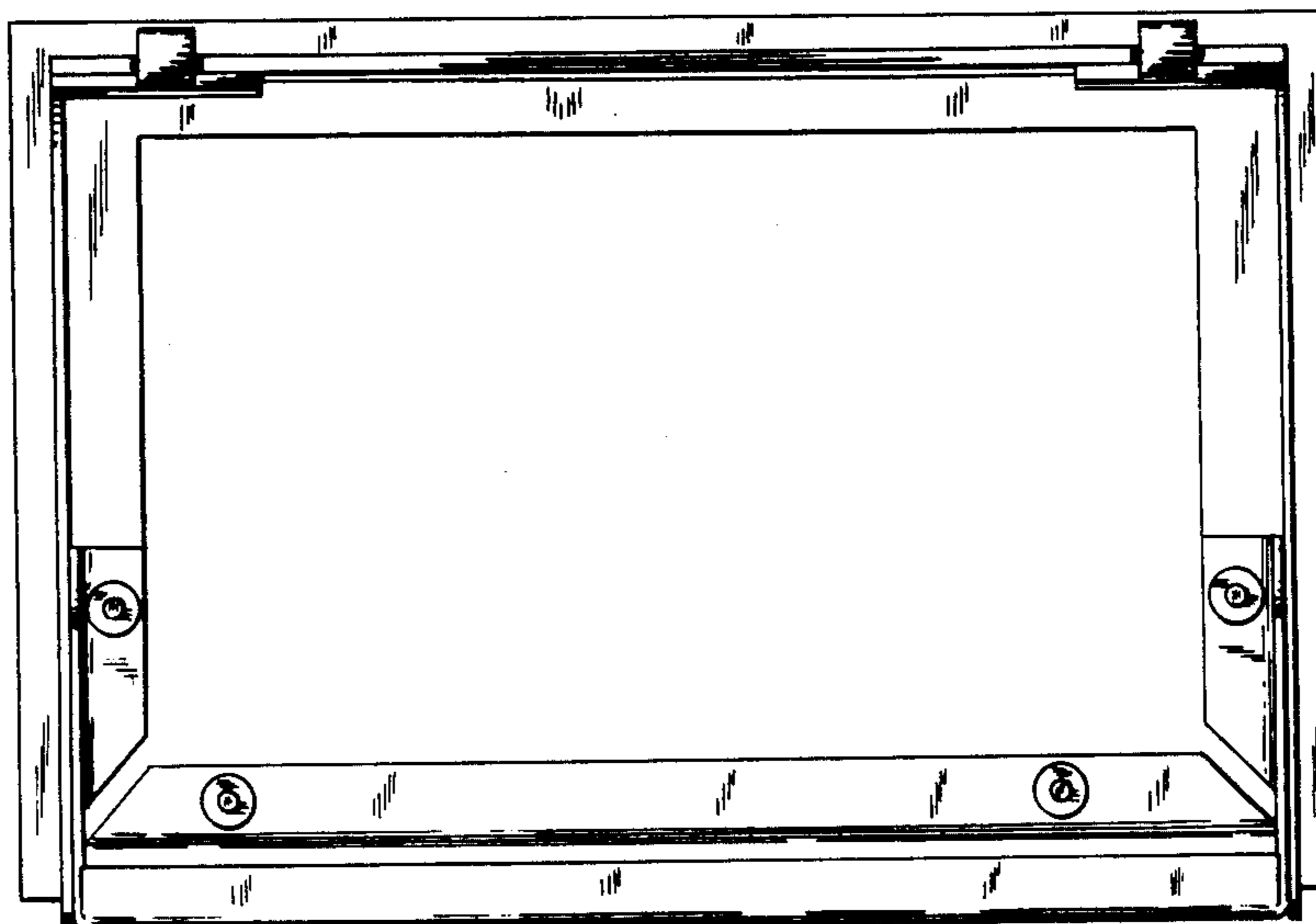


FIG. 4

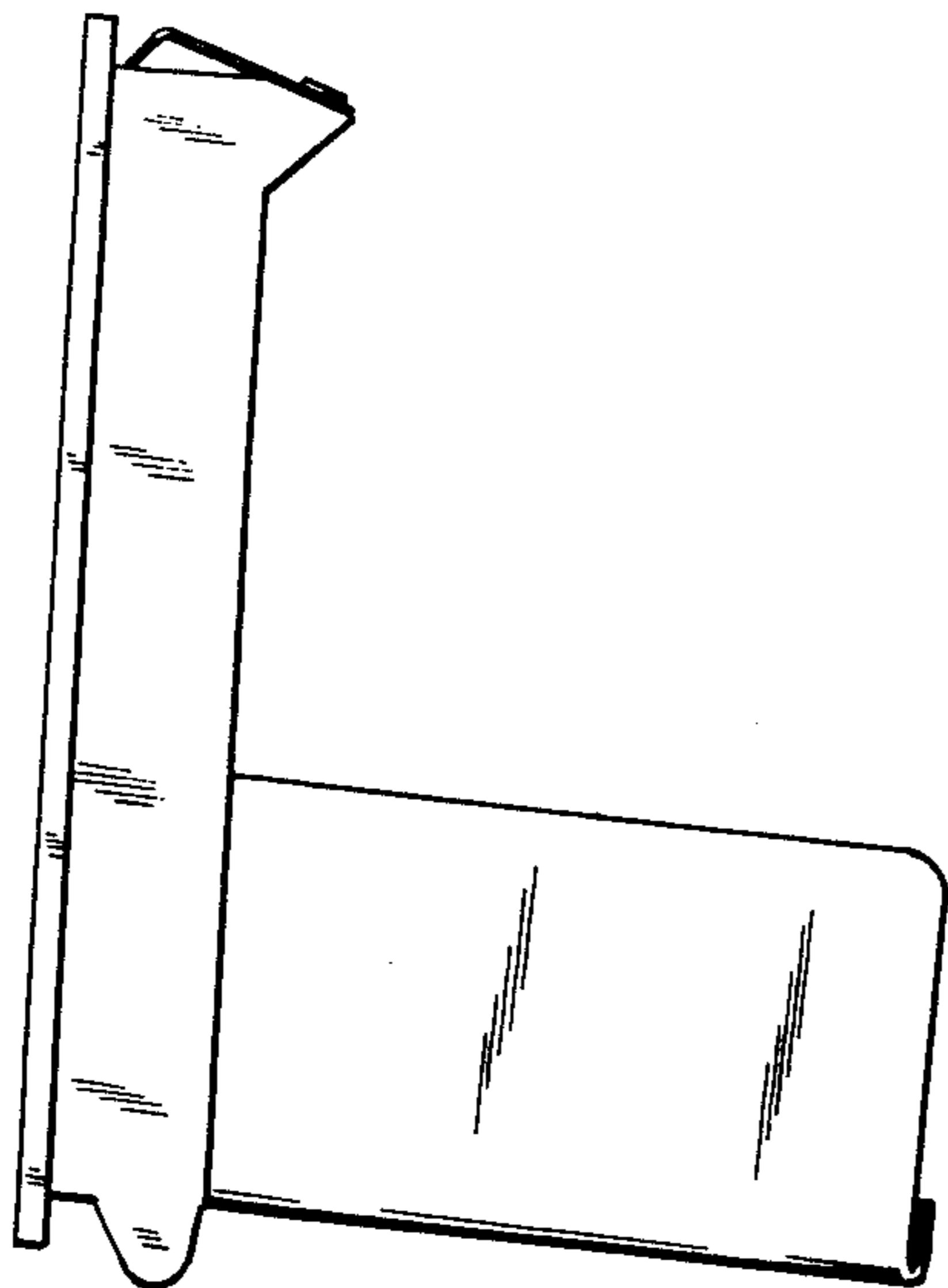


FIG. 5

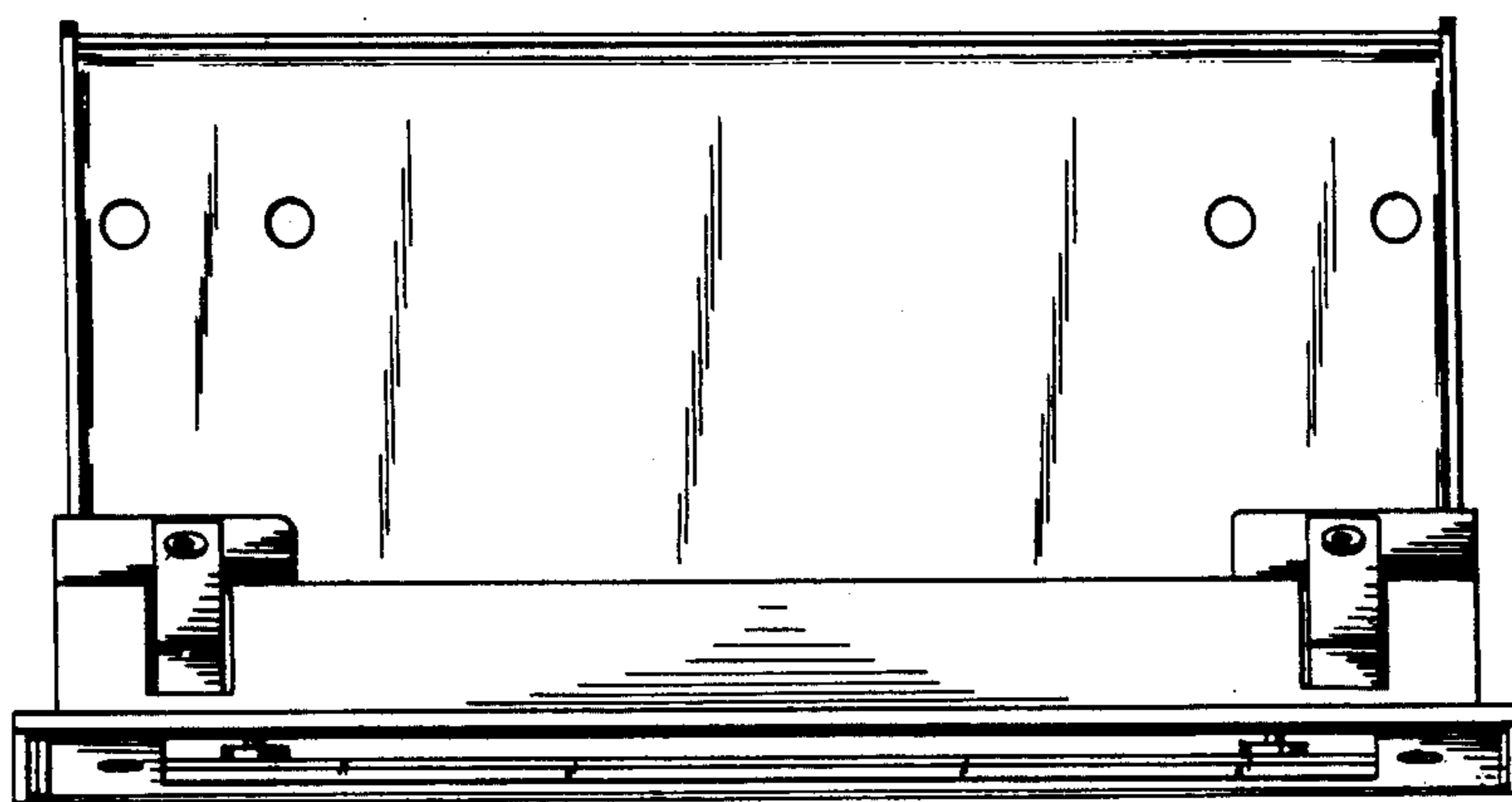
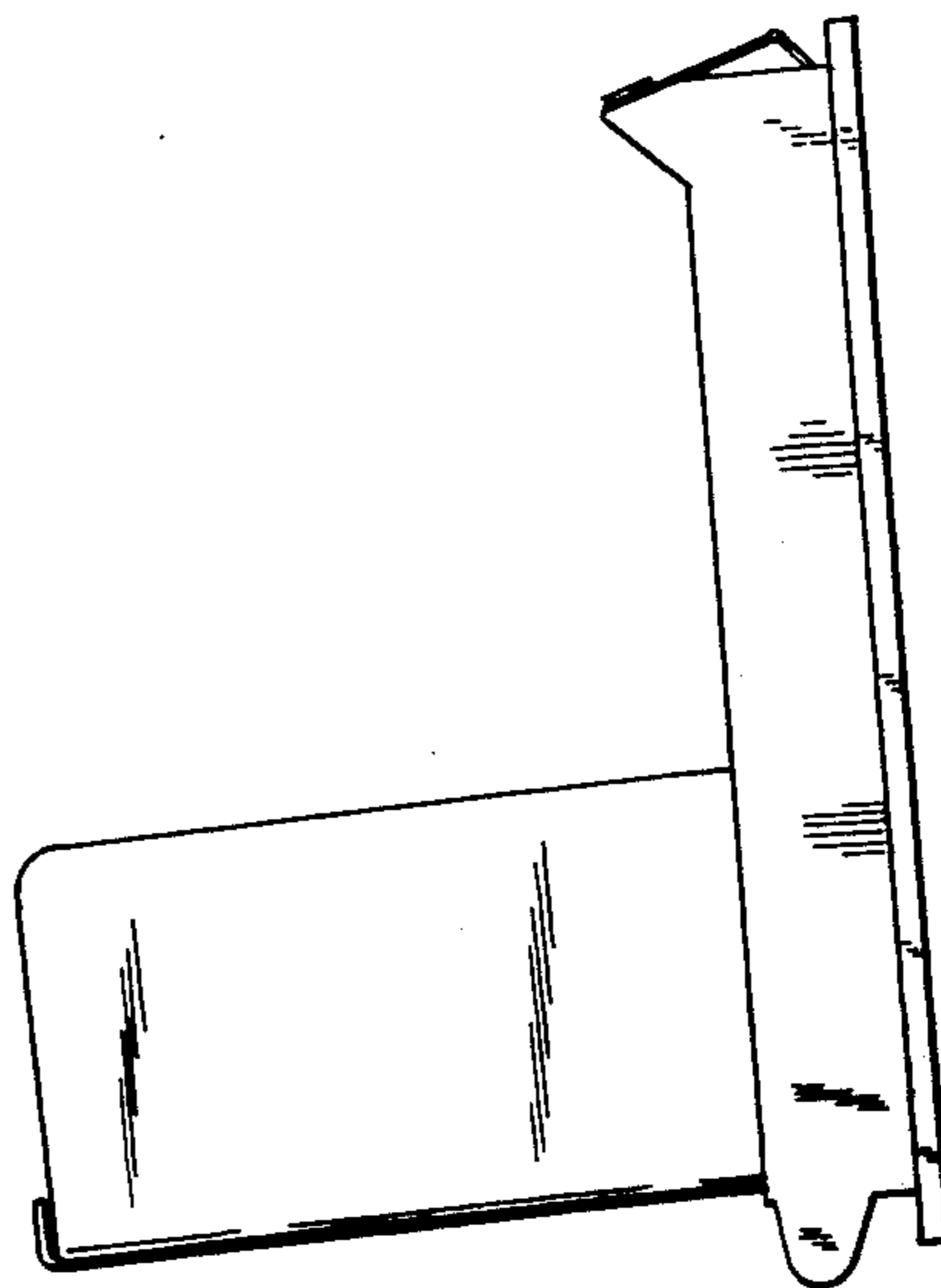


FIG. 6

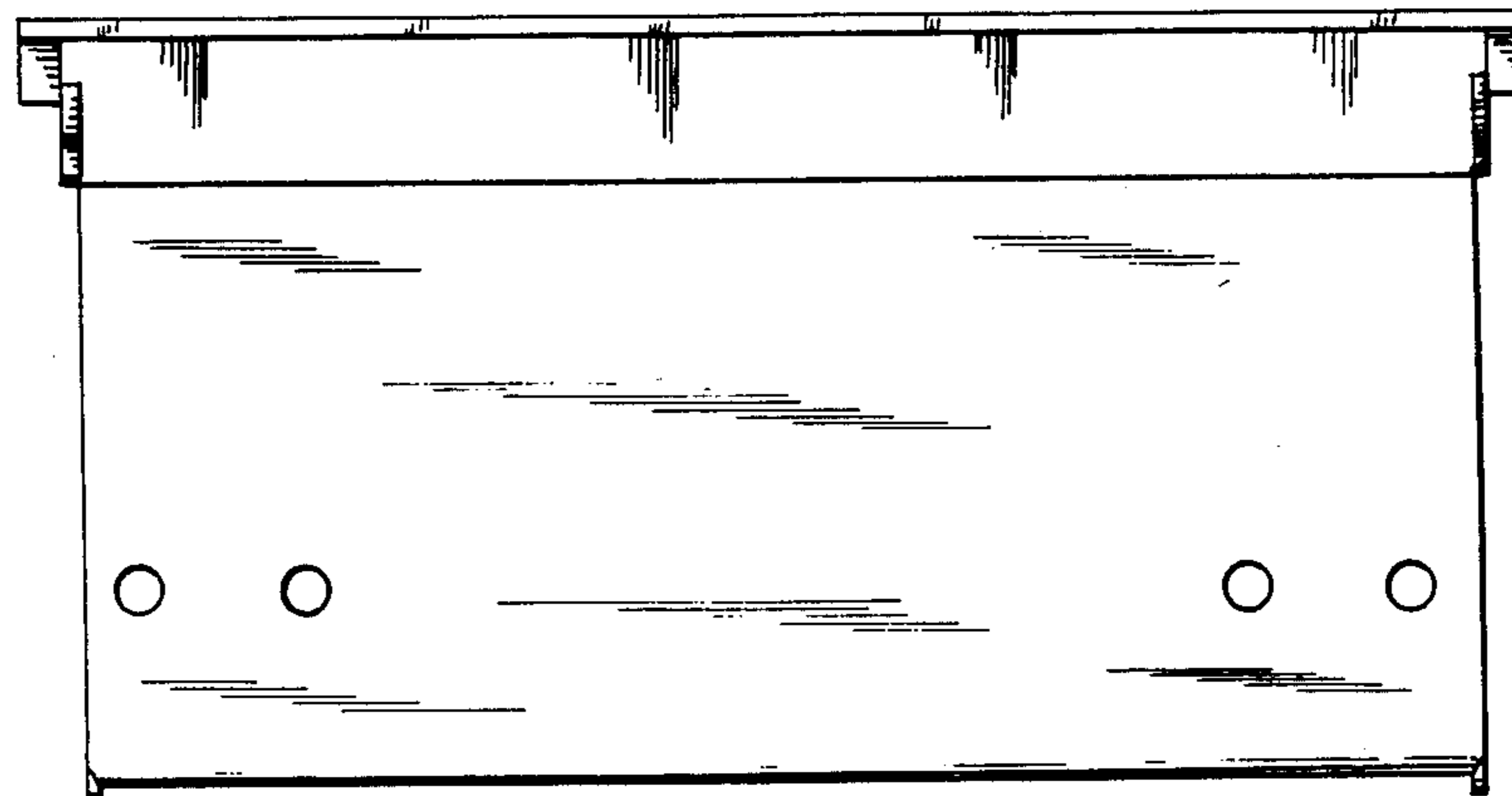


FIG. 7