

[54] DISC RECORD RACK OR SIMILAR ARTICLE

[75] Inventor: Michael B. Woodhall, Maidenhead, England

[73] Assignee: Cambra International Limited, London, England

[\*\*] Term: 14 Years

[21] Appl. No.: 734,621

[22] Filed: Oct. 21, 1976

[30] Foreign Application Priority Data

Apr. 30, 1976 [GB] United Kingdom ..... 975485

[51] Int. Cl. .... D6-99

[52] U.S. Cl. .... D6/185

[58] Field of Search ..... D6/184, 185, 85; 211/60 A, 60 R, 71, 72

[56] References Cited

U.S. PATENT DOCUMENTS

- D. 242,319 11/1976 Akeret ..... D6/185
- D. 245,056 7/1977 Winther ..... D6/185
- D. 245,727 9/1977 Cournoyer et al. .... D6/184 X

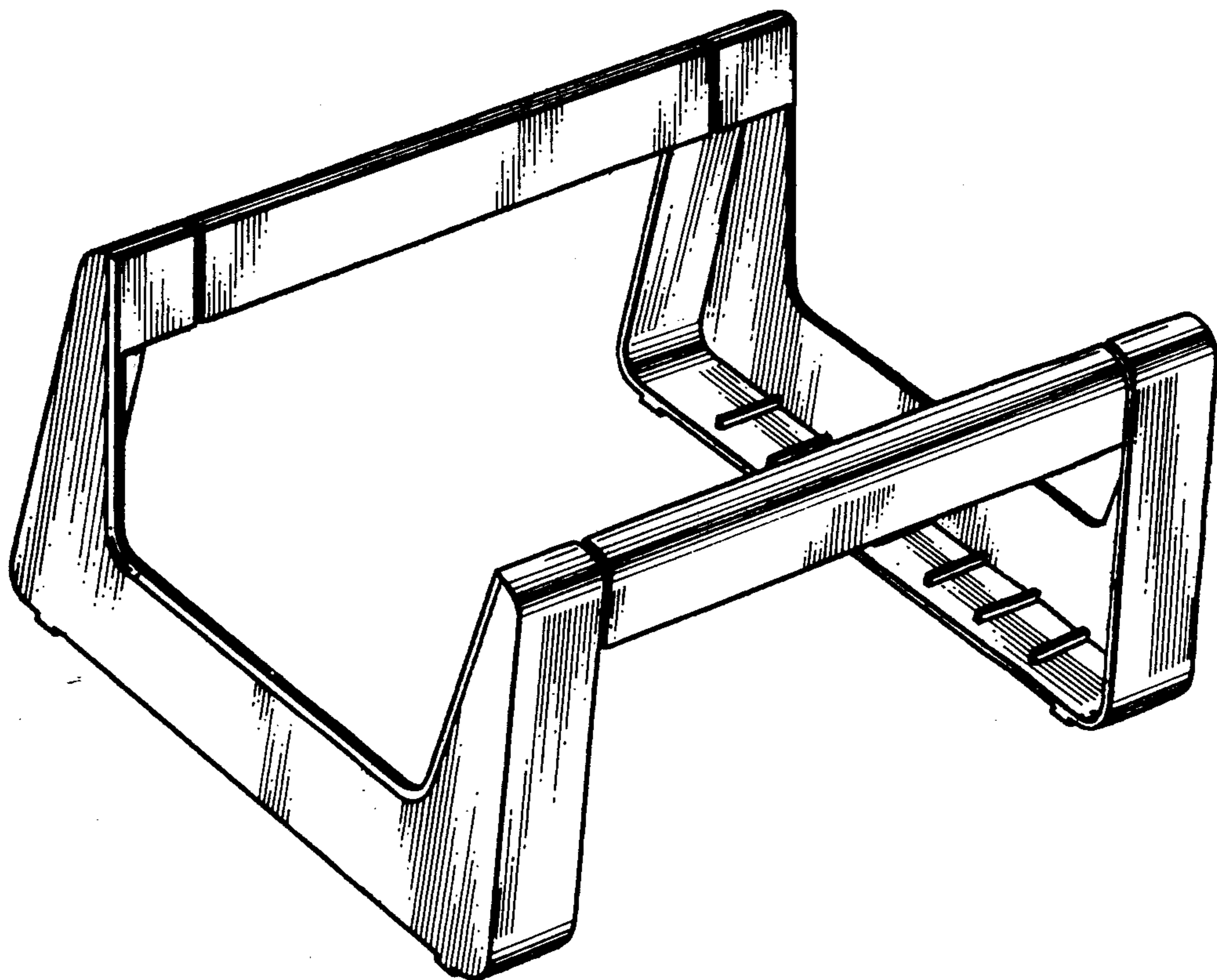
Primary Examiner—Bruce W. Dunkins  
Attorney, Agent, or Firm—Alvin Browdy

[57] CLAIM

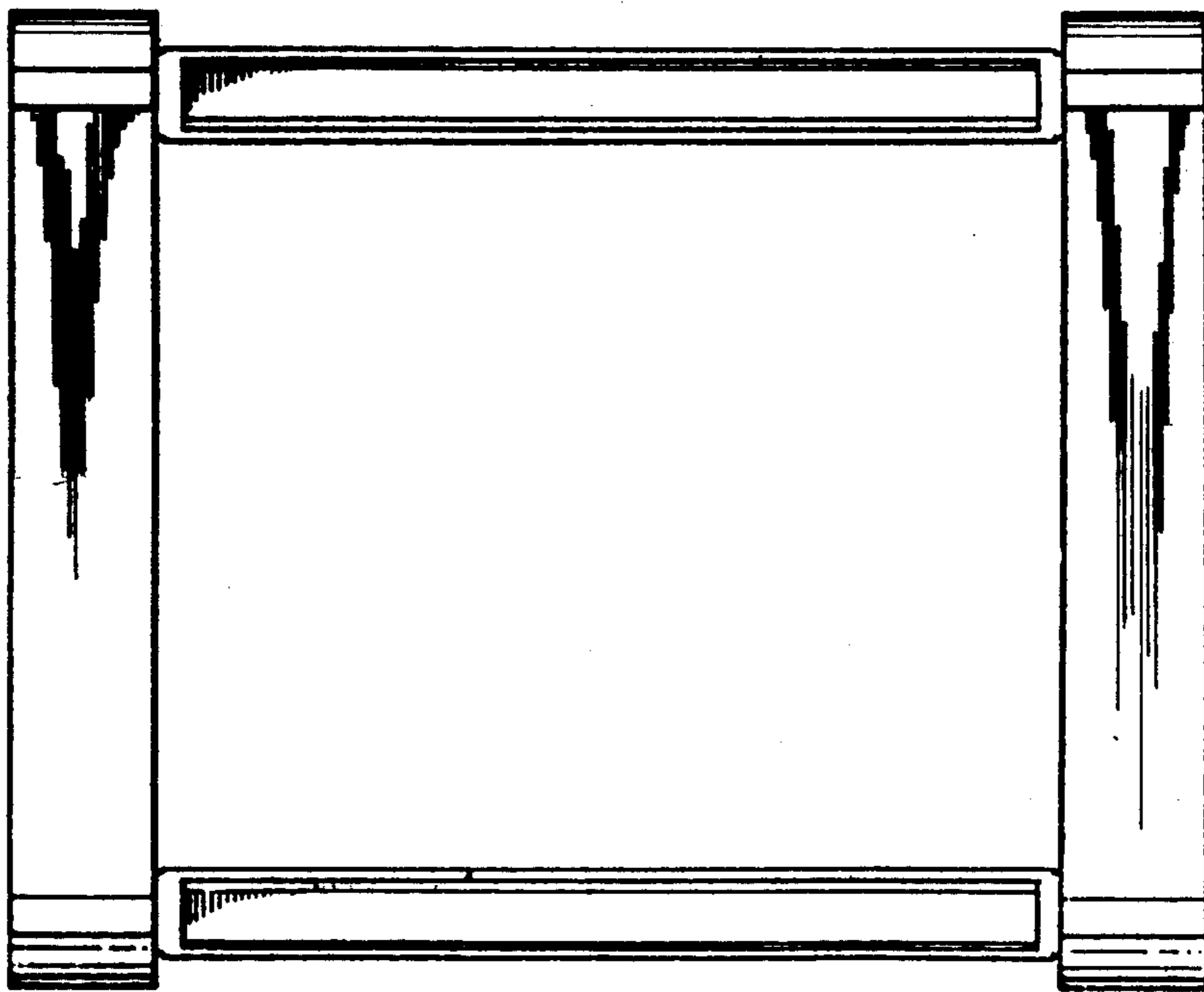
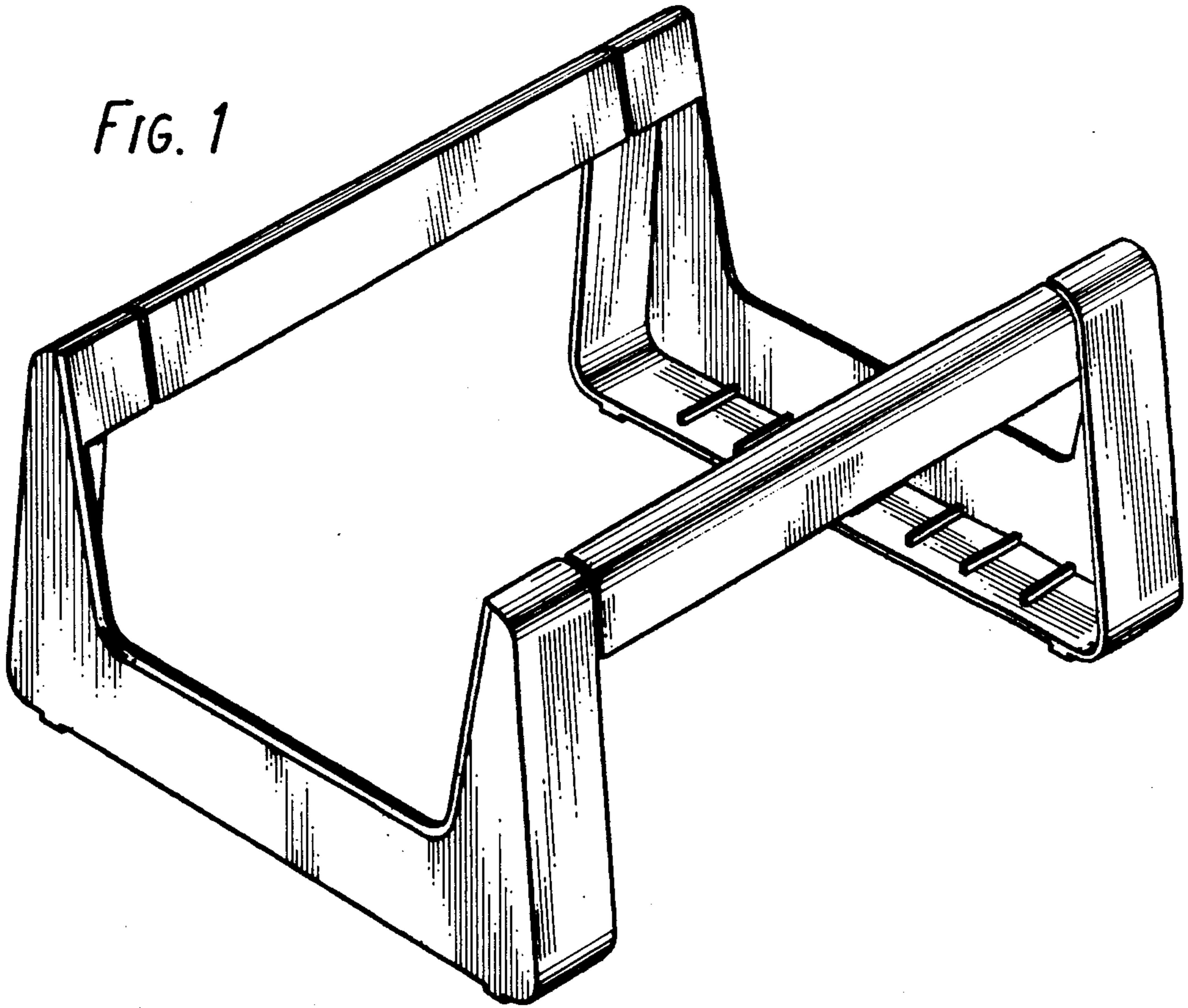
The ornamental design for a disc record rack or similar article, as shown.

DESCRIPTION

FIG. 1 is a right side perspective view of a disc record rack or similar article showing my design; FIG. 2 is a plan view from below thereof; FIG. 3 is a side elevation thereof; FIG. 4 is an end elevation thereof; and FIG. 5 is a section on the line 5-5 of FIG. 3.



*FIG. 1*



*FIG. 2*

FIG. 3

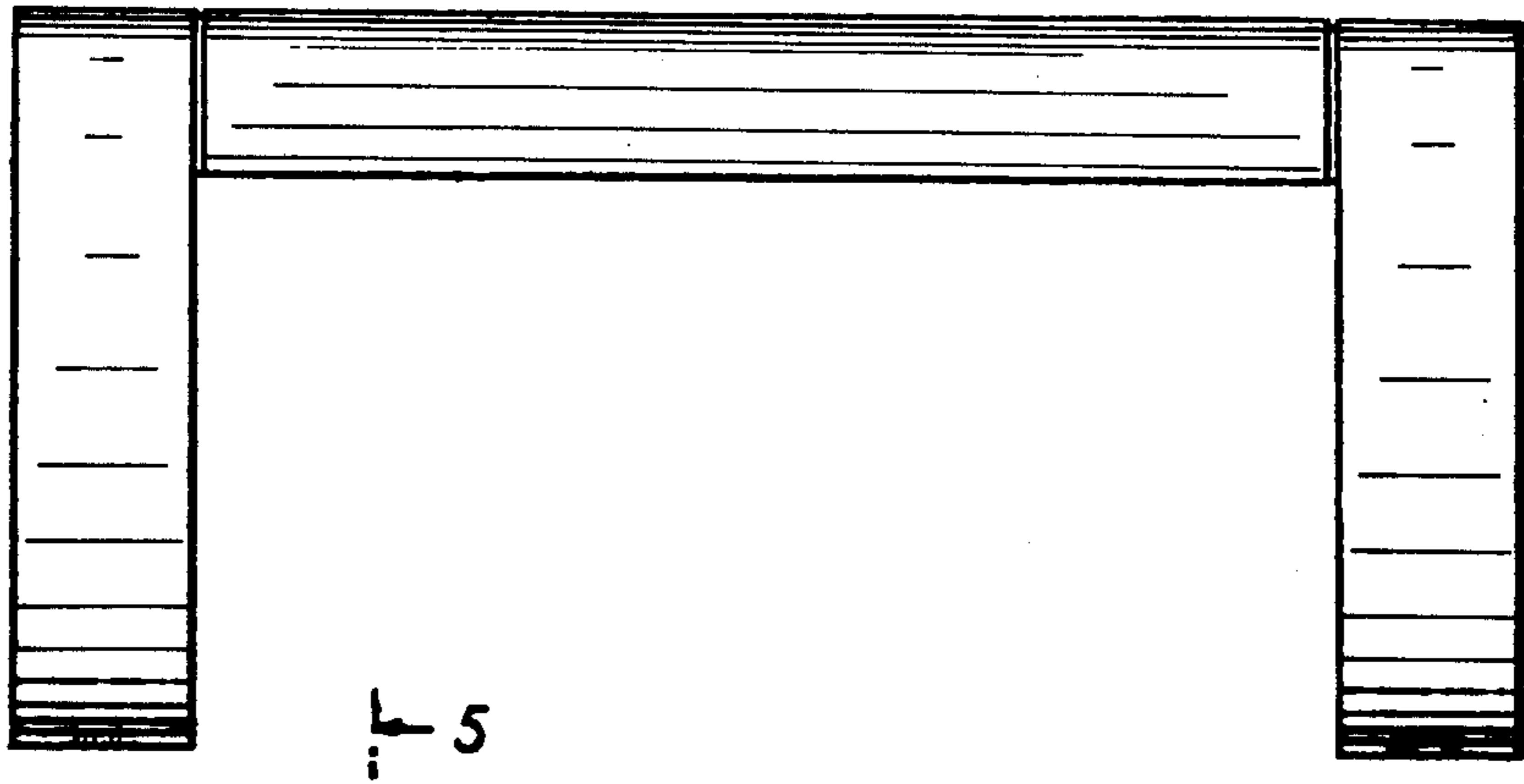


FIG. 4

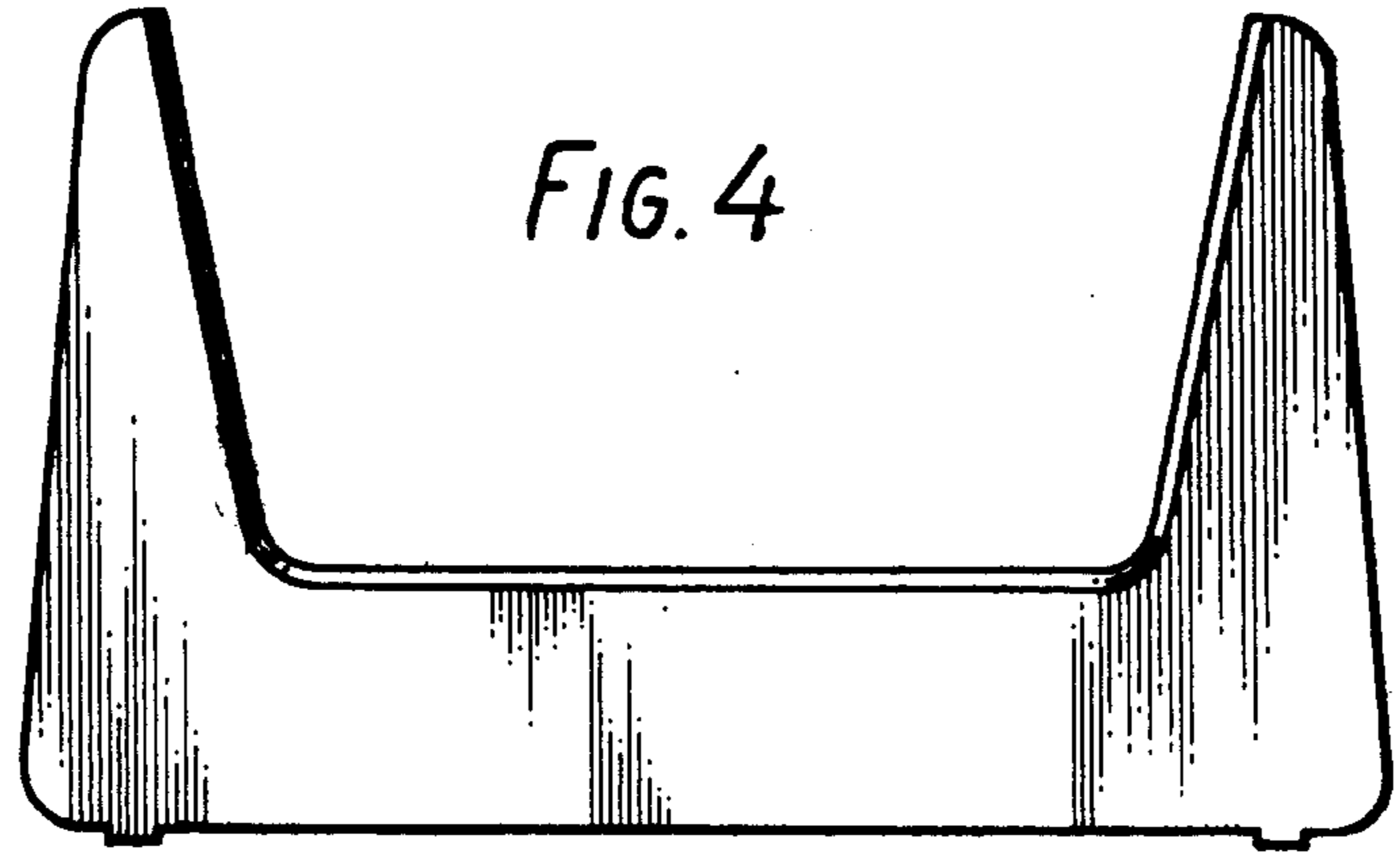


FIG. 5

