

[54] STEERABLE SURFBOARD

[76] Inventor: Vernon L. Stern, 2326 S. FF Hwy.,
Springfield, Mo. 65804

[**] Term: 14 Years

[21] Appl. No.: 806,259

[22] Filed: Jun. 13, 1977

[51] Int. Cl. D21-02
[52] U.S. Cl. D21/228
[58] Field of Search D34/42; 9/310 E, 310 B,
9/310 R

[56] References Cited

U.S. PATENT DOCUMENTS

D. 193,414 8/1962 Churchman D34/42
3,371,361 3/1968 Andersen 9/310 R X

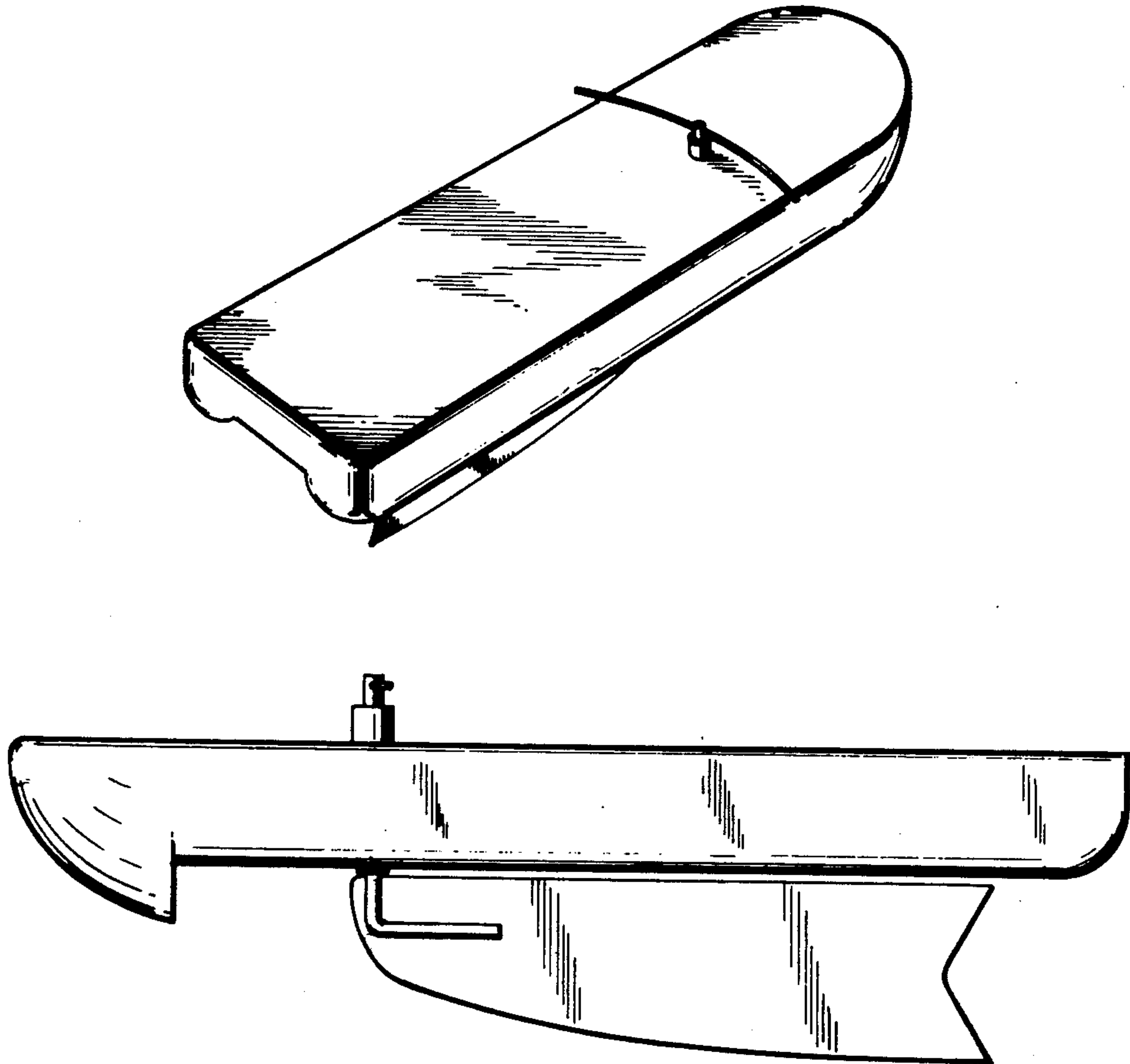
Primary Examiner—Alan P. Douglas
Attorney, Agent, or Firm—A. Yates Dowell, Jr.

[57] CLAIM

The ornamental design for a steerable surfboard, as shown.

DESCRIPTION

FIG. 1 is a perspective view of a steerable surfboard showing my new design.
FIG. 2 is a front elevational view thereof.
FIG. 3 is a rear elevational view thereof.
FIG. 4 is a bottom plan view.
FIG. 5 is a side elevational view.



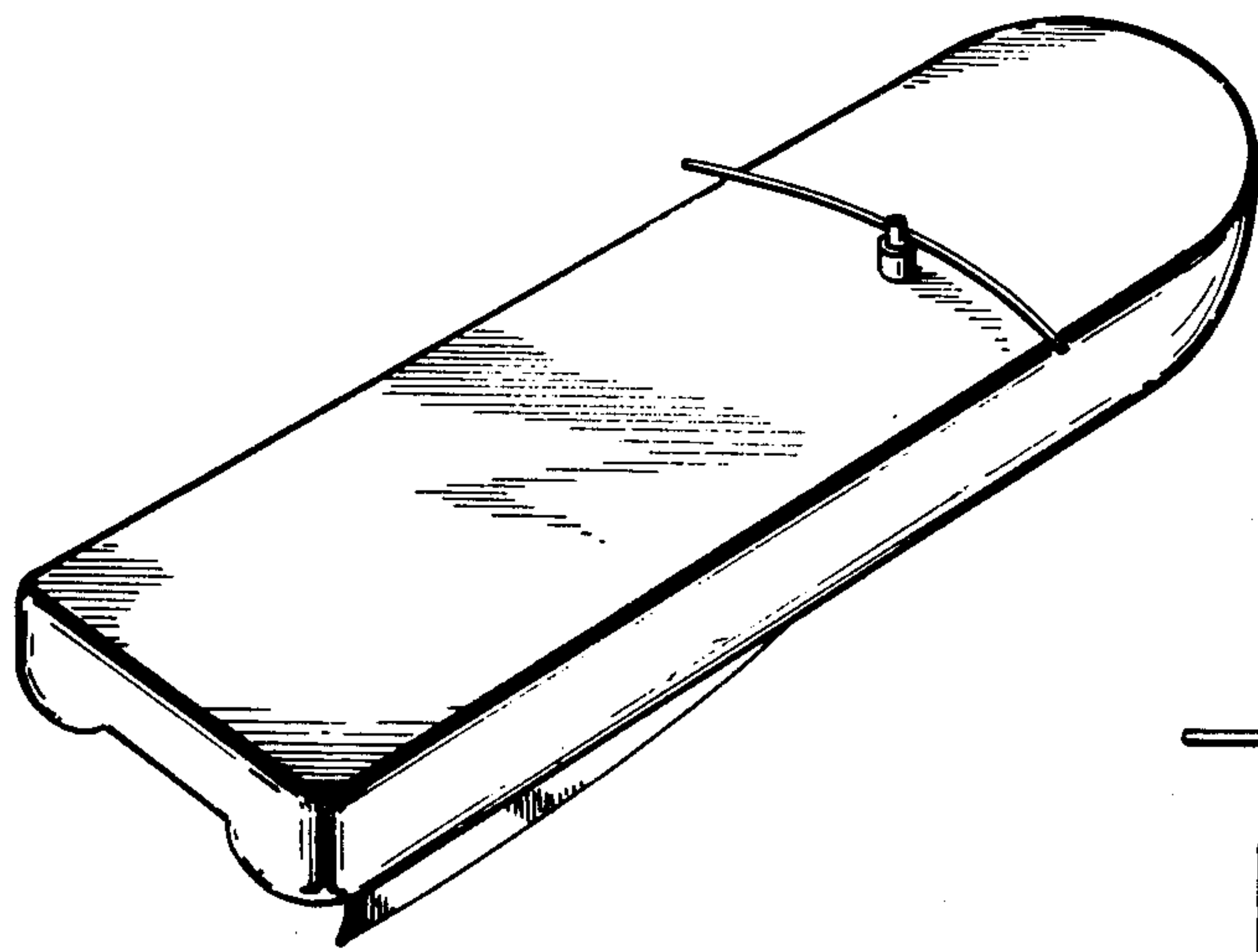


FIG. 1

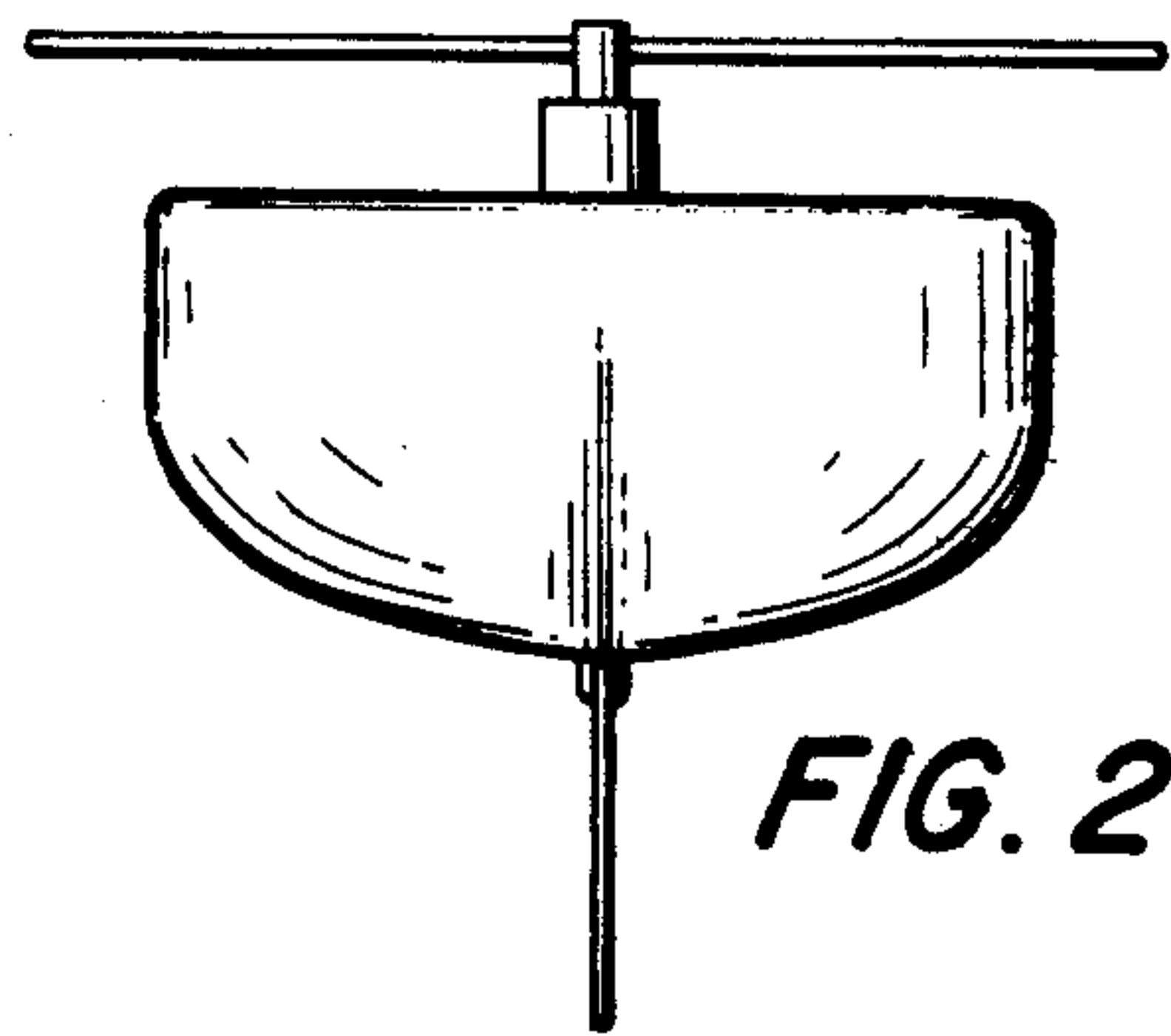


FIG. 2

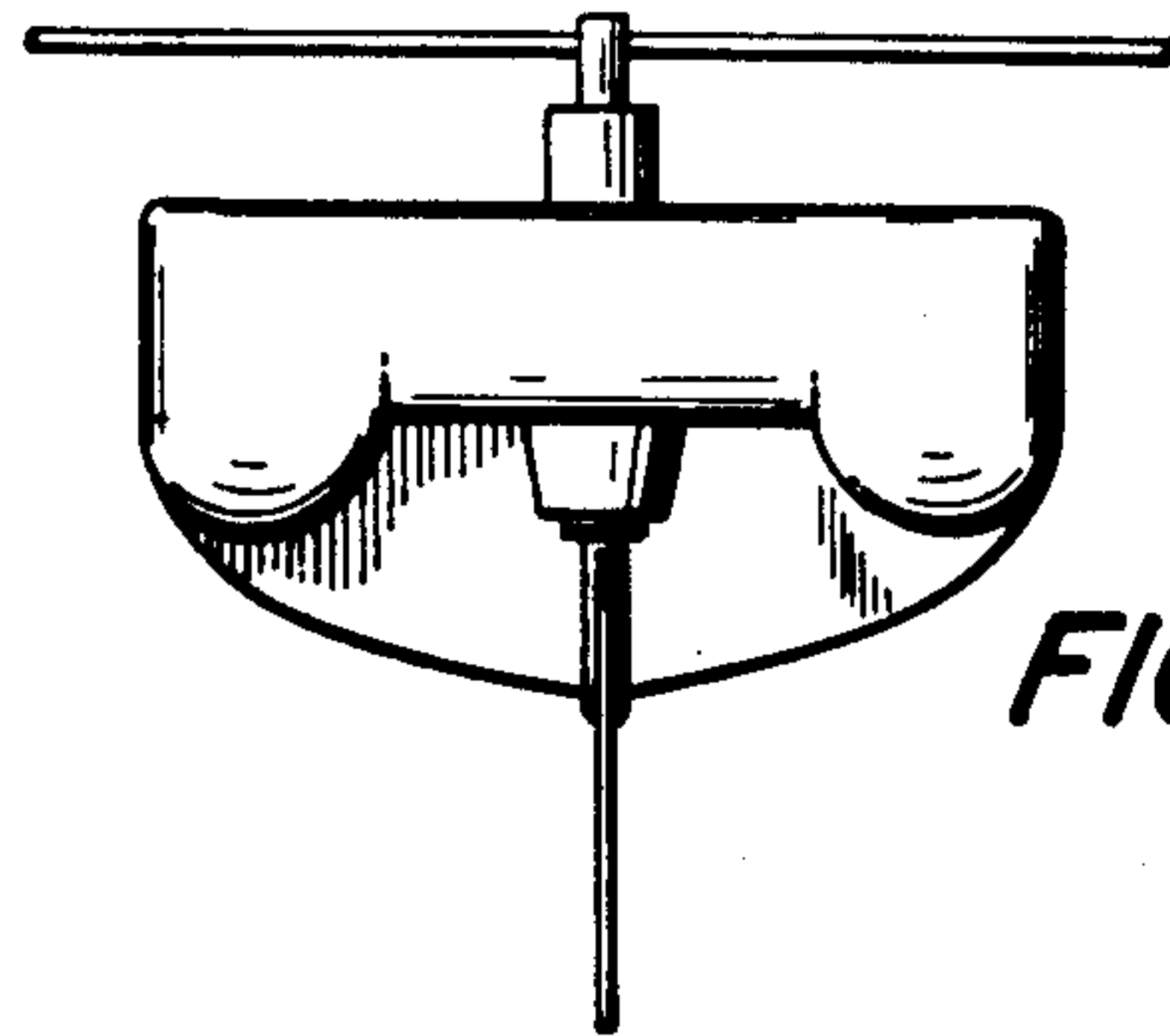


FIG. 3

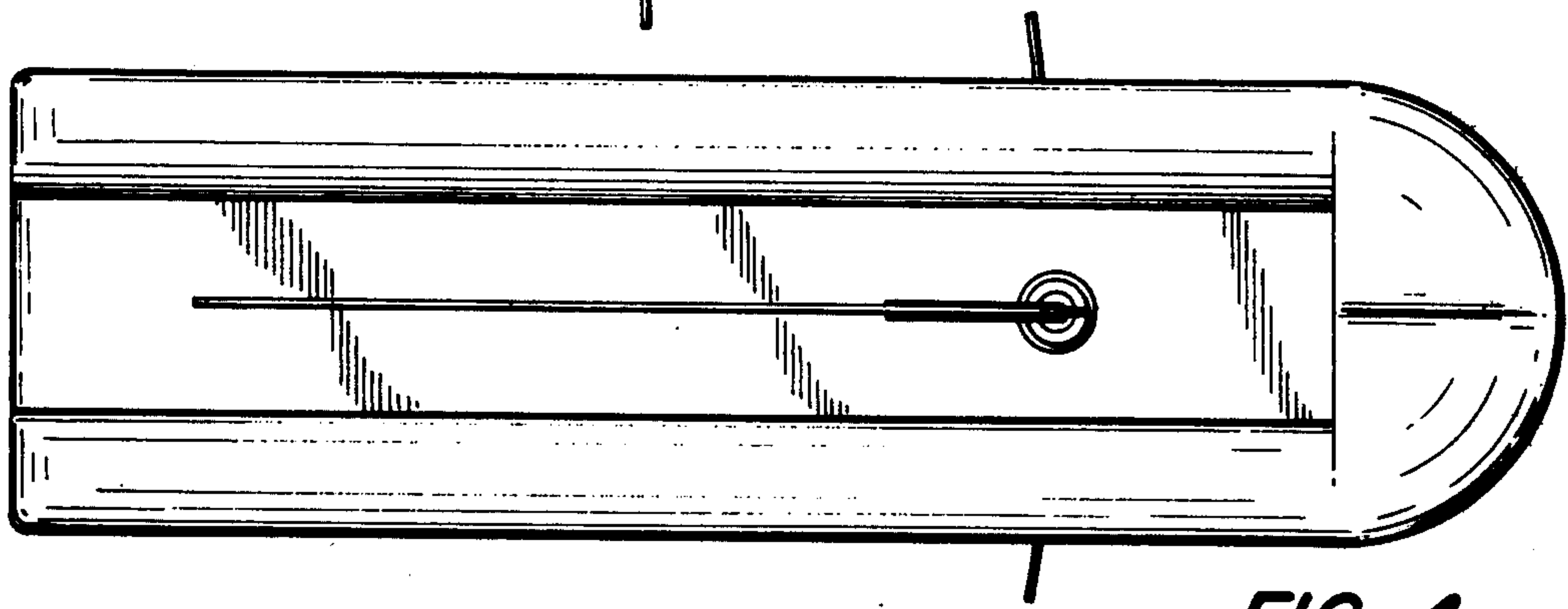


FIG. 4

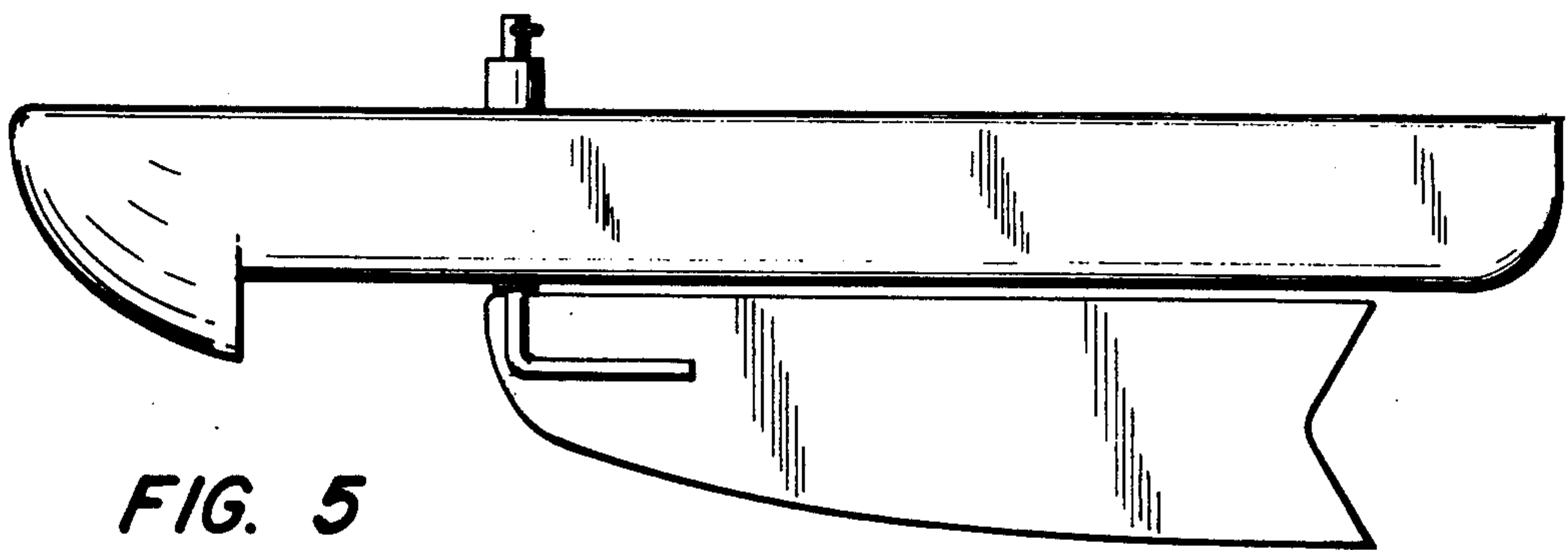


FIG. 5