

[54] GOLF MAT

[76] Inventor: Earl Richards, 310 N. Lake Ave.,
Leesburg, Fla. 32748

[**] Term: 14 Years

[21] Appl. No.: 758,029

[22] Filed: Jan. 10, 1977

[51] Int. Cl. D21-02

[52] U.S. Cl. D21/234

[58] Field of Search D34/5 CB; 273/183 A,
273/187 R, 187 A, 187 B

[56]

References Cited

U.S. PATENT DOCUMENTS

2,777,697	1/1957	Crossot	273/187 R
3,868,109	2/1975	Fowler	273/187 A
4,000,905	1/1977	Shirhall	273/187 A

Primary Examiner—Melvin B. Feifer
Attorney, Agent, or Firm—Claude A. Patalidis

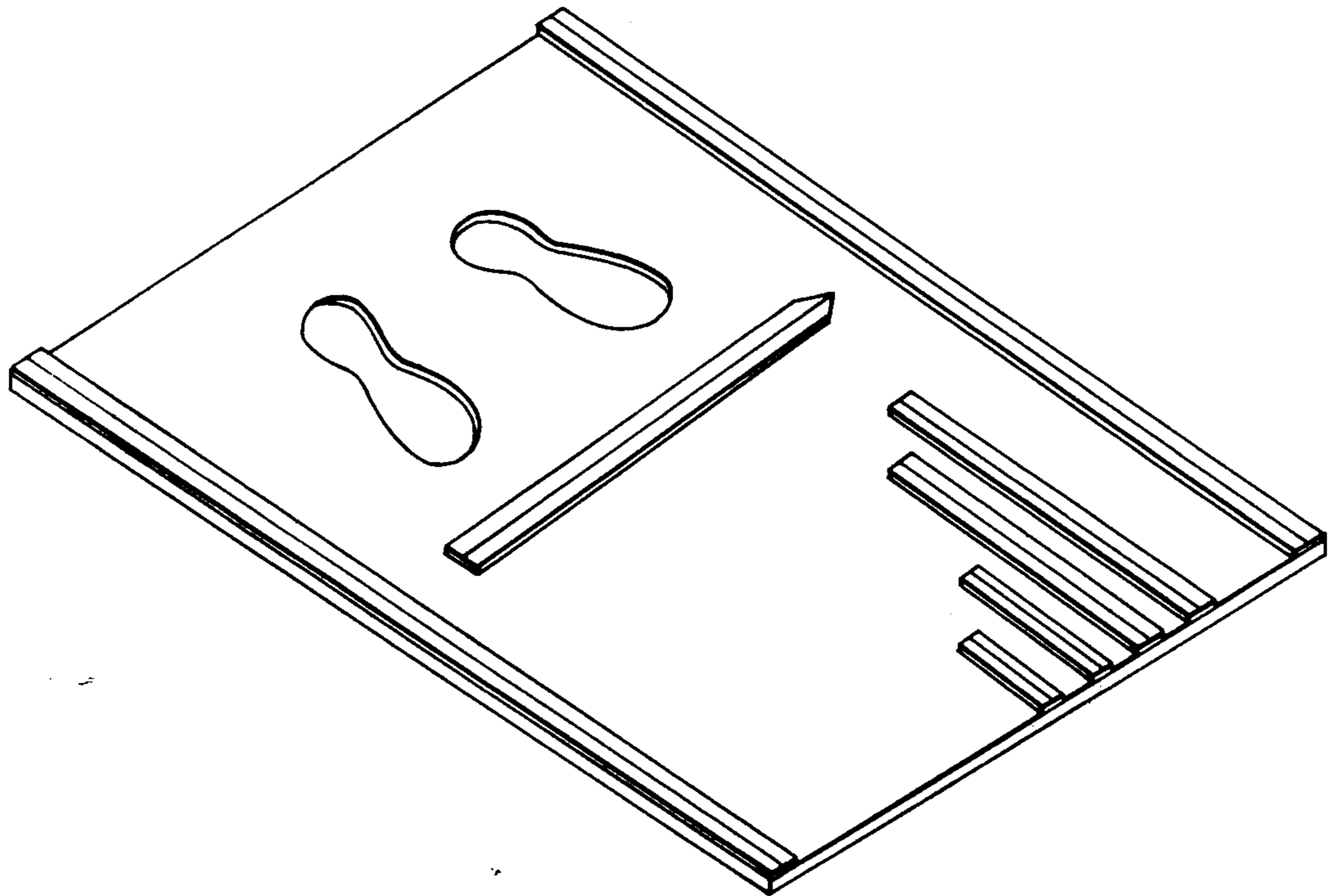
[57]

CLAIM

The ornamental design for a golf mat, as shown and described.

DESCRIPTION

FIG. 1 is a perspective view of a golf mat showing my novel ornamental design;
FIG. 2 is a top plan view thereof;
FIG. 3 is a side view thereof;
FIG. 4 is a bottom plan view thereof; and
FIG. 5 is an end view thereof.



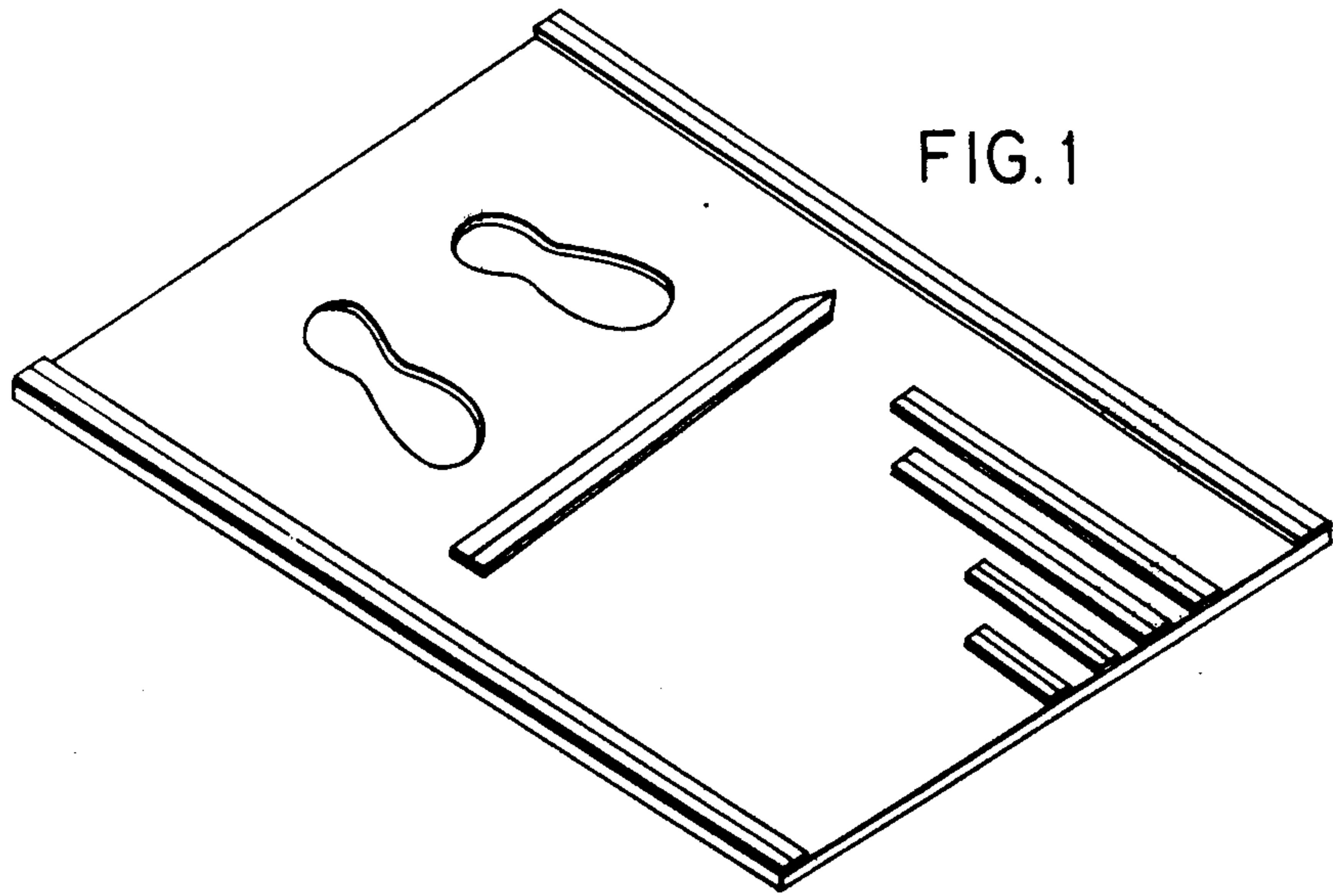


FIG. 2

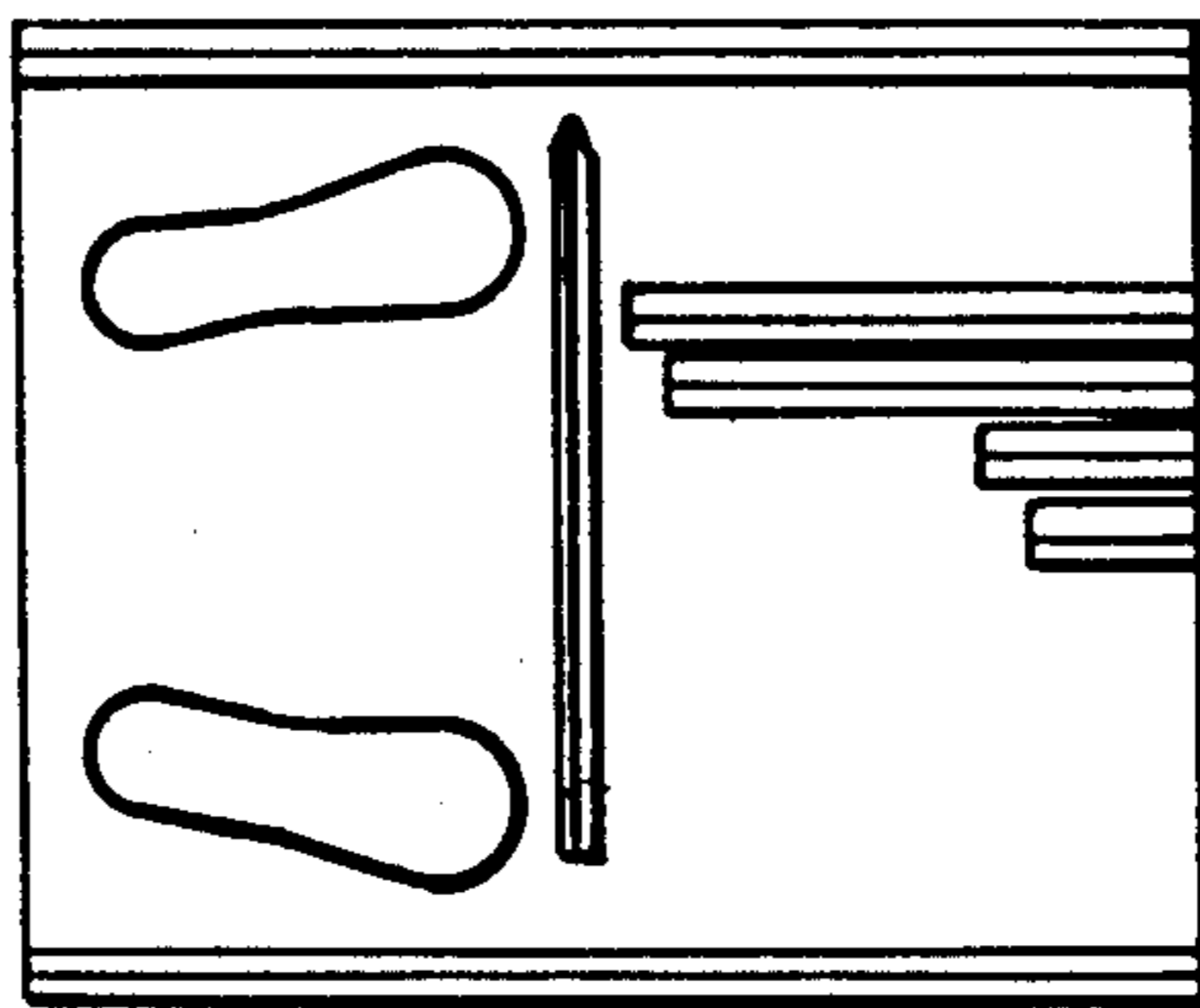


FIG. 3



FIG. 4

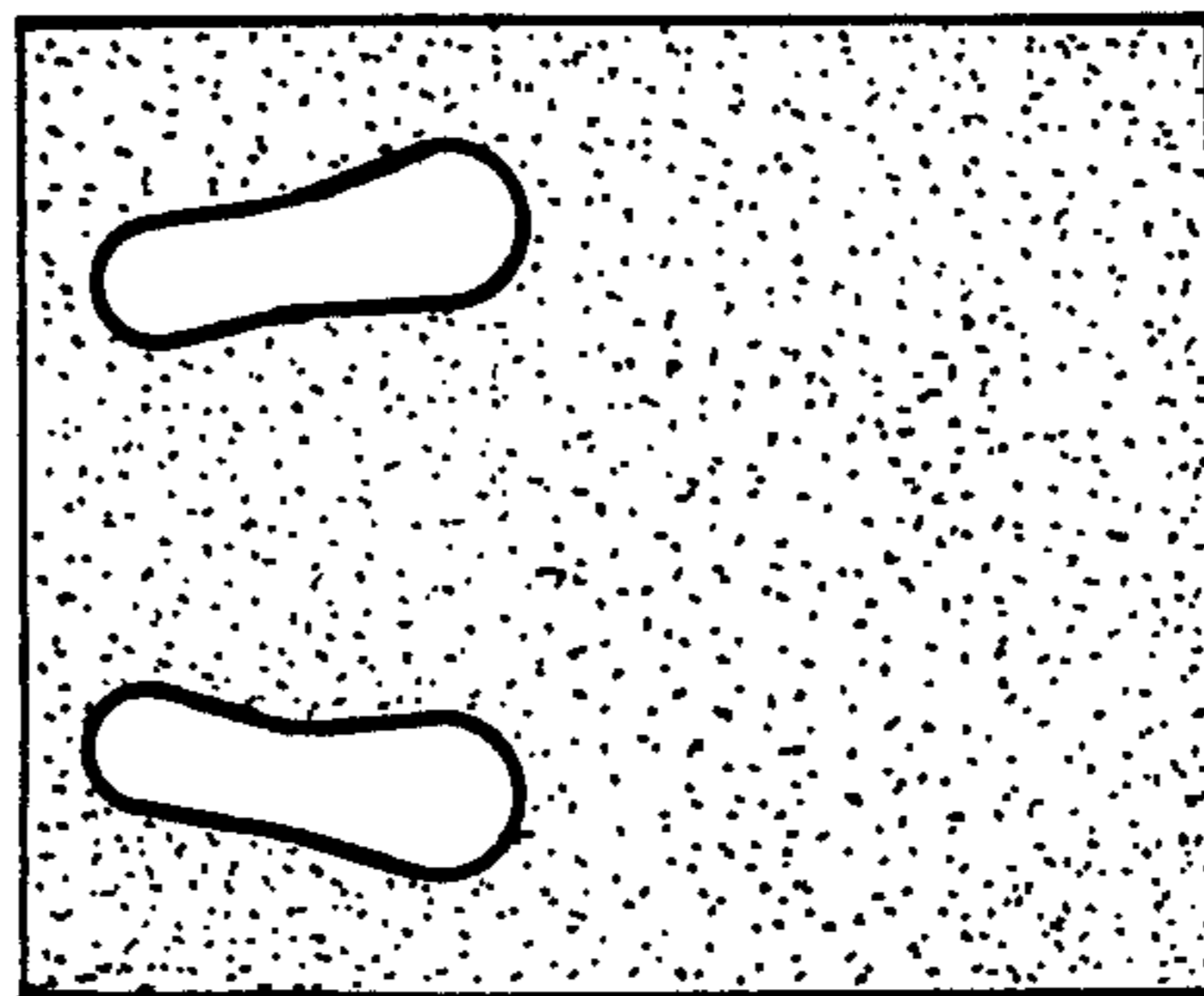


FIG. 5

