

[54] WINDOW TRIM

[75] Inventor: Roger D. O'Shaughnessy, Golden Valley, Minn.

[73] Assignee: Cardinal Insulated Glass Co., Minneapolis, Minn.

[**] Term: 14 Years

[21] Appl. No.: 896,914

[22] Filed: Apr. 17, 1978

[51] Int. Cl. D25-01

[52] U.S. Cl. D25/74; D25/79

[58] Field of Search 160/90; 52/288, 300, 52/301, 720, 732, 731, 737; D25/52, 73, 79; 49/501

[56] References Cited

U.S. PATENT DOCUMENTS

2,114,722 4/1938 Owen D25/74 X

OTHER PUBLICATIONS

Architectural Record, Jul. 1957, p. 38, sash illustration.

Primary Examiner—A. Hugo Word

Attorney, Agent, or Firm—James R. Haller

[57] CLAIM

The ornamental design for a window trim, as shown and described.

DESCRIPTION

FIG. 1 is a broken away perspective view, in cross-section, showing a window trim of the invention in association with a multipane insulating window unit (in broken lines) with which the window trim is used;

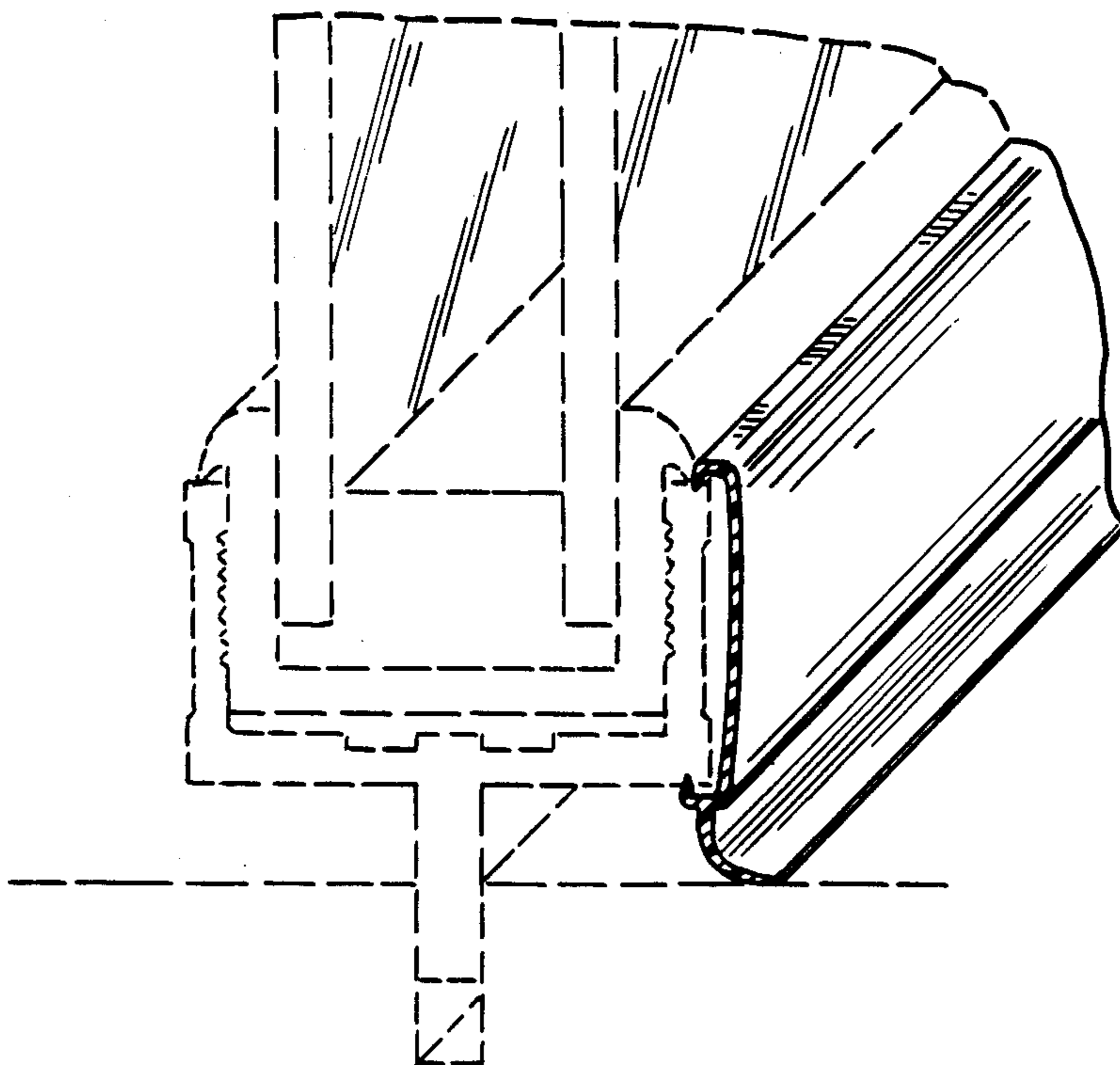
FIG. 2 is a front view of the window trim of the invention;

FIG. 3 is a cross-sectional view taken along line 3—3 of FIG. 2;

FIG. 4 is a top view of the window trim shown in FIG. 2; and

FIG. 5 is a bottom view of the window trim shown in FIG. 2.

The broken lines in FIG. 1 are shown for illustrative purposes only and form no part of the claimed design.



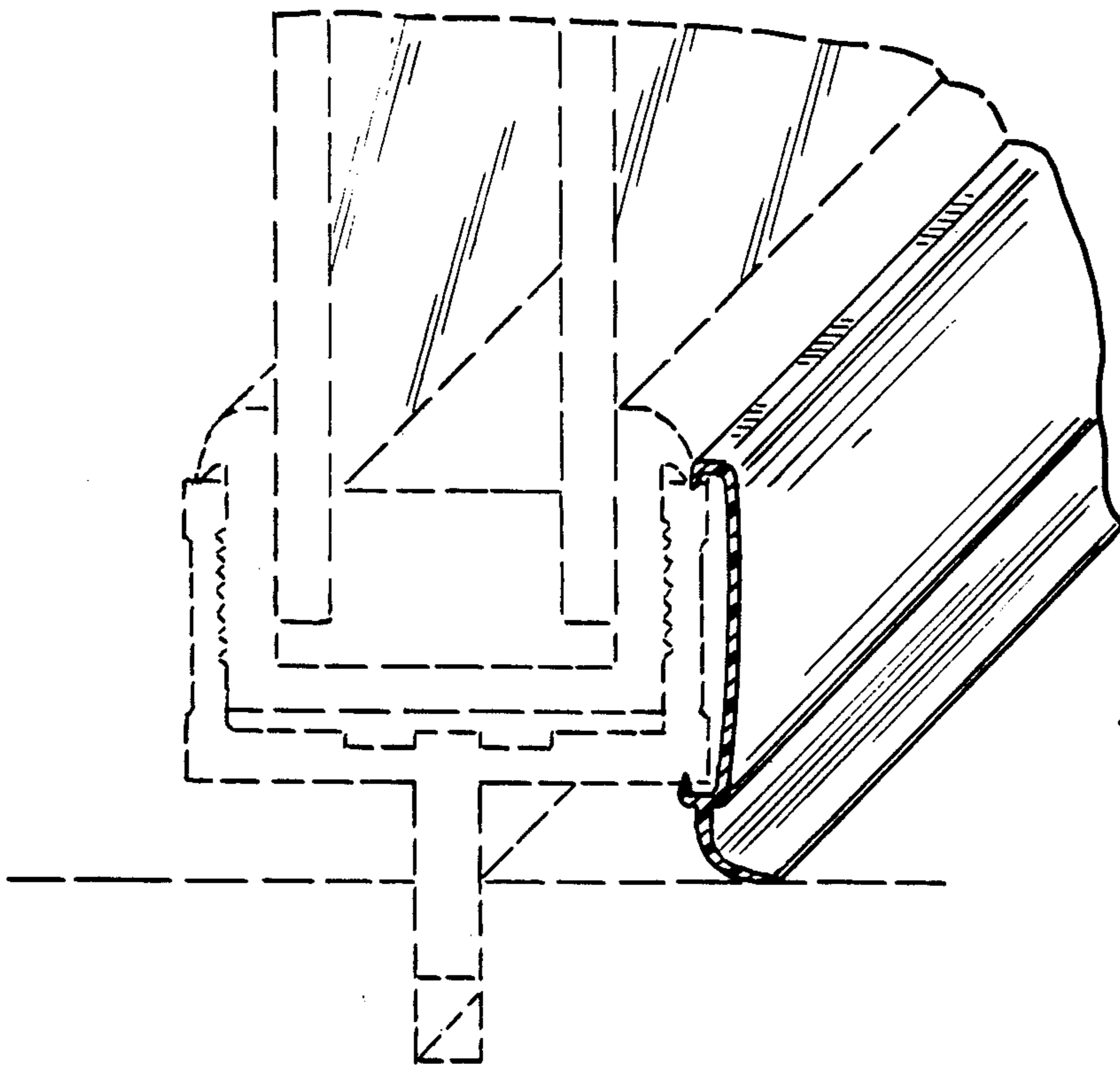


FIG. 1

FIG. 4

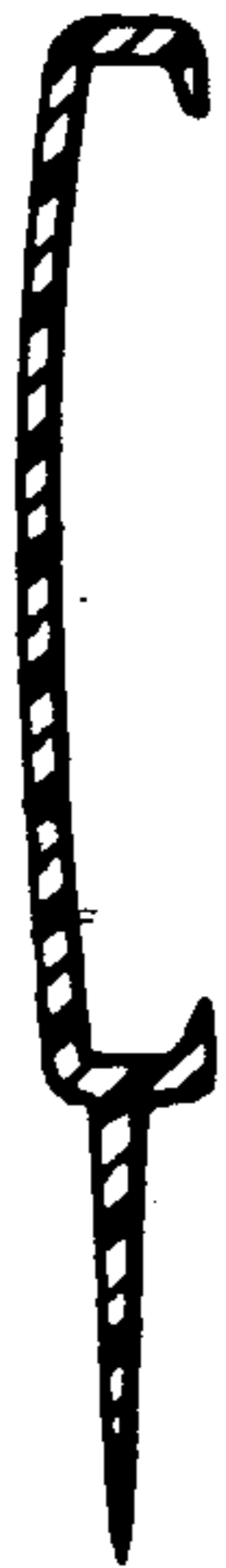


FIG. 3

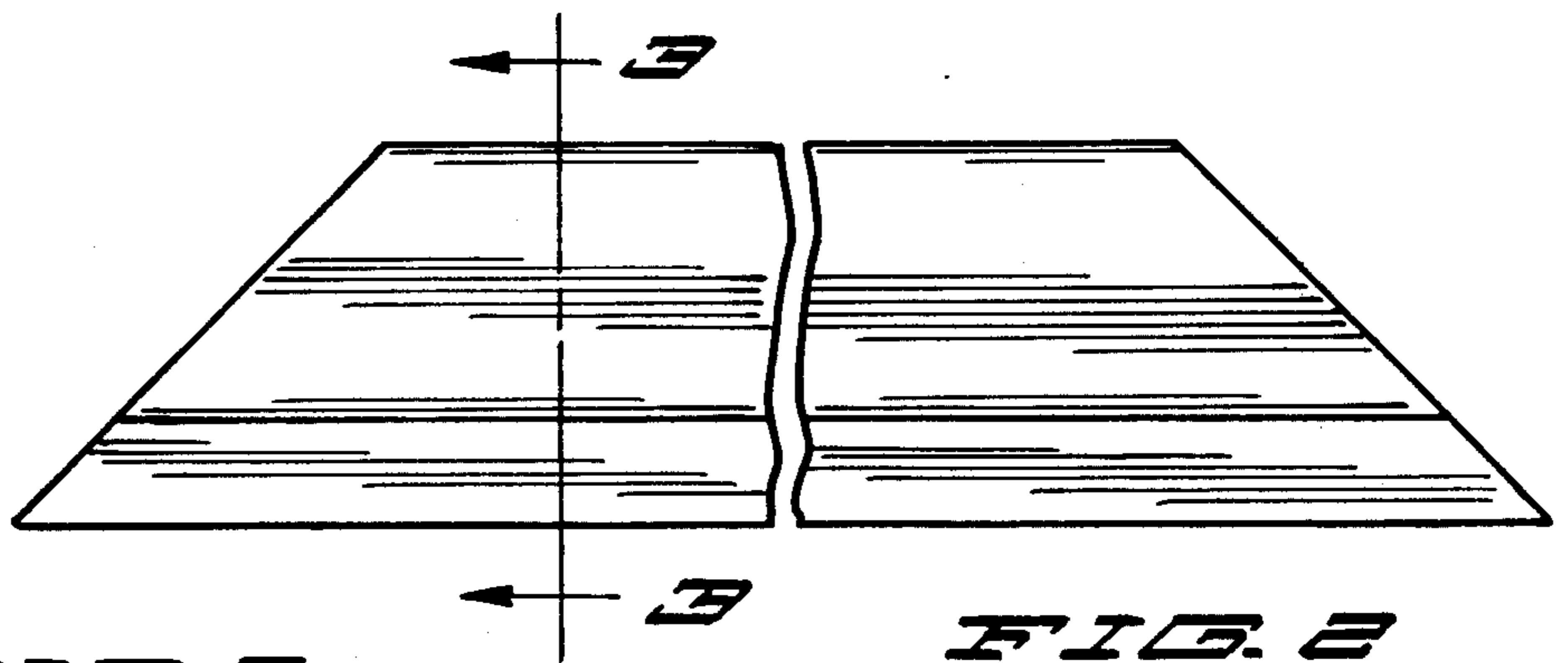


FIG. 2



FIG. 5