

[54] HYDROTHERAPY POOL OR SIMILAR ARTICLE

[75] Inventors: Virgil J. Jacuzzi, Islington; John D. Burgess, Loretto, both of Canada

[73] Assignee: Jacuzzi Bros., Inc., Canada

[**] Term: 14 Years

[21] Appl. No.: 708,111

[22] Filed: Jul. 22, 1976

[51] Int. Cl. D28-03

[52] U.S. Cl. D24/38; D25/2; D23/55

[58] Field of Search 4/178, 180, 173; 128/66; D24/38, 36; D23/55; D25/2

[56] References Cited

U.S. PATENT DOCUMENTS

D. 206,143	11/1966	Jacuzzi	D24/36 X
D. 221,495	8/1971	Cavenah	D24/38
D. 234,547	3/1975	Nicollet	D24/38
D. 237,709	11/1975	Jacuzzi	D24/38 X
D. 240,084	5/1976	Melchior	D24/38
3,736,924	6/1973	Jacuzzi et al.	128/66

OTHER PUBLICATIONS

Sweets Architectural Cat. File, 1973, section 13.4/Am, "Roman Spa", bottom left of page.

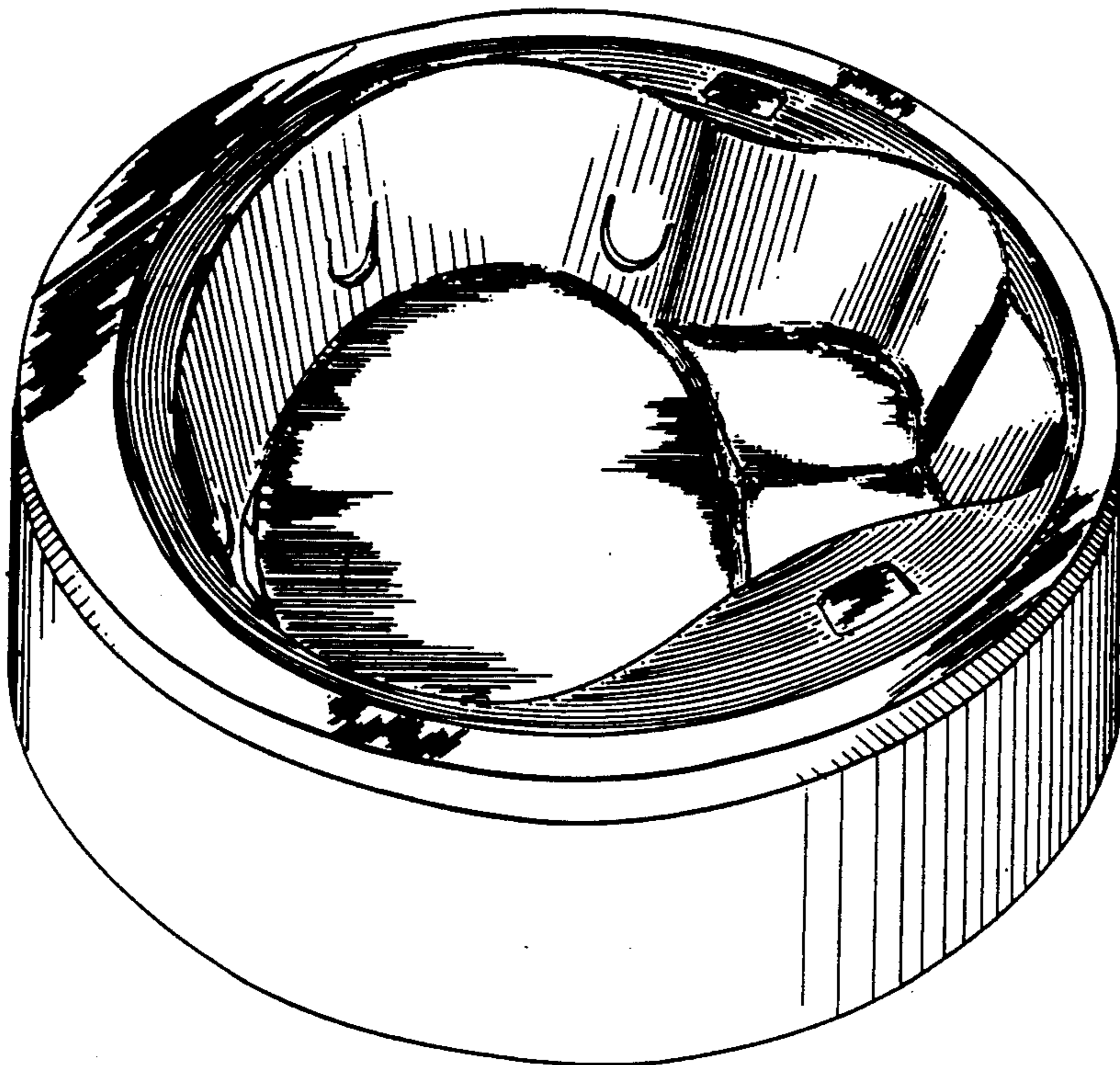
Primary Examiner—Bernard Ansher
Attorney, Agent, or Firm—Benjamin H. Sherman

[57] CLAIM

The ornamental design for a hydrotherapy pool or similar article, as shown and described.

DESCRIPTION

FIG. 1 is a top plan view of a hydrotherapy pool or similar article showing our new design;
 FIG. 2 is a front elevation thereof;
 FIG. 3 is a cross-section taken on line III—III of FIG. 1;
 FIG. 4 is a cross-section taken on line 4—4 of FIG. 1;
 FIG. 5 is a cross-section taken on line 5—5 of FIG. 1;
 FIG. 6 is a top plan view of a modified form of hydrotherapy pool illustrated in FIG. 1;
 FIG. 7 is a front elevation thereof;
 FIG. 8 is a cross-section taken on line VIII—VIII of FIG. 6;
 FIG. 9 is a cross-section taken on line IX—IX of FIG. 6;
 FIG. 10 is a cross-section taken on line X—X of FIG. 6; and
 FIG. 11 is a top perspective view of the embodiment illustrated in FIGS. 1 and 2.



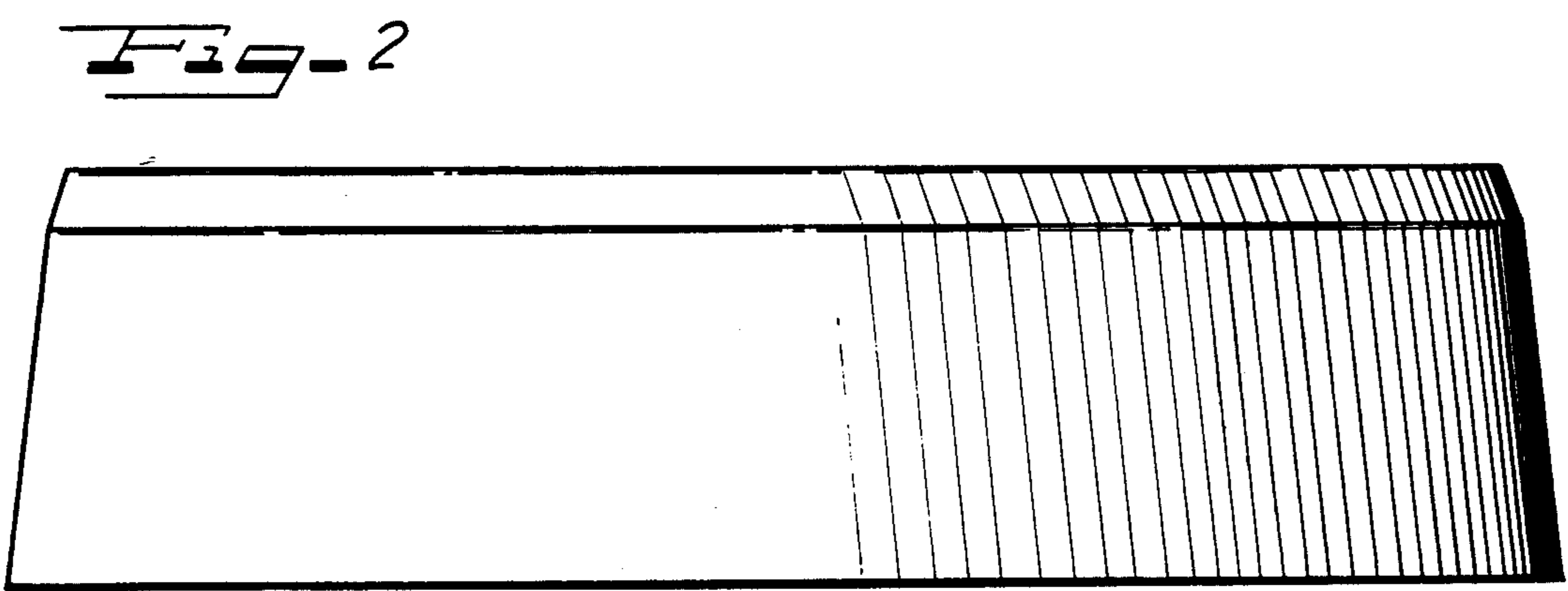
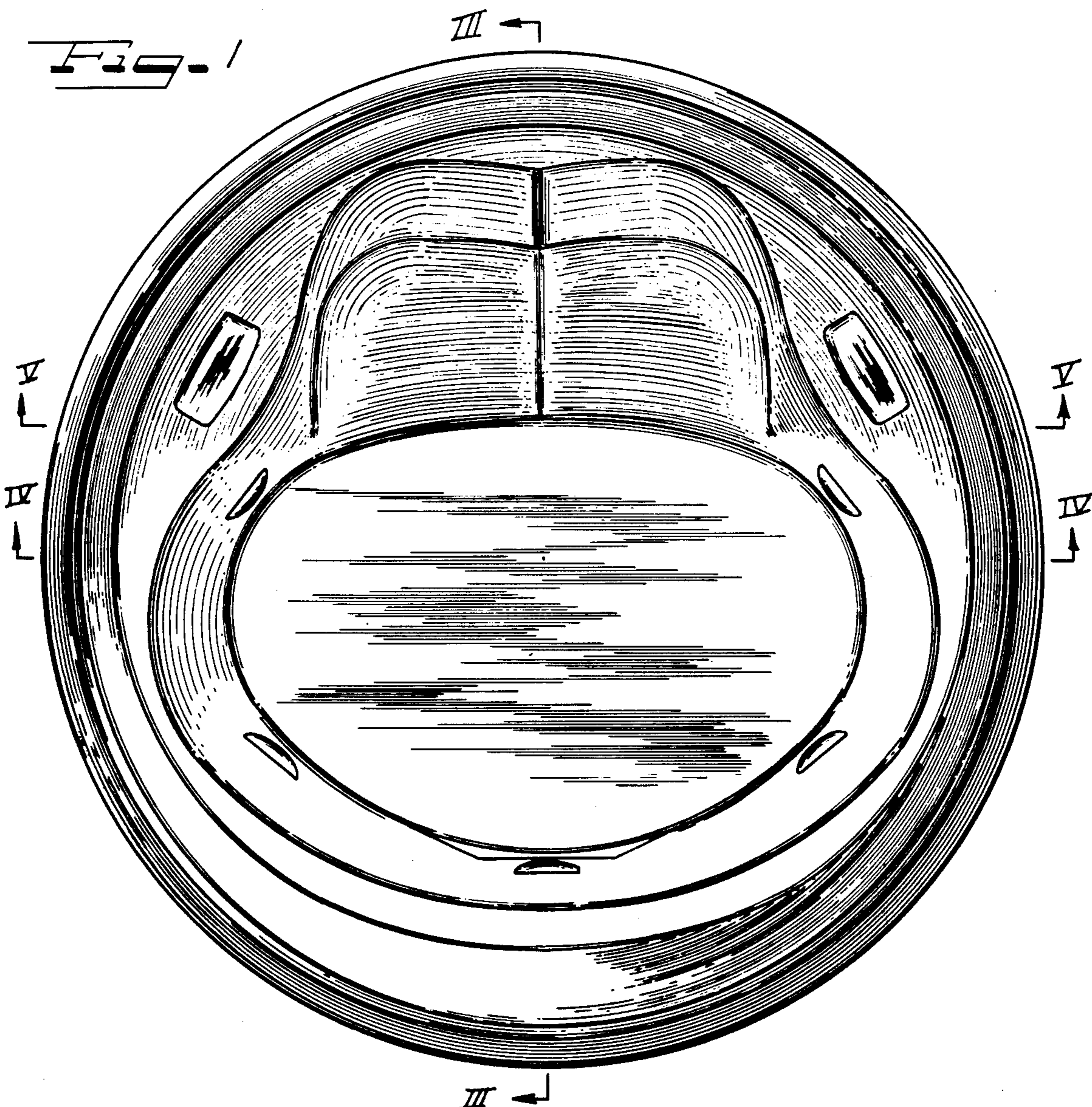


Fig. 3

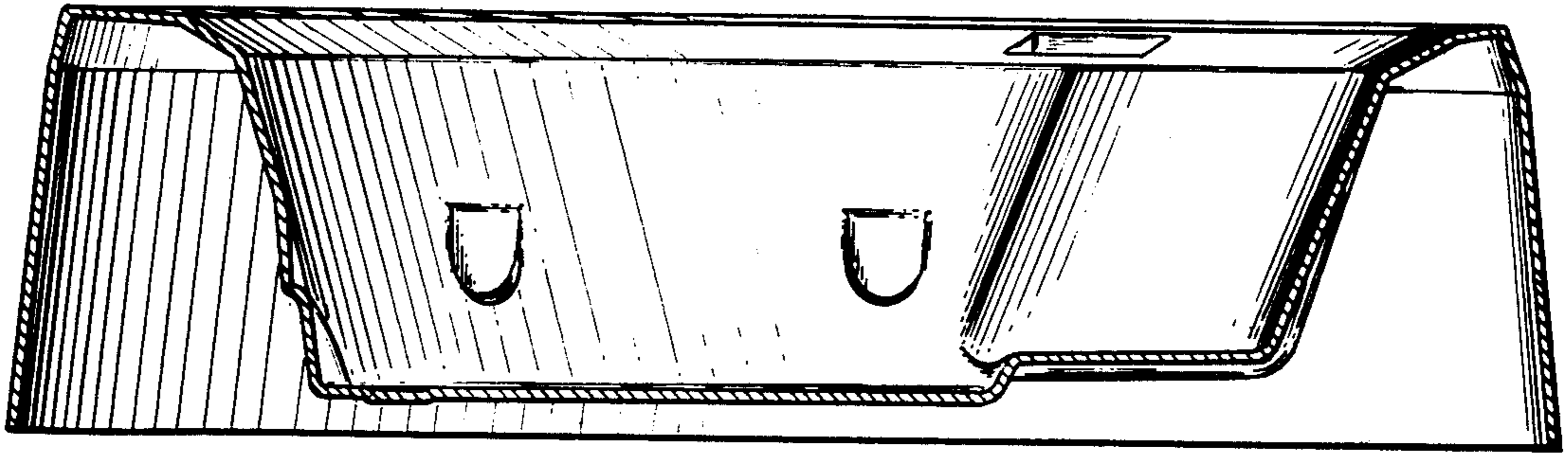


Fig. 4

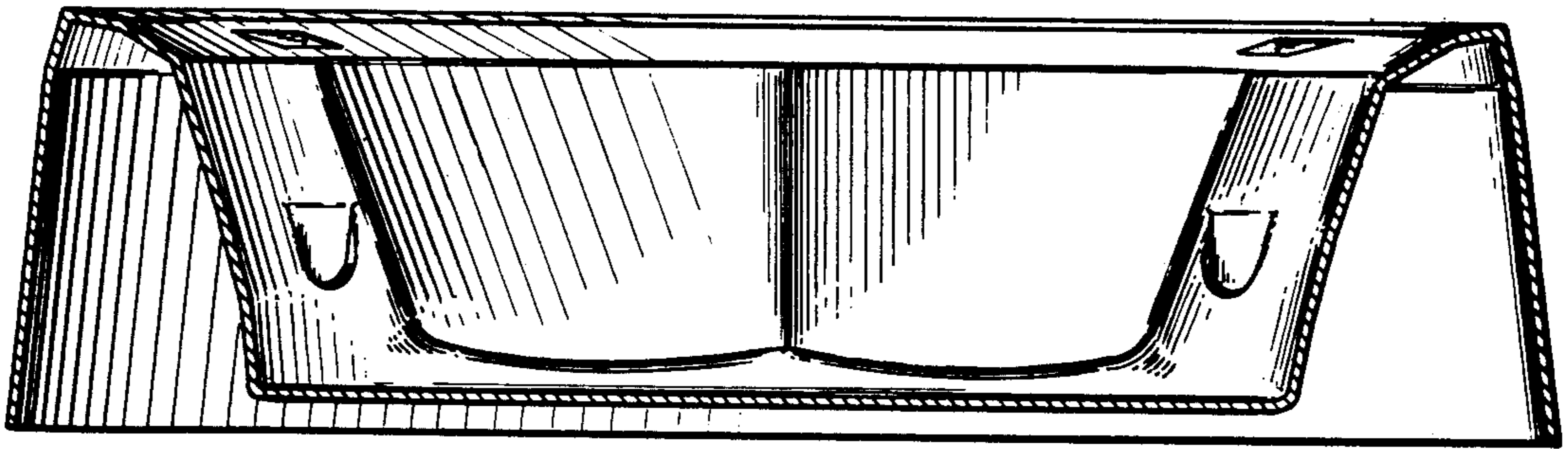
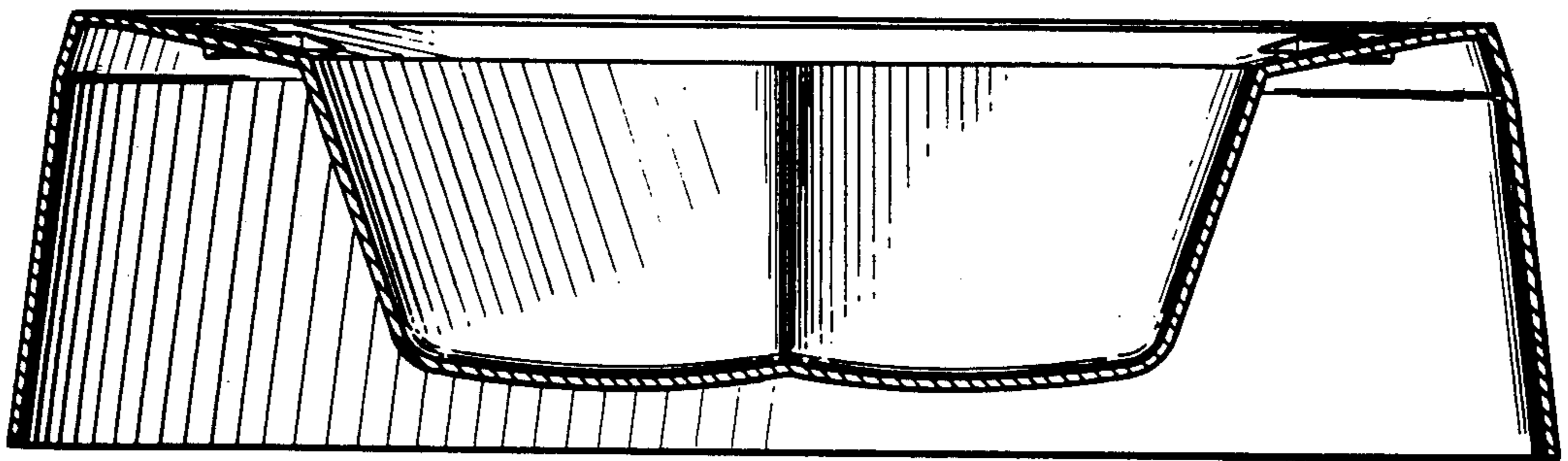


Fig. 5



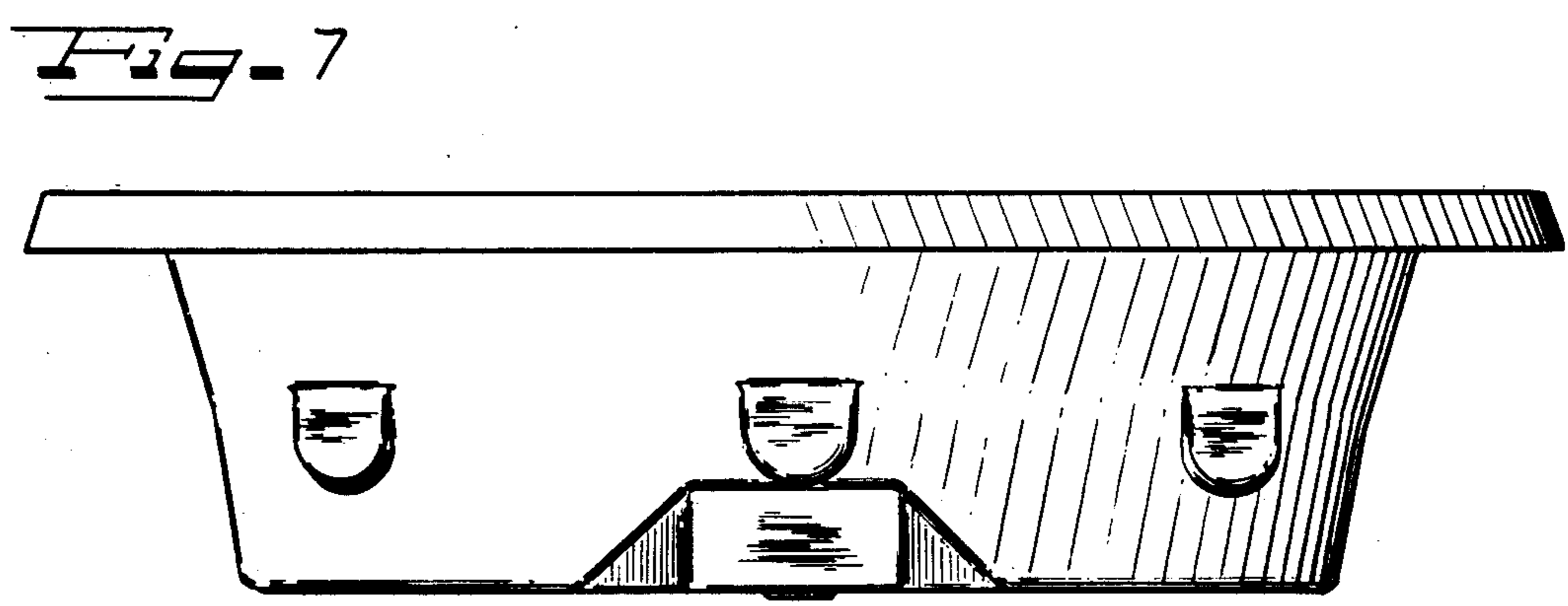
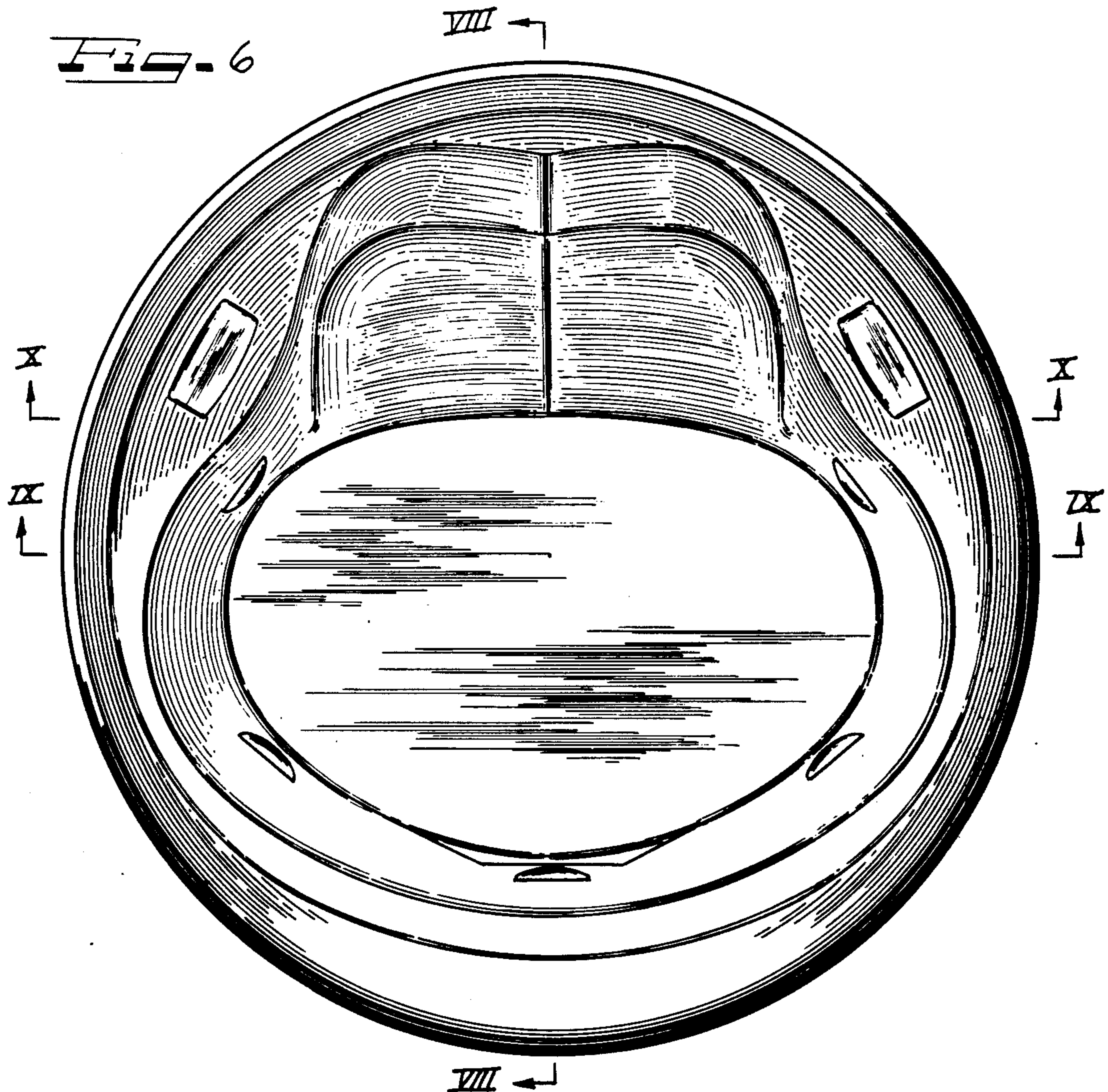


FIG-8

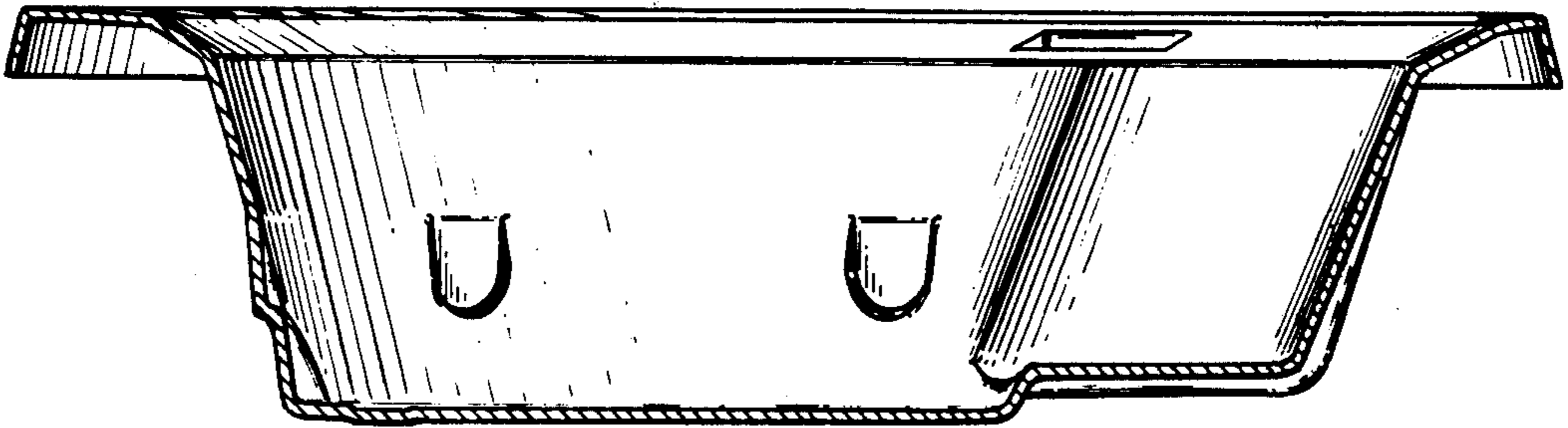


FIG-9

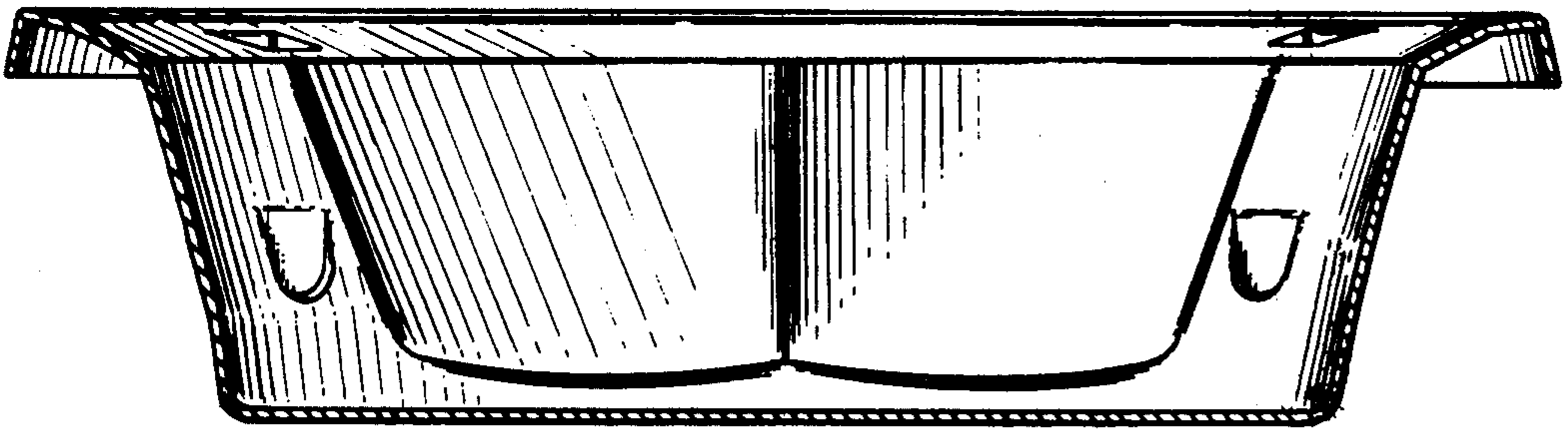


FIG-10

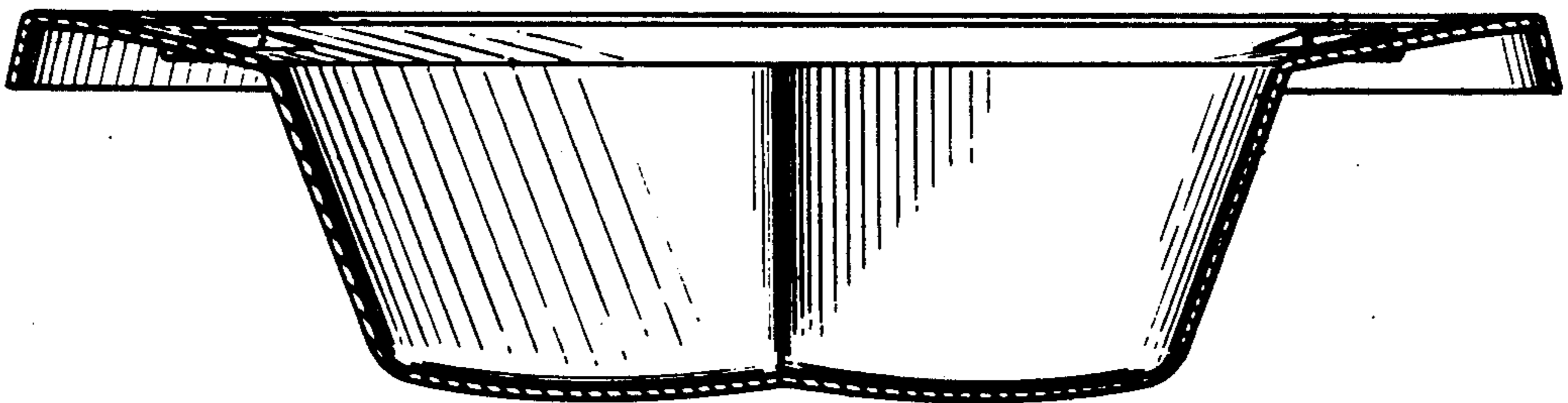
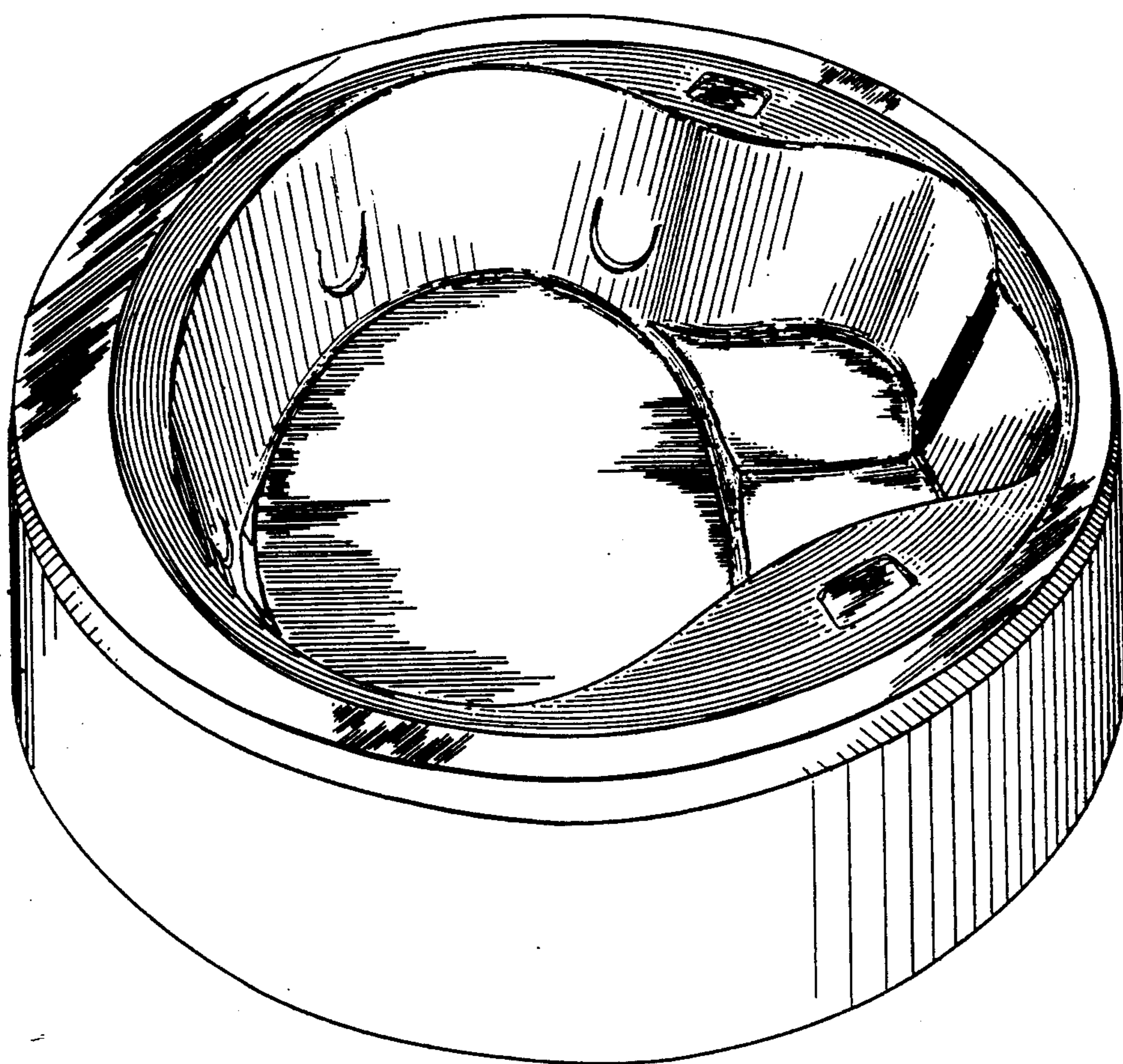


Fig. 11



UNITED STATES PATENT AND TRADEMARK OFFICE
CERTIFICATE OF CORRECTION

PATENT NO. : D252,042

DATED : June 5, 1979

INVENTOR(S) : Virgil Joseph Jacuzzi and John David Burgess

It is certified that error appears in the above-identified patent and that said Letters Patent are hereby corrected as shown below:

Page 1, line 7 Assignee should be changed to read --Jacuzzi Bros., Little Rock, Ark.

Signed and Sealed this

Twenty-seventh **Day of** *December* 1983

[SEAL]

Attest:

GERALD J. MOSSINGHOFF

Attesting Officer

Commissioner of Patents and Trademarks