

[54] FIREPLACE HEAT EXCHANGER DEVICE

[75] Inventors: Robert L. Williams; Frank M. Williams; J. Andrew Williams, all of Matthews, N.C.

[73] Assignee: Energy Conserving Equipment, Inc., Matthews, N.C.

[\*\*] Term: 14 Years

[21] Appl. No.: 821,780

[22] Filed: Aug. 4, 1977

[51] Int. Cl. .... D23—03; D7—08

[52] U.S. Cl. .... D23/94; D7/207

[58] Field of Search ..... D7/206, 207; D23/72, D23/93, 94, 95, 96, 97, 105, 106, 107, 108, 127, 130, 135; 126/120, 121, 163 R, 163 A, 164, 165; 165/165

[56] References Cited

U.S. PATENT DOCUMENTS

D. 245,097	7/1977	Boyd .....	D23/127
3,905,351	9/1975	Hatfield et al. ....	D7/207 X
4,078,542	3/1978	Young et al. ....	D7/207 X

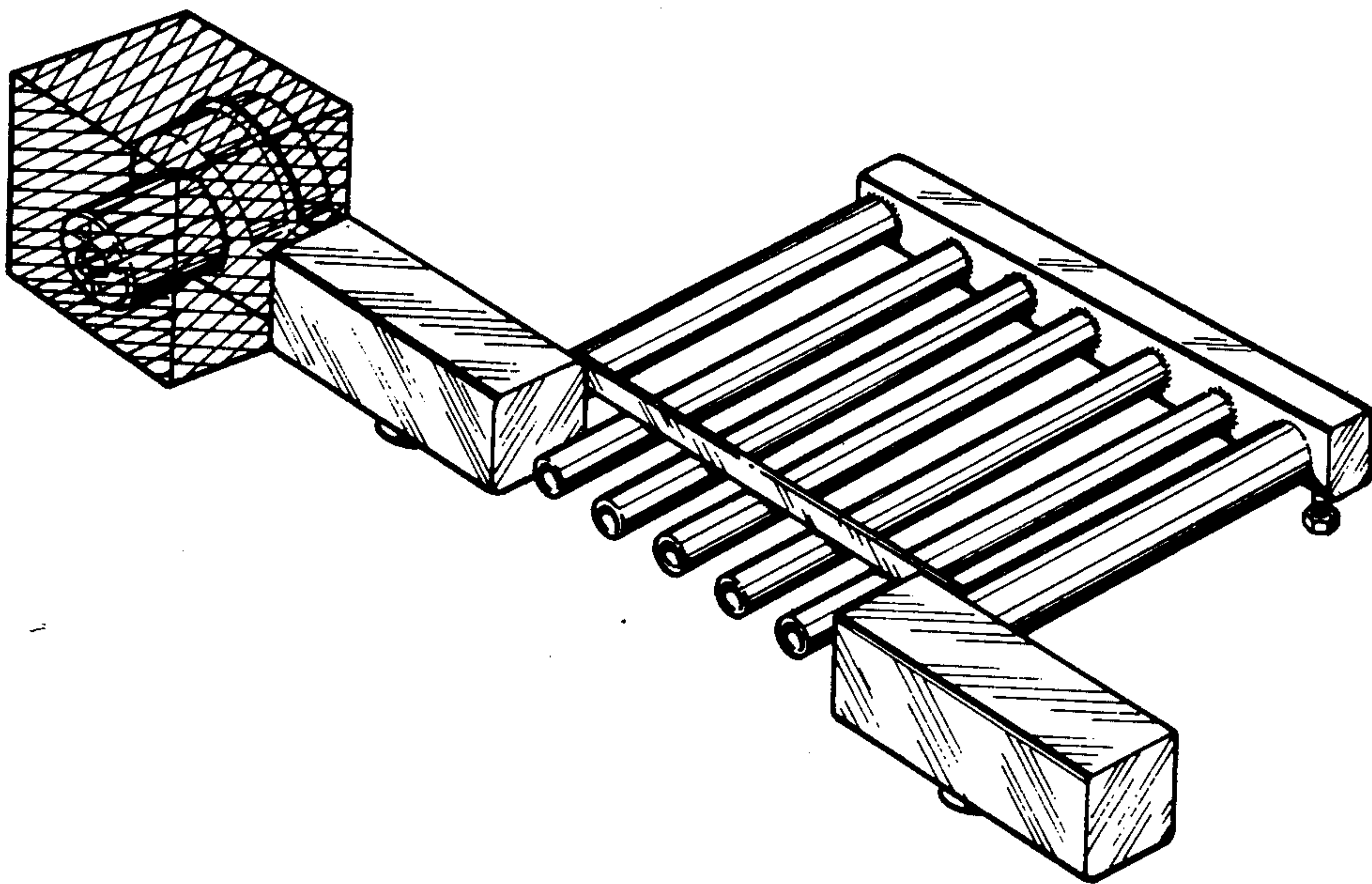
Primary Examiner—Wallace R. Burke  
Assistant Examiner—Catherine Kemper  
Attorney, Agent, or Firm—Channing L. Richards

[57] CLAIM

The ornamental design for a fireplace heat exchanger device, as shown.

DESCRIPTION

FIG. 1 is a perspective view of a fireplace heat exchanger device, showing our new design; FIG. 2 is top plan view thereof; FIG. 3 is front elevational view thereof; FIG. 4 is a right side elevational view thereof; FIG. 5 is a left side elevational view thereof; and FIG. 6 is a rear elevational view thereof.



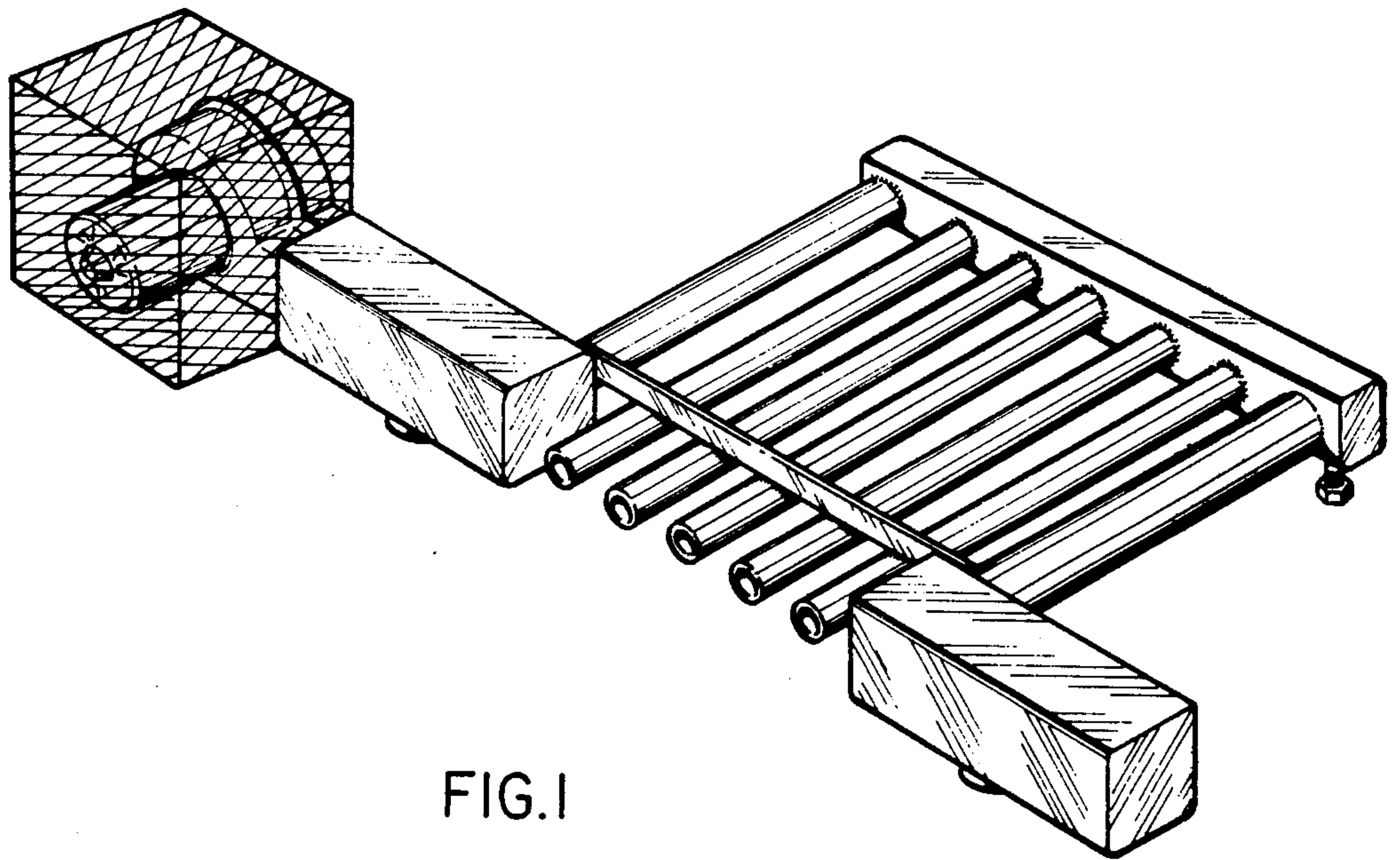


FIG. 1

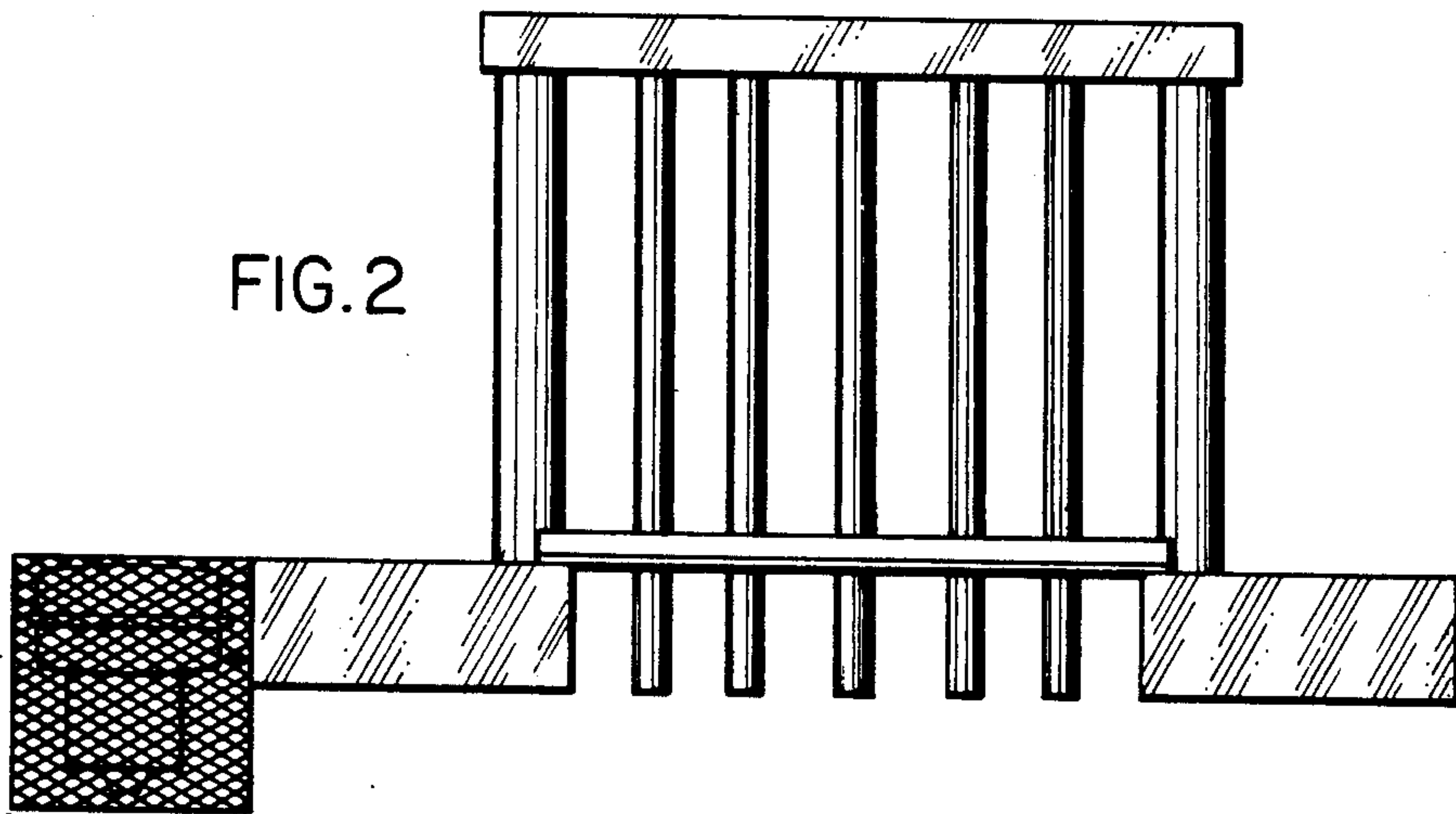


FIG. 2

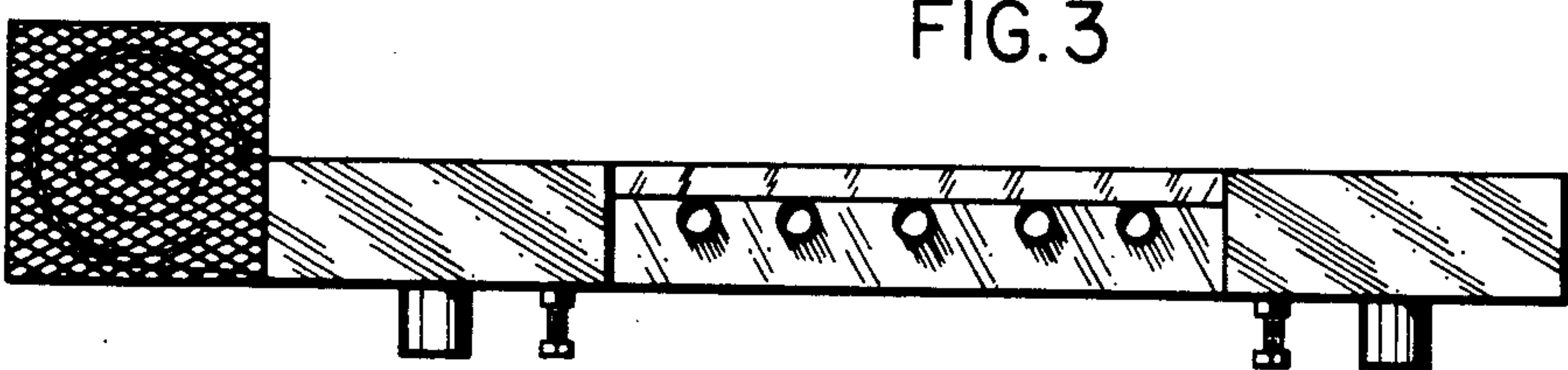


FIG. 3

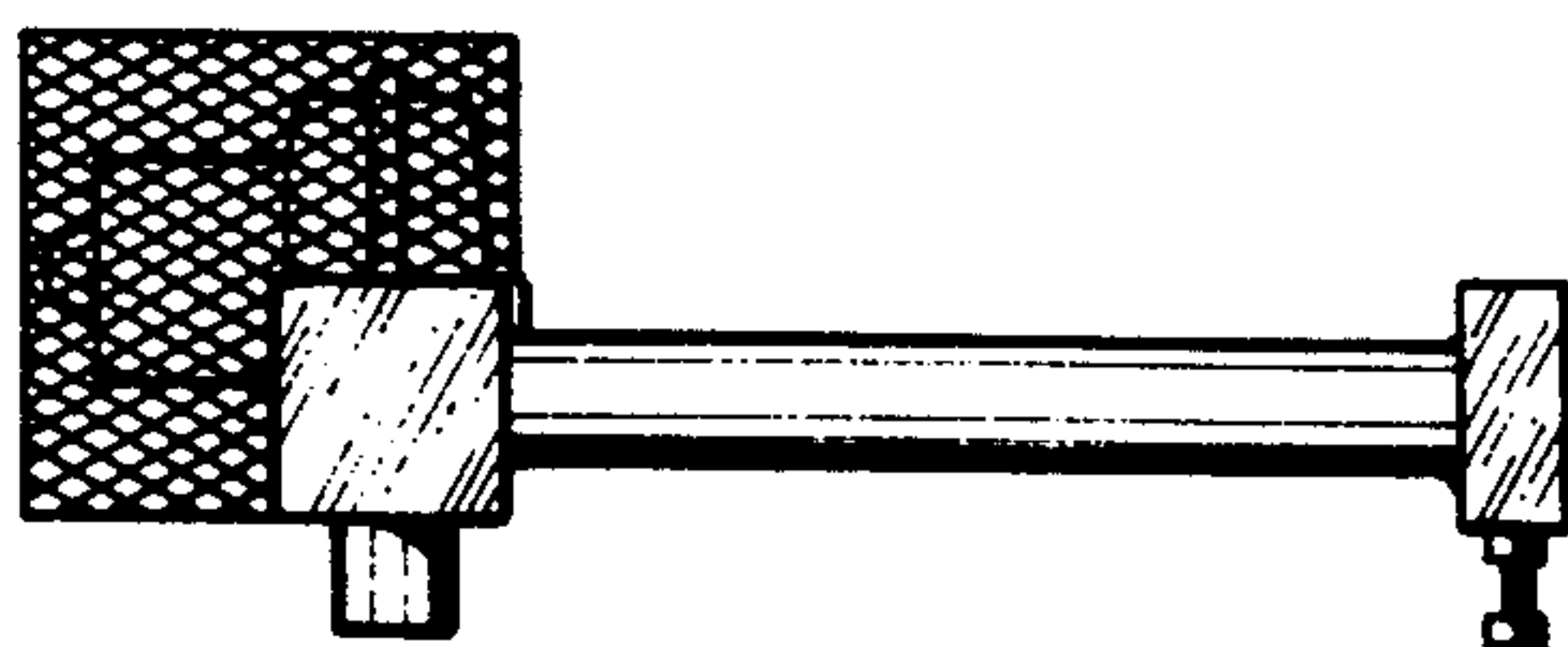


FIG. 4

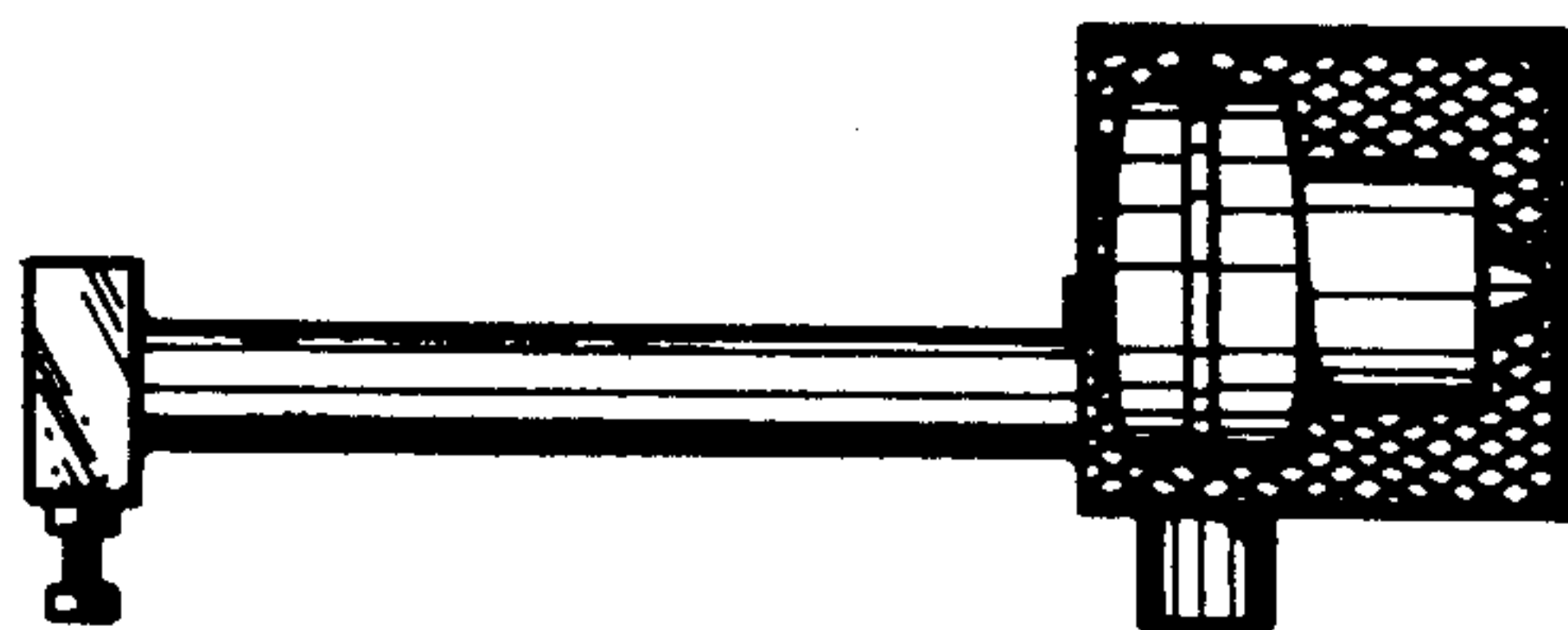


FIG. 5

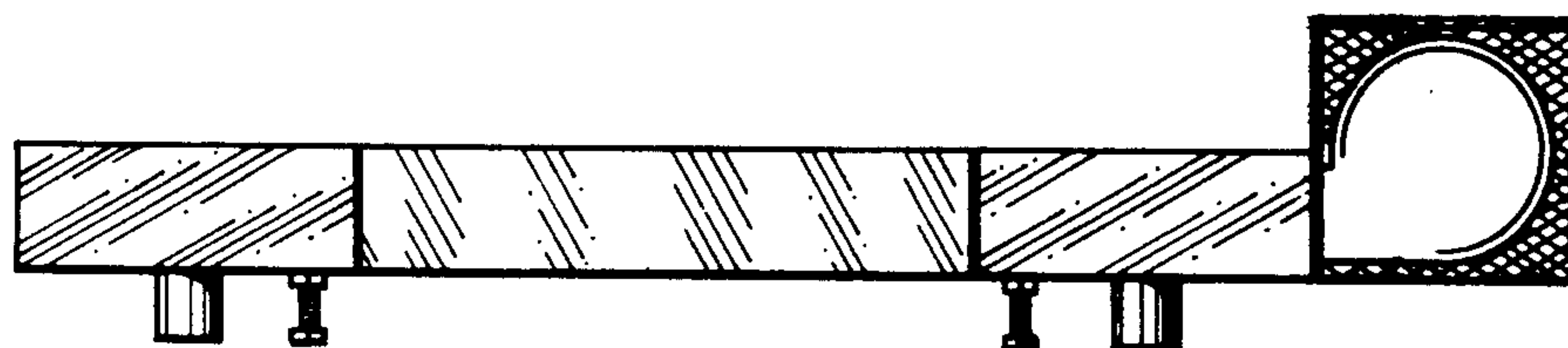


FIG. 6