

[54] DISPLAY CARTON  
 [75] Inventor: Gary L. Adreon, Bourbonnais, Ill.  
 [73] Assignee: Olinkraft, Inc., West Monroe, La.  
 [\*\*] Term: 14 Years  
 [21] Appl. No.: 787,668  
 [22] Filed: Apr. 14, 1977  
 [51] Int. Cl. .... D9-03  
 [52] U.S. Cl. .... D9/221  
 [58] Field of Search ..... 206/44 R, 45, 45.11,  
 206/45.18; 229/30, 33, 36, 17 B; D9/221, 242,  
 222, 171

2,340,148 1/1944 Silberstein ..... 206/45  
 2,511,211 6/1950 Klein et al. .... D9/221 X  
 3,167,179 1/1965 Goldstein ..... D9/221 X

Primary Examiner—Robert C. Spangler  
 Attorney, Agent, or Firm—Norvell E. Von Behren

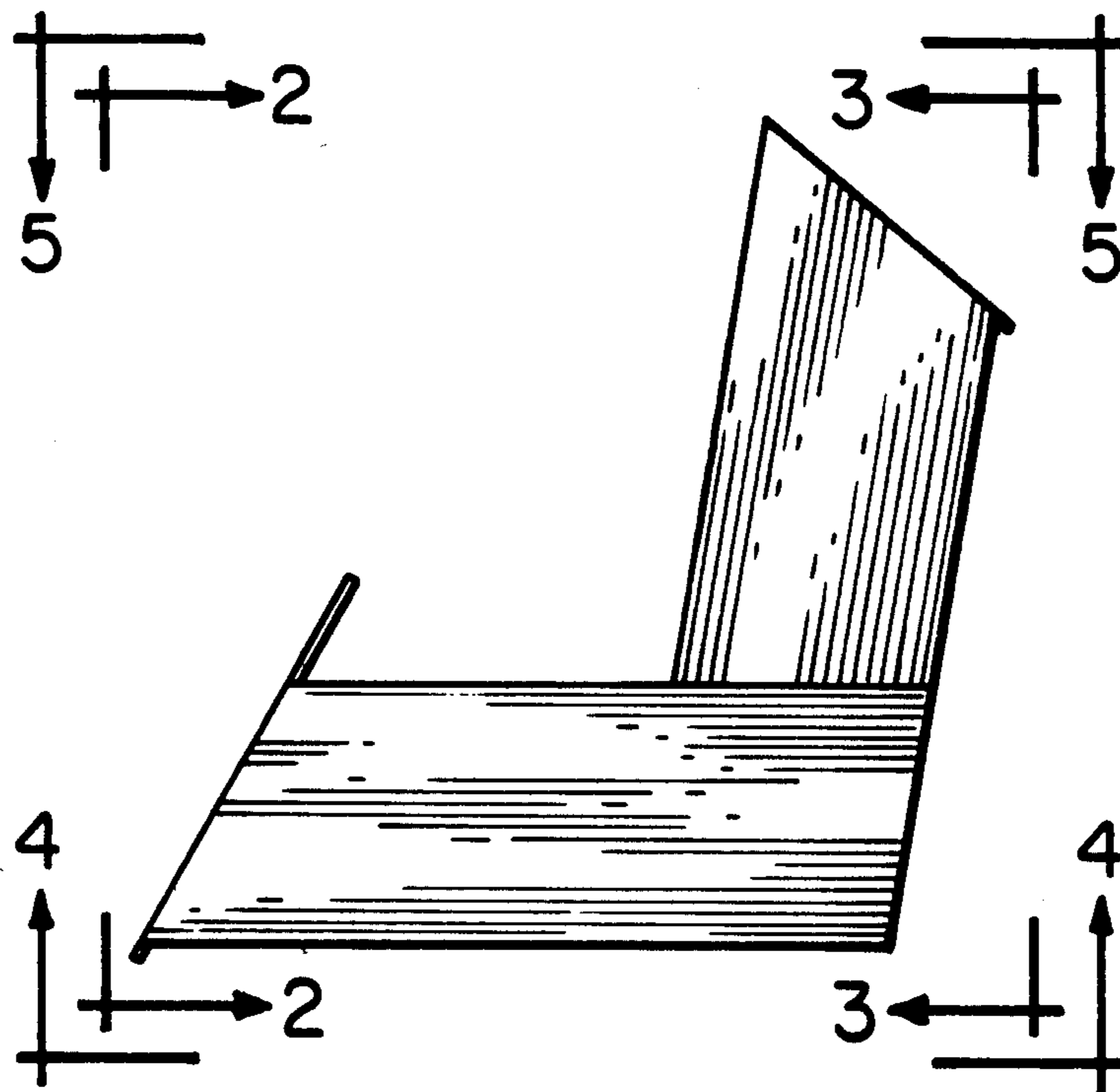
[57] CLAIM

The ornamental design for a display carton, substantially as shown and described.

DESCRIPTION

FIG. 1 is a right side elevational view of a display carton showing my new design, the left side being substantially a mirror image thereto;  
 FIG. 2 is a front elevational view taken along line 2—2 of FIG. 1;  
 FIG. 3 is a rear elevational view taken along line 3—3 of FIG. 1;  
 FIG. 4 is a bottom plan view taken along line 4—4 of FIG. 1; and  
 FIG. 5 is a top plan view taken along line 5—5 of FIG. 1.

[56] References Cited  
 U.S. PATENT DOCUMENTS  
 D. 200,180 1/1965 Korzaan ..... D9/221  
 D. 221,839 9/1971 Leathers ..... D9/222  
 993,330 5/1911 Walker ..... D9/221 X  
 2,052,675 9/1936 Tanner ..... 206/45.18



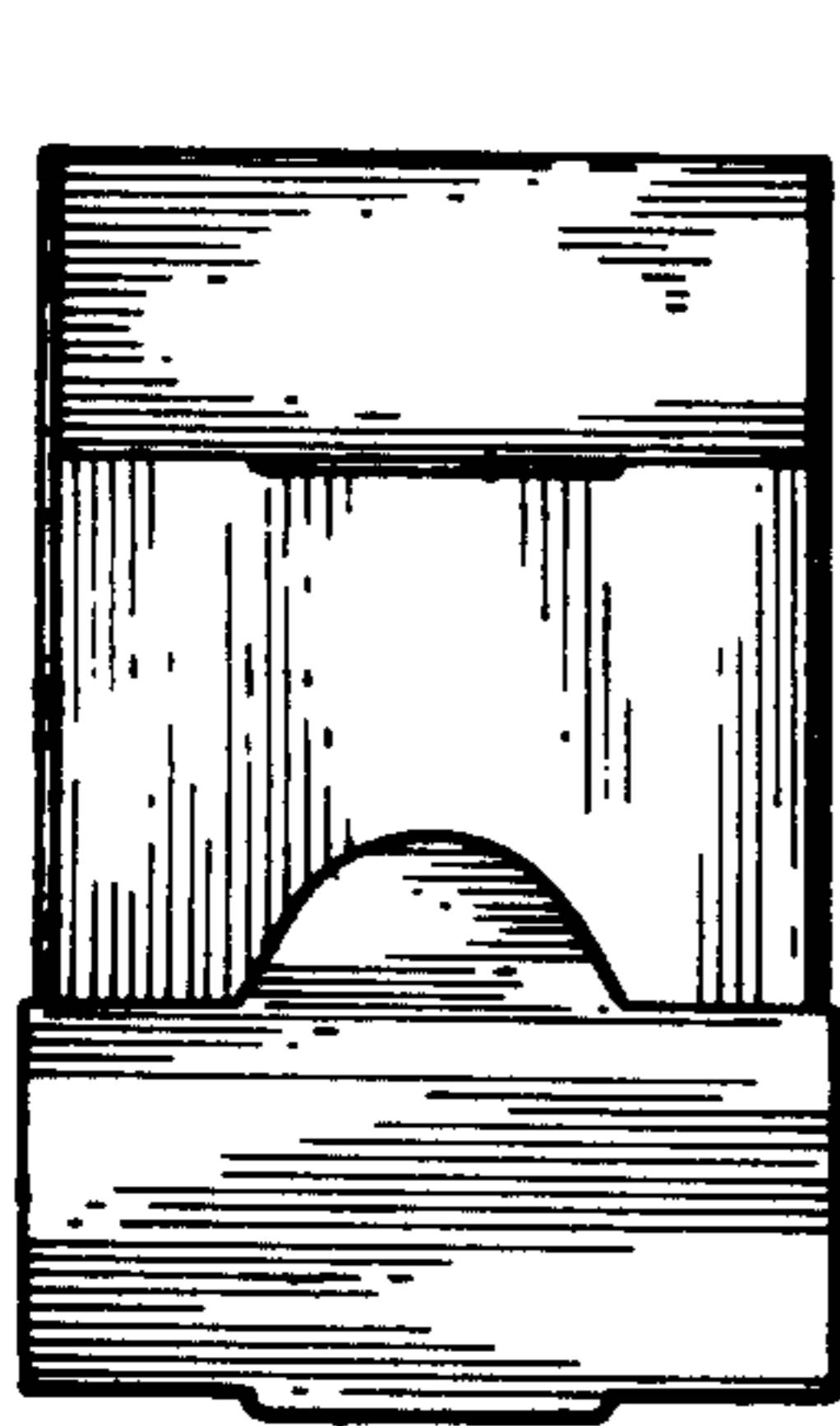


FIG. 2

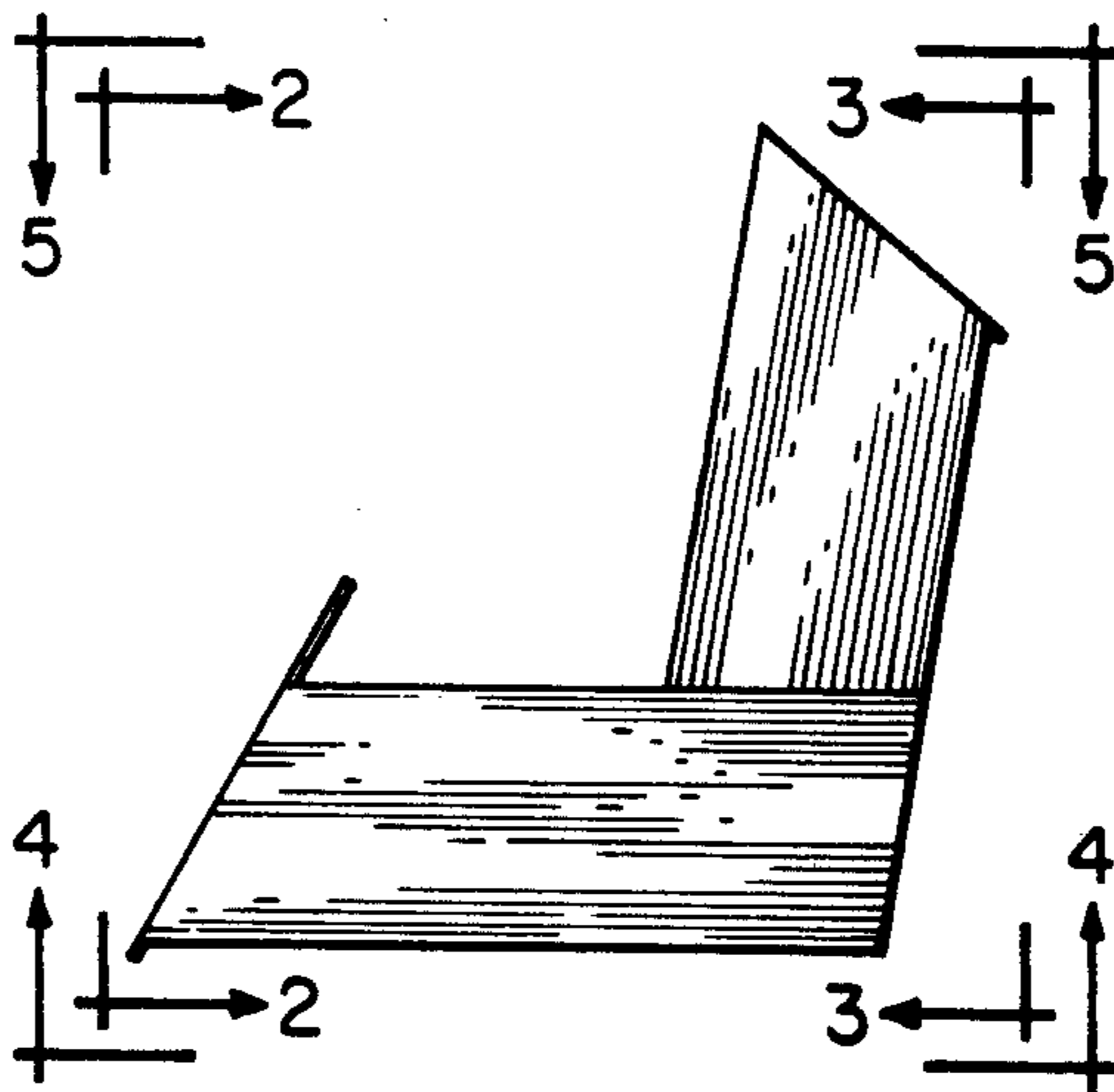


FIG. 1

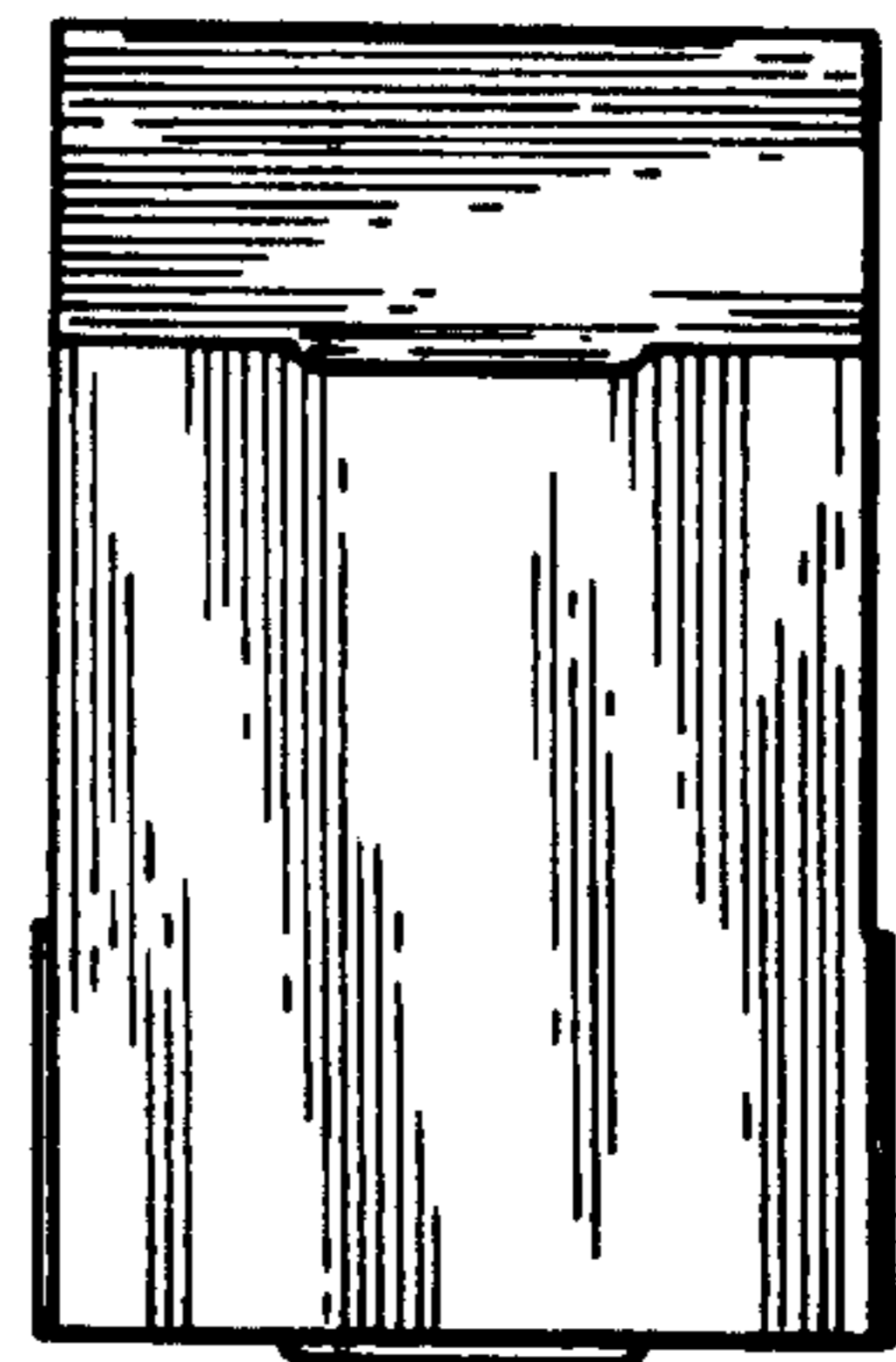


FIG. 3

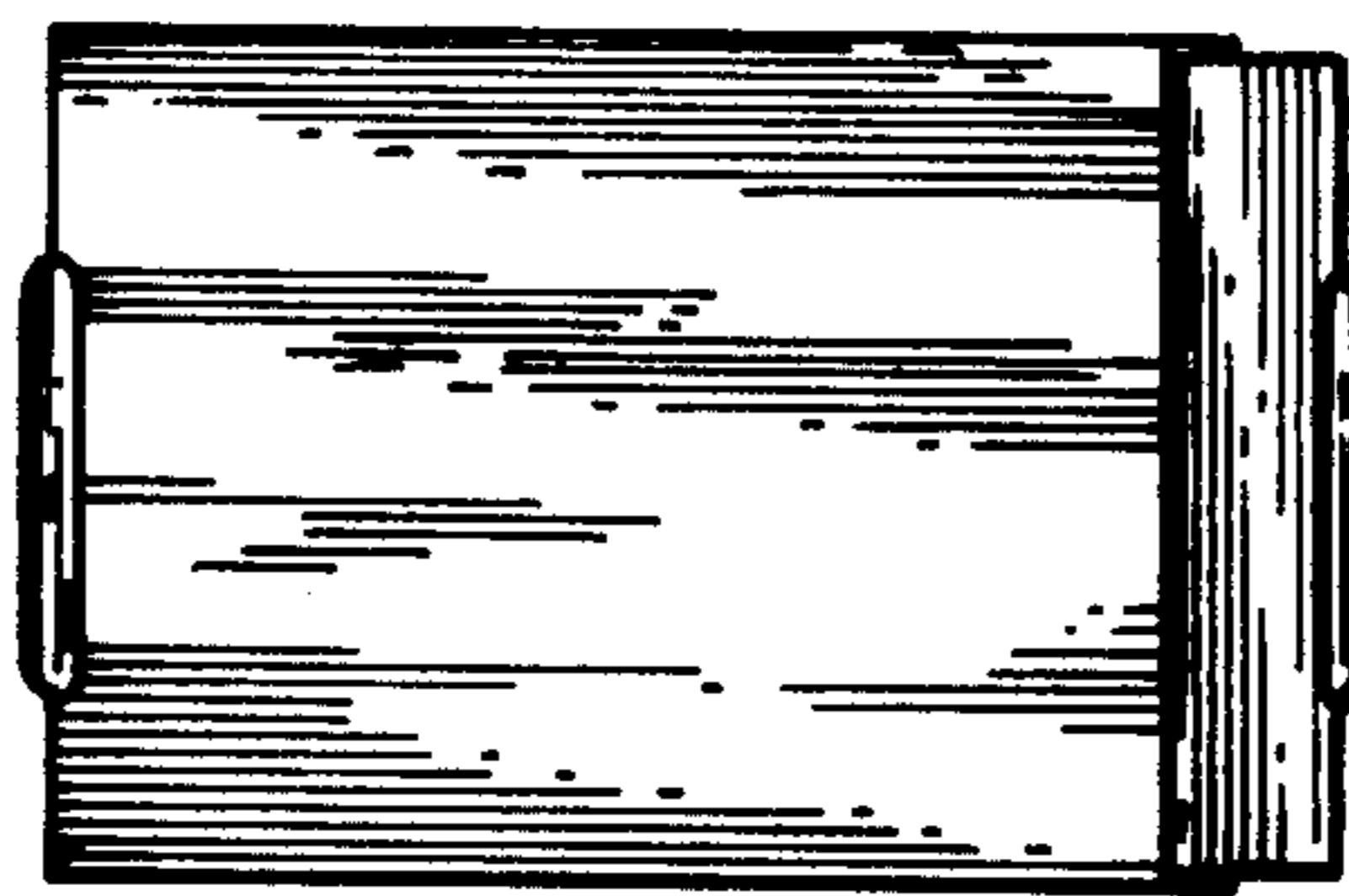


FIG. 4

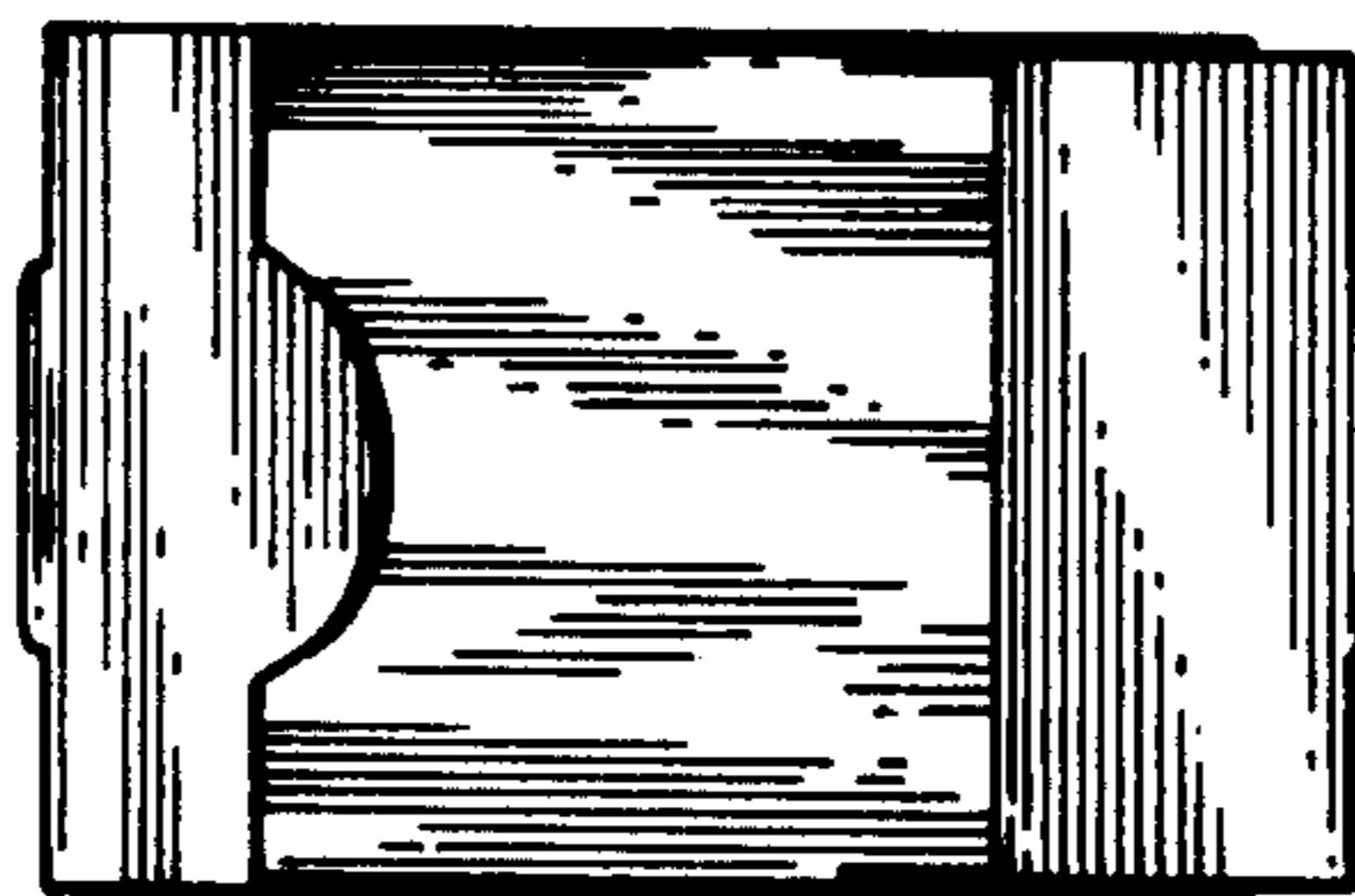


FIG. 5