

[54] COMBINED ENTRY HANDLE AND ESCUTCHEON

[75] Inventor: Teresa R. B. Pittenger, Rockford, Ill.

[73] Assignee: Amerock Corporation, Rockford, Ill.

[**] Term: 14 Years

[21] Appl. No.: 925,568

[22] Filed: Jul. 17, 1978

[51] Int. Cl. D8-06

[52] U.S. Cl. D8/302; D8/320

[58] Field of Search D8/300-302, D8/305-307, 310-322, 350-353, 367; D6/86, 89, 90, 93, 97, 99, 103, 120, 122; 16/110 R, 121, 124-127; 292/347, 357

[56] References Cited

U.S. PATENT DOCUMENTS

D. 43,534 2/1913 Hawley D8/310

OTHER PUBLICATIONS

Sayer Builder's Hardware Cat. 37, ©1937, p. 291, Doorpull No. EG 3890.

Barrows Builder's Hardware Cat. 38, ©1939, p. 269, Doorpull No. B165162.

Primary Examiner—Wallace R. Burke

Assistant Examiner—B. J. Bullock

Attorney, Agent, or Firm—C. Frederick Leydig

[57] CLAIM

The ornamental design for a combined entry handle and escutcheon, as shown.

DESCRIPTION

FIG. 1 is a side elevational view of a combined entry handle and escutcheon incorporating my new design.

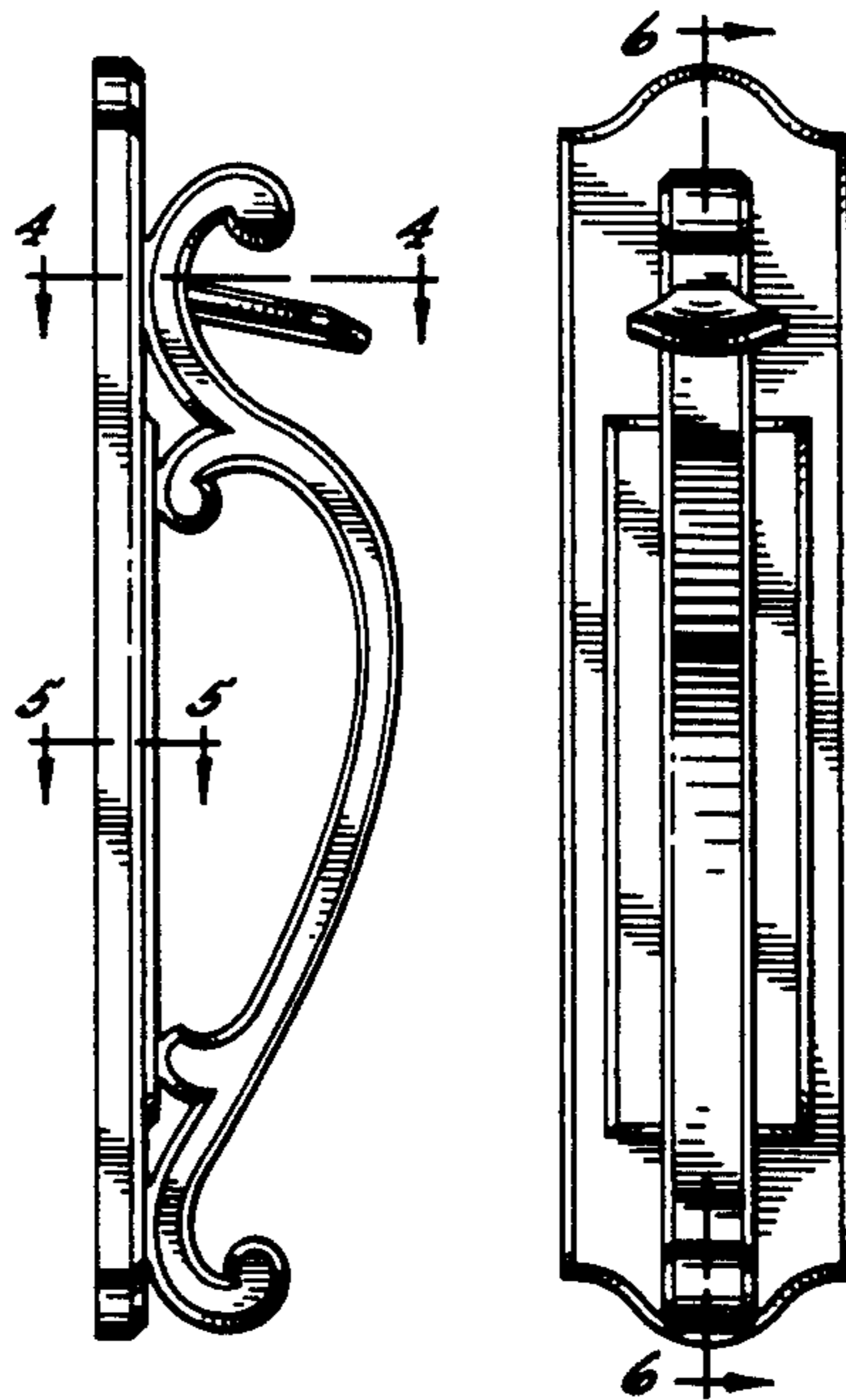
FIG. 2 is a front elevational view of the entry handle.

FIG. 3 is a top view.

FIG. 4 is a sectional view taken in the direction of the arrows on line 4-4 of FIG. 1;

FIG. 5 is a sectional view taken along the line 5-5 in FIG. 1.

FIG. 6 is a sectional view taken in the direction of the arrows on line 6-6 of FIG. 1.



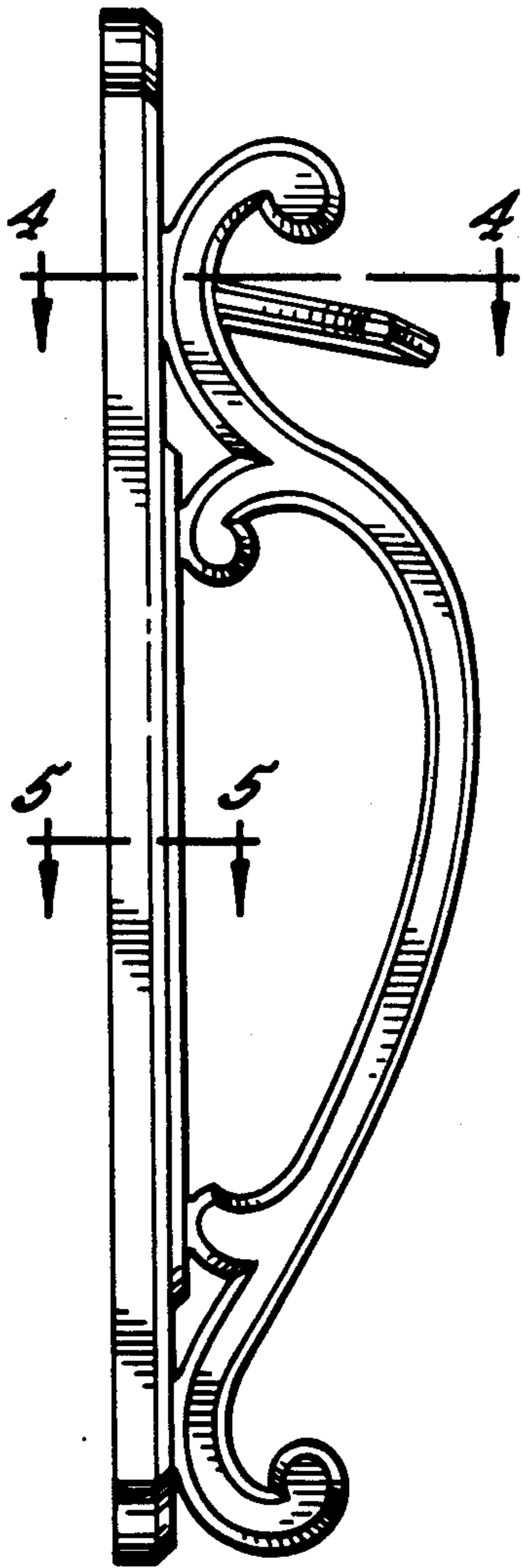


Fig. 1.

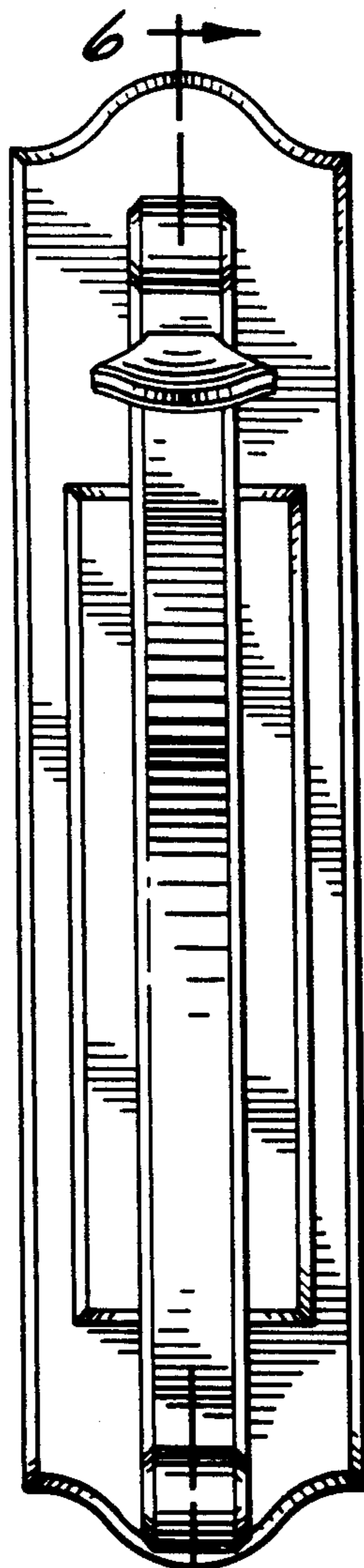


Fig. 2.

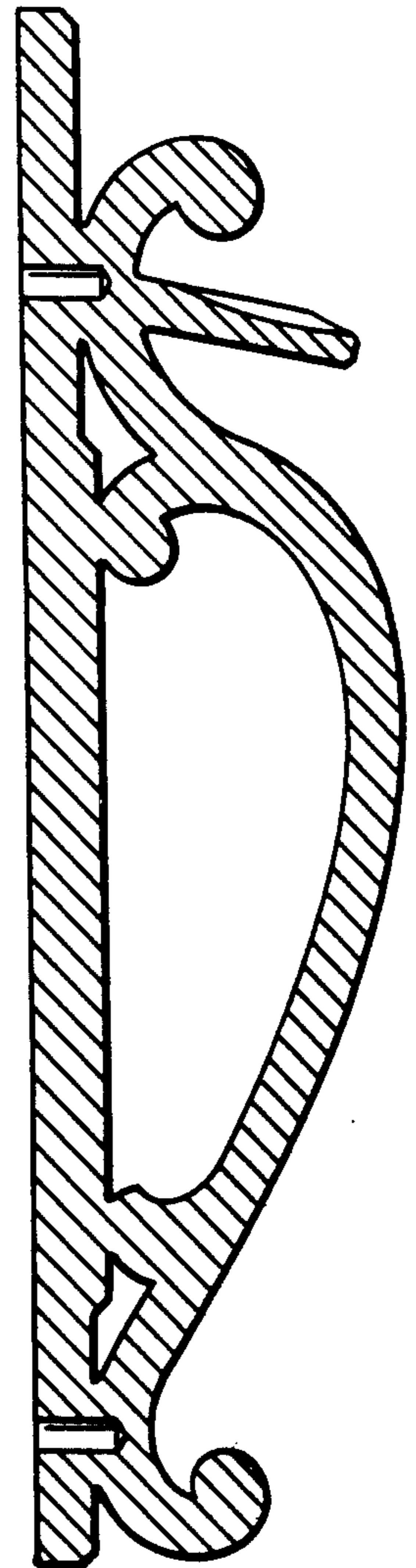


Fig. 6.

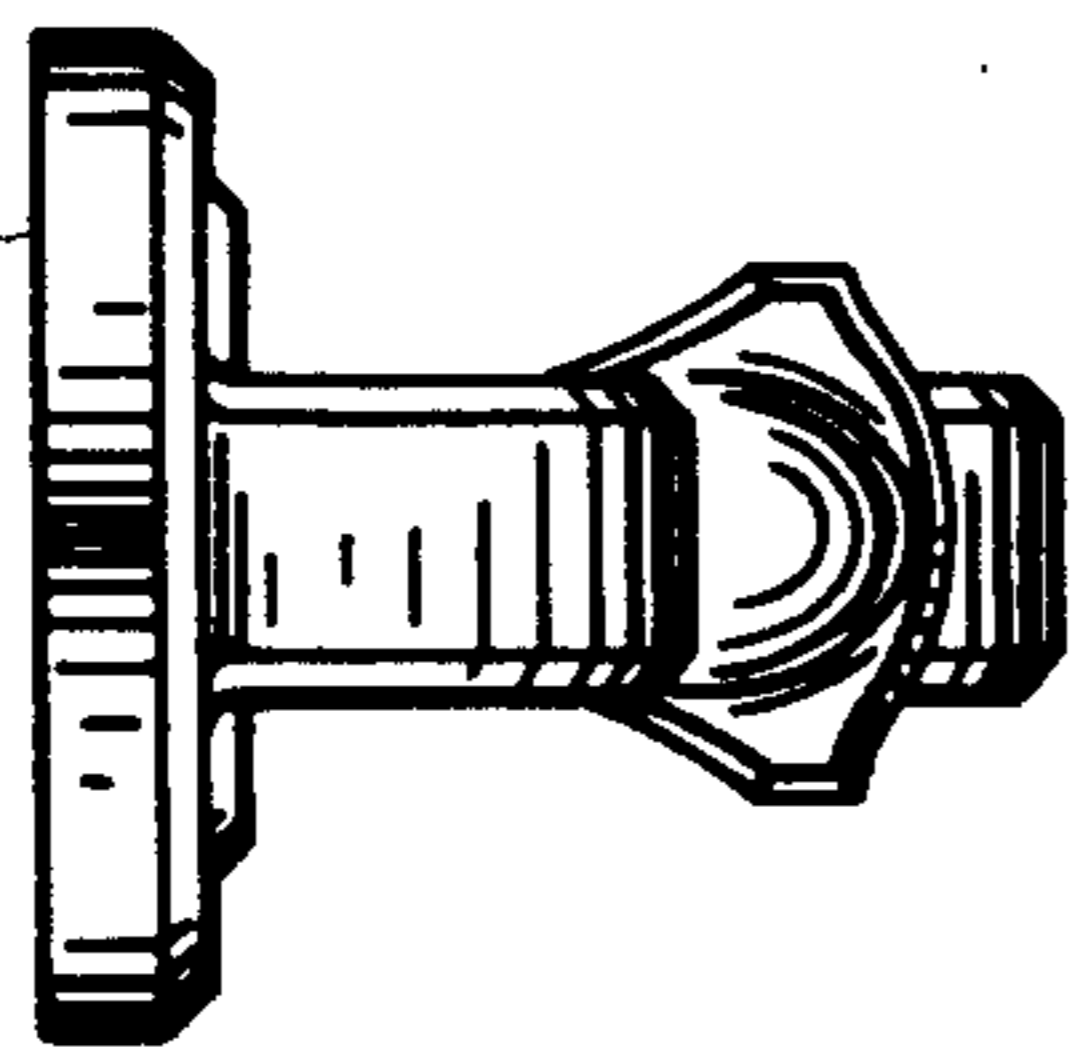


Fig. 3.

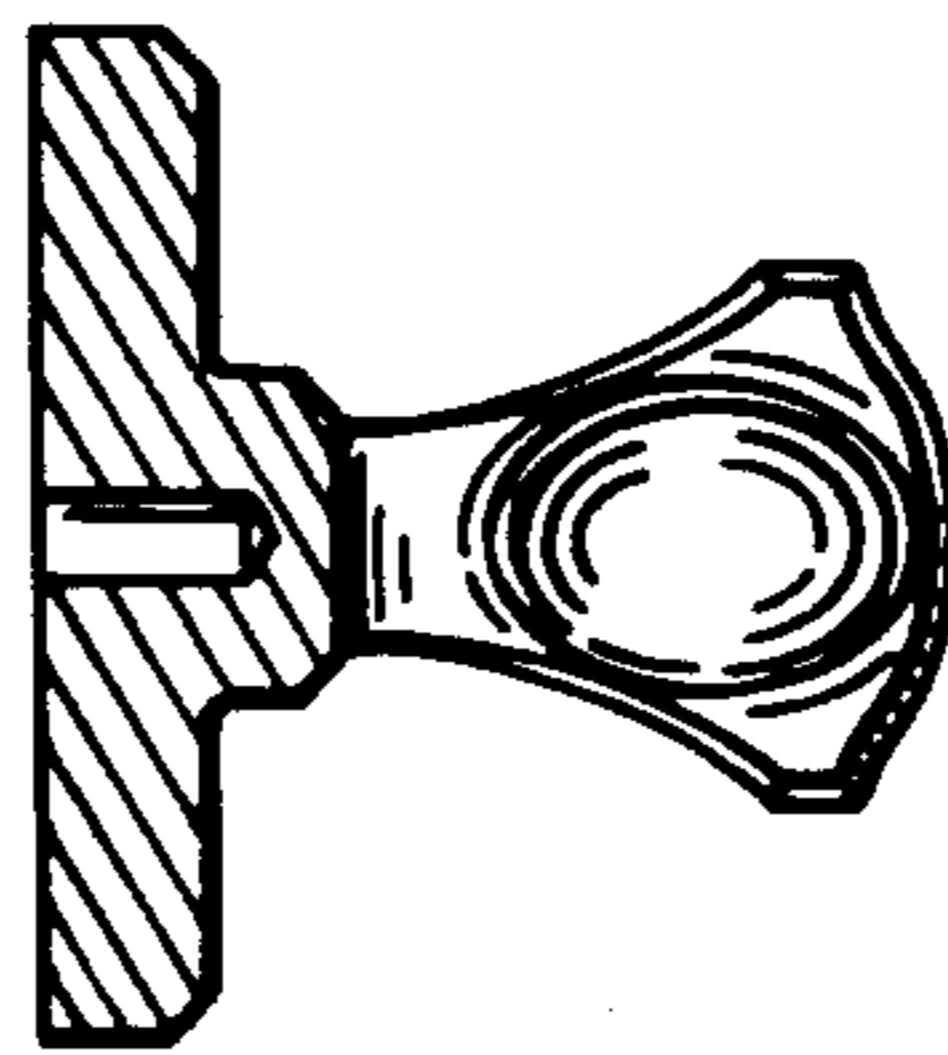


Fig. 4.



Fig. 5.