

[54] COOKING GRILL

[56] References Cited

U.S. PATENT DOCUMENTS

[76] Inventor: **Homer R. Morgan**, 2765 Townley Cir., NE., Atlanta, Ga. 30340

758,015 4/1904 Miller ..... 248/125  
2,960,979 11/1960 Stone ..... D7/109 X

[\*\*] Term: 14 Years

Primary Examiner—Wallace R. Burke  
Assistant Examiner—Catherine Kemper  
Attorney, Agent, or Firm—B. J. Powell

[21] Appl. No.: 811,477

[57] CLAIM

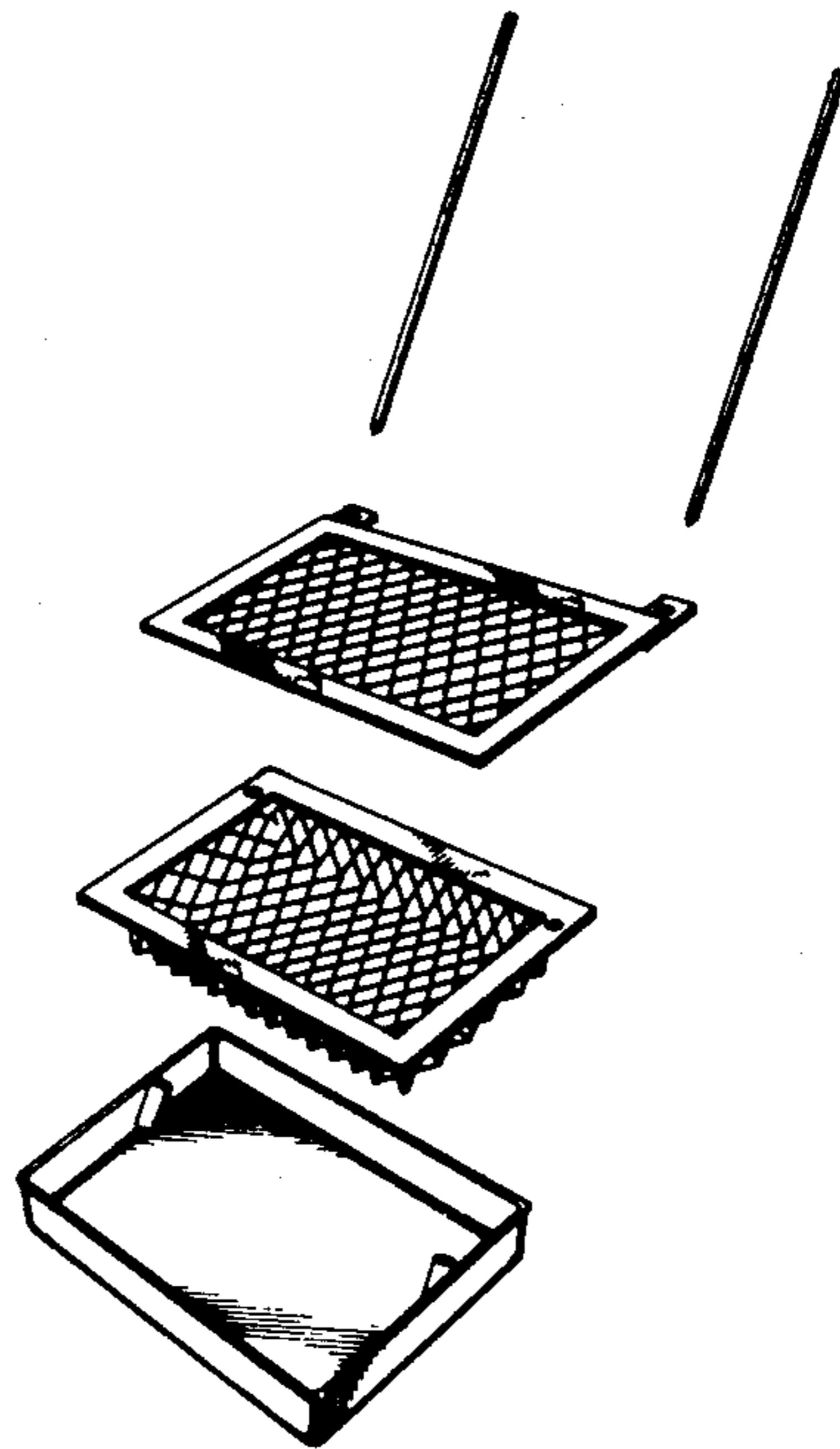
The ornamental design for a cooking grill, substantially as shown and described.

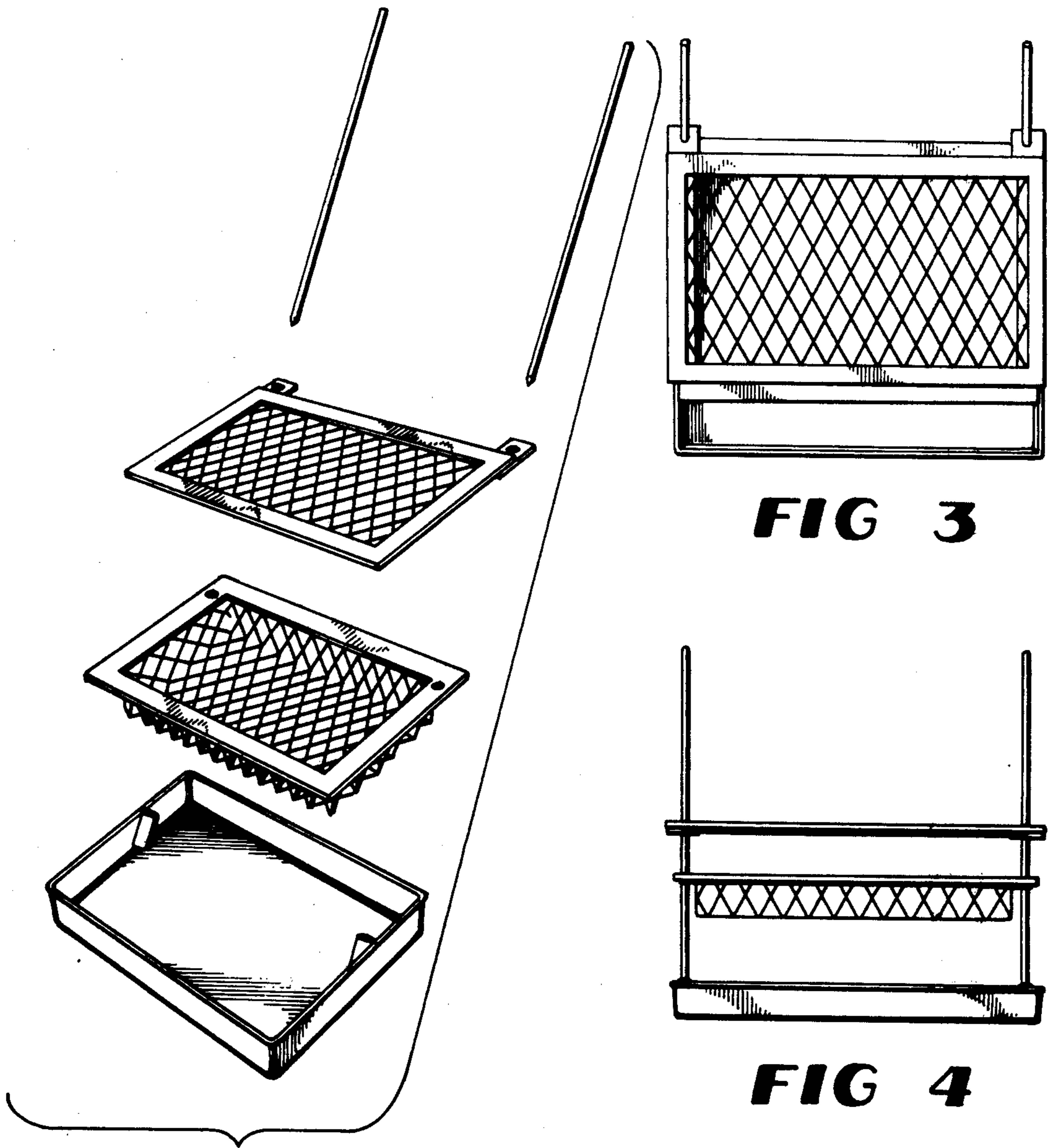
[22] Filed: Jun. 30, 1977

DESCRIPTION

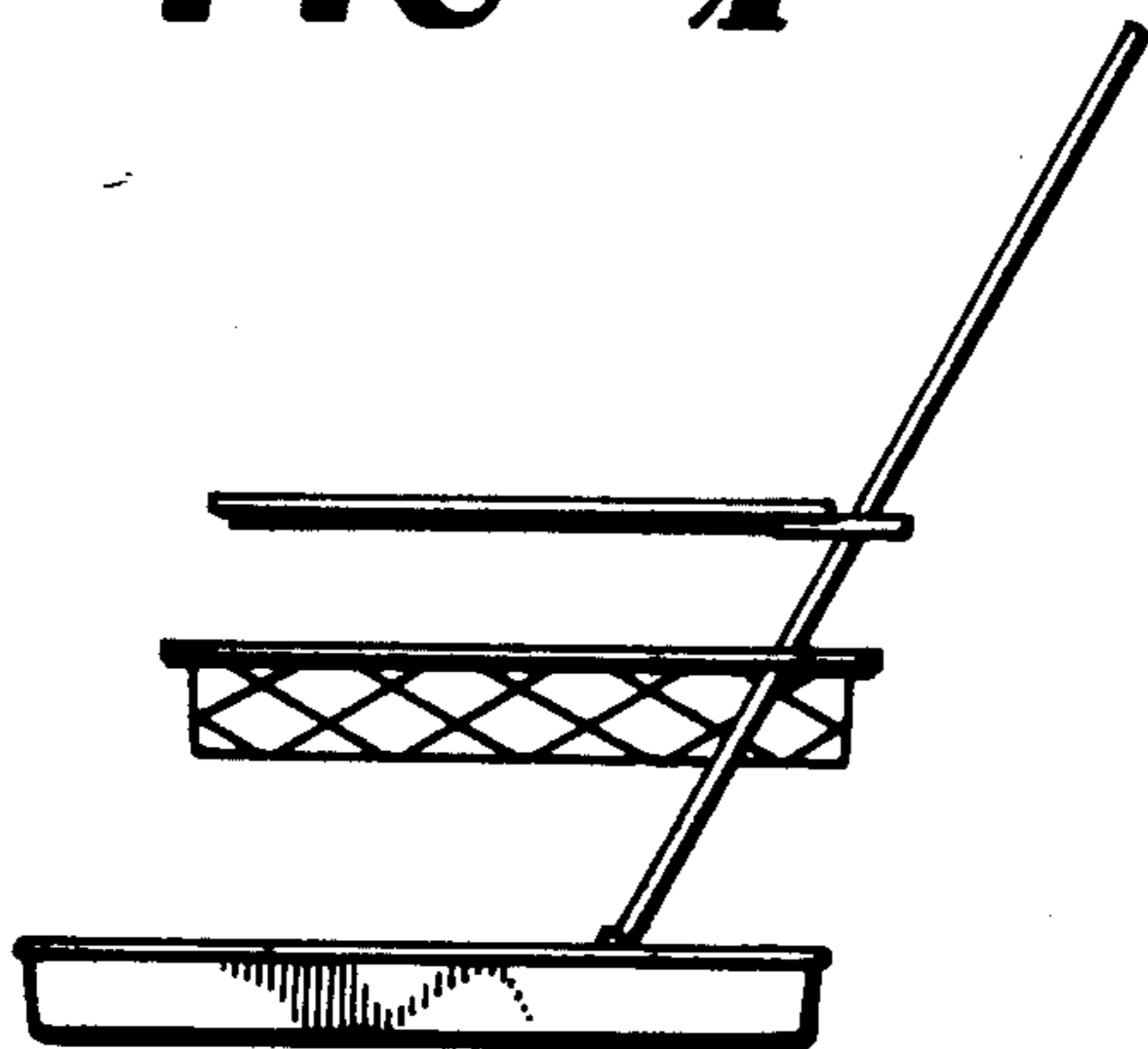
[51] Int. Cl. .... D7—02  
[52] U.S. Cl. .... D7/107  
[58] Field of Search ..... D7/107, 108, 109, 110;  
126/25 R, 25 A, 25 AA, 25 B, 25 C, 29, 30, 9 R,  
9 A, 9 B

FIG. 1 is an exploded perspective view of a cooking grill, showing my new design;  
FIG. 2 is a side elevational view of the assembled cooking grill, the opposite side being a mirror image thereof;  
FIG. 3 is a top plan view thereof;  
FIG. 4 is a front elevational view thereof;  
FIG. 5 is a rear elevational view thereof.

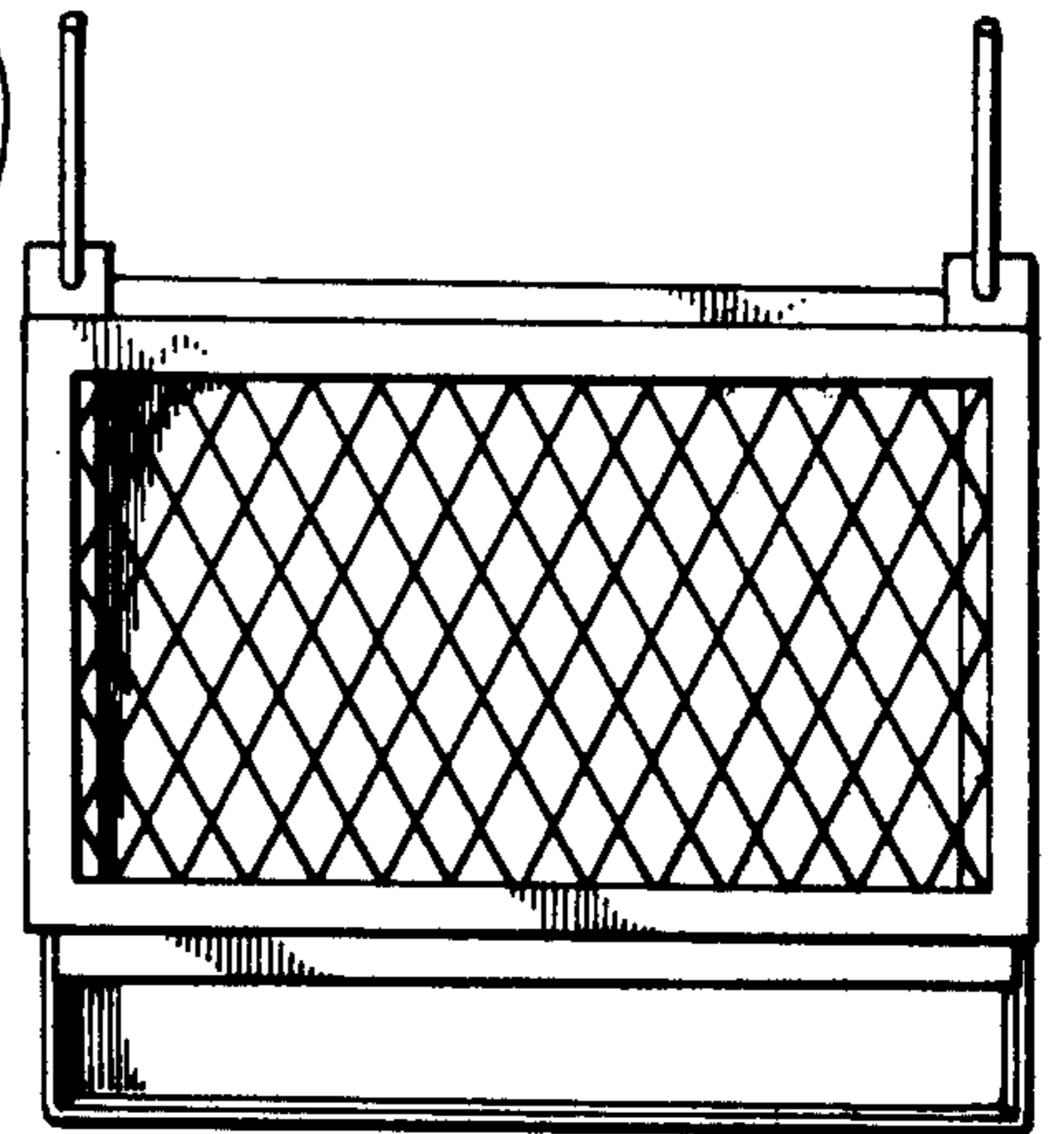




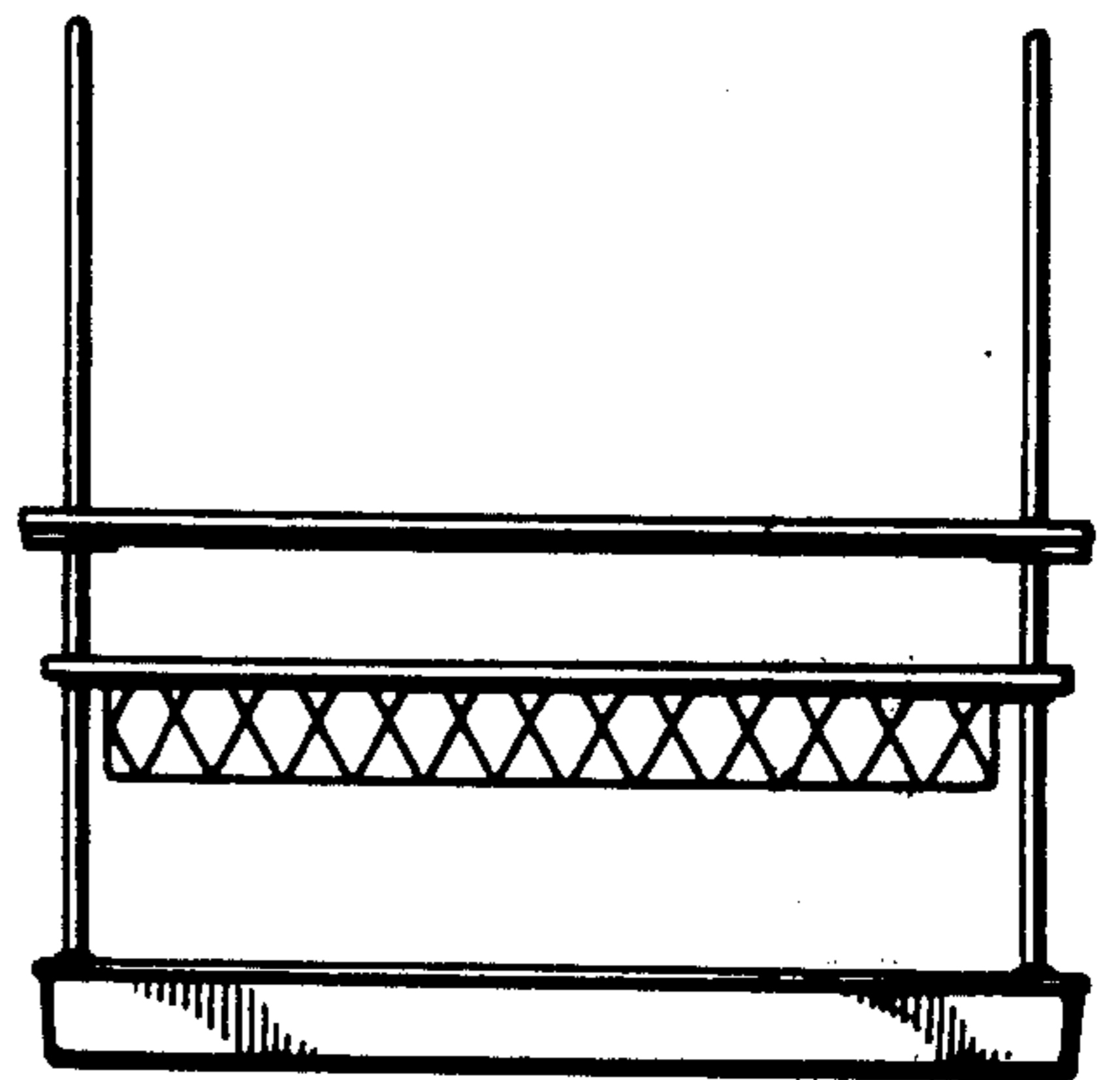
**FIG 1**



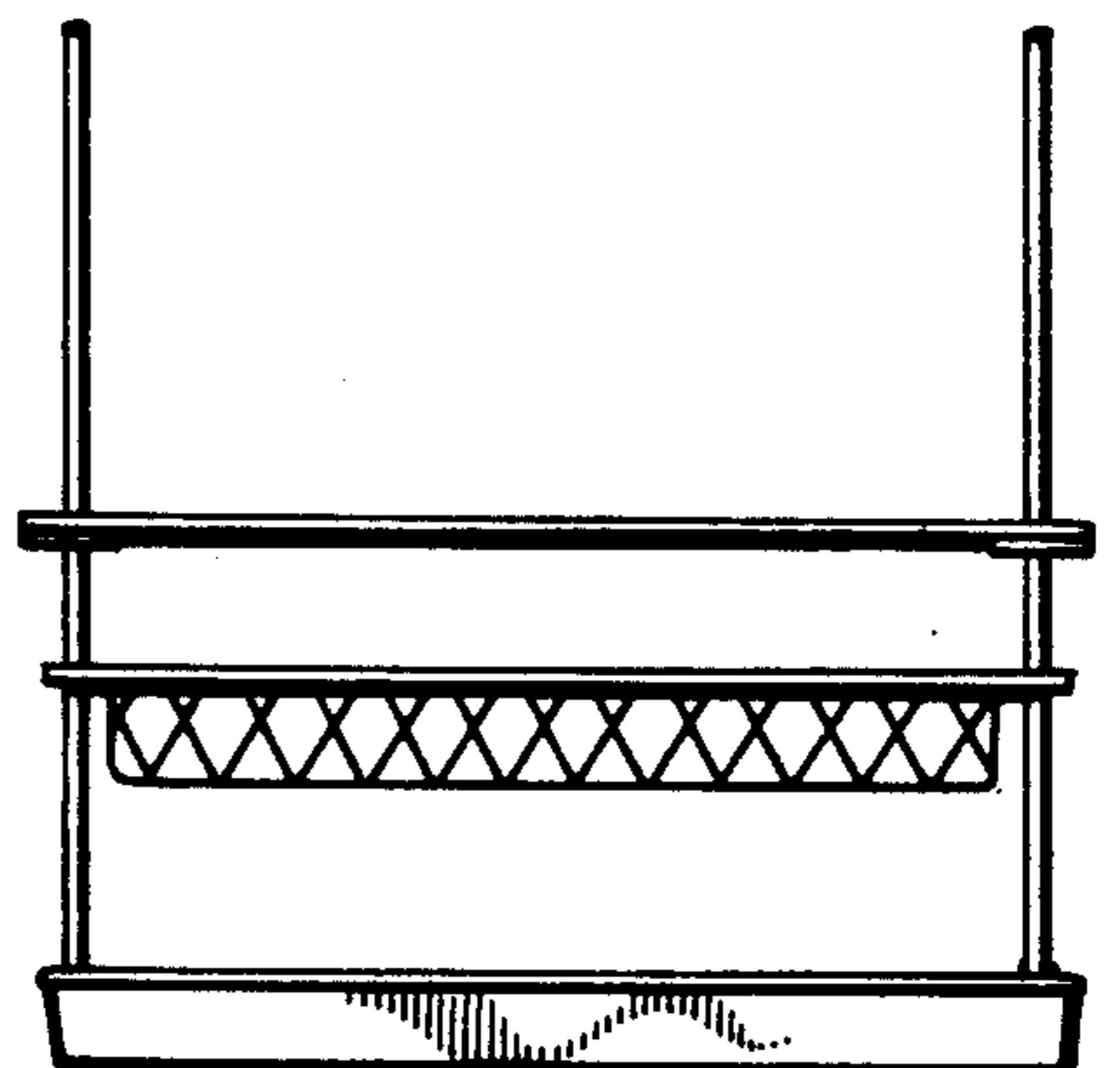
**FIG 2**



**FIG 3**



**FIG 4**



**FIG 5**