

- [54] **CANDY JAR**
- [75] Inventor: **Robert J. Welch**, West Chicago, Ill.
- [73] Assignee: **Tootsie Roll Industries, Inc.**,
Chicago, Ill.
- [**] Term: **14 Years**
- [21] Appl. No.: **804,176**
- [22] Filed: **Jun. 6, 1977**
- [51] Int. Cl. **D7-07**
- [52] U.S. Cl. **D7/79; D9/140;**
D30/6
- [58] Field of Search **D7/79, 76, 81, 78, 1,**
D7/16; D9/119, 118, 100, 131, 153, 140, 141;
D30/6

D. 200,969 4/1965 Wildgen D7/79

OTHER PUBLICATIONS

Housewares Review, Jul. 1965, p. 43, Flambeau Canisters shown in bottom middle.
Colonial Garden Kitchens, p. 57, #3565, General Store Candy Jar—middle right.

Primary Examiner—Winifred E. Herrmann
Attorney, Agent, or Firm—David Wolf

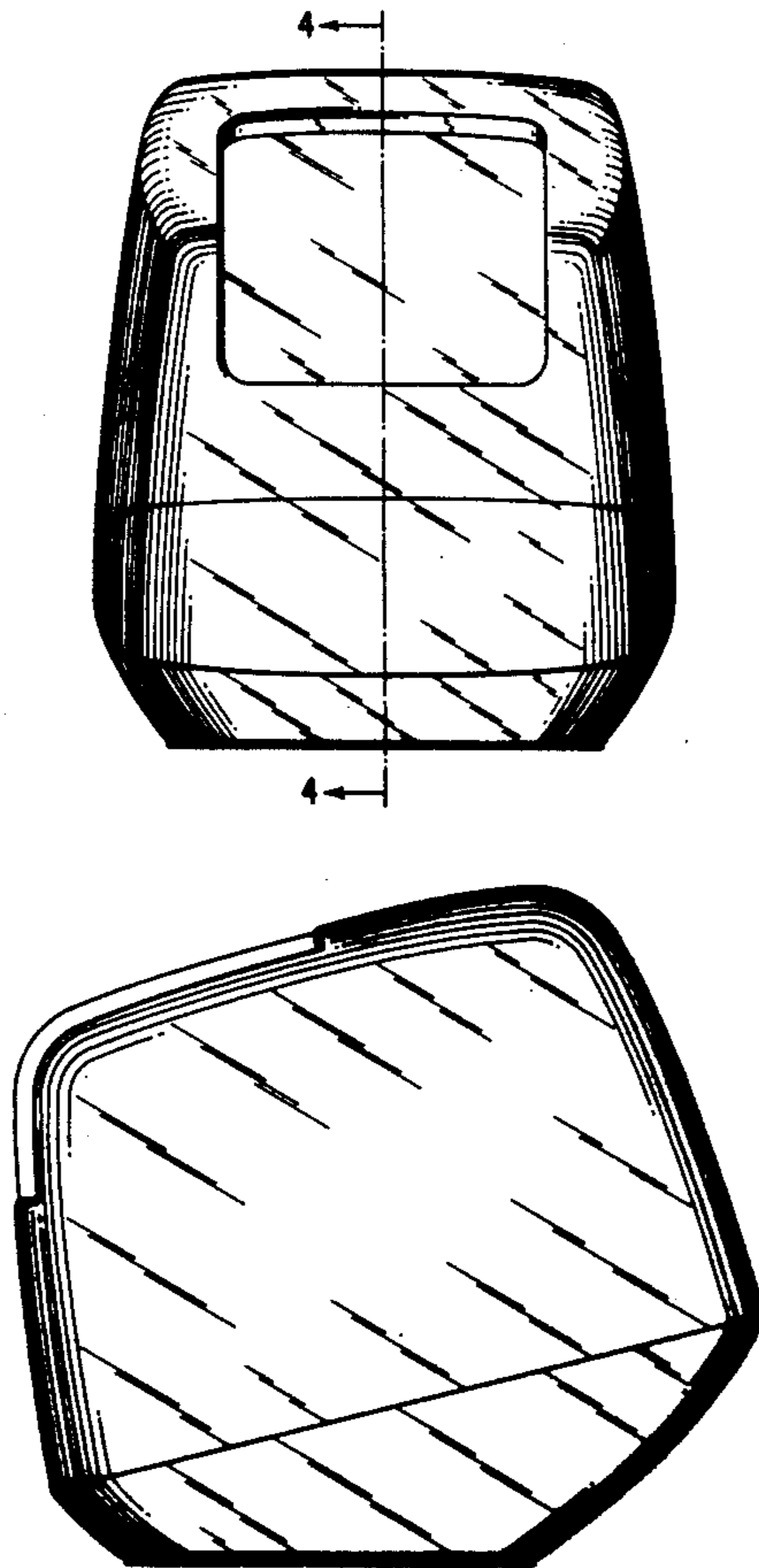
[57] **CLAIM**

The ornamental design for a candy jar, as shown and described.

DESCRIPTION

FIG. 1 is a top plan view of a candy jar showing my new design;
FIG. 2 is a right side view thereof;
FIG. 3 is a front view thereof; and
FIG. 4 is a cross-sectional view thereof along lines 4—4 of FIG. 3.

- [56] **References Cited**
- U.S. PATENT DOCUMENTS**
- D. 6,235 11/1872 Britton D7/79
- D. 186,914 12/1959 Teague, Jr. et al. D7/78



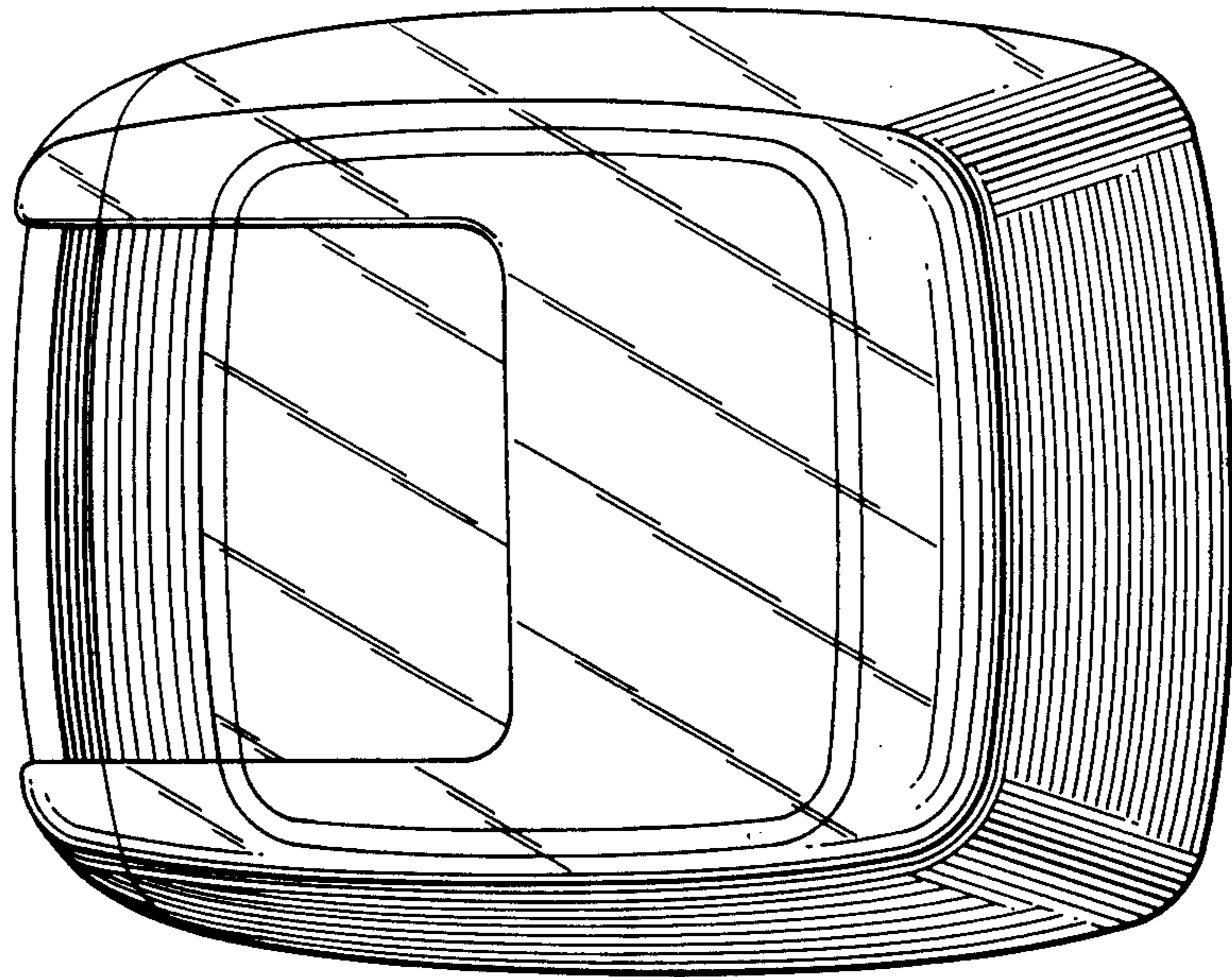


FIG. 1

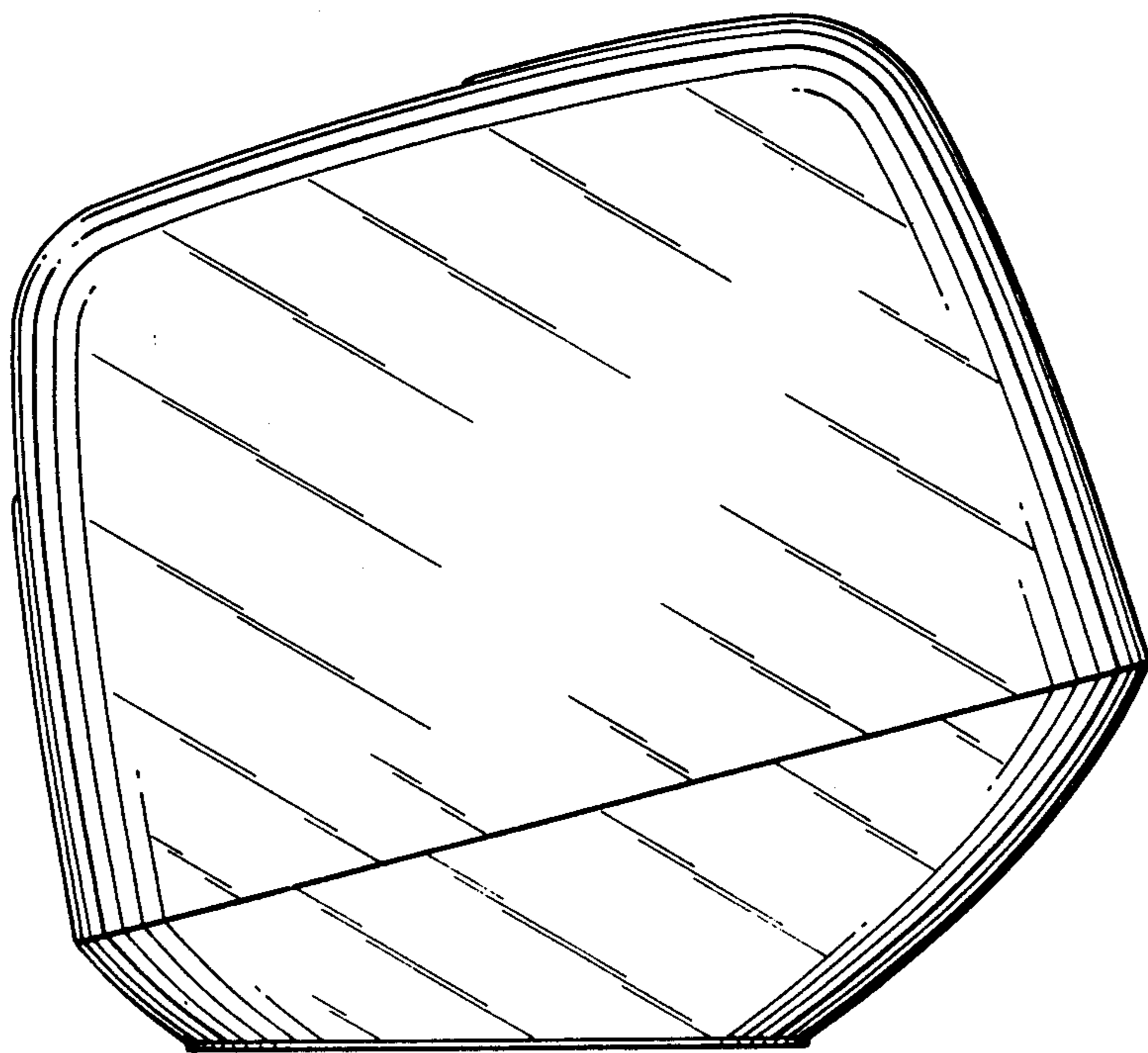


FIG. 2

FIG. 3

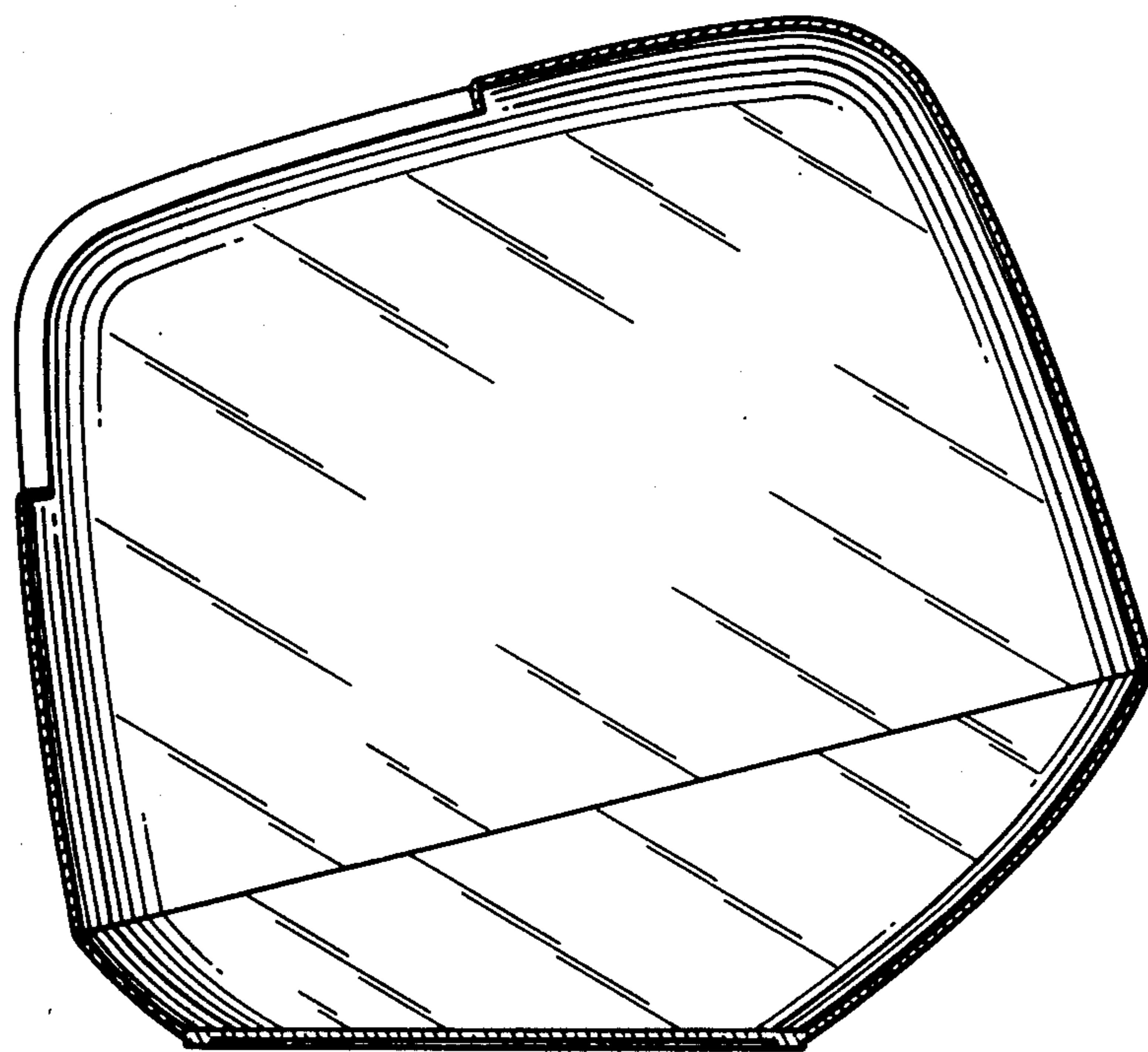
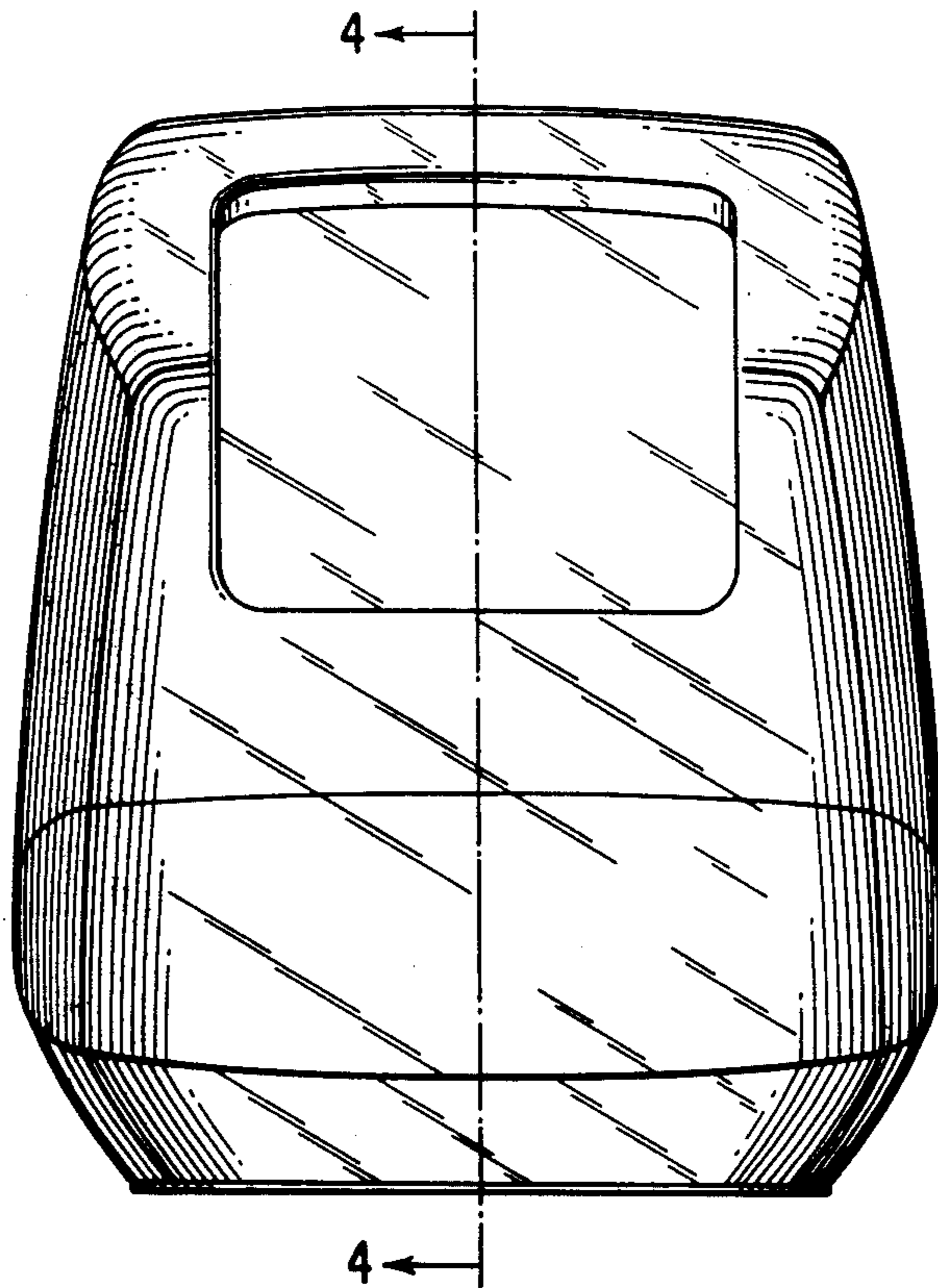


FIG. 4