

[54] **GUN RACK**

[76] **Inventor:** Kevin H. Arnold, 2011 Basston,
Creve Coeur, Mo. 63141

[**] **Term:** 14 Years

[21] **Appl. No.:** 885,462

[22] **Filed:** Mar. 10, 1978

[51] **Int. Cl.** D6-04

[52] **U.S. Cl.** D6/157; D6/125;
D6/188

[58] **Field of Search** D6/85, 114, 157, 181,
D6/184, 185, 188, 125; 211/13, 40, 60 R, 60
SK, 64, 75, 87, 88, 90

[56] **References Cited**

U.S. PATENT DOCUMENTS

638,785	12/1899	Whittlesey	211/40
3,361,265	1/1968	Wernimont	211/64
3,590,752	7/1971	DePew	211/60 R
3,964,613	6/1976	Anderson, Jr.	211/64

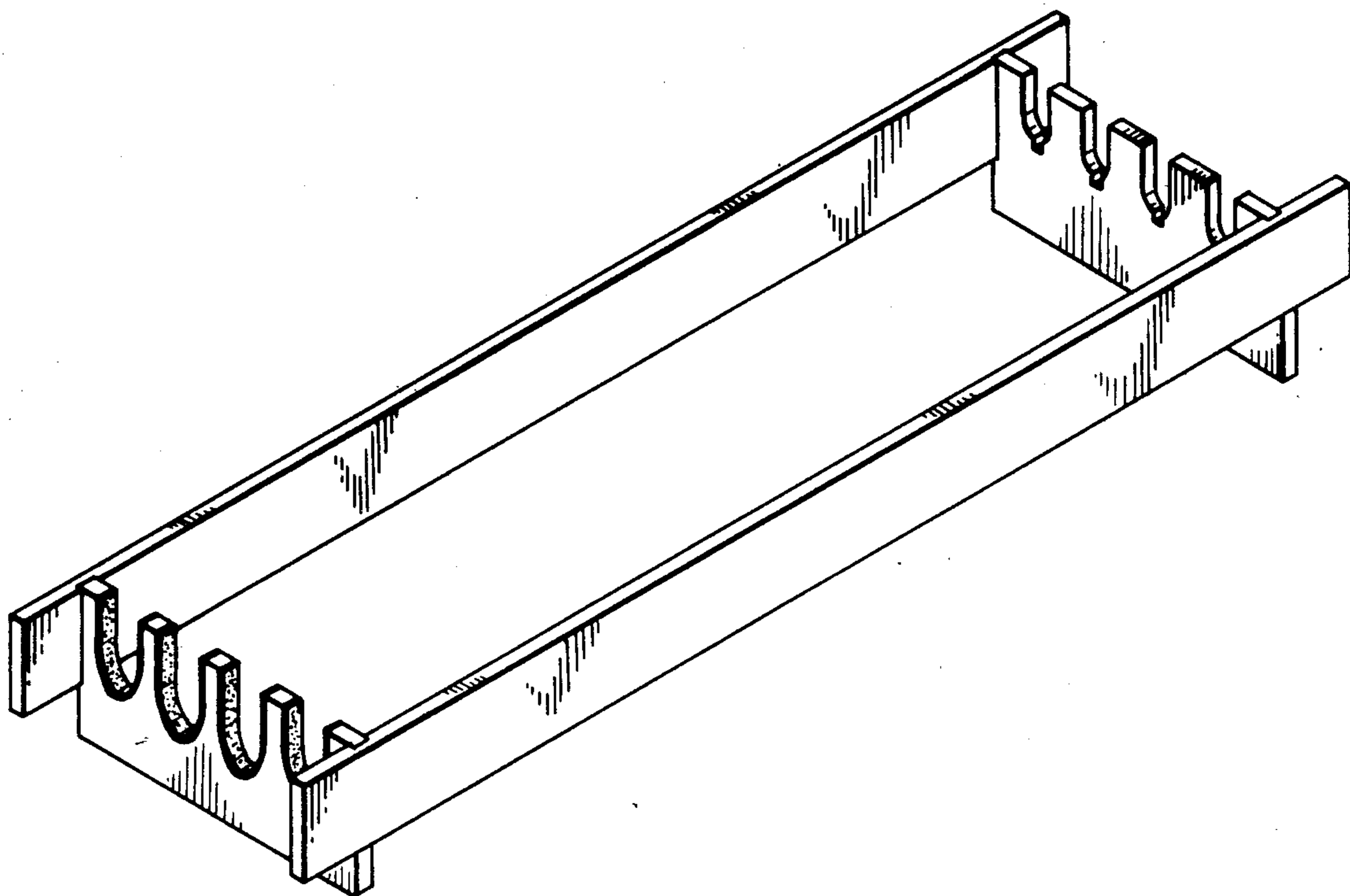
Primary Examiner—Wallace R. Burke
Assistant Examiner—B. J. Bullock
Attorney, Agent, or Firm—Edmund Rogers

[57] **CLAIM**

The ornamental design for a gun rack, as shown and described.

DESCRIPTION

The sole FIGURE is a perspective view of a gun rack showing my new design, the rear being a mirror image of the front and the sides of the ends not shown correspond to the sides shown.



U.S. Patent

Jun. 5, 1979

Des. 252,001

