

[54] **BALANCING FIGURE**

[76] **Inventor:** **Eli P. Miera**, P.O. Box 172, Taos, N. Mex. 87103

[\*\*] **Term:** **14 Years**

[21] **Appl. No.:** **779,282**

[22] **Filed:** **Mar. 21, 1977**

[51] **Int. Cl.** ..... **D21-01**

[52] **U.S. Cl.** ..... **D21/102; D11/160**

[58] **Field of Search** ..... **D34/15 AD, 15 N; D11/53, 83, 101, 135, 136, 160; 428/13, 15, 16; 46/131, 155**

[56] **References Cited**

**U.S. PATENT DOCUMENTS**

D. 94,944 3/1935 Bissell ..... D34/15 AD  
2,551,668 5/1951 Goosman ..... D34/15 N

**FOREIGN PATENT DOCUMENTS**

1058126 3/1954 France ..... 46/131

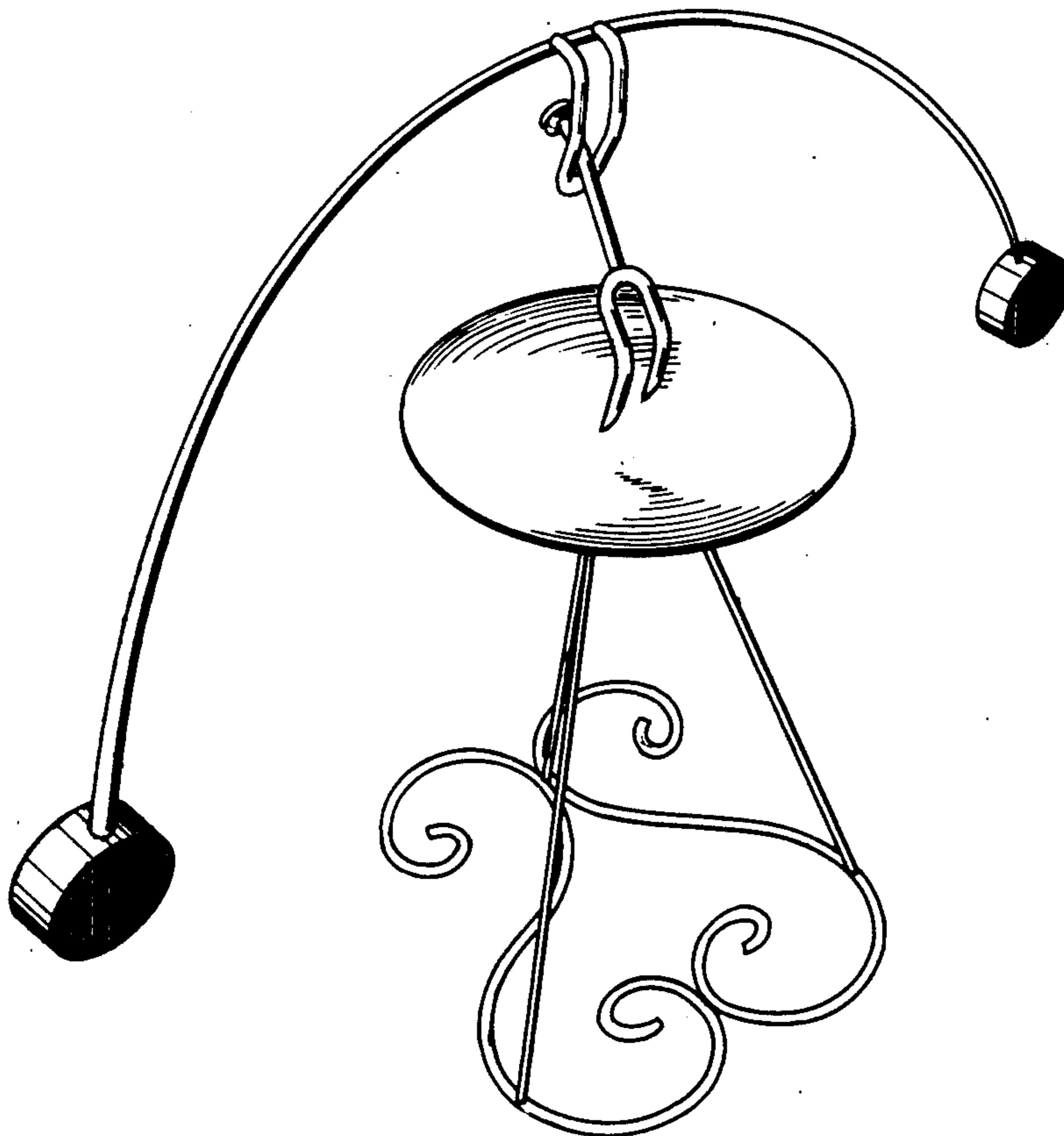
*Primary Examiner*—Louis S. Zarfus  
*Attorney, Agent, or Firm*—John E. Reilly

[57] **CLAIM**

The ornamental design for balancing figure, as shown and described.

**DESCRIPTION**

FIG. 1 is a front perspective view of a balancing figure showing my new design;  
FIG. 2 is a front elevational view;  
FIG. 3 is a top plan view;  
FIG. 4 is a bottom plan view;  
FIG. 5 is a rear elevational view;  
FIG. 6 is a right side elevational view; and  
FIG. 7 is a left side elevational view.



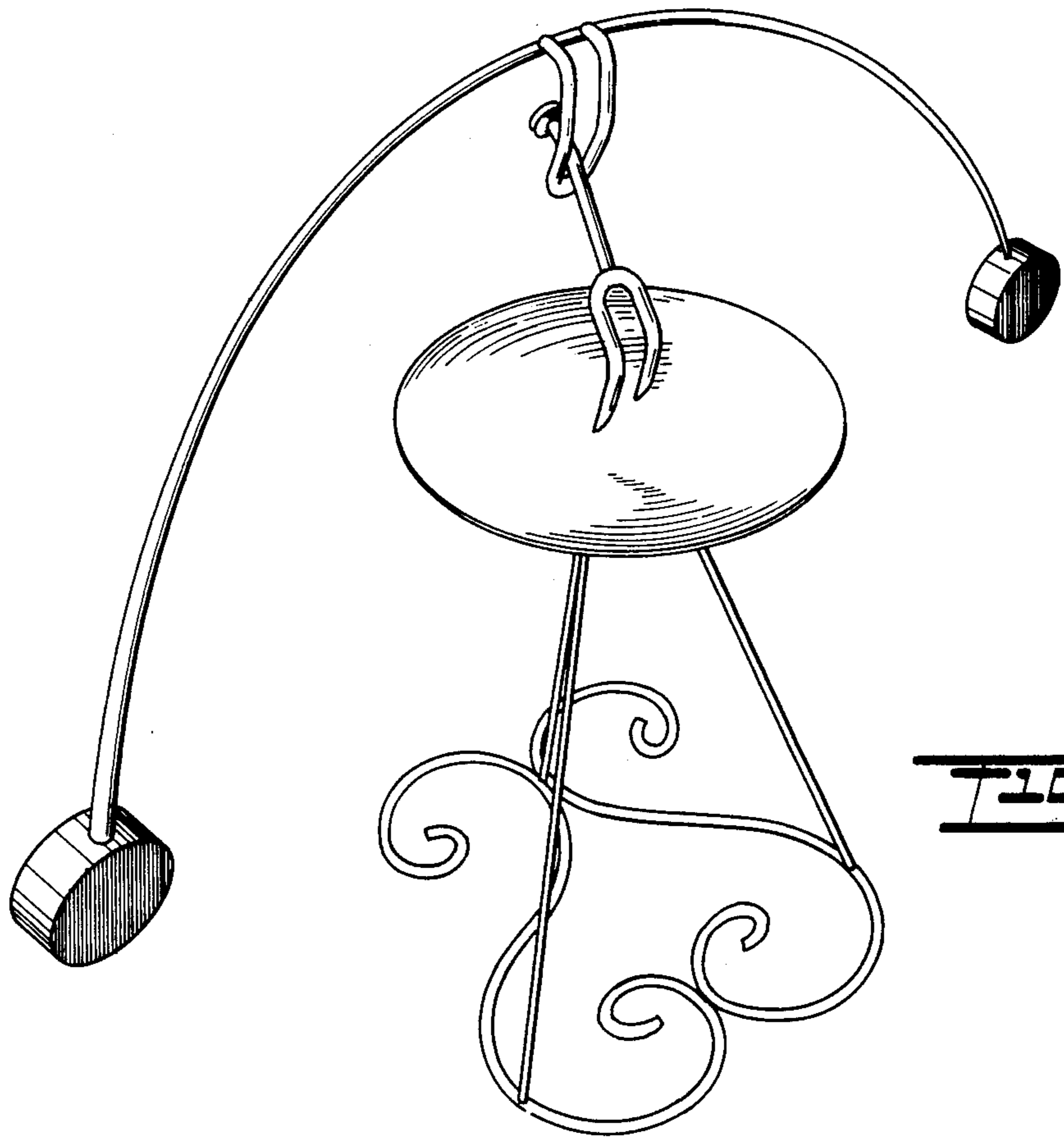


FIG. 1

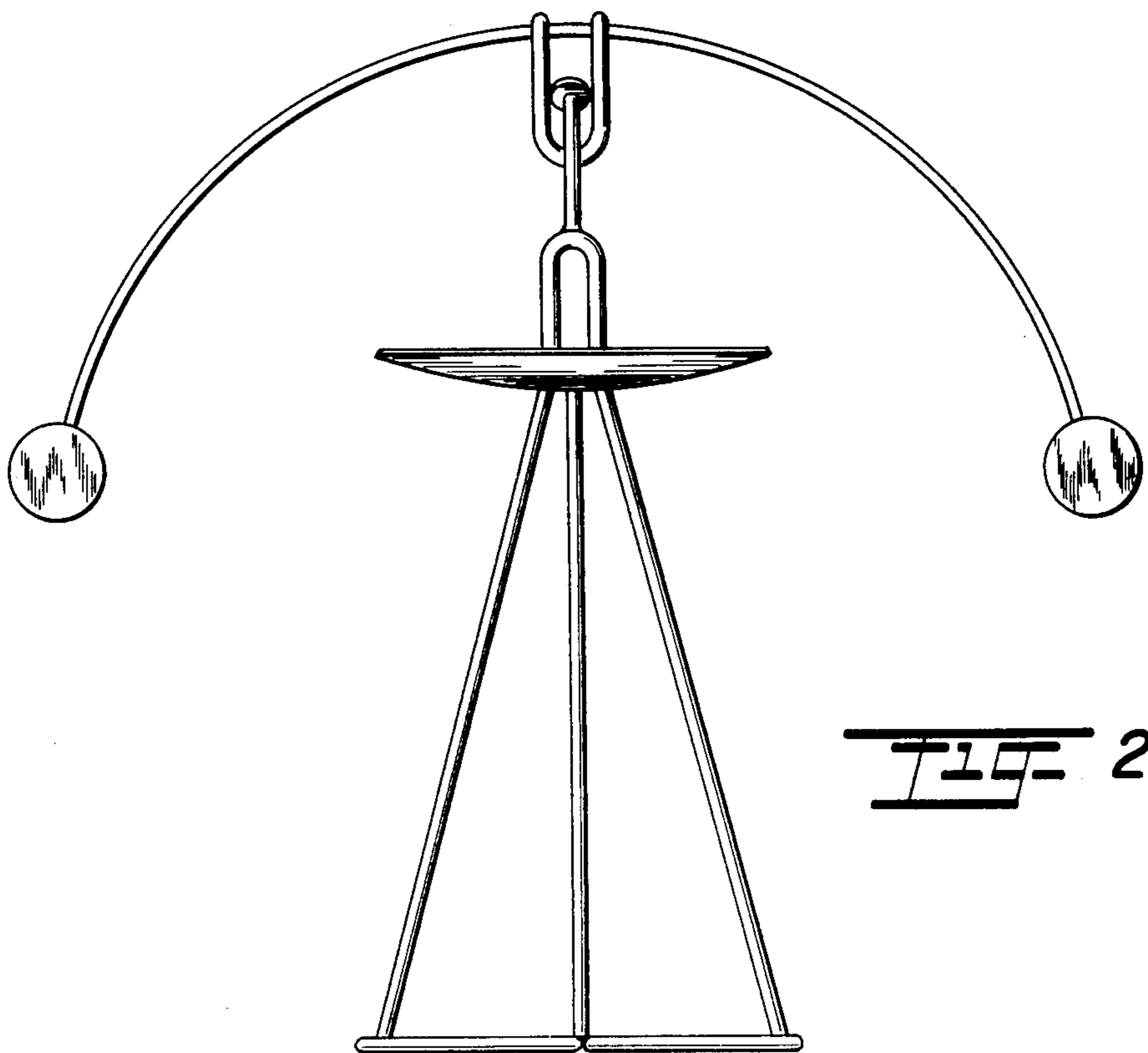


FIG. 2

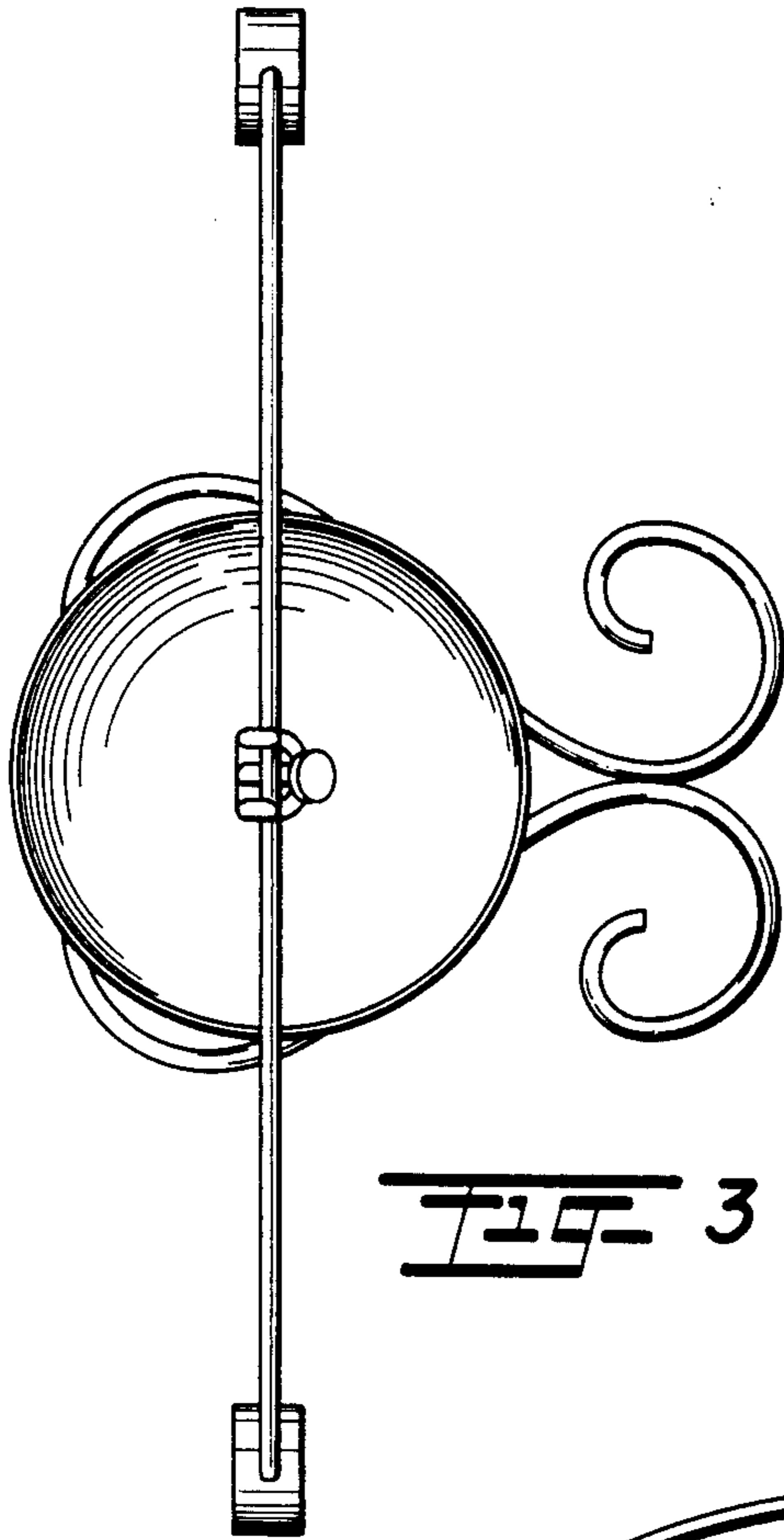


FIG. 3

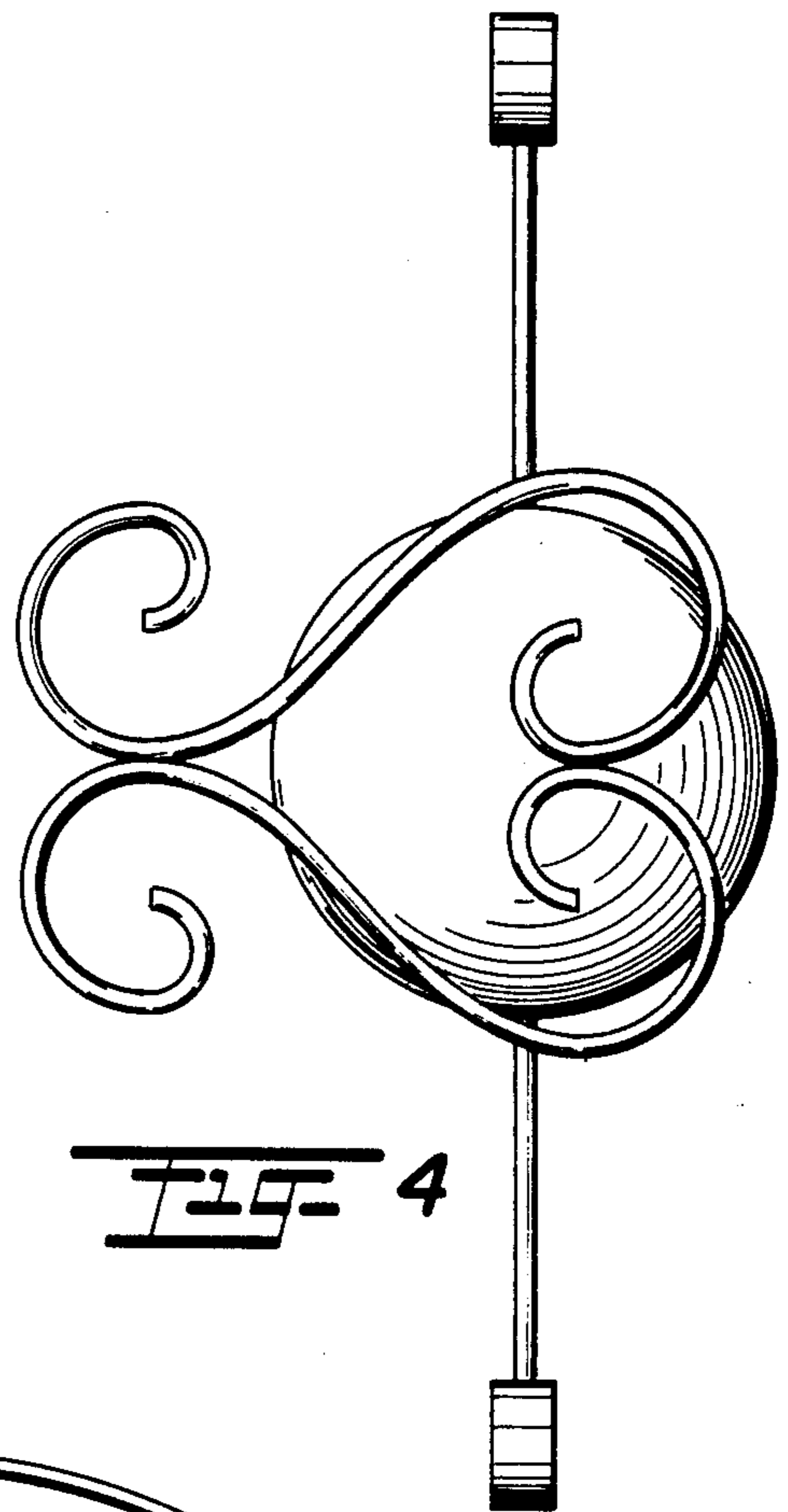


FIG. 4

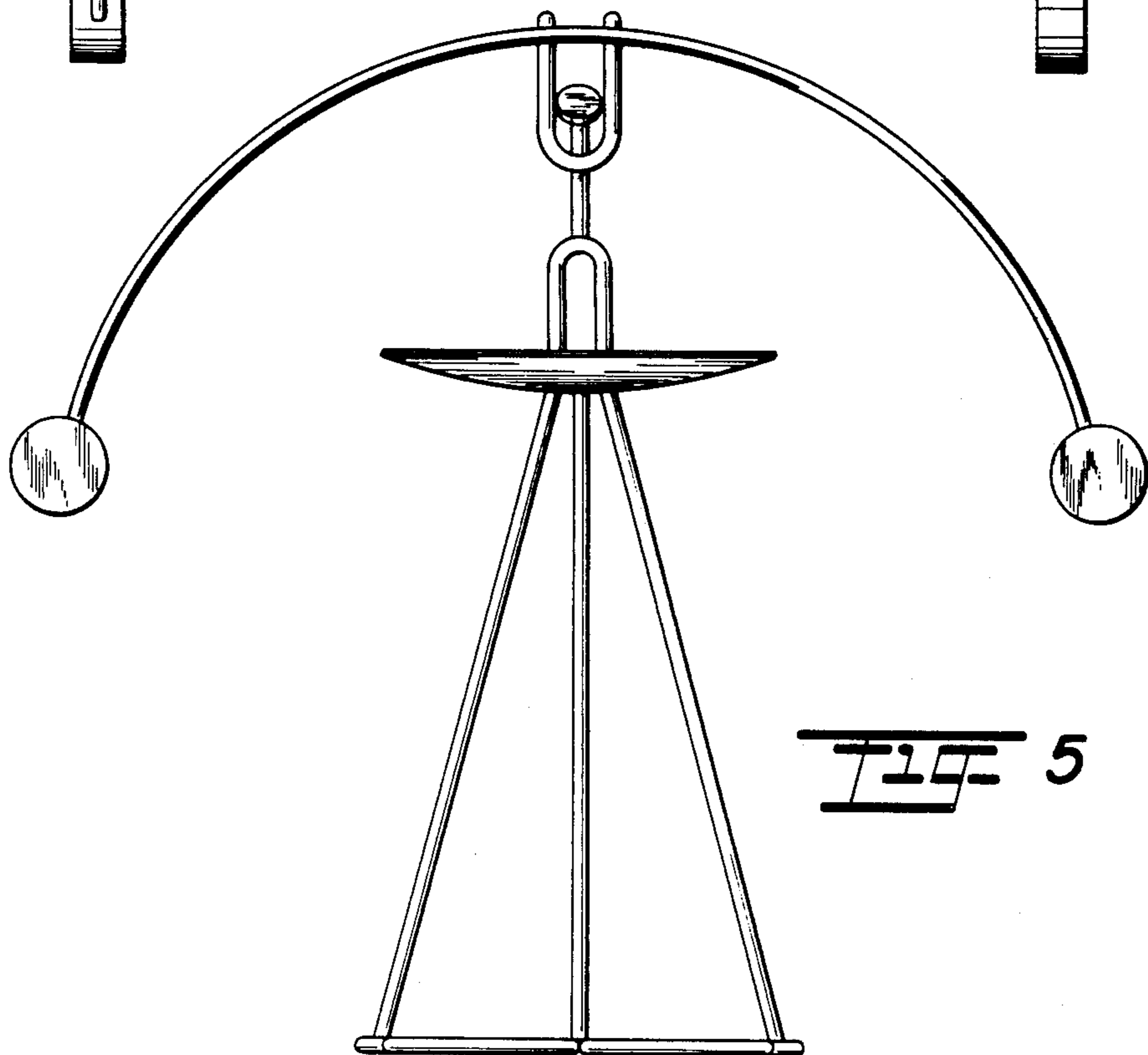
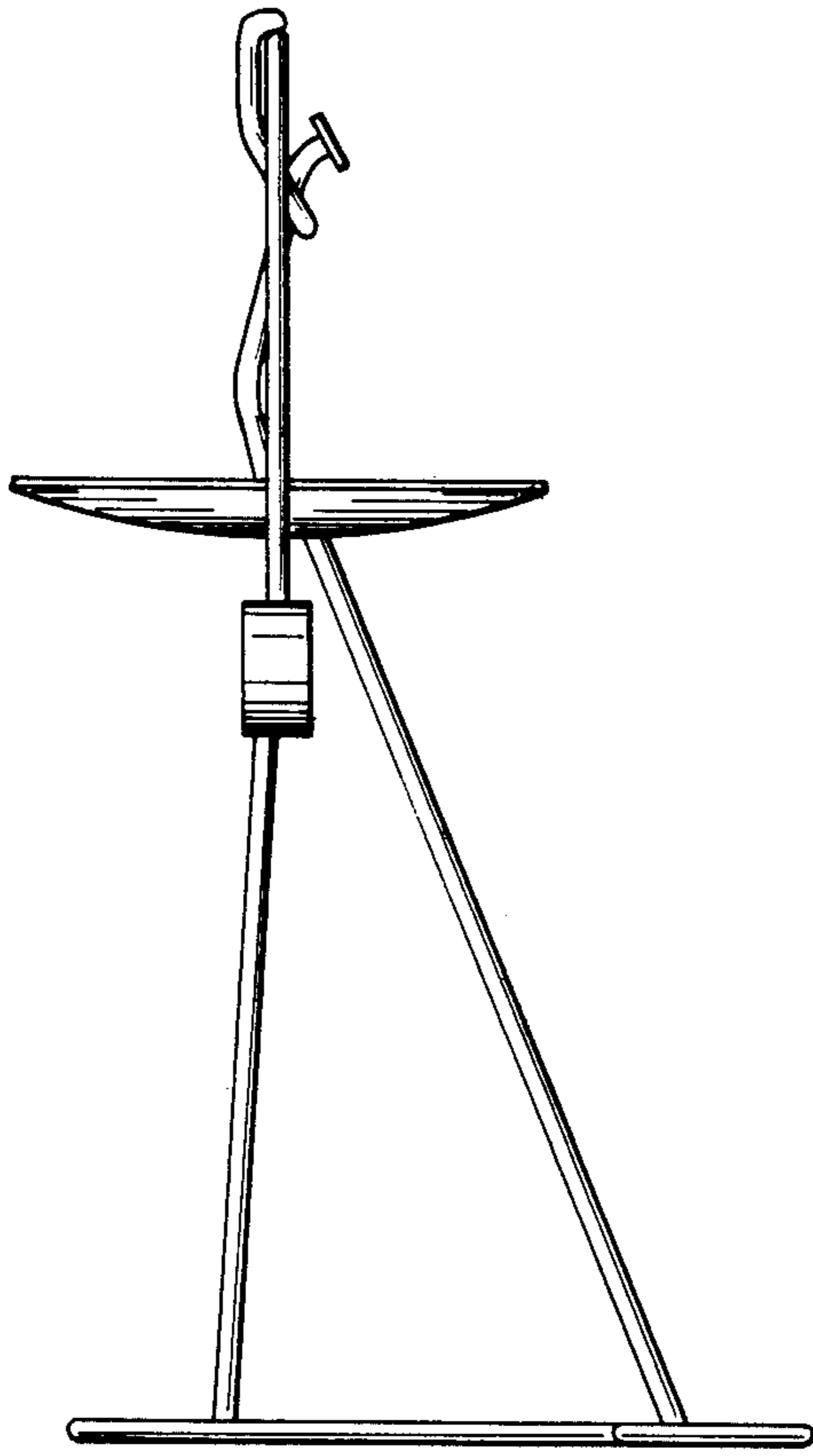
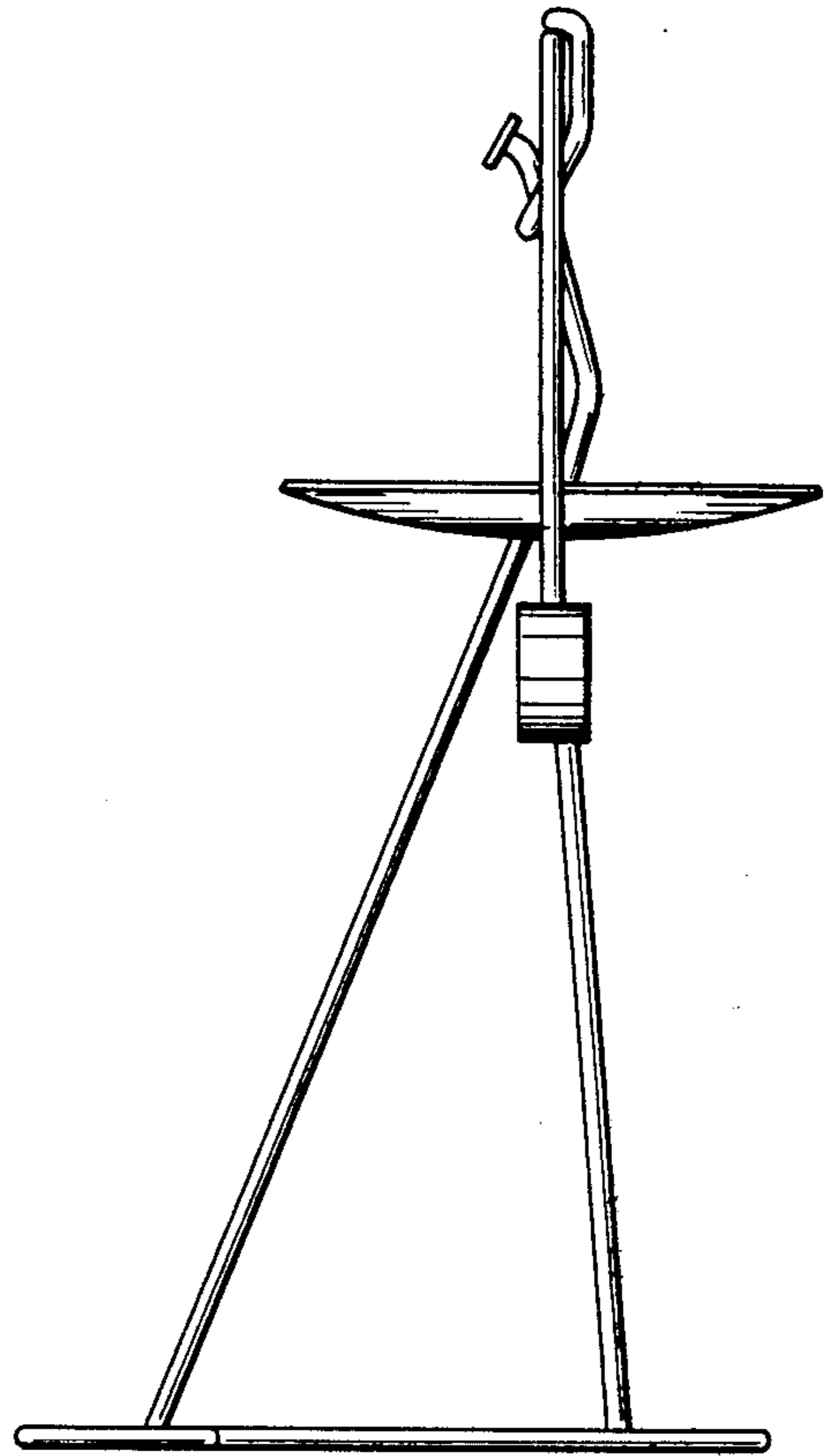


FIG. 5



**FIG. 6**



**FIG. 7**