

[54] **SHOWER HEAD**

[75] Inventor: **Albert Dunkin**, Norwalk, Conn.

[73] Assignees: **Whedon-Brome Corp.; Vanderburgh Enterprises, Inc.**

[**] Term: **14 Years**

[21] Appl. No.: **805,633**

[22] Filed: **Jun. 13, 1977**

[51] Int. Cl. **D23-01**

[52] U.S. Cl. **D23/35**

[58] Field of Search **D23/34-40;**
239/587, 588, 500, 287

[56] **References Cited**

U.S. PATENT DOCUMENTS

- D. 153,490 4/1949 Beebee D23/35
- D. 164,822 10/1951 Russell D23/35

- D. 221,756 9/1971 Benjamin D23/35
- 2,935,265 5/1960 Richter D23/35 X
- 3,031,147 4/1962 Goodrie 239/428.5
- 3,224,793 12/1965 Benjamin 239/287 X
- 3,623,670 11/1971 Wakeman et al. 239/587 X
- 3,831,860 8/1974 Gullaksen 239/500

Primary Examiner—James R. Largen
Attorney, Agent, or Firm—John M. Prutzman

[57] **CLAIM**

The ornamental design of a shower head, substantially as shown.

DESCRIPTION

FIG. 1 is a side elevational view of a shower head showing my new design;
FIG. 2 is a bottom plan view thereof;
FIG. 3 is a top plan view thereon; and
FIG. 4 is an isometric view taken from the bottom thereof, showing the shower head in a position different from that shown in FIG. 1.

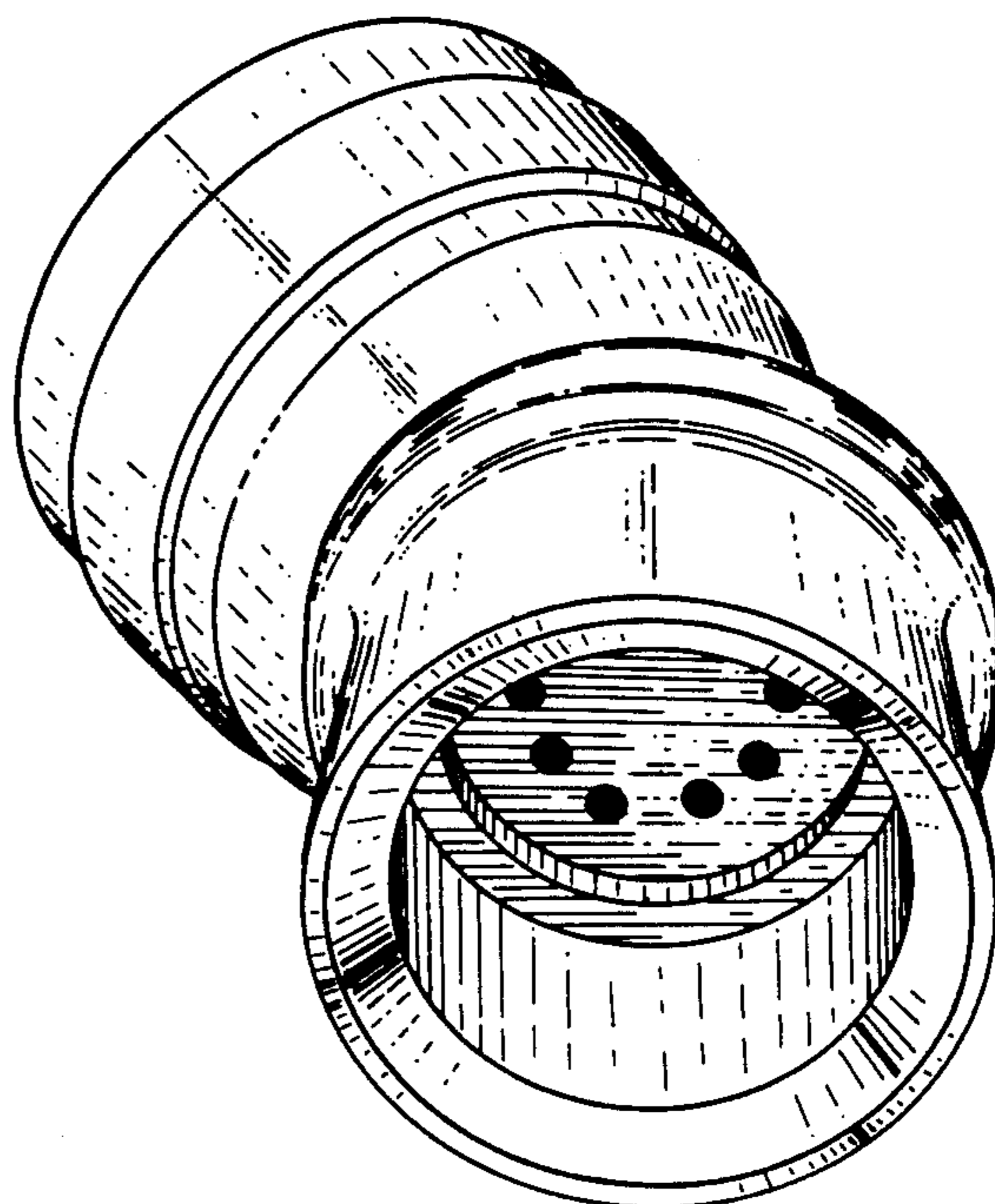
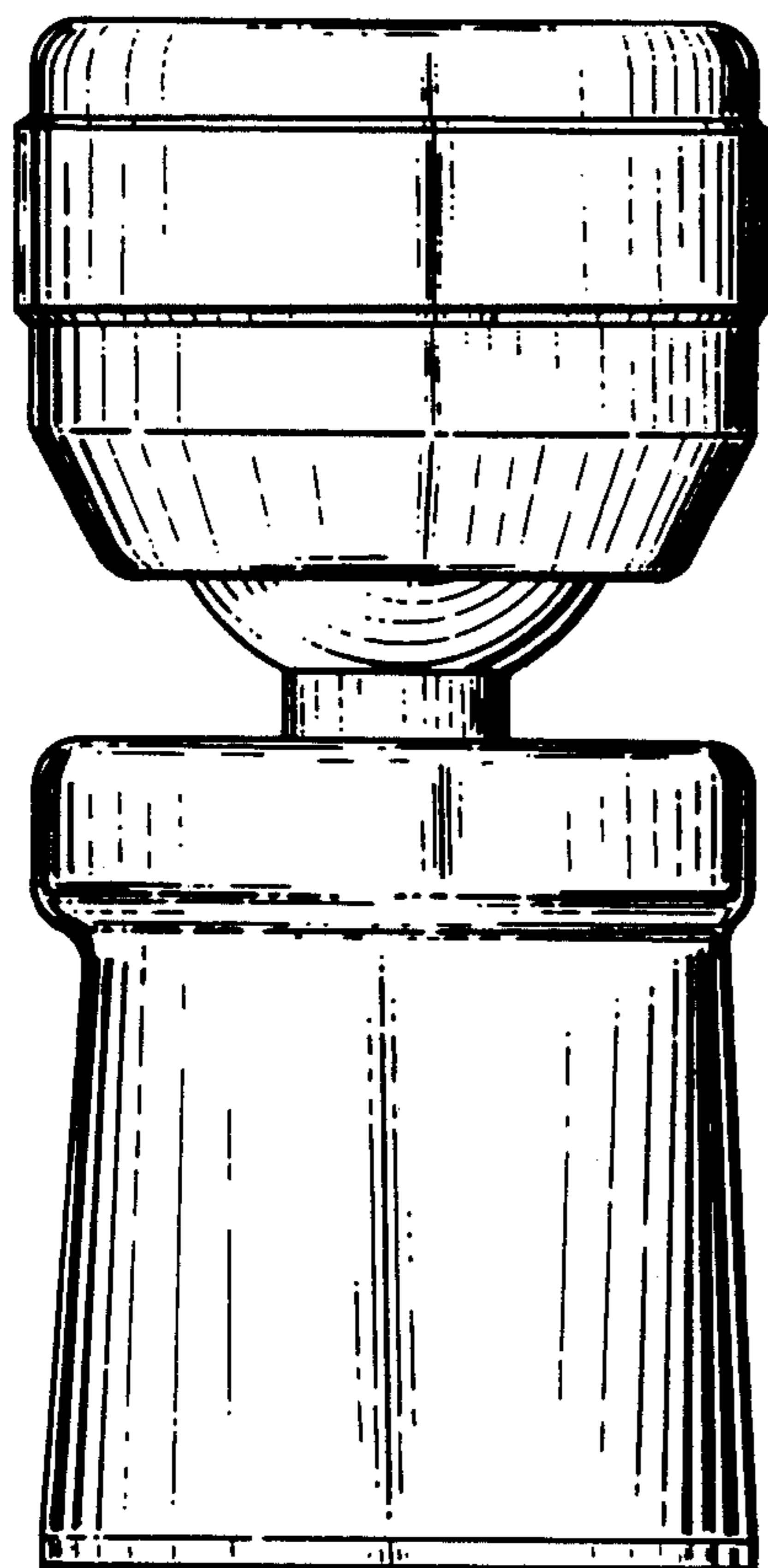


FIG. 1

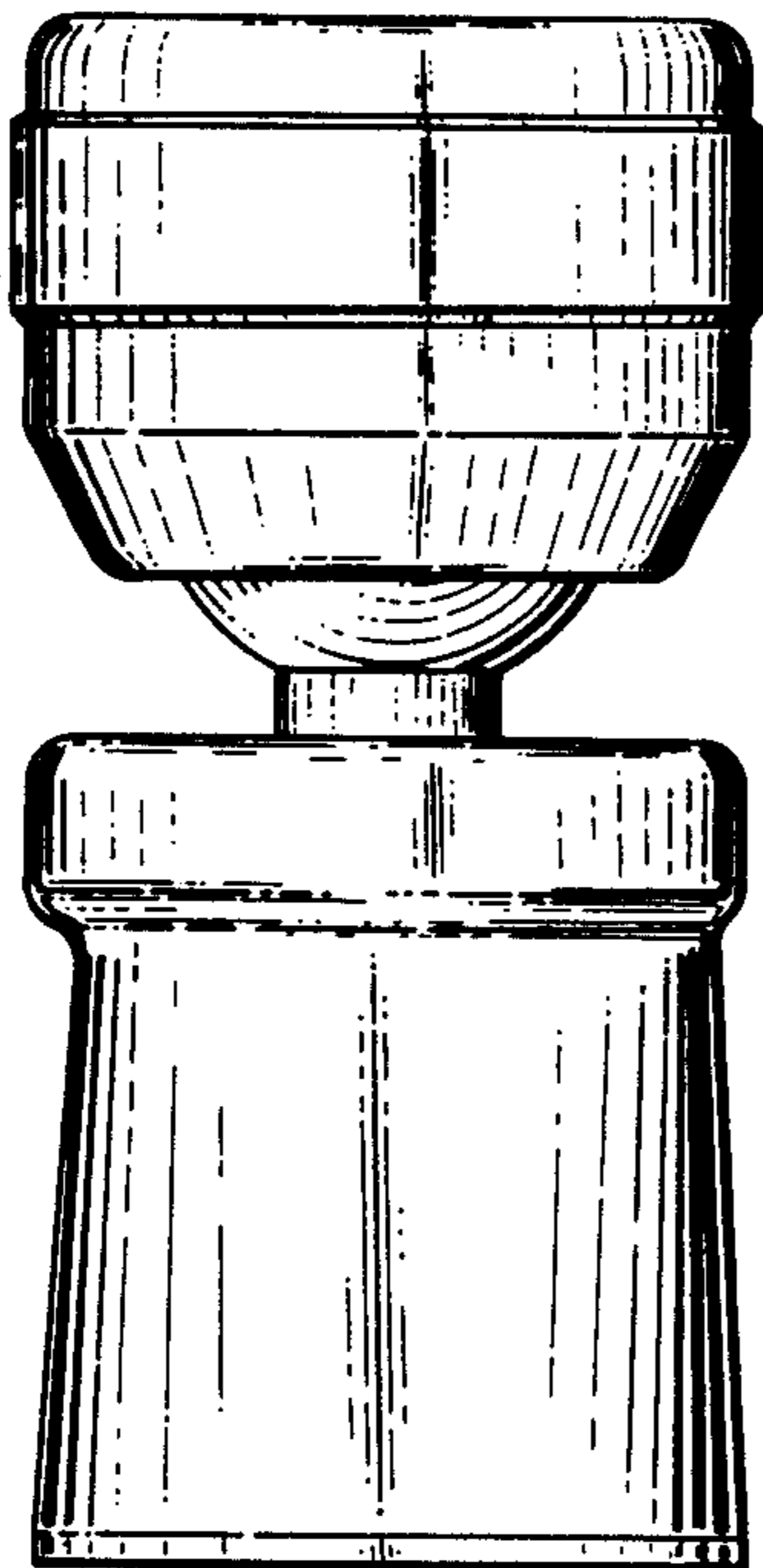


FIG. 2

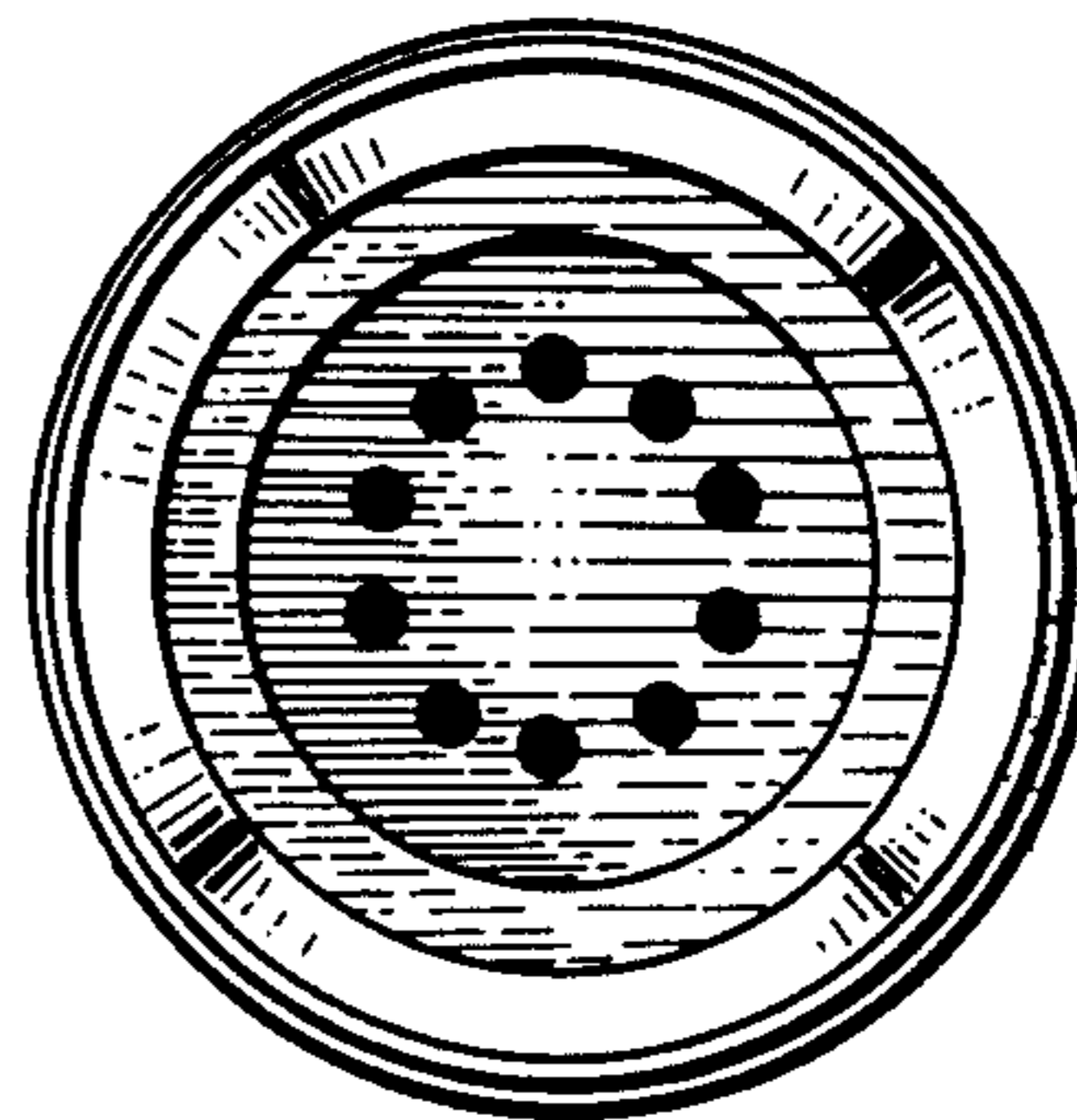


FIG. 3

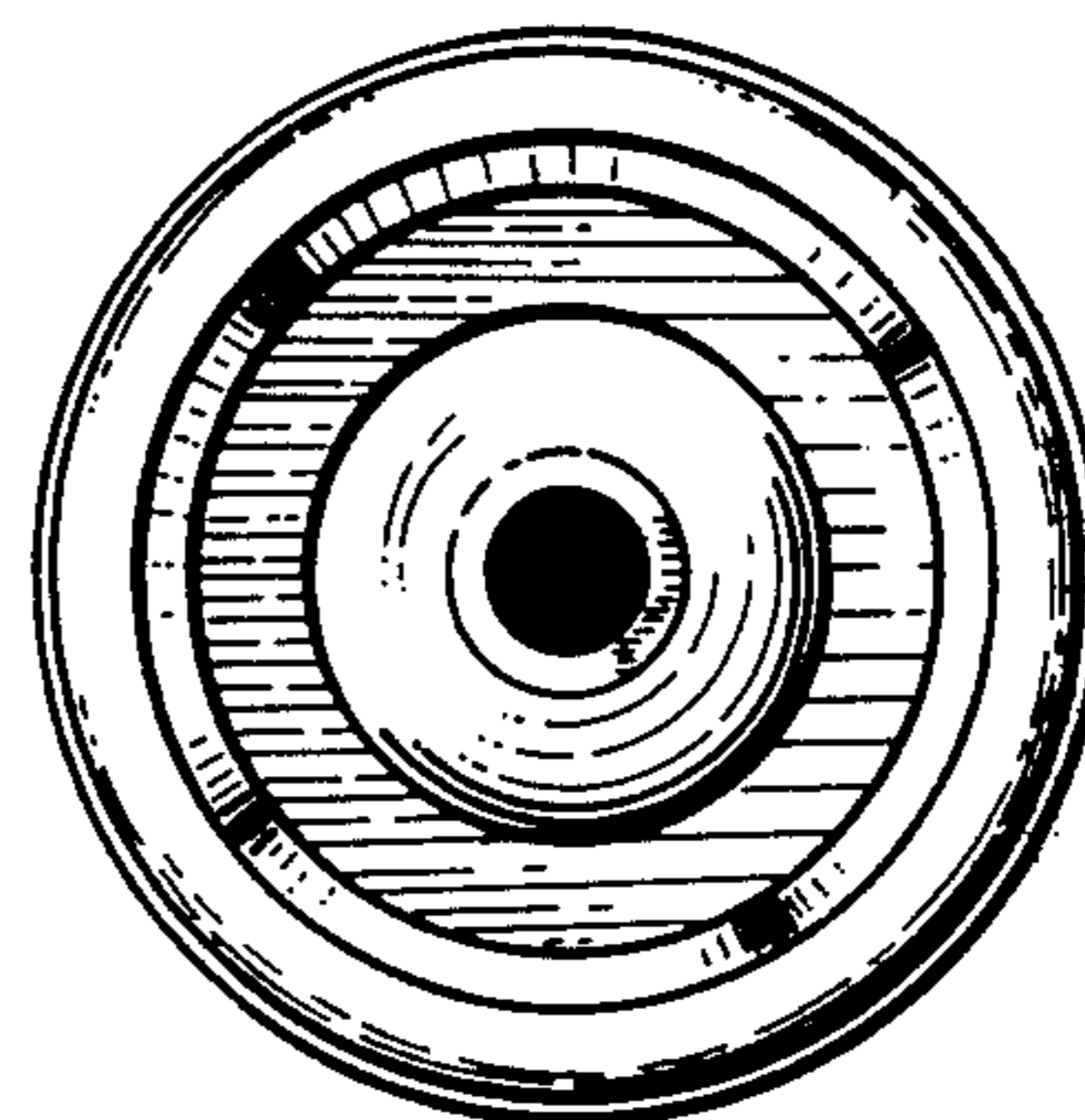


FIG. 4

