

[54] FISHING REEL

[75] Inventors: Etsuo Hiraishi, Hiroshima; Takeshi Shohoji, Fukuyama, both of Japan

[73] Assignee: Ryobi Ltd., Fuchu, Japan

[\*\*] Term: 14 Years

[21] Appl. No.: 818,033

[22] Filed: Jul. 22, 1977

[30] Foreign Application Priority Data

Feb. 1, 1977 [JP] Japan ..... 52/3207

[51] Int. Cl. .... D22-05

[52] U.S. Cl. .... D22/25

[58] Field of Search ..... D22/25; 43/24, 23, 18 R, 43/20, 22; 242/84.21 A, 84.1 R

[56]

References Cited

U.S. PATENT DOCUMENTS

D. 223,605	5/1972	Endo et al. ....	D22/25
D. 230,591	3/1974	Underwood .....	D22/25
D. 235,014	4/1975	Miyakawa et al. ....	D22/25
D. 245,784	9/1977	Okada .....	D22/25
3,296,732	1/1967	Magnus .....	D22/25 X

Primary Examiner—A. Hugo Word  
Attorney, Agent, or Firm—Richard C. Sughrue

[57]

CLAIM

The ornamental design for a fishing reel, as shown.

DESCRIPTION

FIG. 1 is a front view of a fishing reel showing our new design;

FIG. 2 is a rear view;

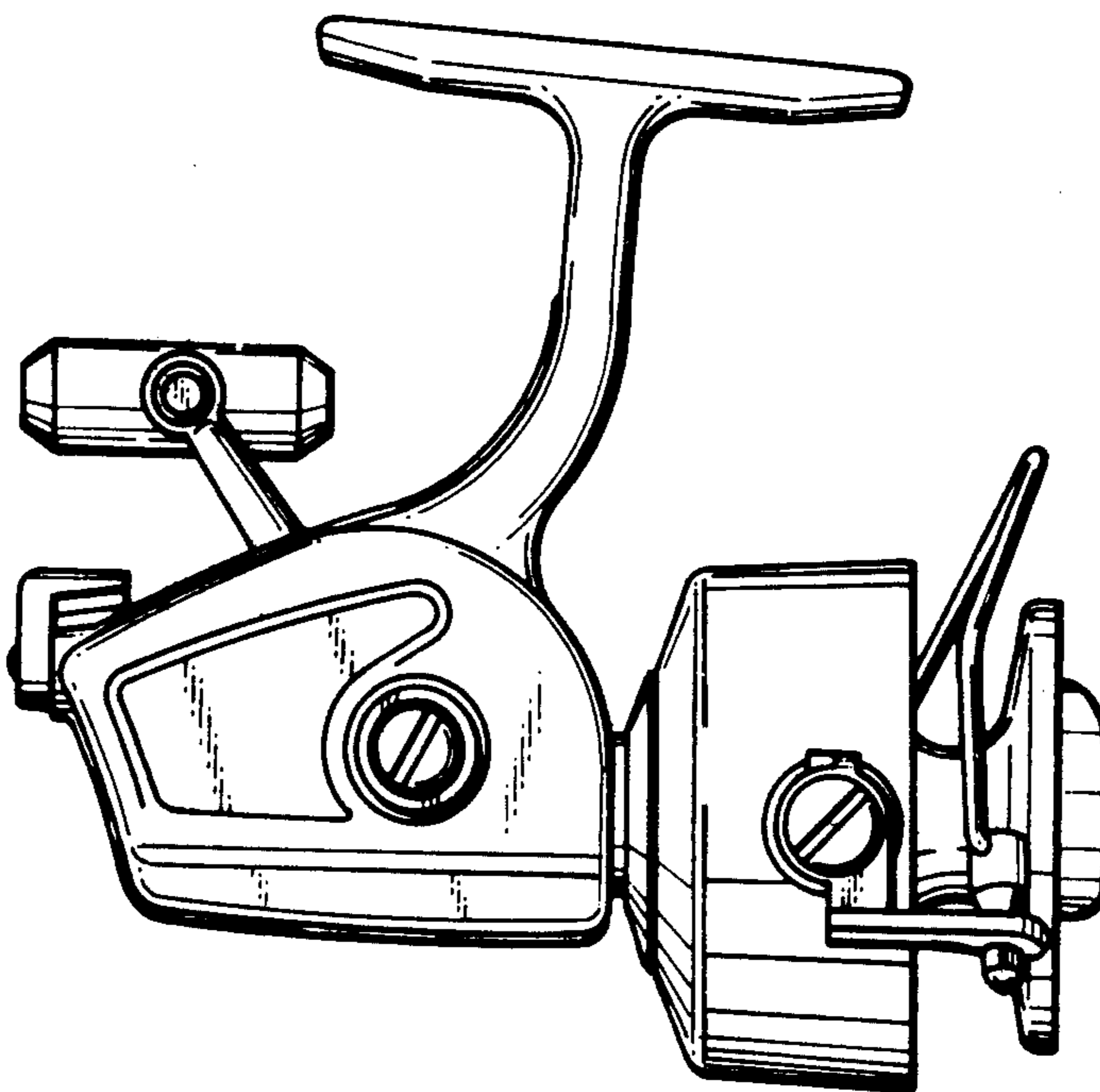
FIG. 3 is a top plan view;

FIG. 4 is a bottom plan view;

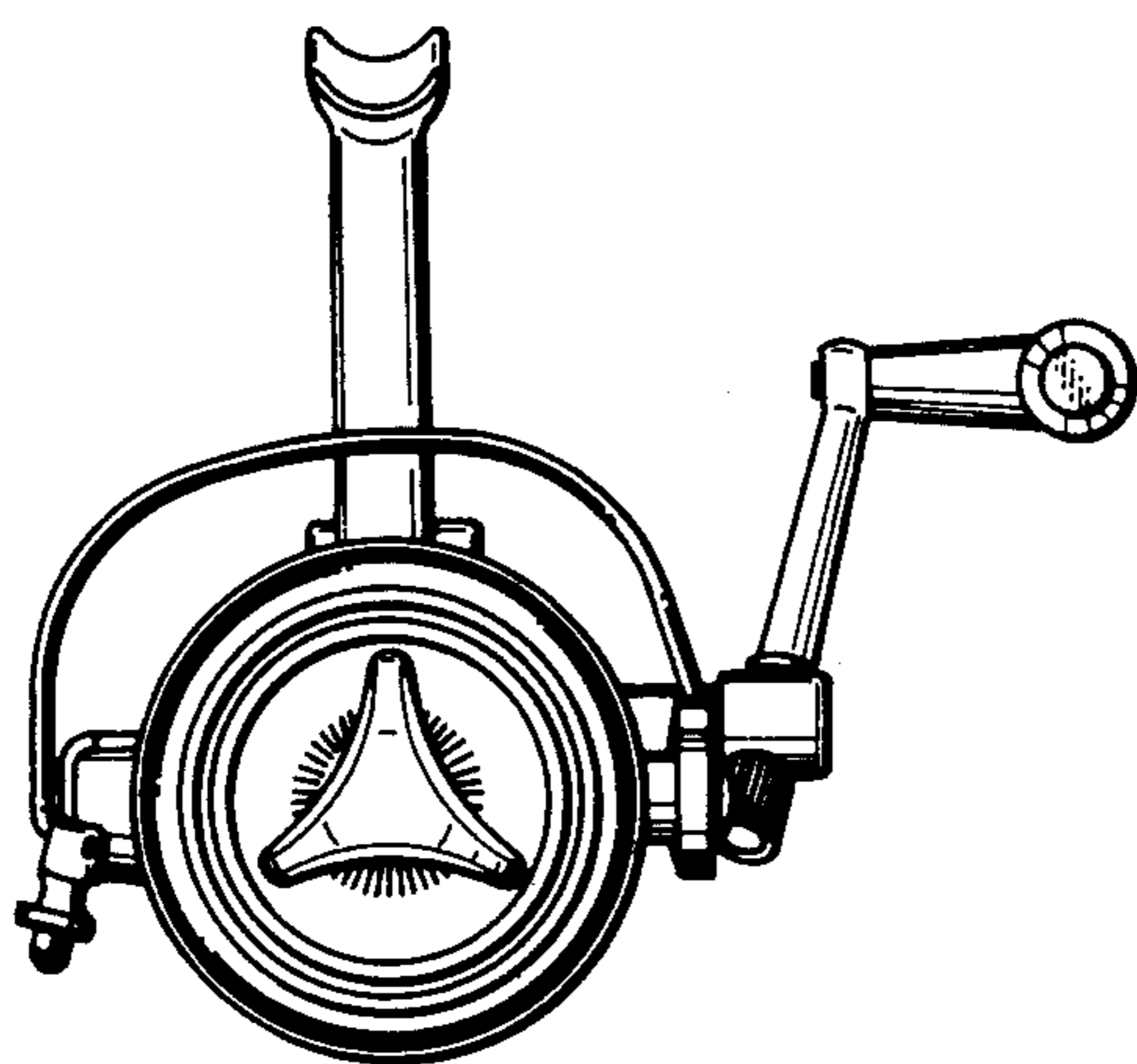
FIG. 5 is a left side view;

FIG. 6 is a right side view; and

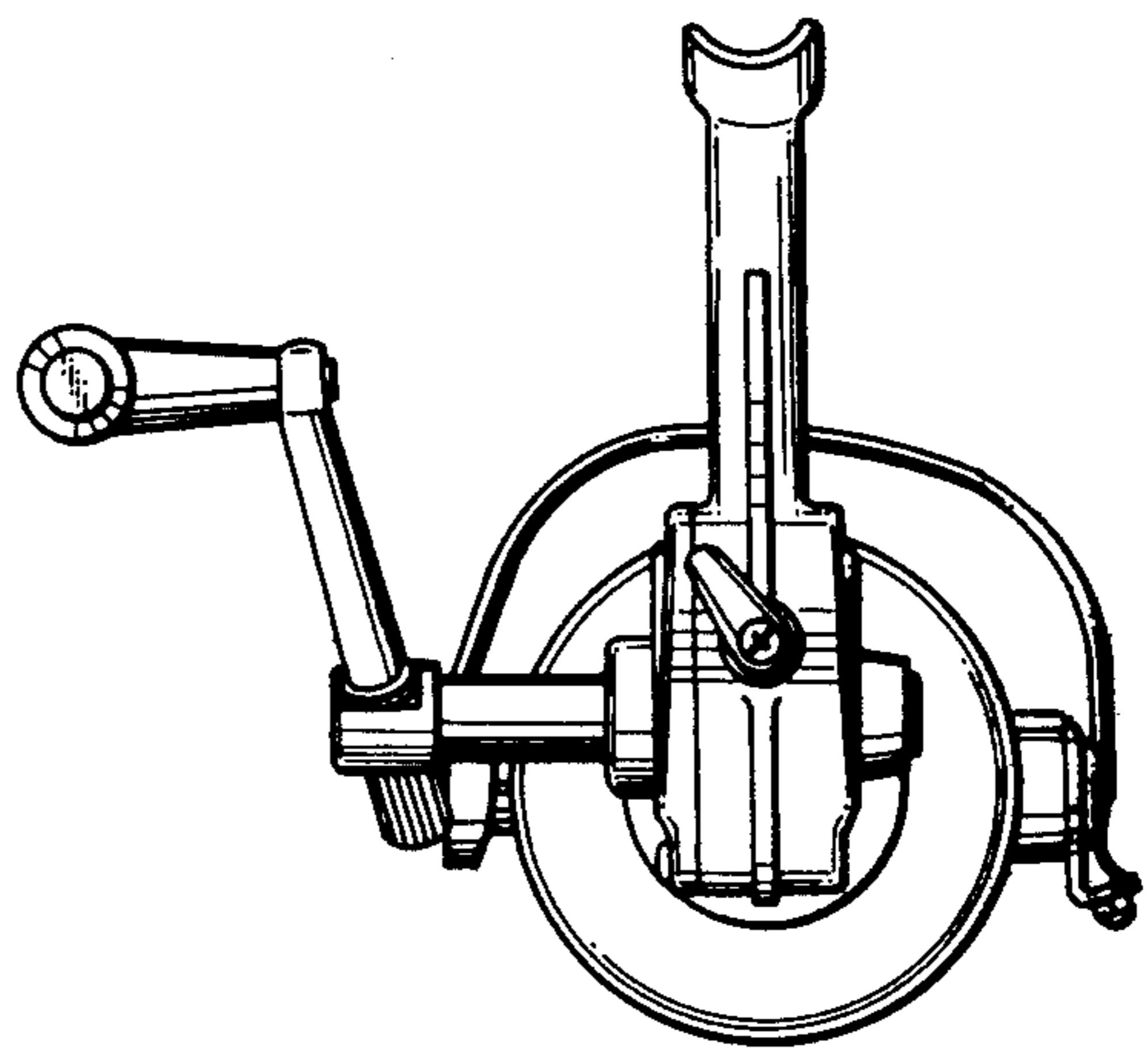
FIG. 7 is a front and right side perspective view thereof.



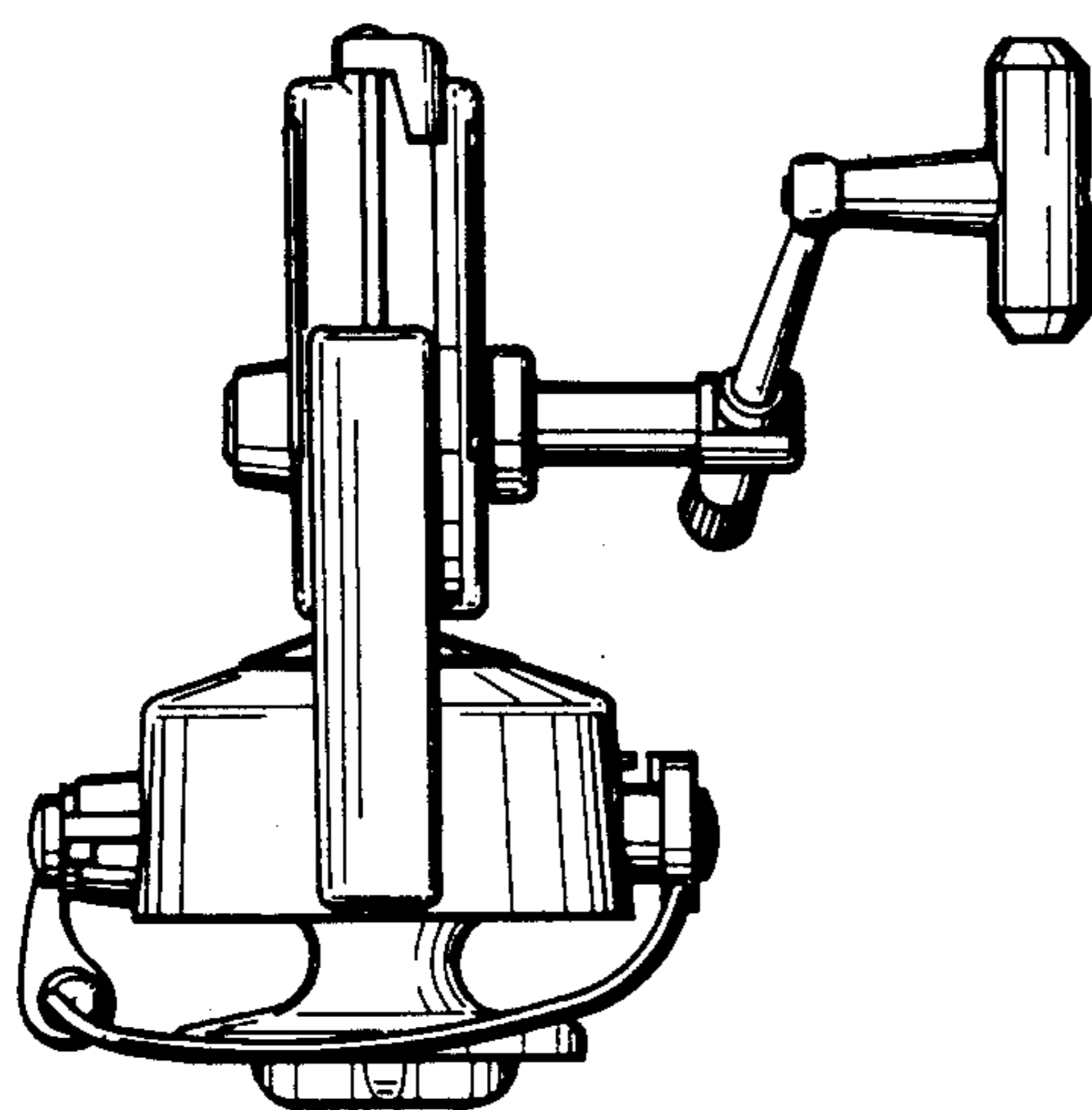
*Fig. 1*



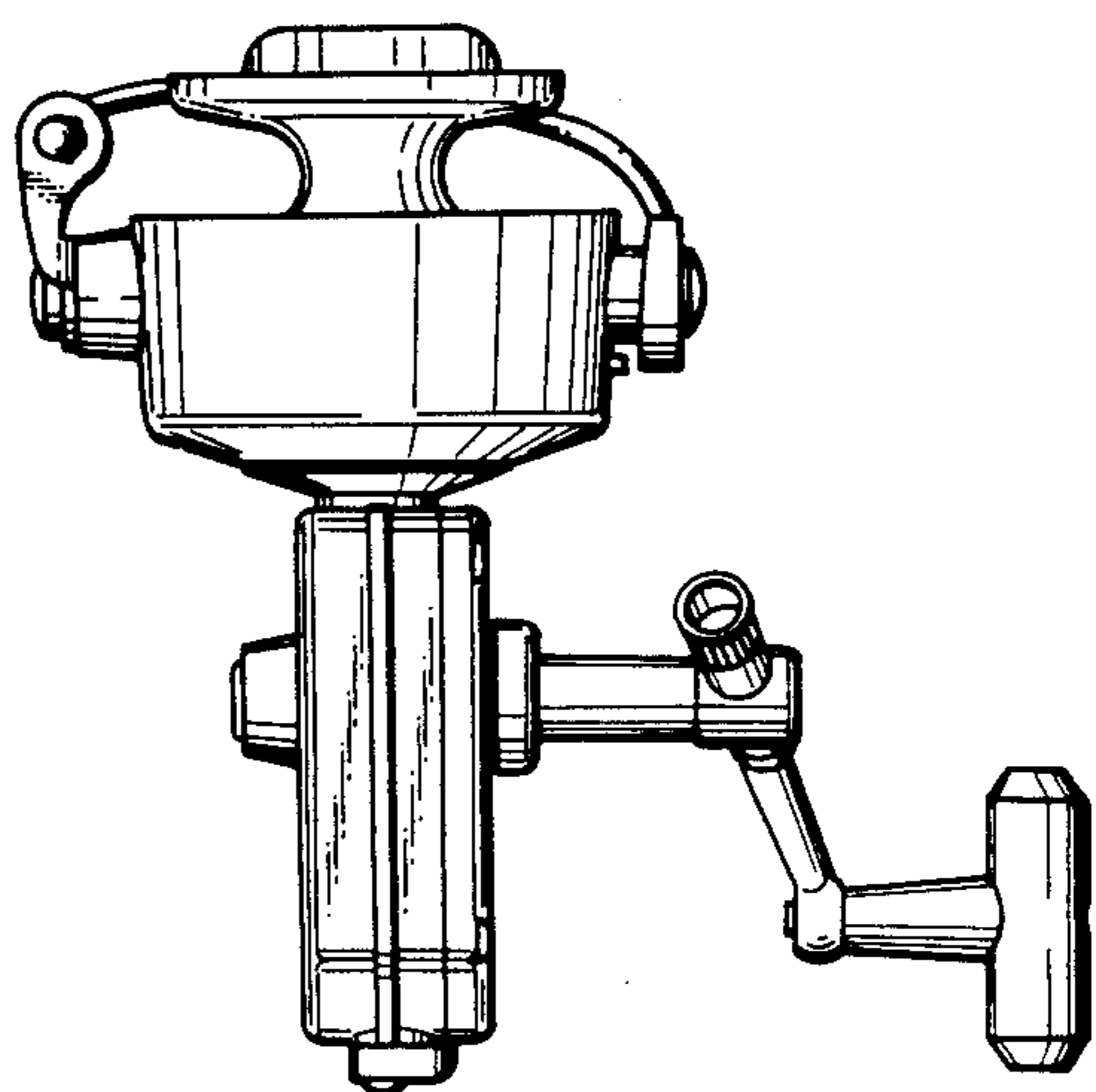
*Fig. 2*

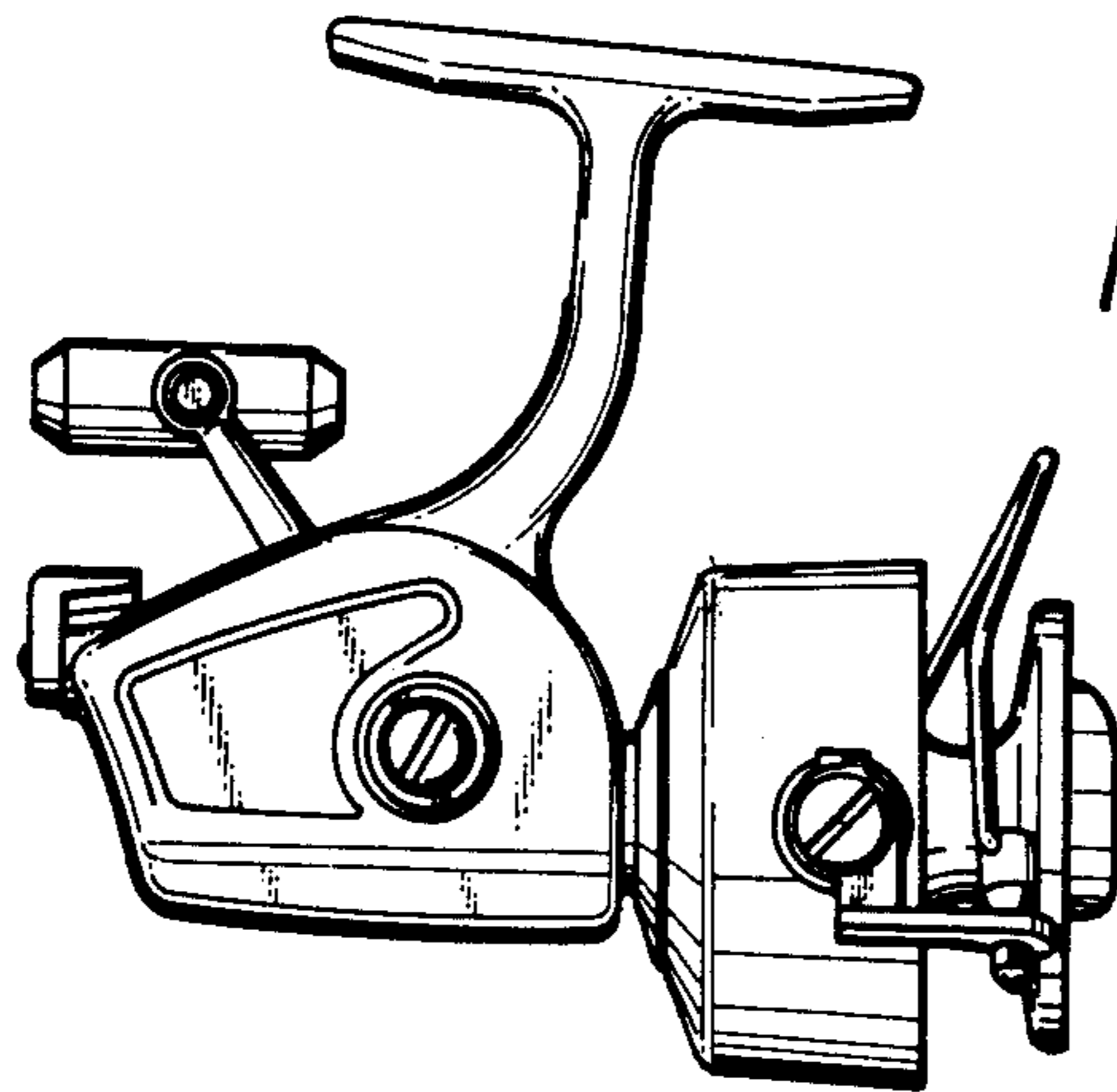


*Fig. 3*

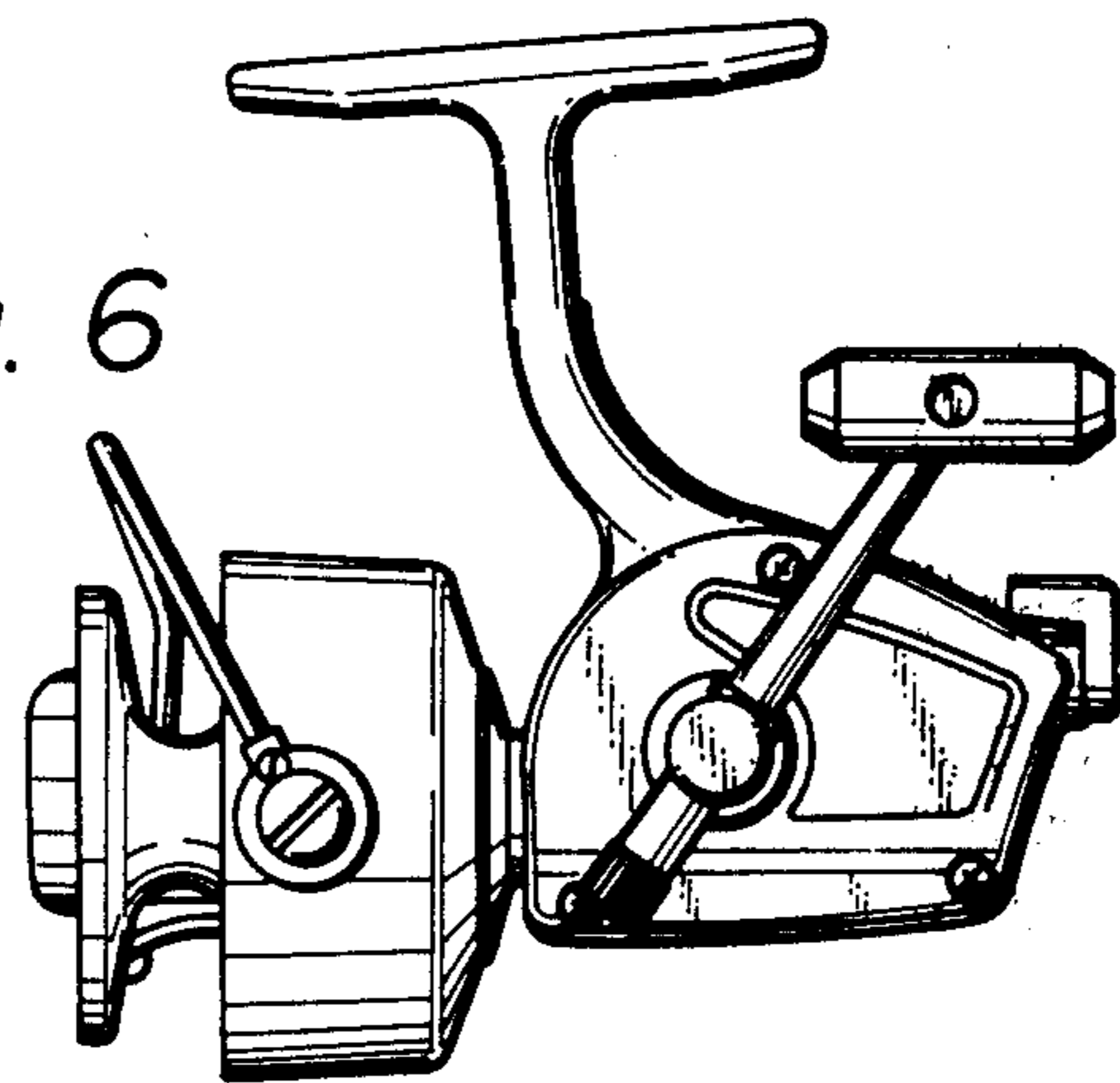


*Fig. 4*

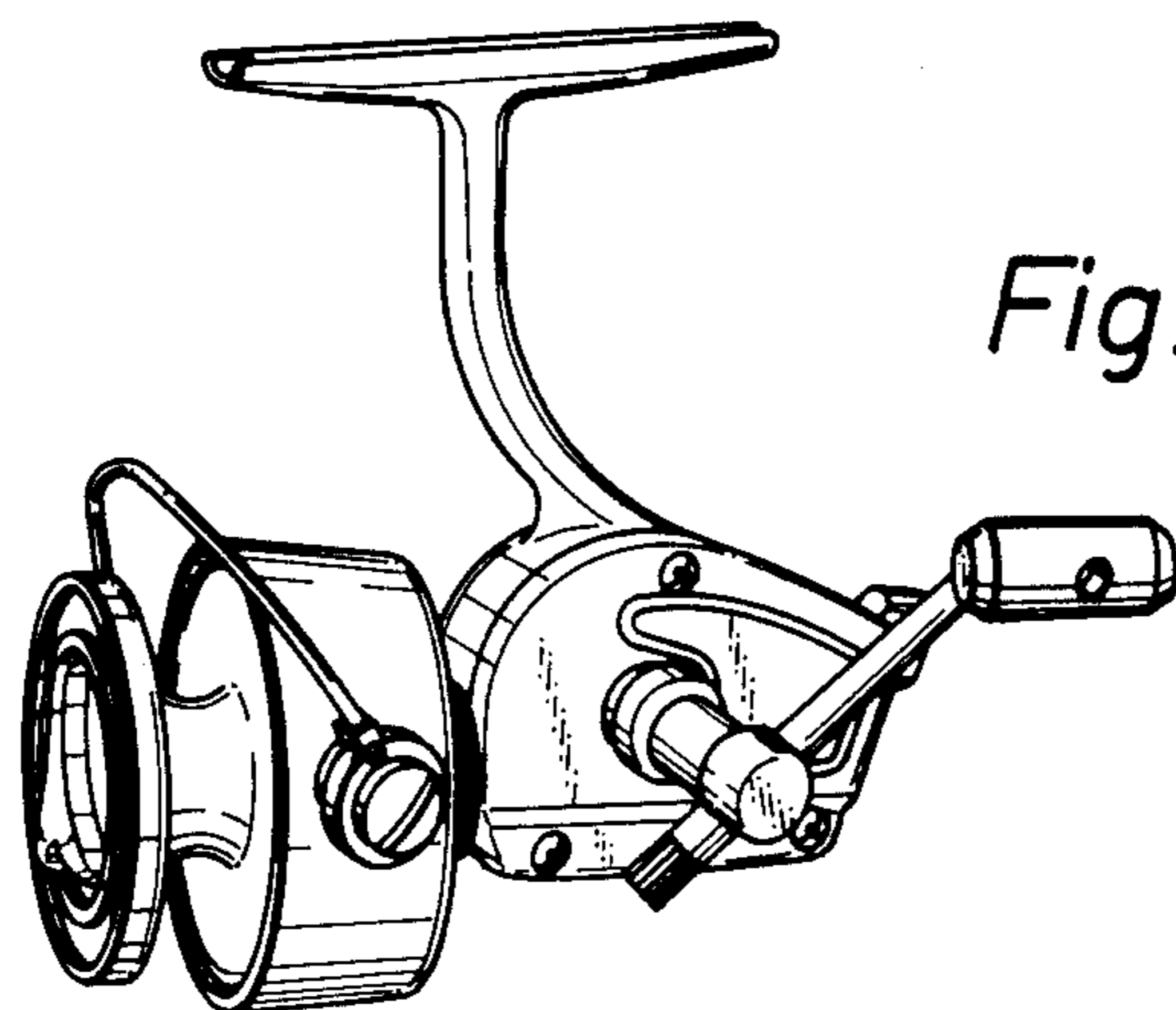




*Fig. 5*



*Fig. 6*



*Fig. 7*