

[54] **T FOR AN ENCLOSED ELECTRICAL CONDUIT**

[76] **Inventor:** John A. Malocsay, 18101 E. 160th Ave., Brighton, Colo. 80601

[**] **Term:** 14 Years

[21] **Appl. No.:** 799,751

[22] **Filed:** May 23, 1977

[51] **Int. Cl.** D13—03

[52] **U.S. Cl.** D13/13

[58] **Field of Search** 174/52 R, 50, 53, 58, 174/59, 60; 361/331, 356; 220/3.2, 3.94; D13/12, 24, 28, 29, 30, 31, 40, 41, 13

[56] **References Cited**

U.S. PATENT DOCUMENTS

2,917,724 12/1959 Jackson 174/59 X

FOREIGN PATENT DOCUMENTS

822271 11/1951 Fed. Rep. of Germany 174/59

1301375 7/1962 France 174/59

Primary Examiner—Susan J. Lucas
Attorney, Agent, or Firm—Frank C. Lowe

[57] **CLAIM**

The ornamental design for a T for an enclosed electrical conduit, as shown and described.

DESCRIPTION

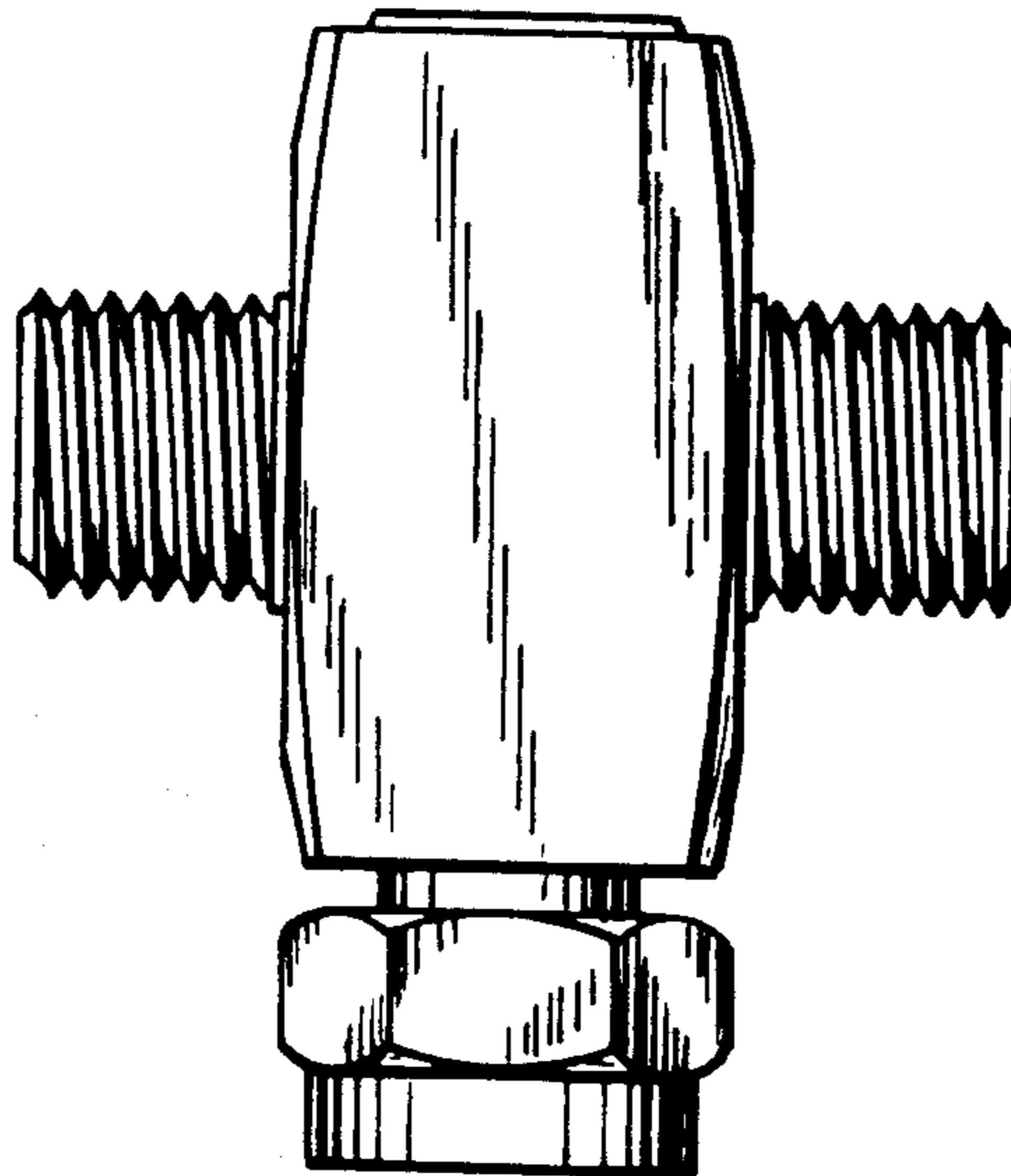
FIG. 1 is an isometric view of my design of a T for an electrical conduit rotated to a side position;

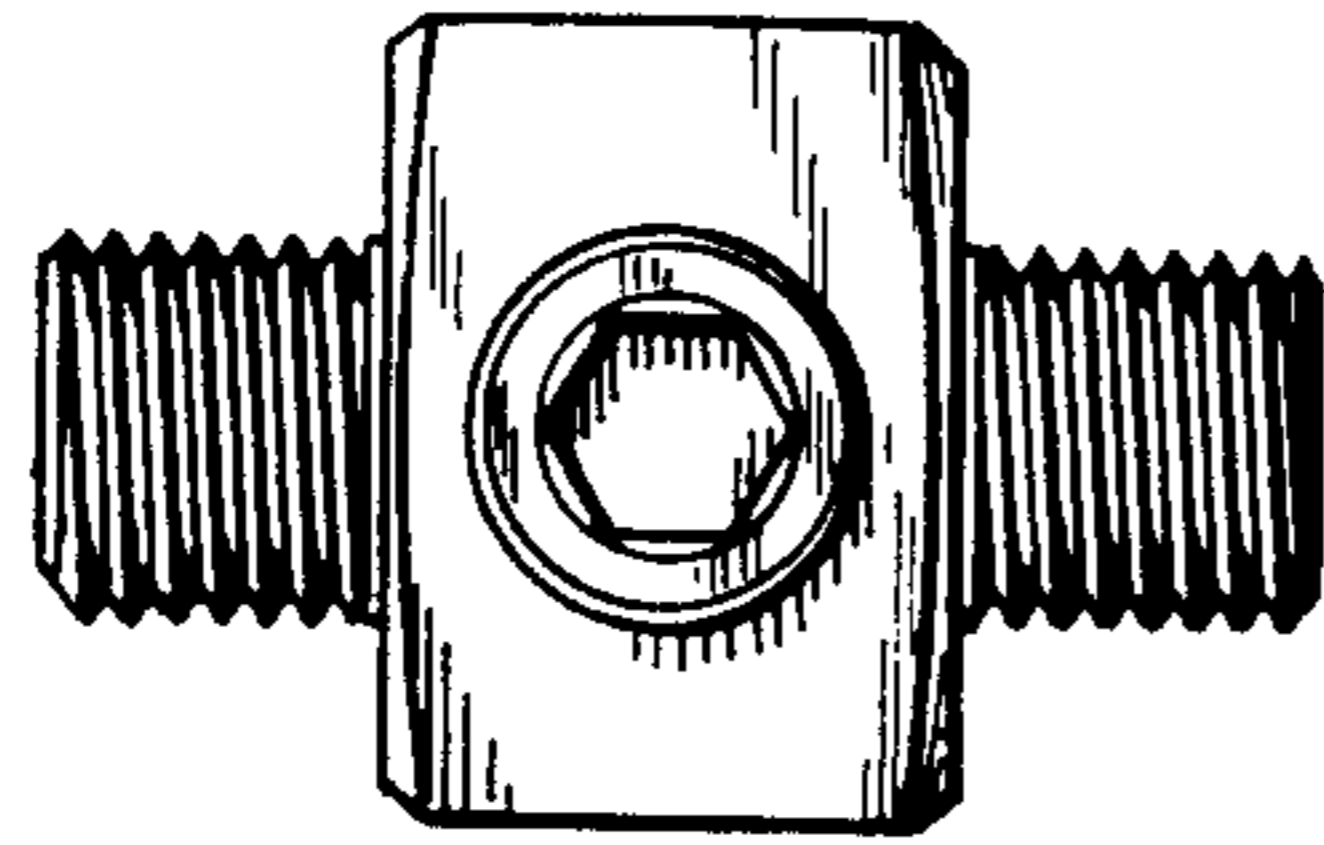
FIG. 2 is a plan view of the design;

FIG. 3 is a side elevational view;

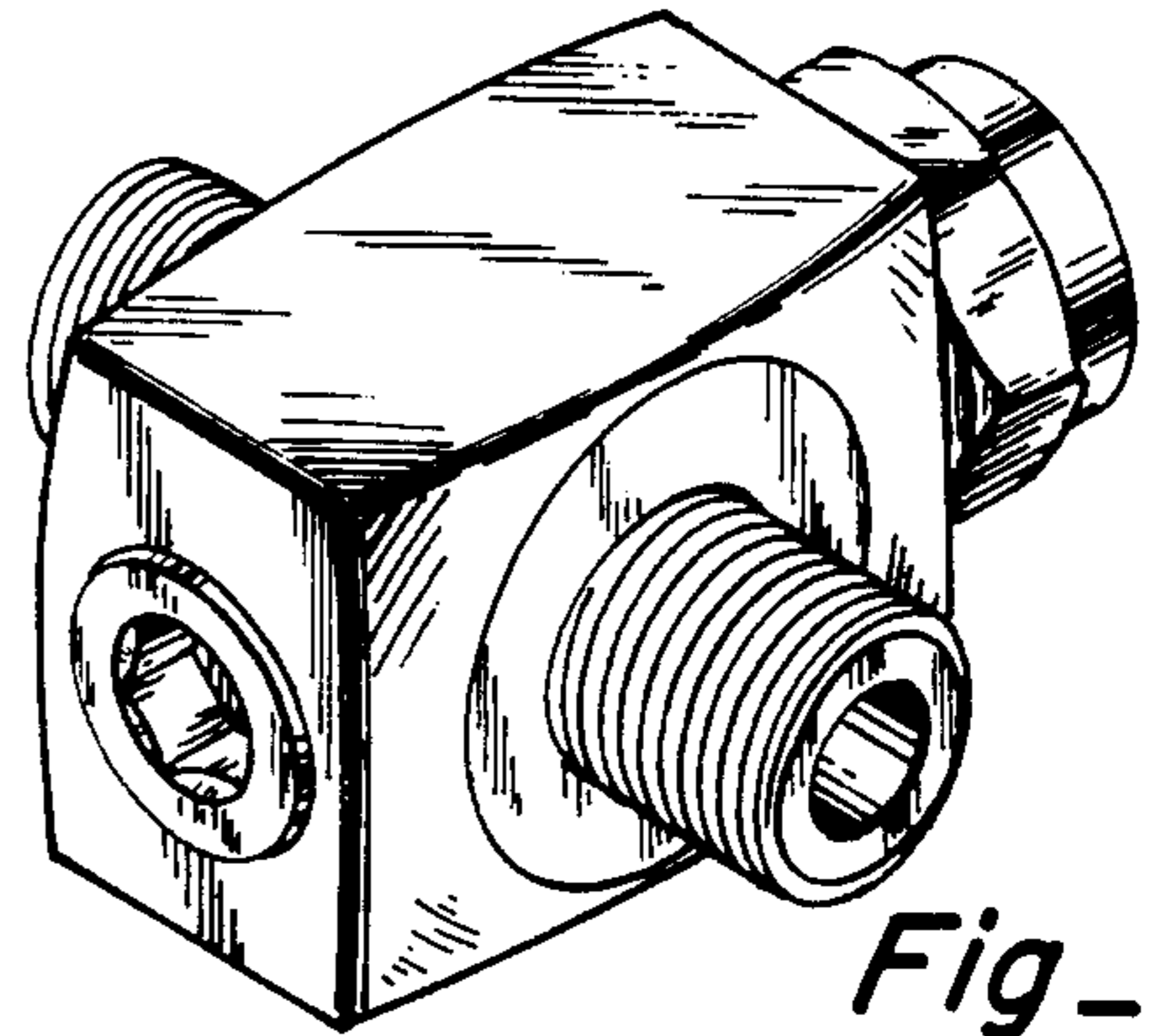
FIG. 4 is an end elevational view; and

FIG. 5 is a bottom view.

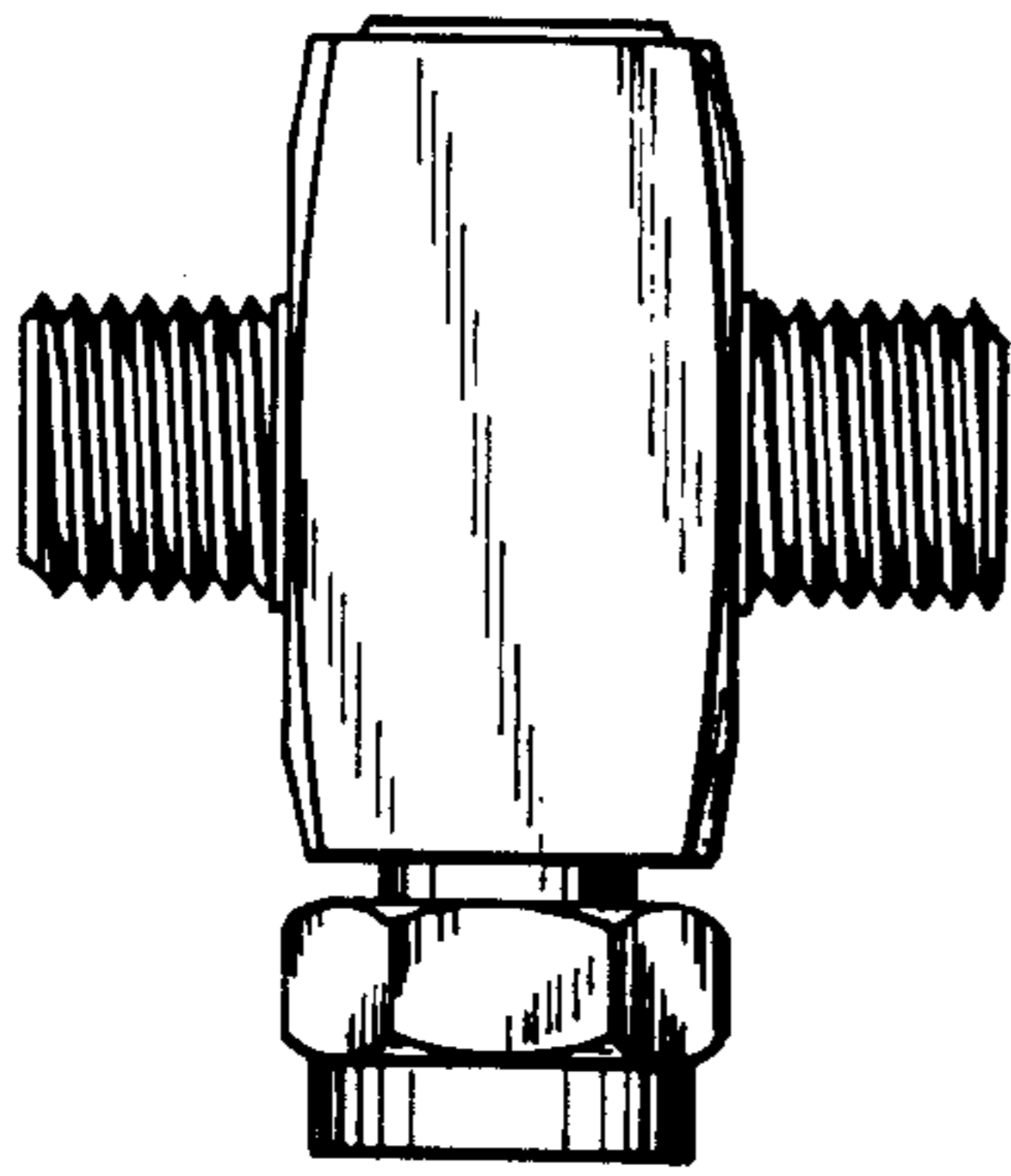




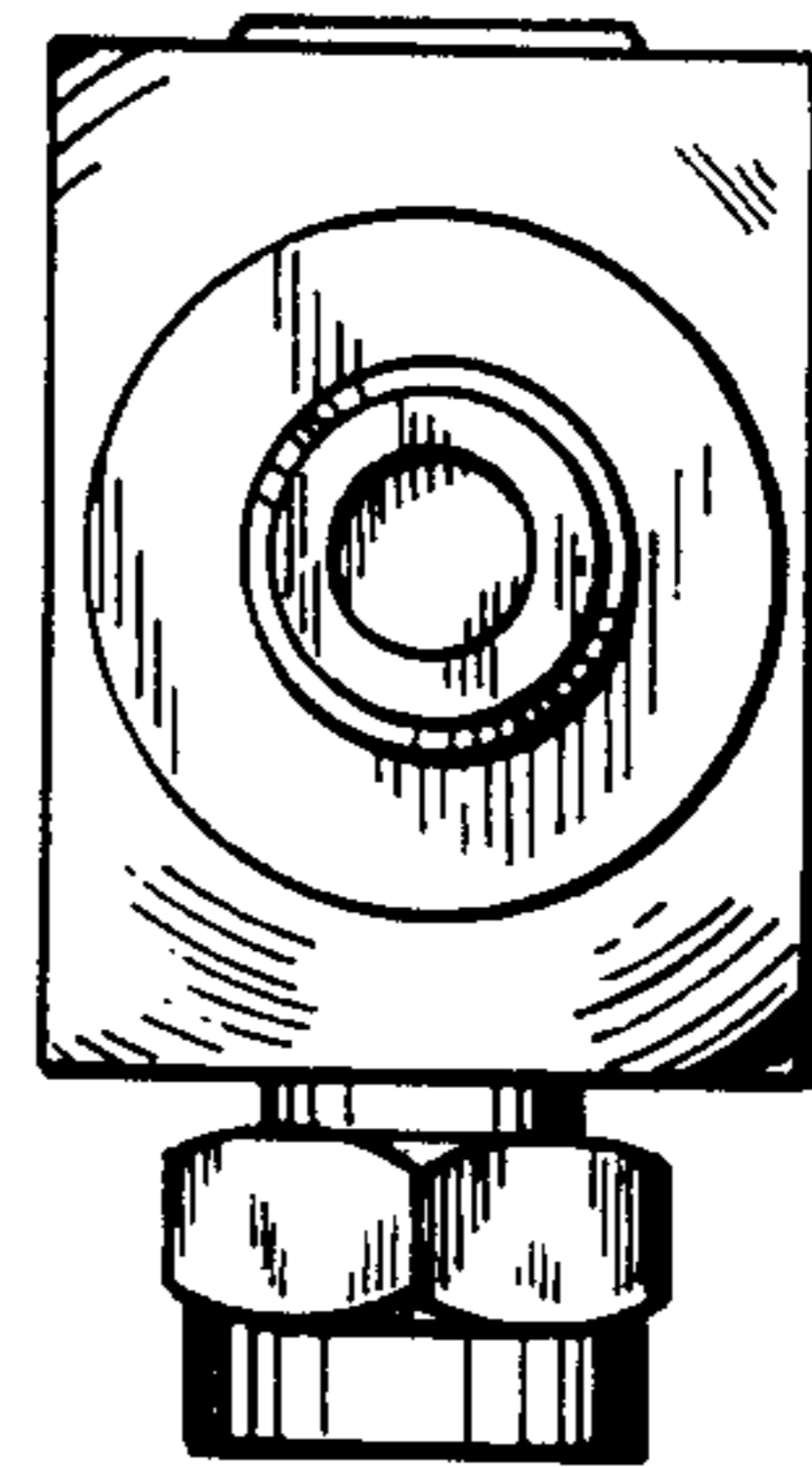
Fig_2



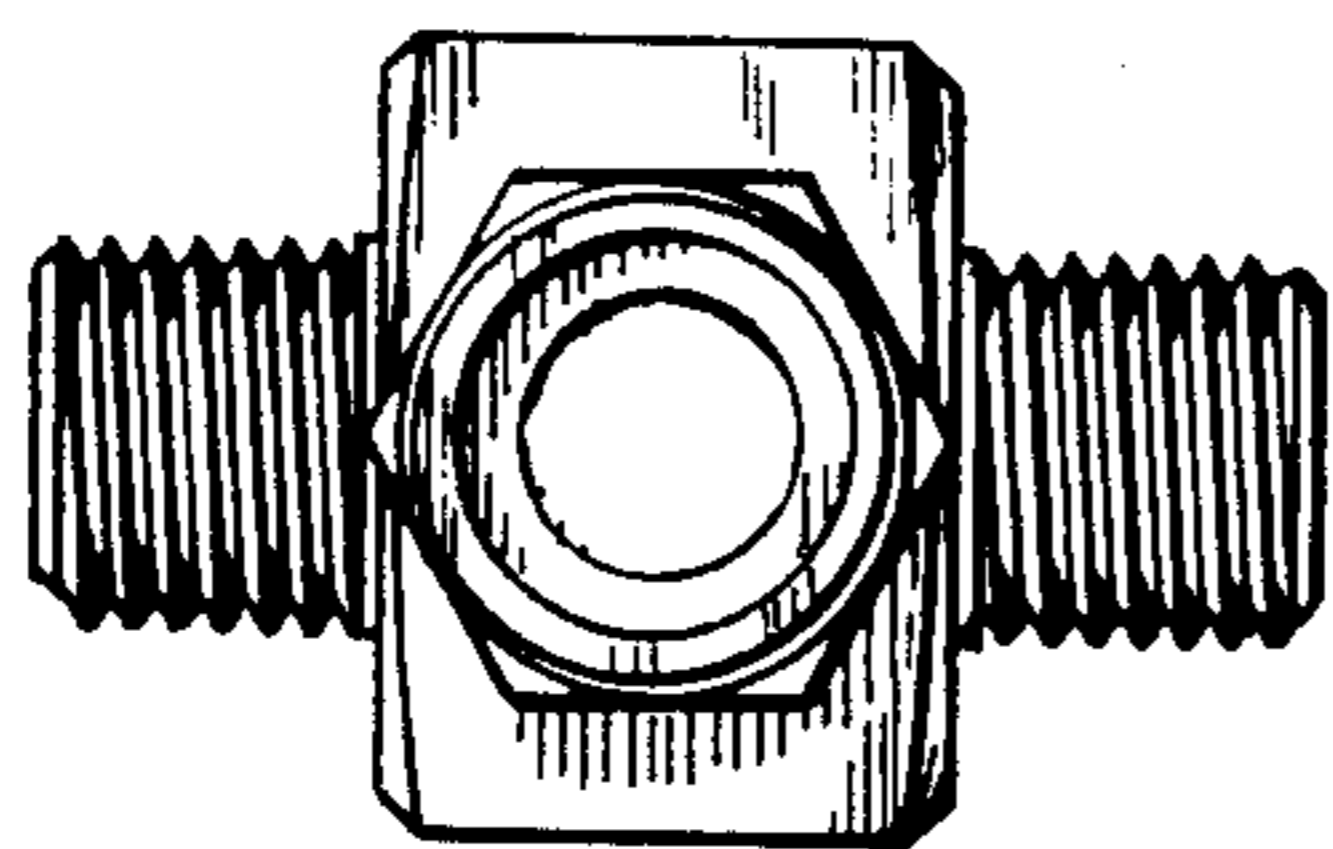
Fig_1



Fig_3



Fig_4



Fig_5