

[54] TOOL HOLDER

[75] Inventor: James S. Bator, Latrobe, Pa.

[73] Assignee: Kennametal Inc., Latrobe, Pa.

[**] Term: 14 Years

[21] Appl. No.: 736,104

[22] Filed: Oct. 27, 1976

[51] Int. Cl. D15-09

[52] U.S. Cl. D15/140

[58] Field of Search D15/140; 29/39, 40, 29/41

[56] References Cited

U.S. PATENT DOCUMENTS

- D. 137,803 5/1944 Wilson D15/140
- D. 232,762 9/1974 Lanese D15/140

OTHER PUBLICATIONS

American Machinist, 6/76, p. 32, Kennametal Tool Holder, bottom of page.

Primary Examiner—James M. Gandy
Attorney, Agent, or Firm—Lawrence R. Burns

[57] CLAIM

The ornamental design for a tool holder, substantially as shown.

DESCRIPTION

FIG. 1 is a perspective view of a tool holder showing my new design;
 FIG. 2 is a top plan view thereof;
 FIG. 3 is an end elevational view thereof;
 FIG. 4 is a side elevational view thereof;
 FIG. 5 is an end elevational view thereof opposite to that shown in FIG. 3; and
 FIG. 6 is a bottom plan view thereof.

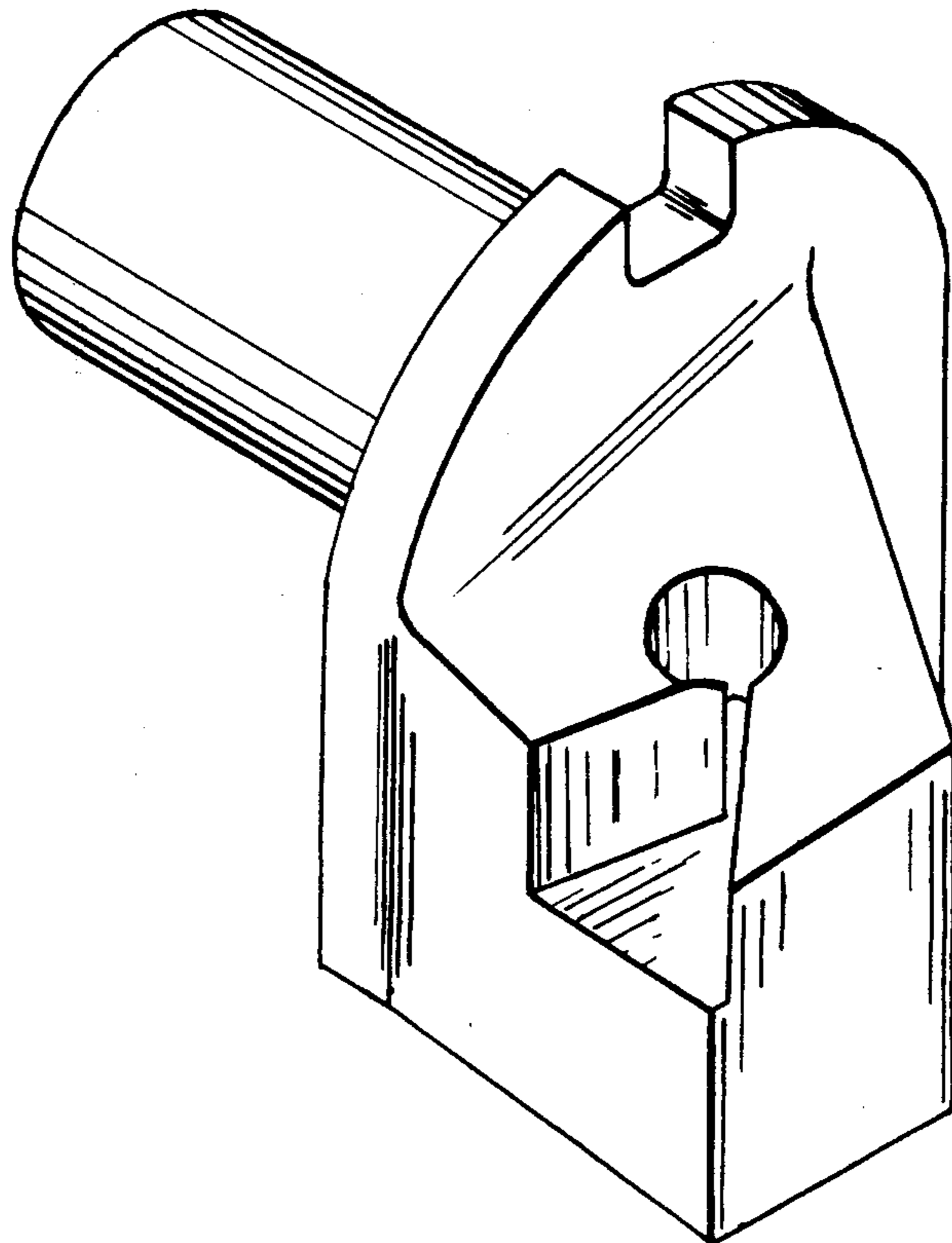


FIG. 1

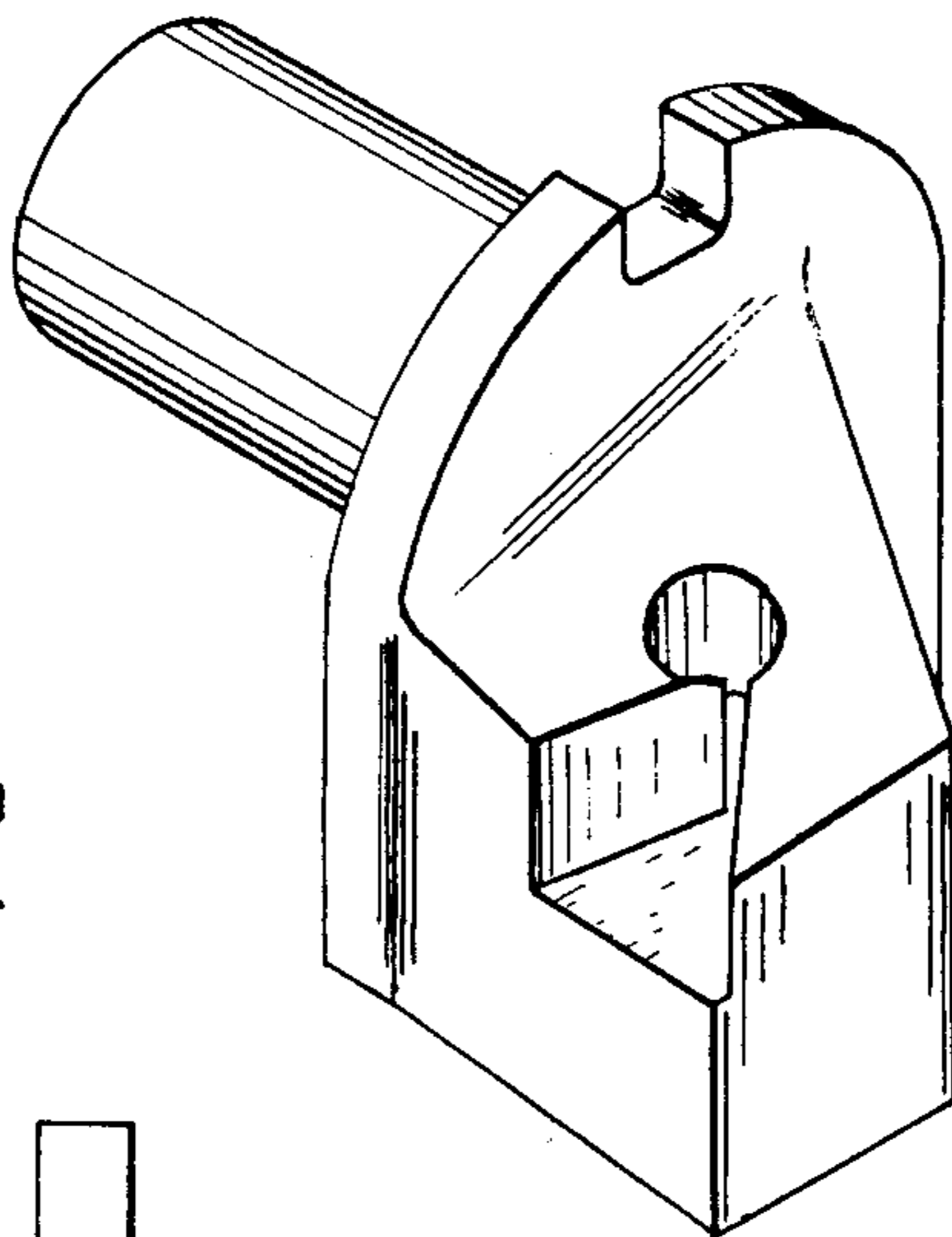


FIG. 2

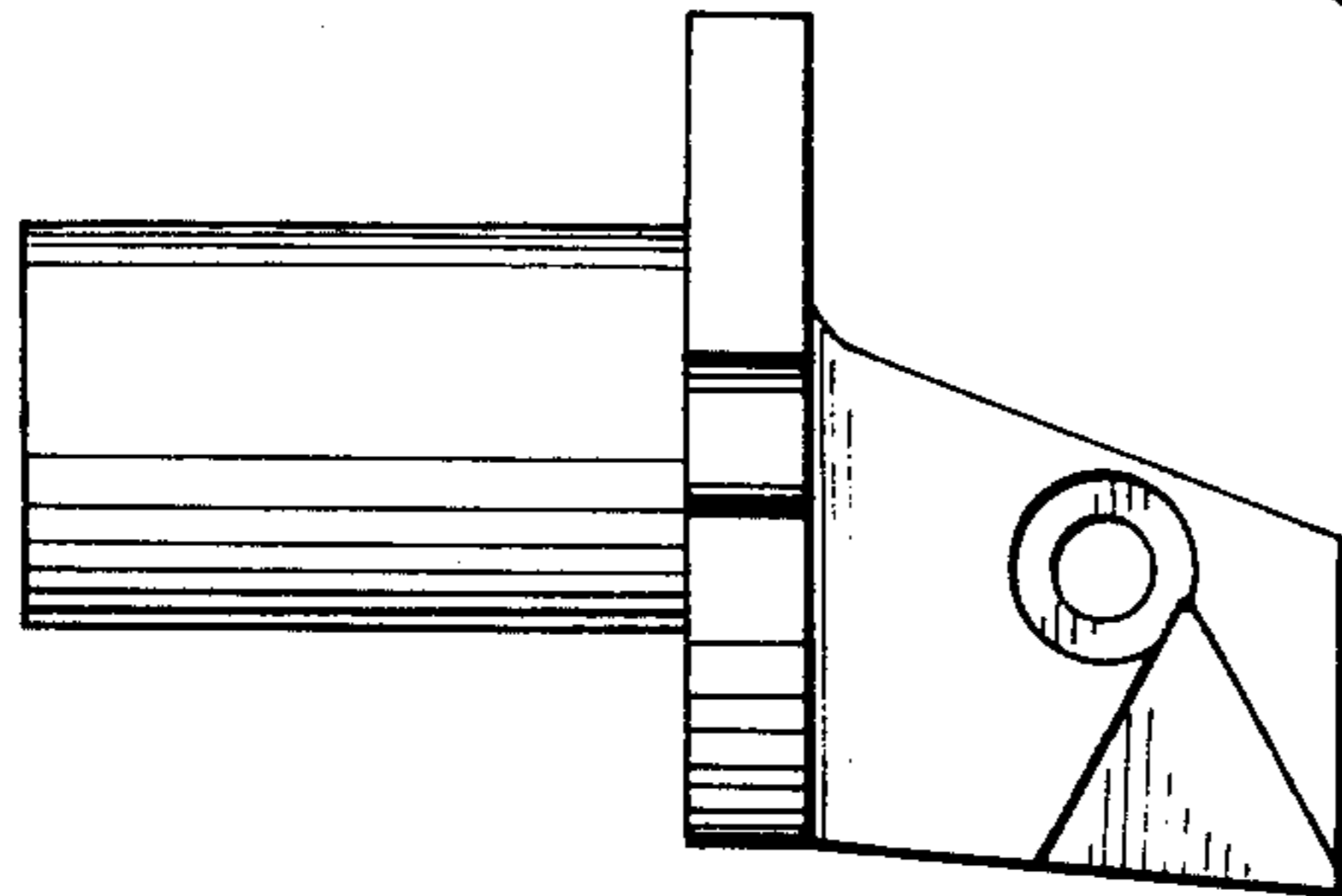


FIG. 3

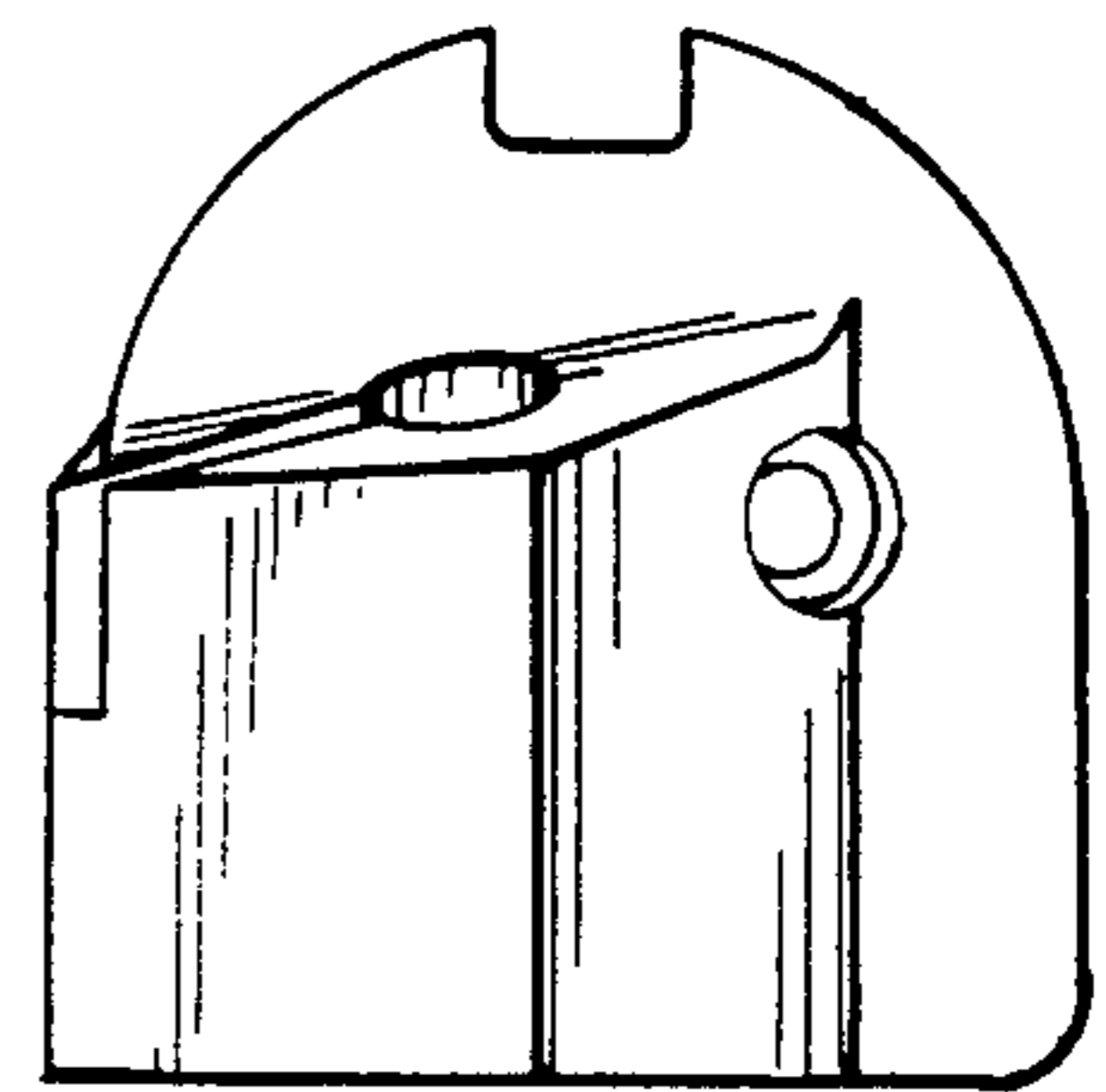


FIG. 4

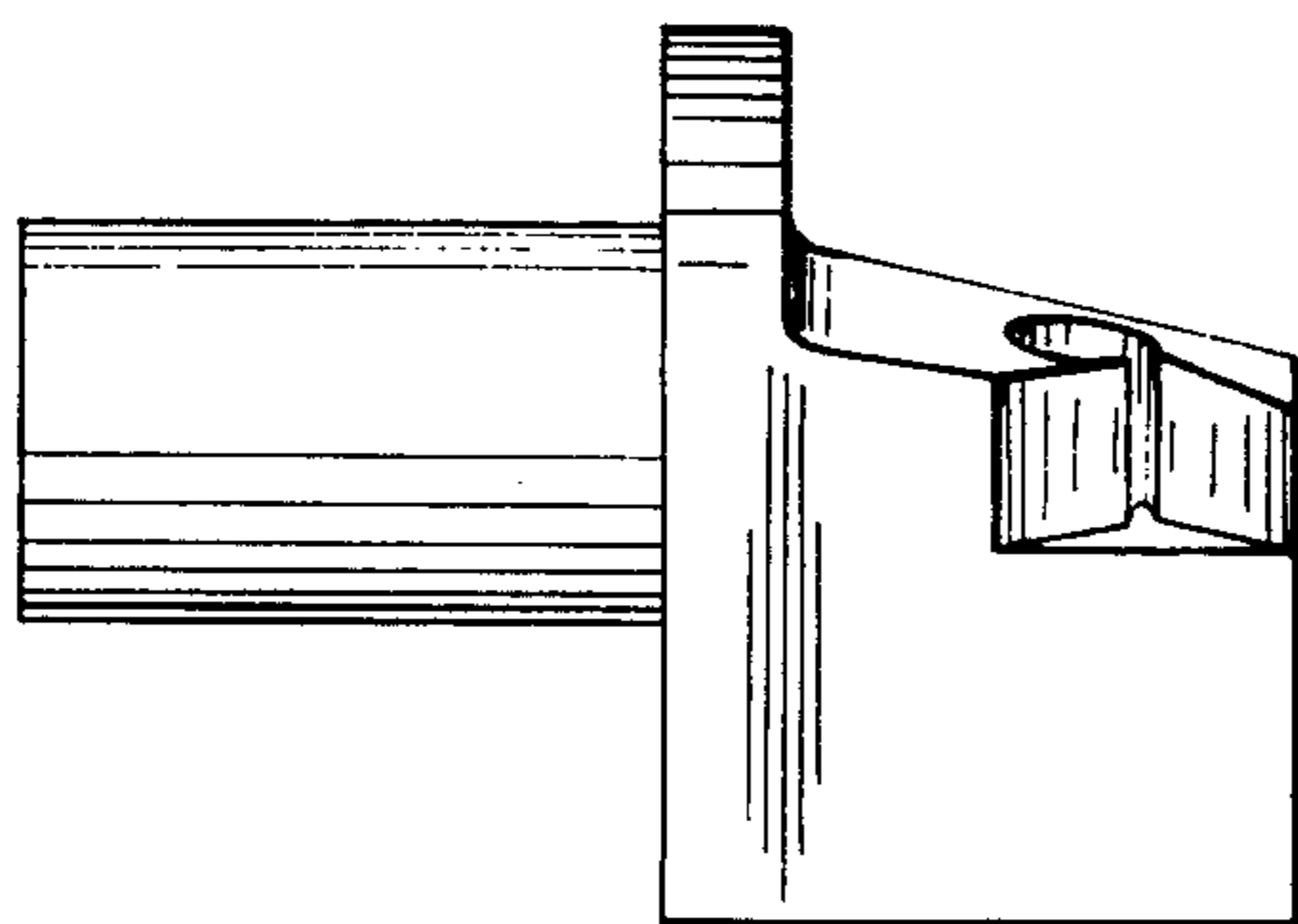


FIG. 5

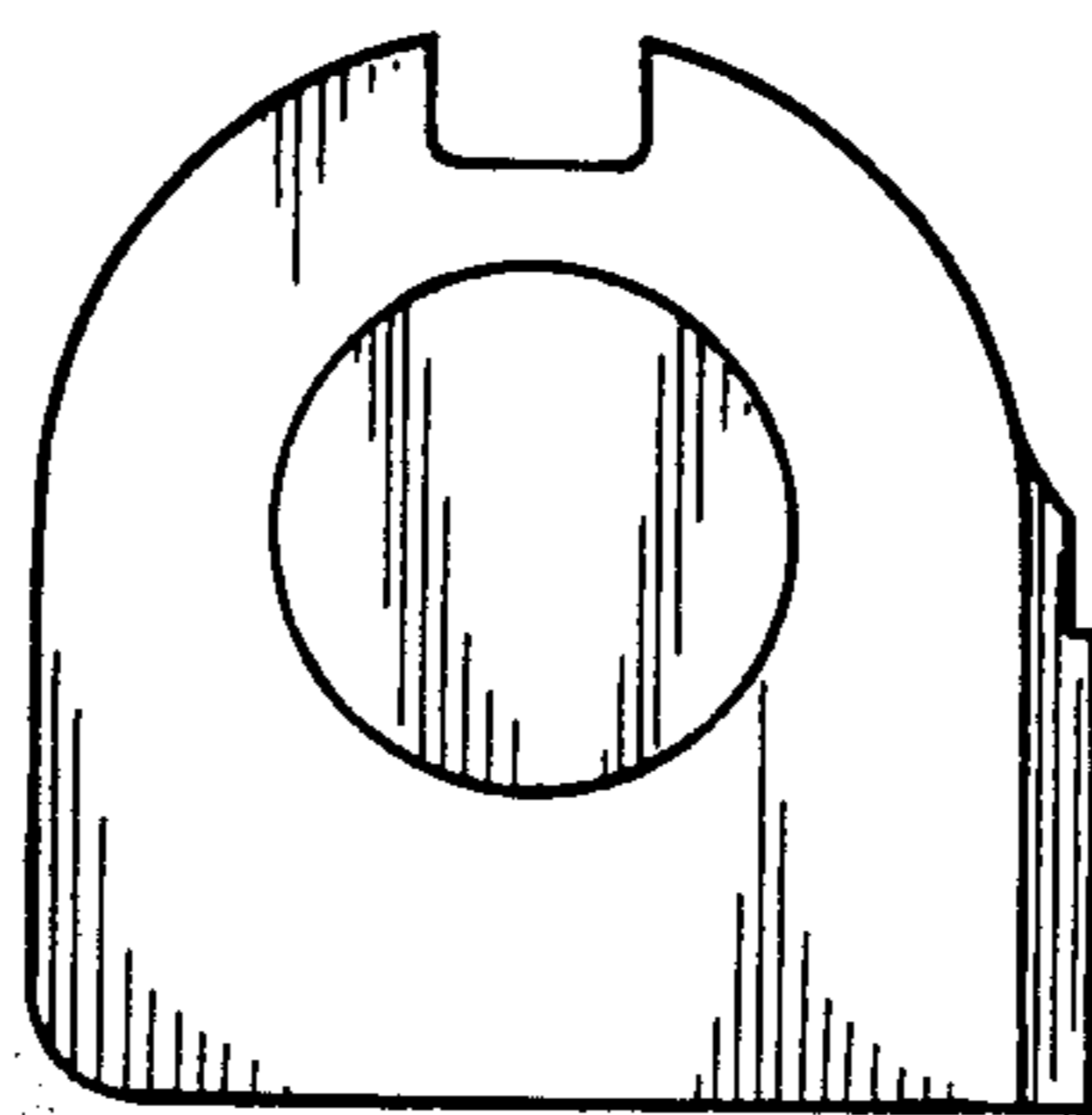


FIG. 6

