

[54] MICROPHONE HOLDER OR SIMILAR ARTICLE

[75] Inventor: Kazumasa Fujita, Iwaki, Japan  
[73] Assignee: Alps Motorola Inc., Tokyo, Japan  
[\*\*] Term: 14 Years  
[21] Appl. No.: 777,491  
[22] Filed: Mar. 14, 1977

[30] Foreign Application Priority Data  
Dec. 25, 1976 [JP] Japan ..... 51/50511

[51] Int. Cl. .... D14-99  
[52] U.S. Cl. .... D14/13; D14/65;  
D6/88; D6/125  
[58] Field of Search ..... D6/88, 125; 248/108,  
248/358; 179/147, 148, 146 R, 178, 179;  
D14/12, 13, 65

[56] References Cited  
U.S. PATENT DOCUMENTS

D. 179,540	1/1957	Knechtsberger .....	D14/13
D. 223,579	5/1972	Plice .....	D14/13
D. 240,681	7/1976	Granatelli .....	D6/125 X
3,414,686	12/1968	Reinthaler .....	179/149
3,653,625	4/1972	Plice .....	179/147 X

Primary Examiner—Bernard Ansher  
Attorney, Agent, or Firm—Donald J. Lisa

[57] CLAIM

The ornamental design for a microphone holder or similar article, substantially as shown.

DESCRIPTION

FIG. 1 is a front elevation view of a microphone holder or similar article showing my new design; FIG. 2 is a top plan view thereof; FIG. 3 is a side elevation thereof; and FIG. 4 is a bottom plan view thereof.

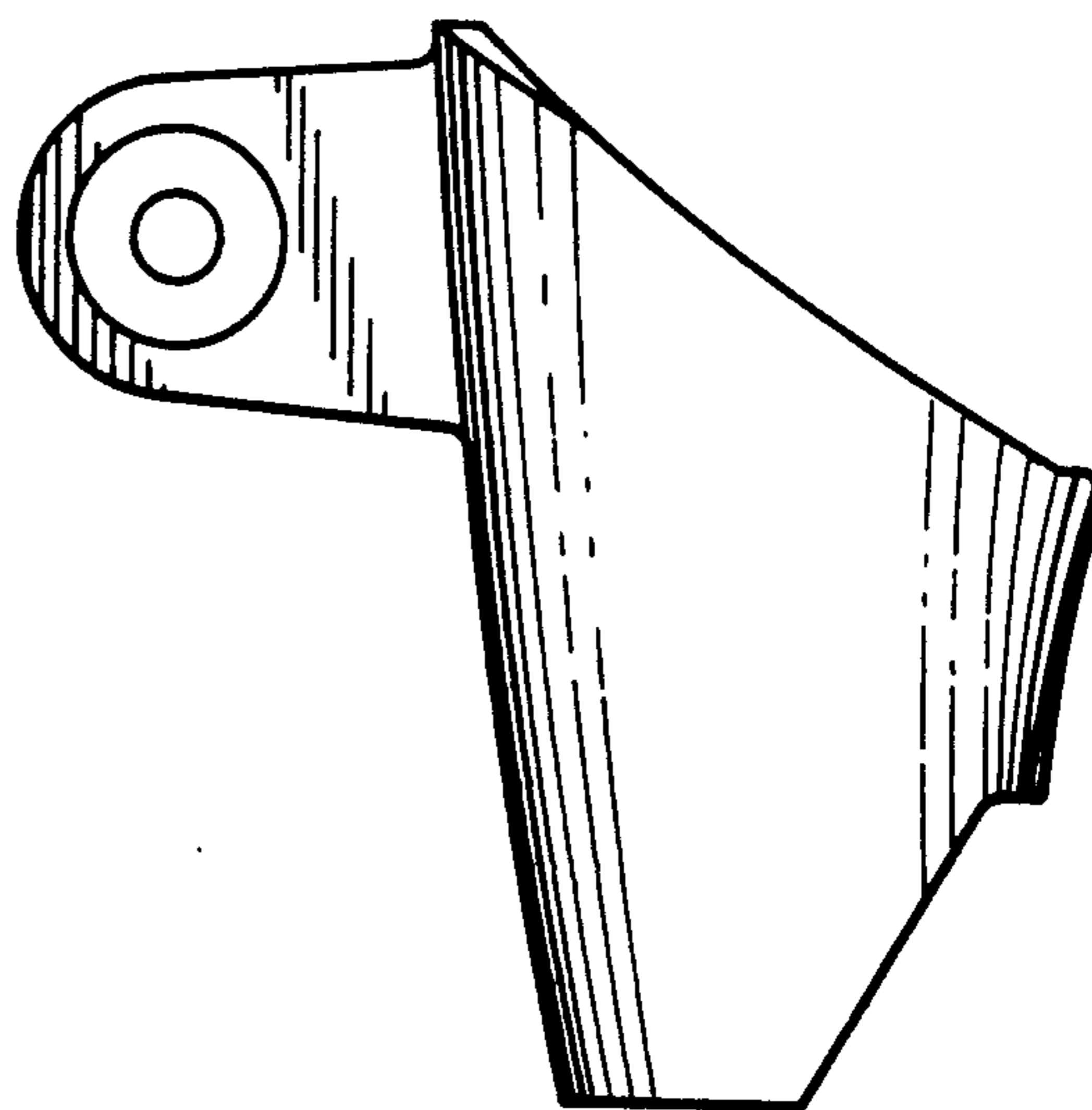
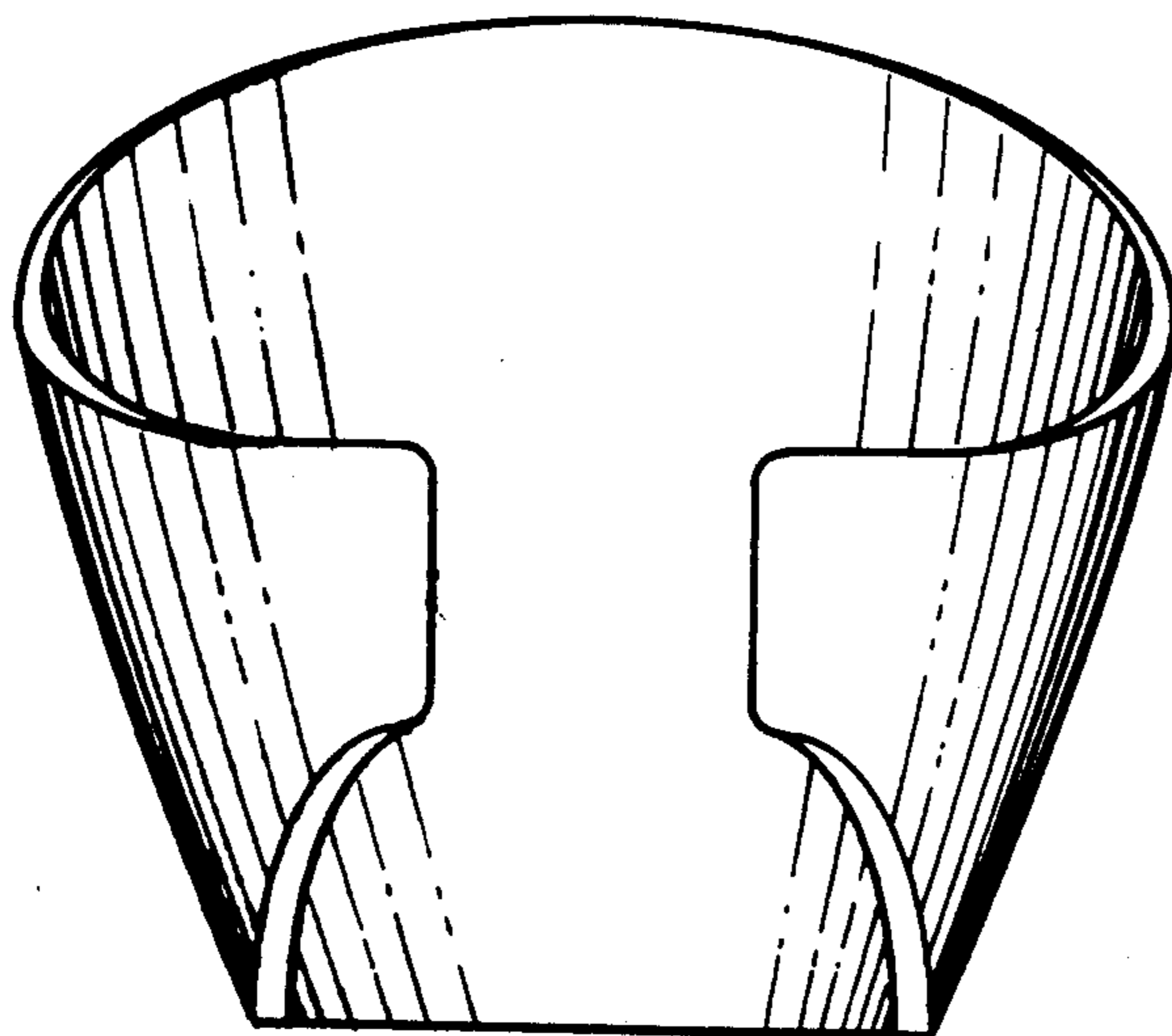


Fig. 1

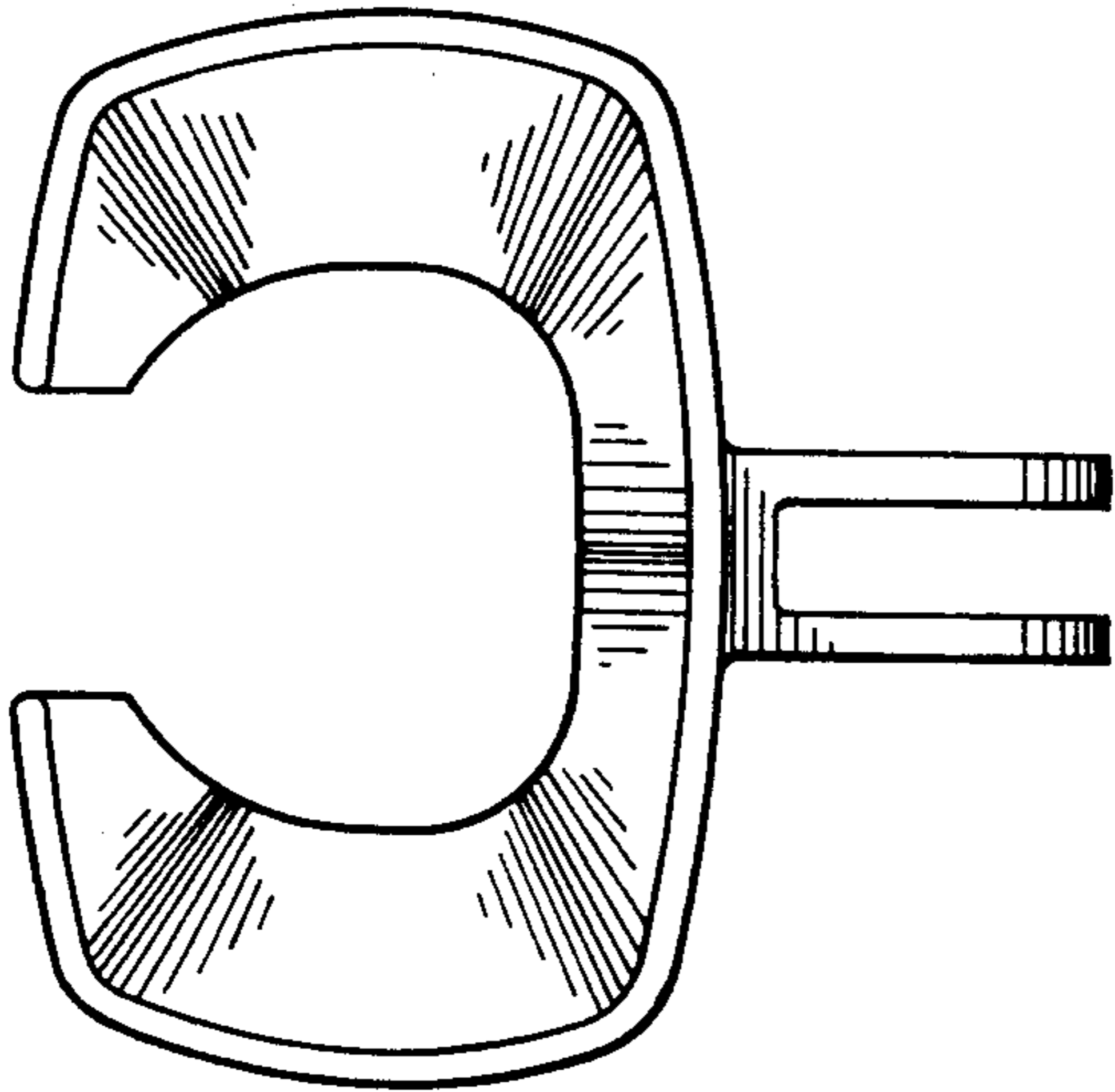
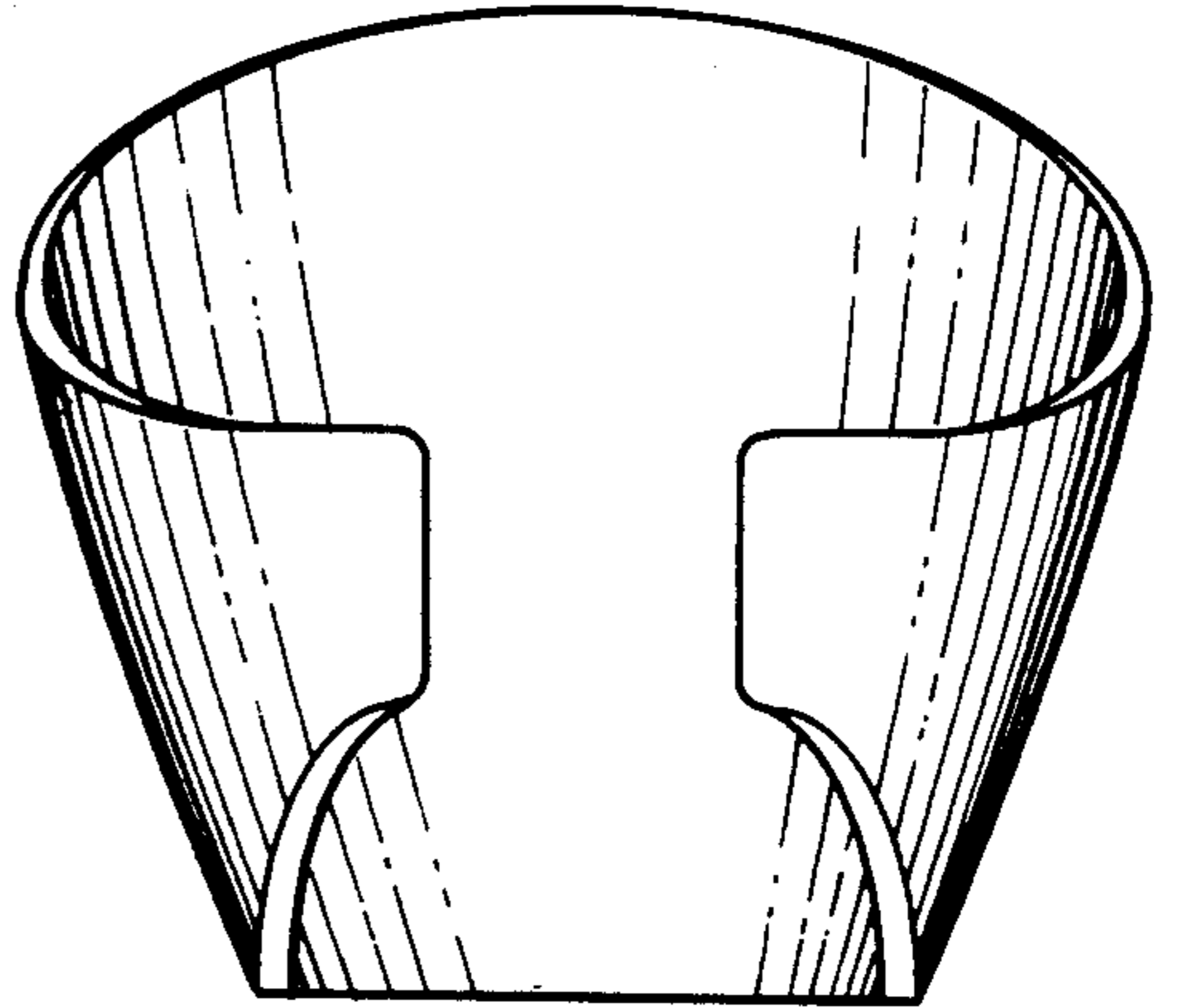


Fig. 2

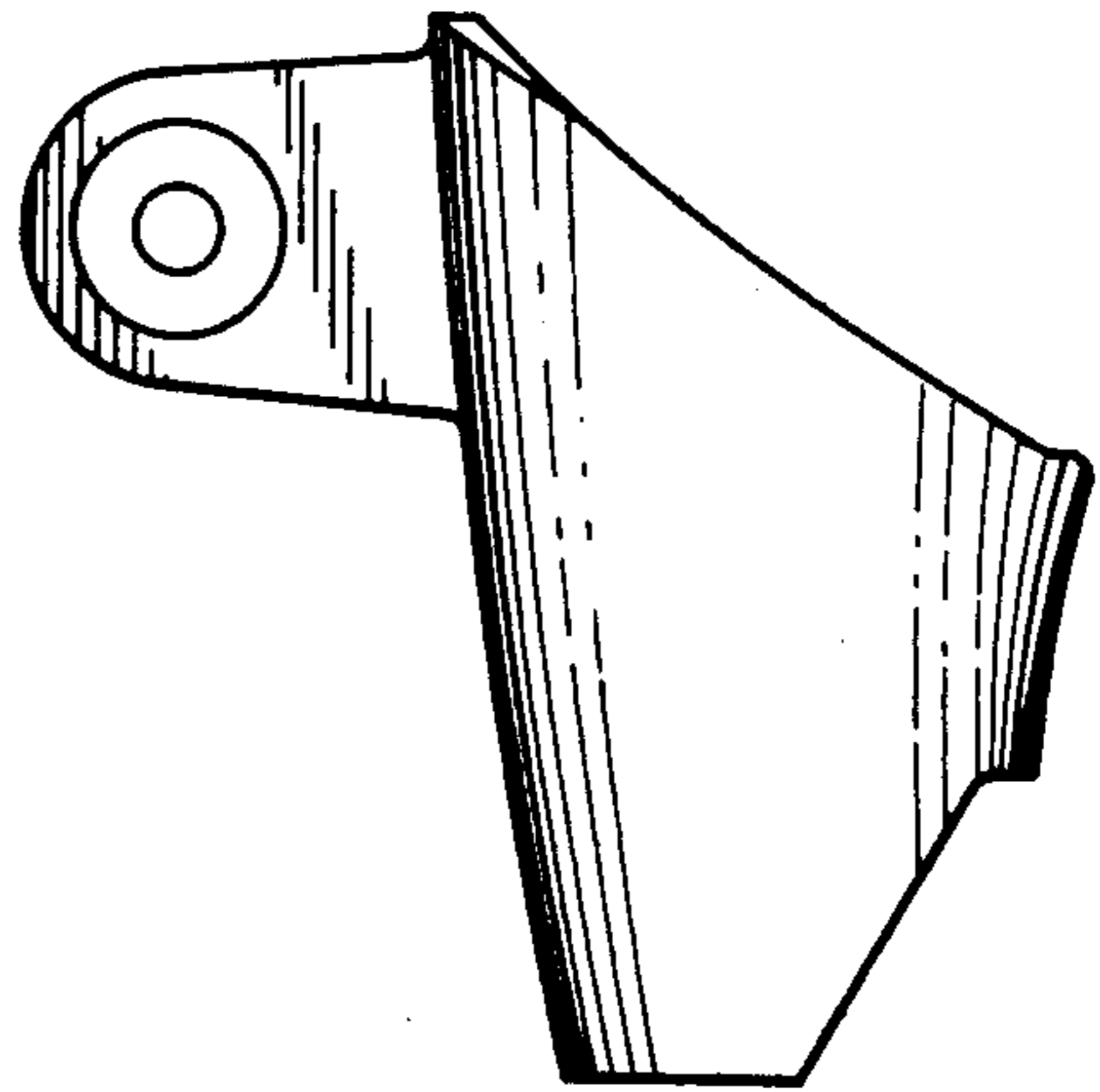


Fig. 3

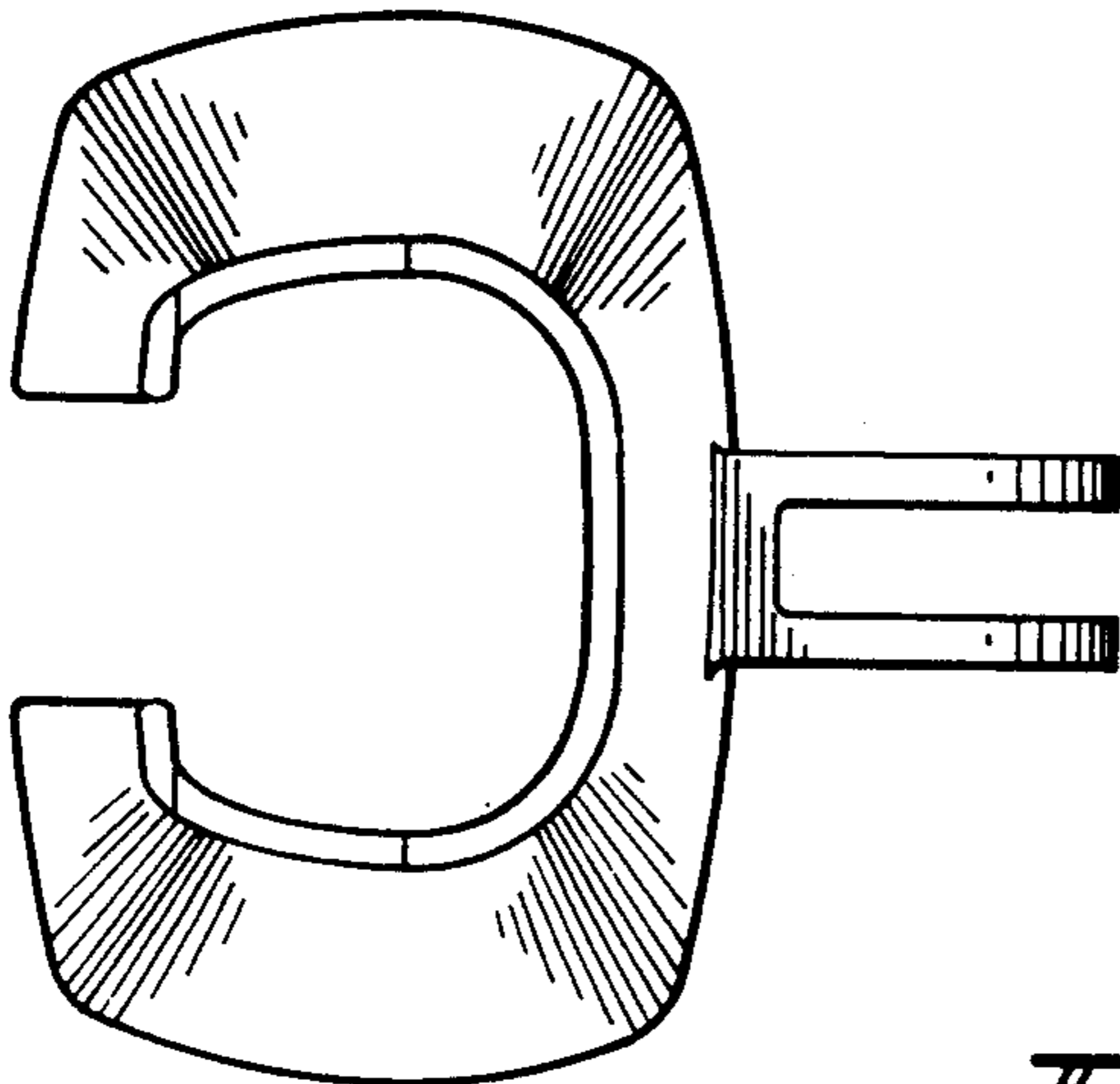


Fig. 4