

[54] COMBINATION LOCK DIAL

[75] Inventor: **Tim M. Uyeda**, South San Gabriel, Calif.

[73] Assignee: **La Gard, Inc.**, Torrance, Calif.

[**] Term: **14 Years**

[21] Appl. No.: **806,848**

[22] Filed: **Jun. 15, 1977**

[51] Int. Cl. **D8-07**

[52] U.S. Cl. **D8/343**

[58] Field of Search **D8/343, 330, 331; 70/332, 329, 330, 323**

[56] References Cited

U.S. PATENT DOCUMENTS

1,435,992	11/1922	Strauss et al.	70/330
2,690,664	10/1954	Miller	70/332
2,728,215	12/1955	Bremer	70/332
2,836,052	5/1958	Miller	70/332

Primary Examiner—James M. Gandy
Attorney, Agent, or Firm—G. P. Smith

[57] CLAIM

The ornamental design for a combination lock dial, substantially as shown.

DESCRIPTION

FIG. 1 is a perspective view of a combination lock dial showing my new design;

FIG. 2 is a front elevational view thereof;

FIG. 3 is a side elevational view thereof; and

FIG. 4 is a back elevational view thereof.

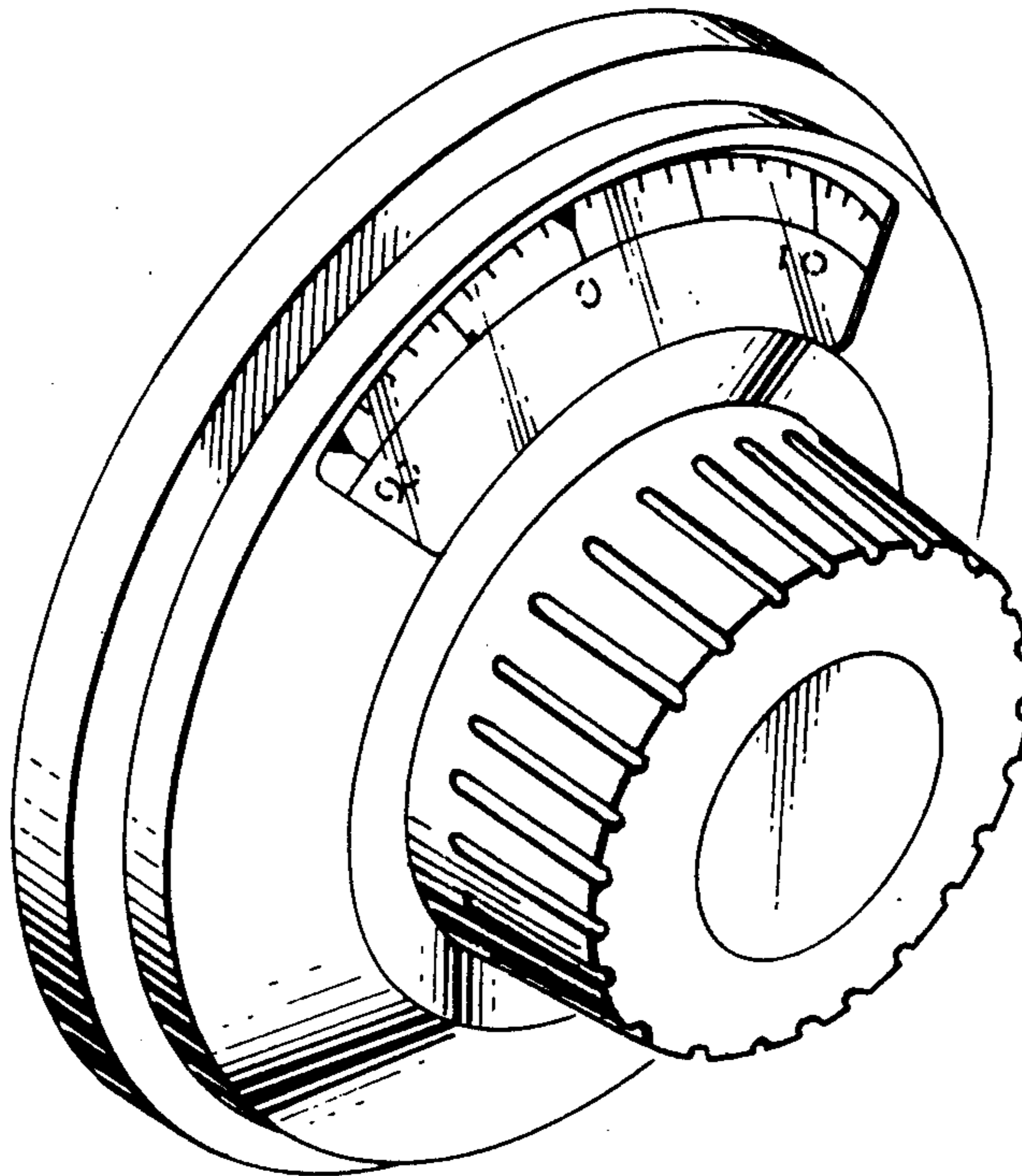


Fig. 1.

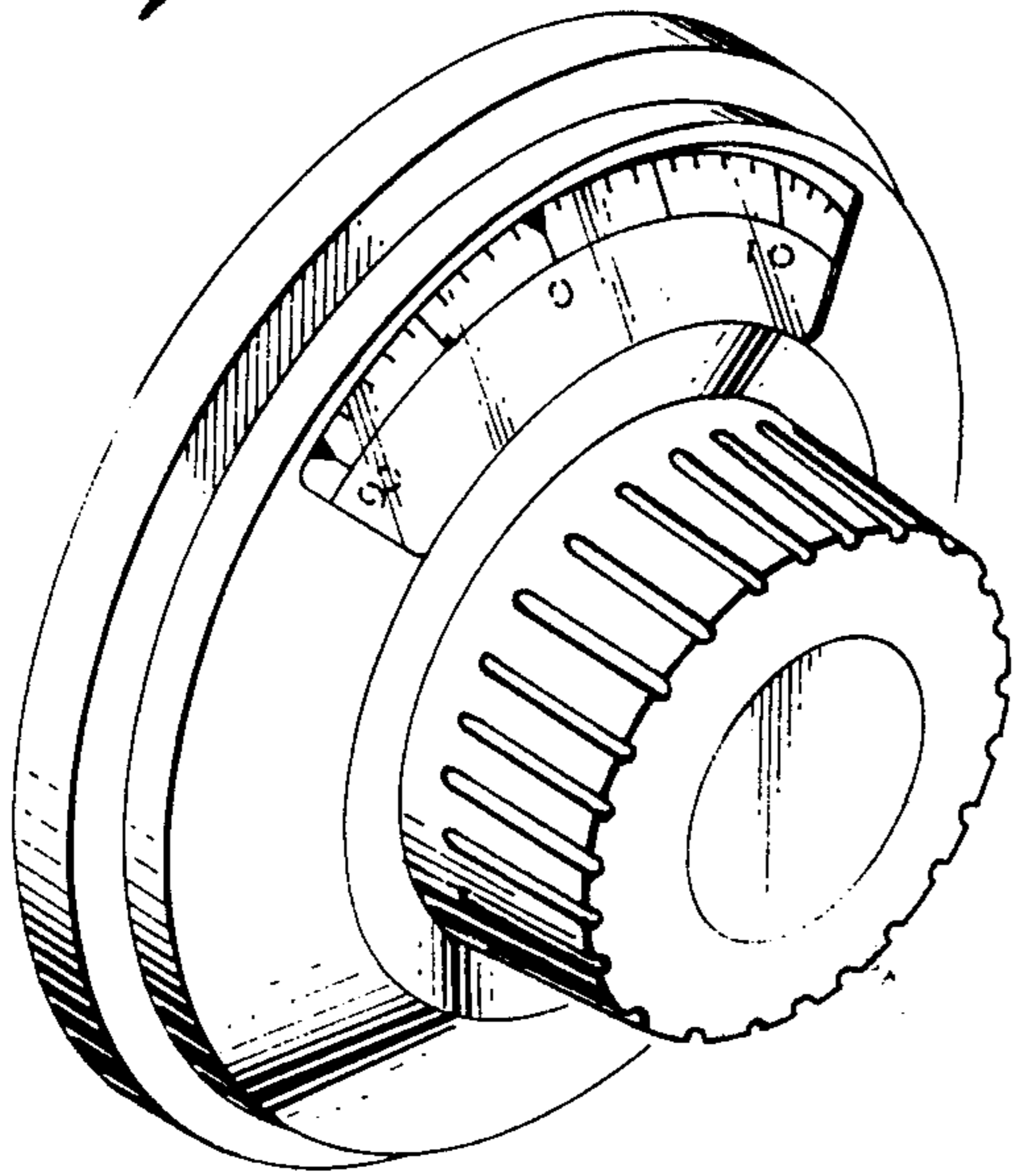


Fig. 2.

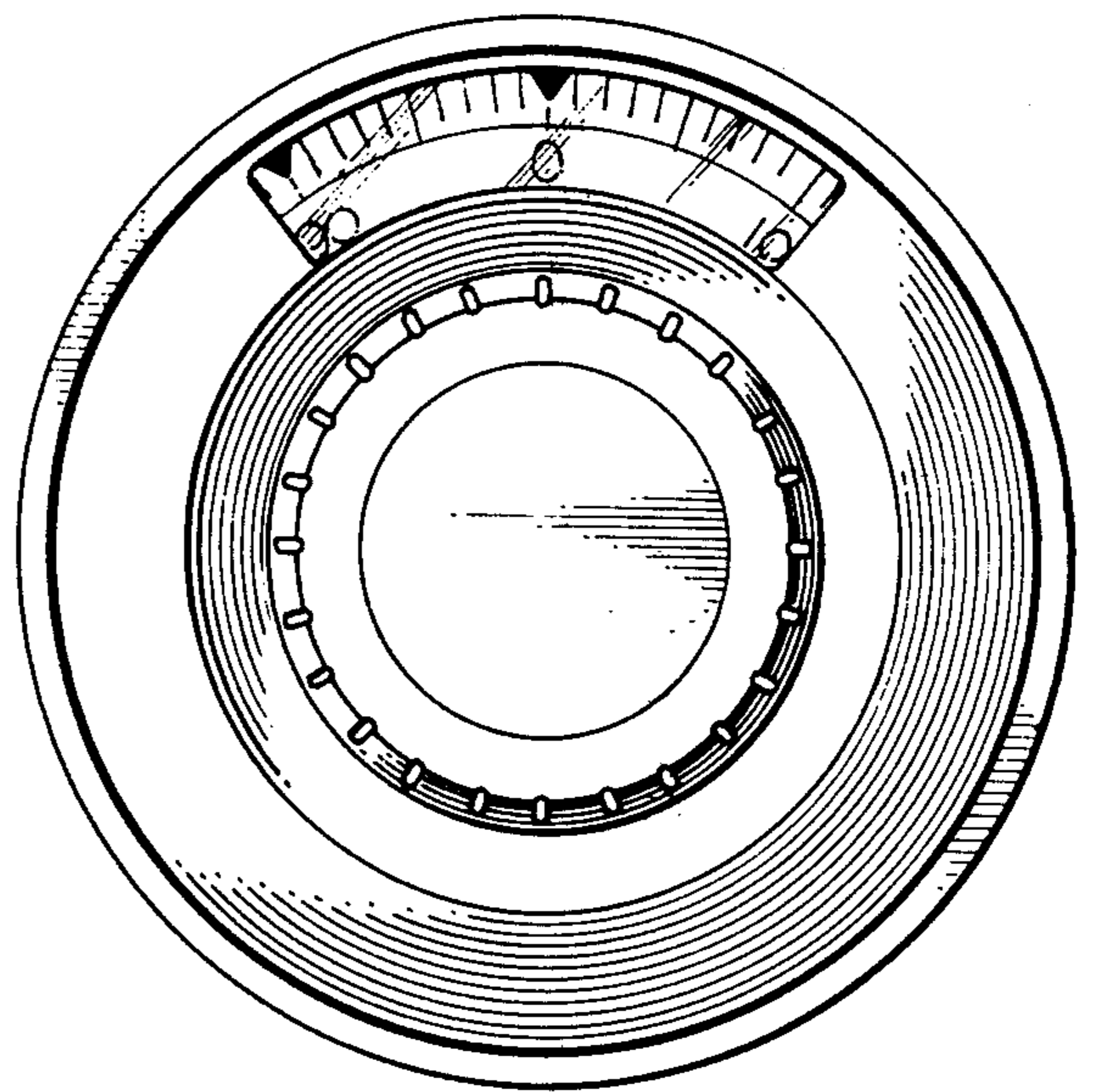


Fig. 3.

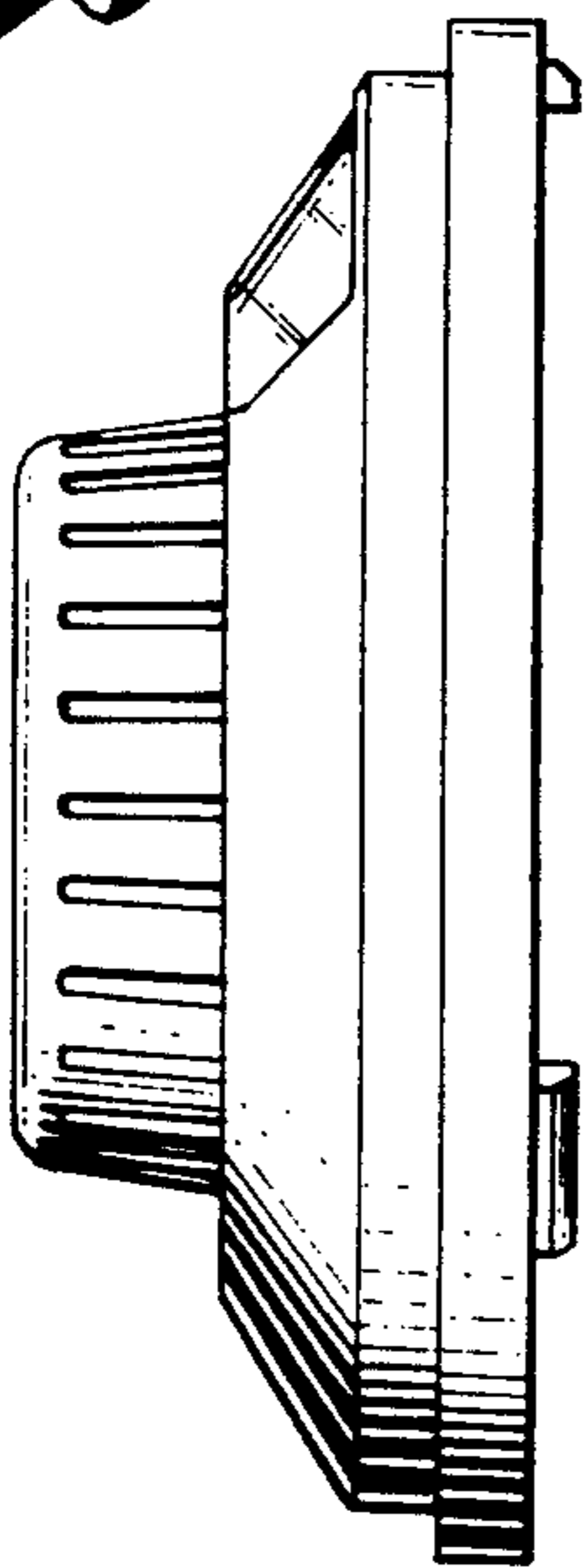


Fig. 4.

