

[54] HANDLE OF A HAND SAW  
 [75] Inventor: Carl-Arne Breger, Malmo, Sweden  
 [73] Assignee: Sandvik Aktiebolag, Sandviken, Sweden  
 [\*\*] Term: 14 Years  
 [21] Appl. No.: 775,548  
 [22] Filed: Mar. 8, 1977  
 [51] Int. Cl. .... D8-03  
 [52] U.S. Cl. .... D8/97  
 [58] Field of Search .... D8/97, 95, 107

[56] **References Cited**  
**U.S. PATENT DOCUMENTS**  
 D. 152,760 2/1949 Weaver ..... D8/97

D.192,069 1/1962 Franklin et al. .... D8/95

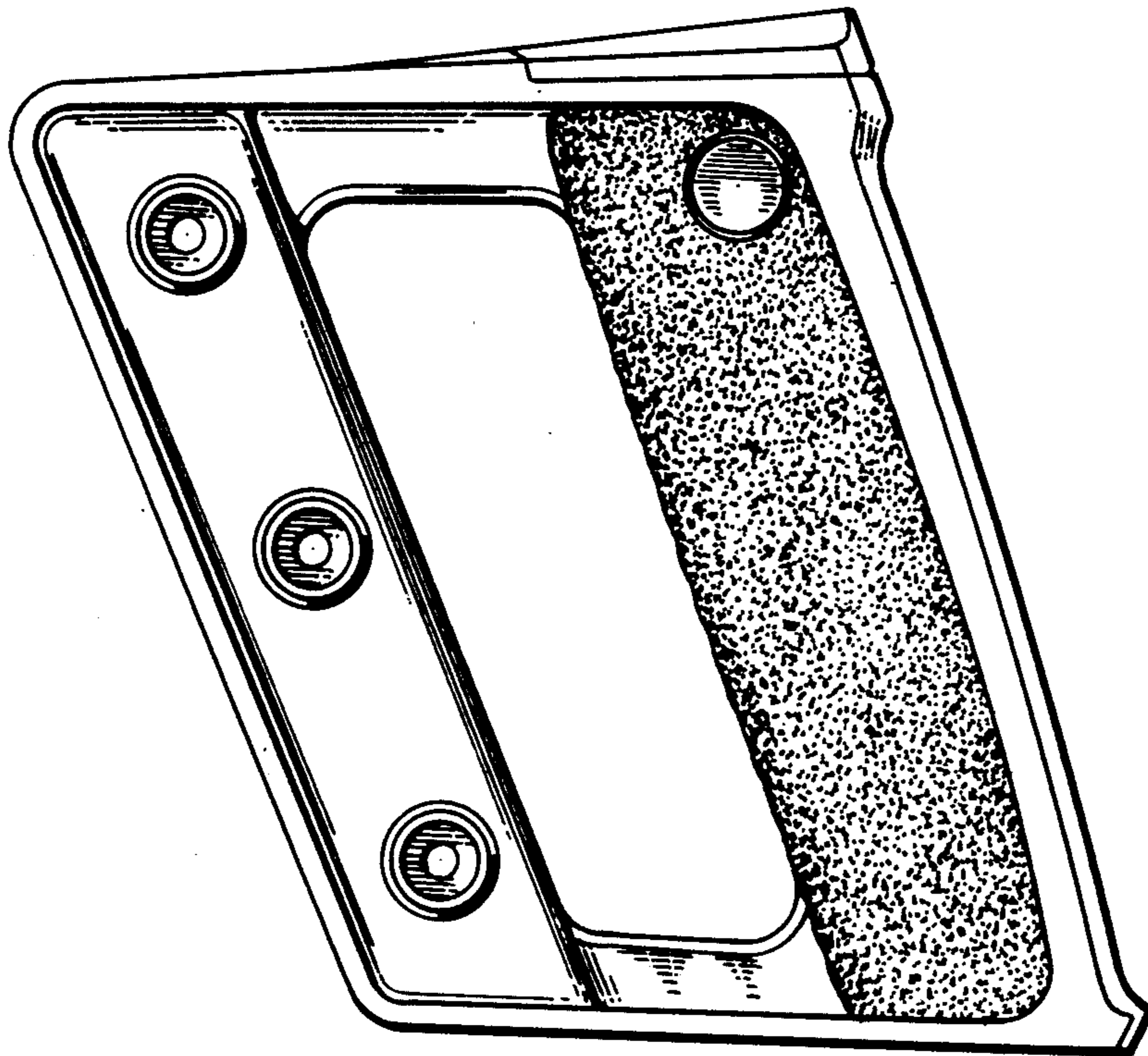
Primary Examiner—Alan P. Douglas  
 Attorney, Agent, or Firm—Ralph E. Parker

[57] **CLAIM**

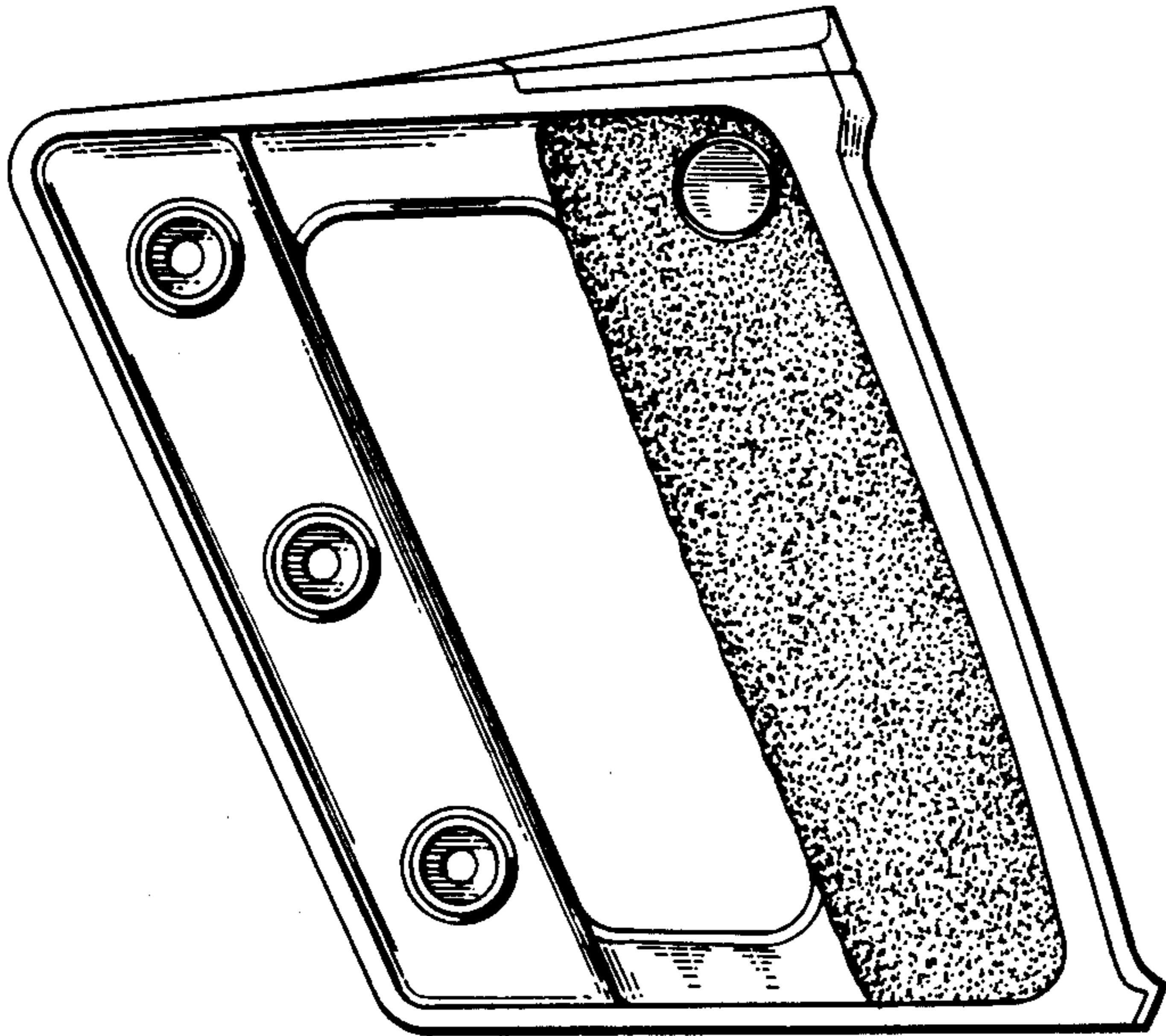
The ornamental design for a handle of a hand saw, as shown and described.

**DESCRIPTION**

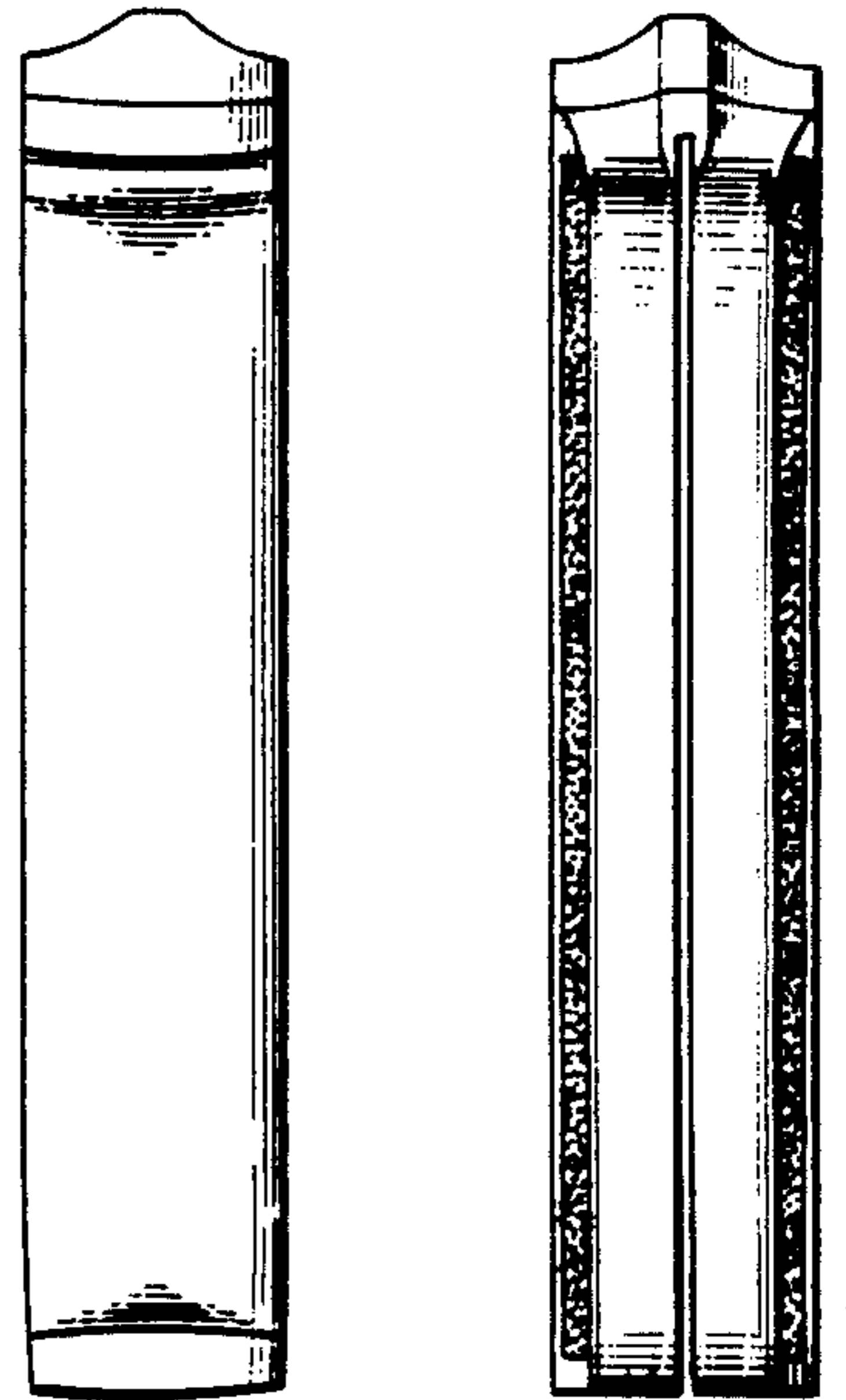
FIG. 1 is a front view of the hand saw handle;  
 FIG. 2 is a view of the back side of the handle of FIG. 1;  
 FIG. 3 is a view of the right-hand side of the handle of FIG. 1;  
 FIG. 4 is a view of the left-hand side of the handle of FIG. 1;  
 FIG. 5 is a view of the top of the cover of FIG. 1; and  
 FIG. 6 is a view of the bottom of the cover of FIG. 1.



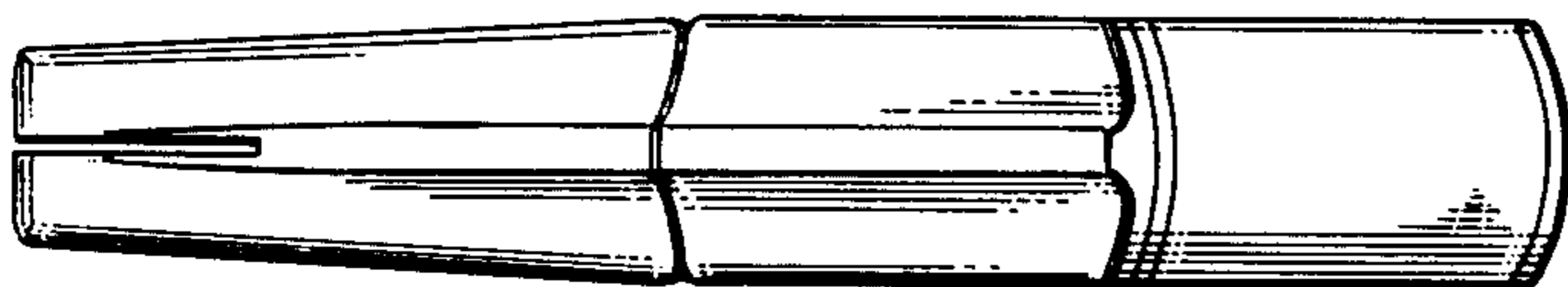
*Fig. 1*



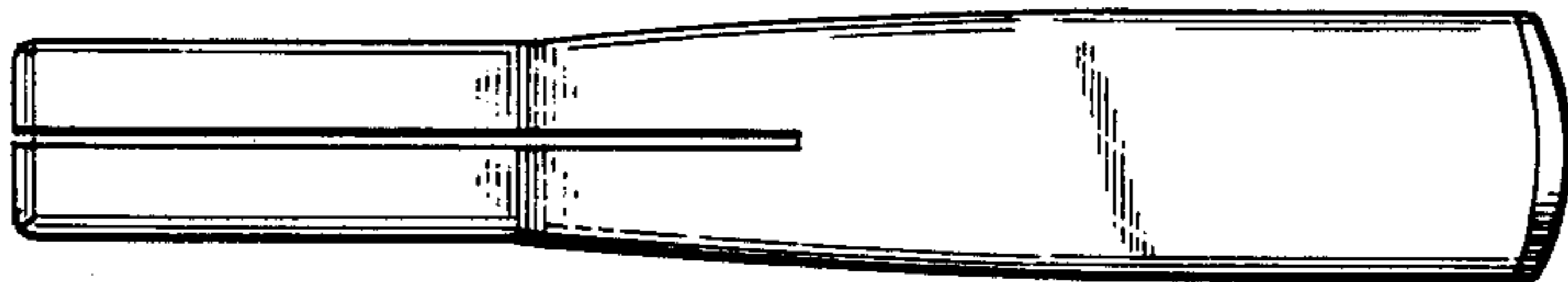
*Fig. 3*



*Fig. 4*



*Fig. 5*



*Fig. 6*

*Fig. 2*

