

- [54] **ROTARY LAWN EDGER, TRIMMER OR SIMILAR ARTICLE**
- [75] Inventor: Marnie C. Averitt, Houston, Tex.
- [73] Assignee: Weed Eater, Inc., Houston, Tex.
- [\*\*] Term: 14 Years
- [21] Appl. No.: 823,561
- [22] Filed: Aug. 11, 1977
- [51] Int. Cl. .... D8-03
- [52] U.S. Cl. .... D8/8
- [58] Field of Search ..... D8/8; 56/12.7, 295; 30/276, 347, DIG. 1; D15/12

- 4,062,114 12/1977 Luick ..... 30/276
- 4,068,376 1/1978 Briar ..... 56/12.7 X

OTHER PUBLICATIONS

Allegretti & Co., "Rota-Shear Brochure".  
 Sears Weedwacker Brochure, Bladeless Grass Trimmer, No. 7979.  
 Weed Eater Brochures, Models No. 307 & No. 407.

Primary Examiner—Bernard Ansher  
 Attorney, Agent, or Firm—Emil J. Bednar

[57] CLAIM

The ornamental design for a rotary lawn edger, trimmer or similar article, substantially as shown and described.

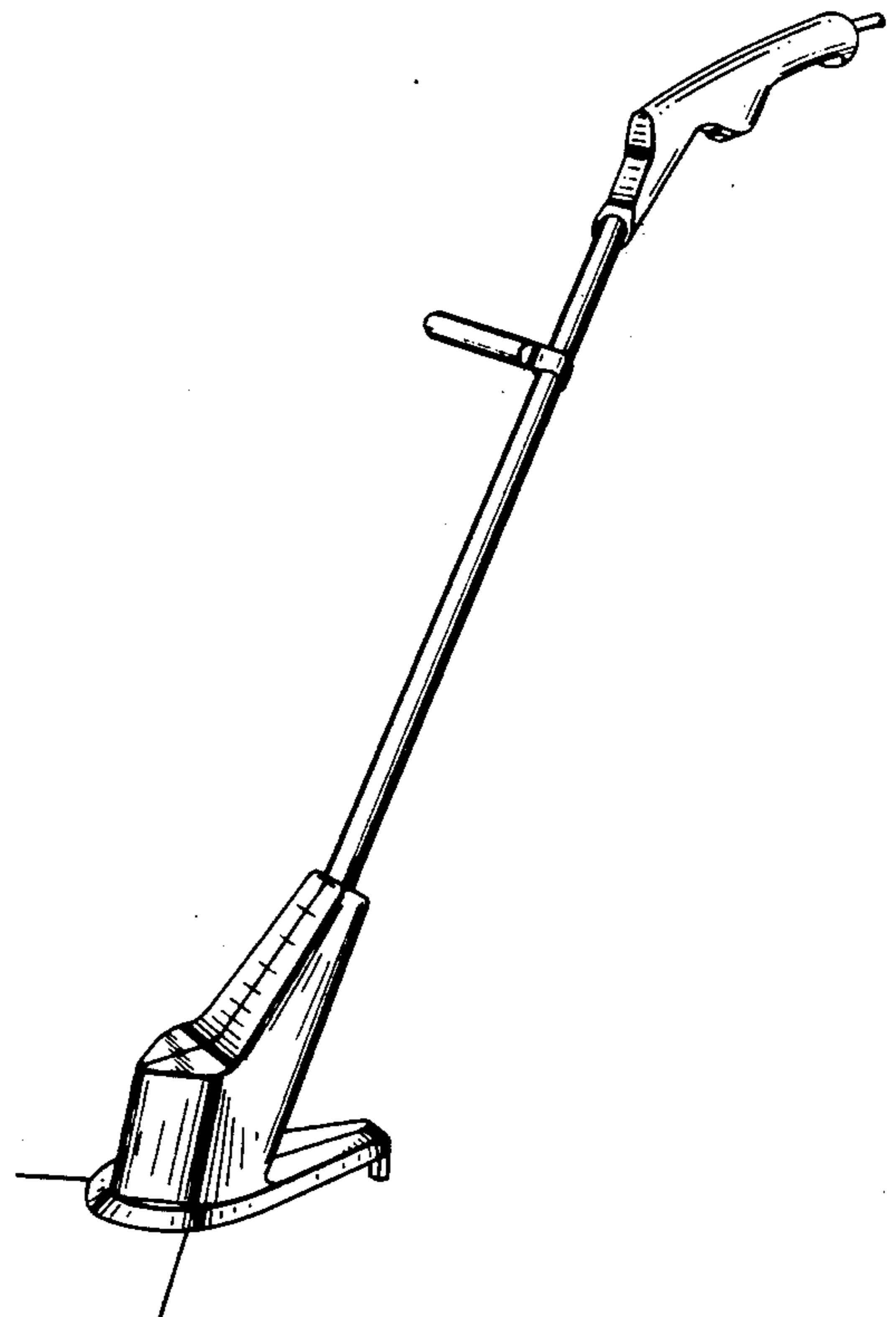
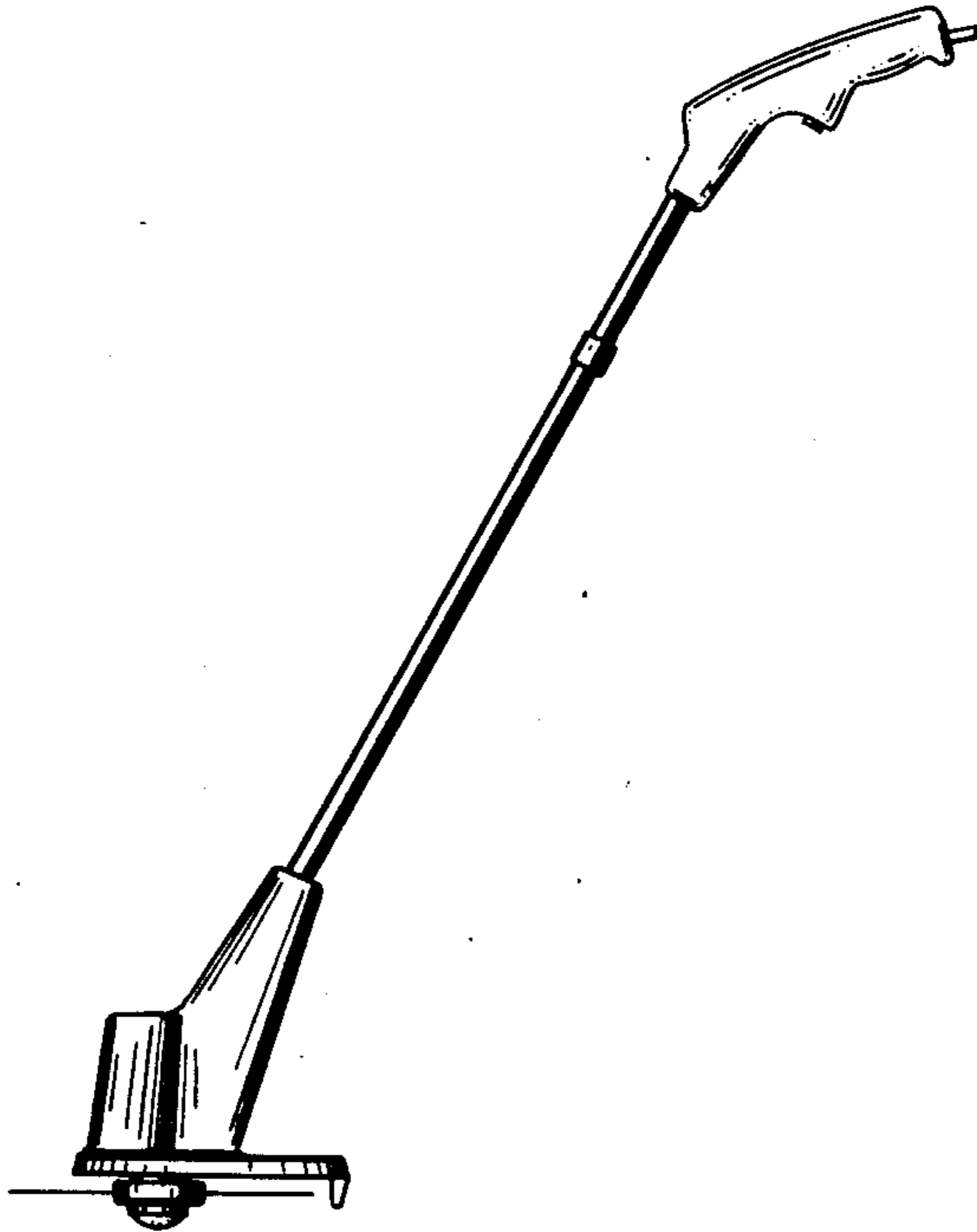
DESCRIPTION

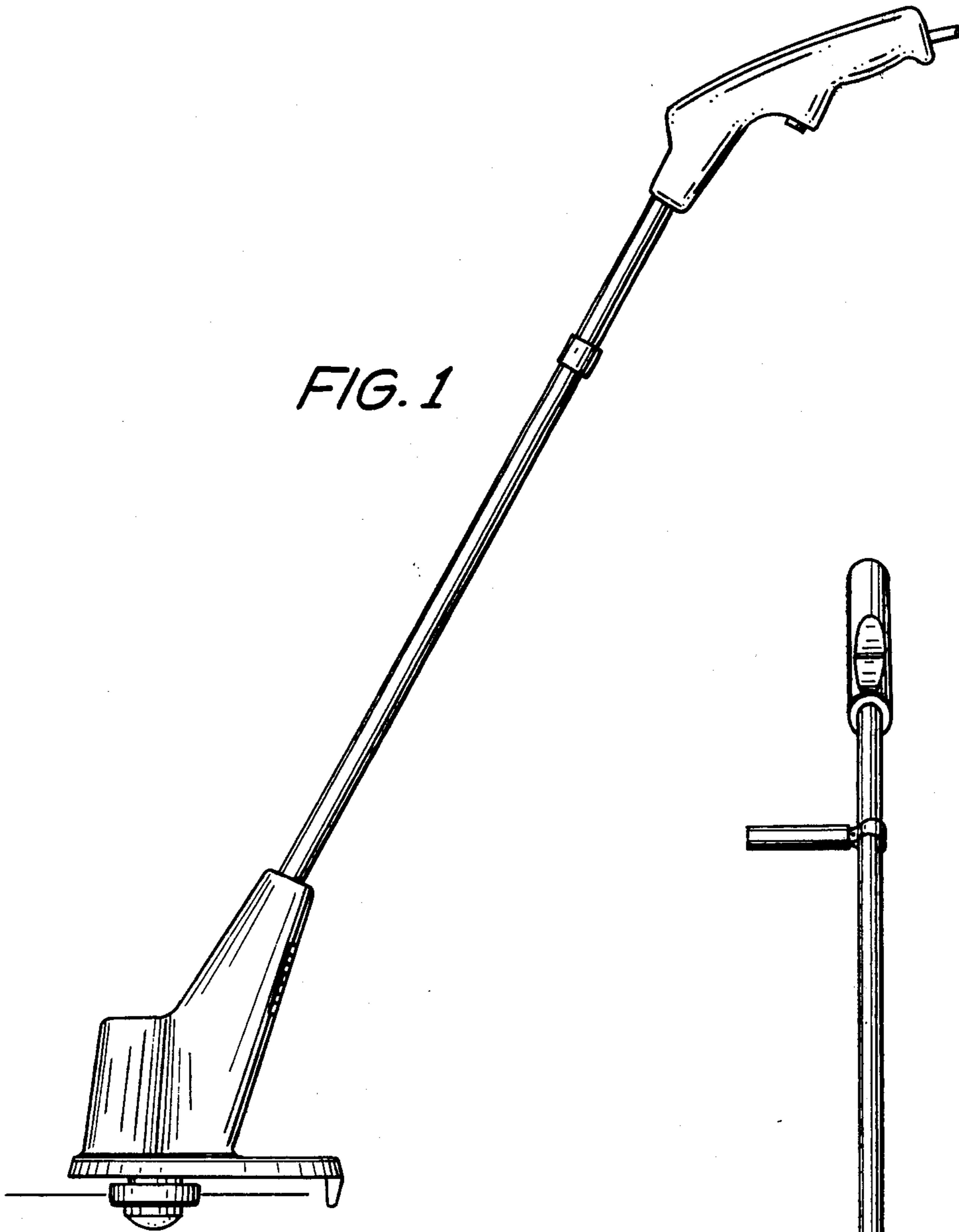
FIG. 1 is a side elevational view of a rotary lawn edger, trimmer or similar article embodying our new design; FIG. 2 is a front elevational view thereof; FIG. 3 is a top plan view thereof; FIG. 4 is a bottom plan view thereof; and FIG. 5 is an isometric view thereof.

[56] References Cited

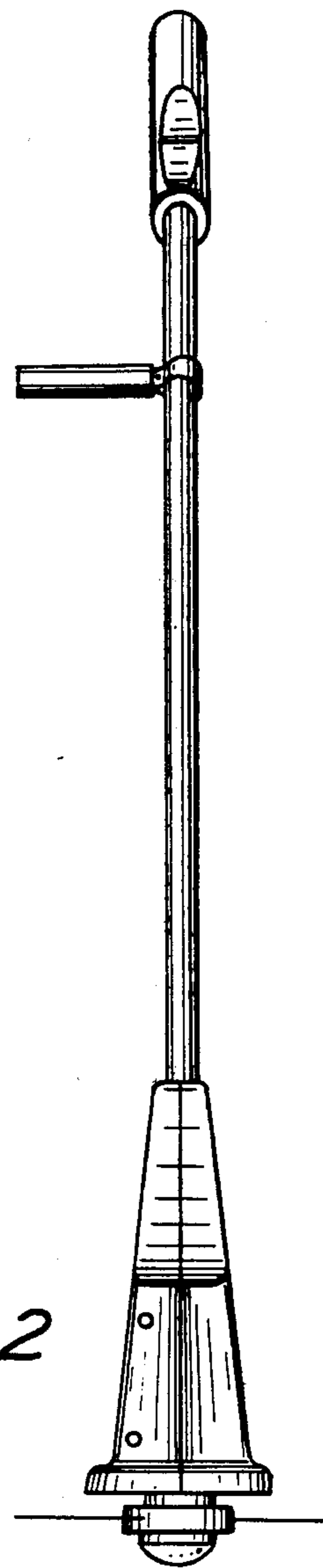
U.S. PATENT DOCUMENTS

- D. 233,820 12/1974 Bartasevich, Jr. et al. .... D8/8
- 3,831,278 8/1974 Vogelesonger ..... 56/12.7 X
- 4,052,789 10/1977 Ballas, Sr. .... 56/12.7 X
- 4,054,992 10/1977 Ballas et al. .... 30/276





*FIG. 1*



*FIG. 2*

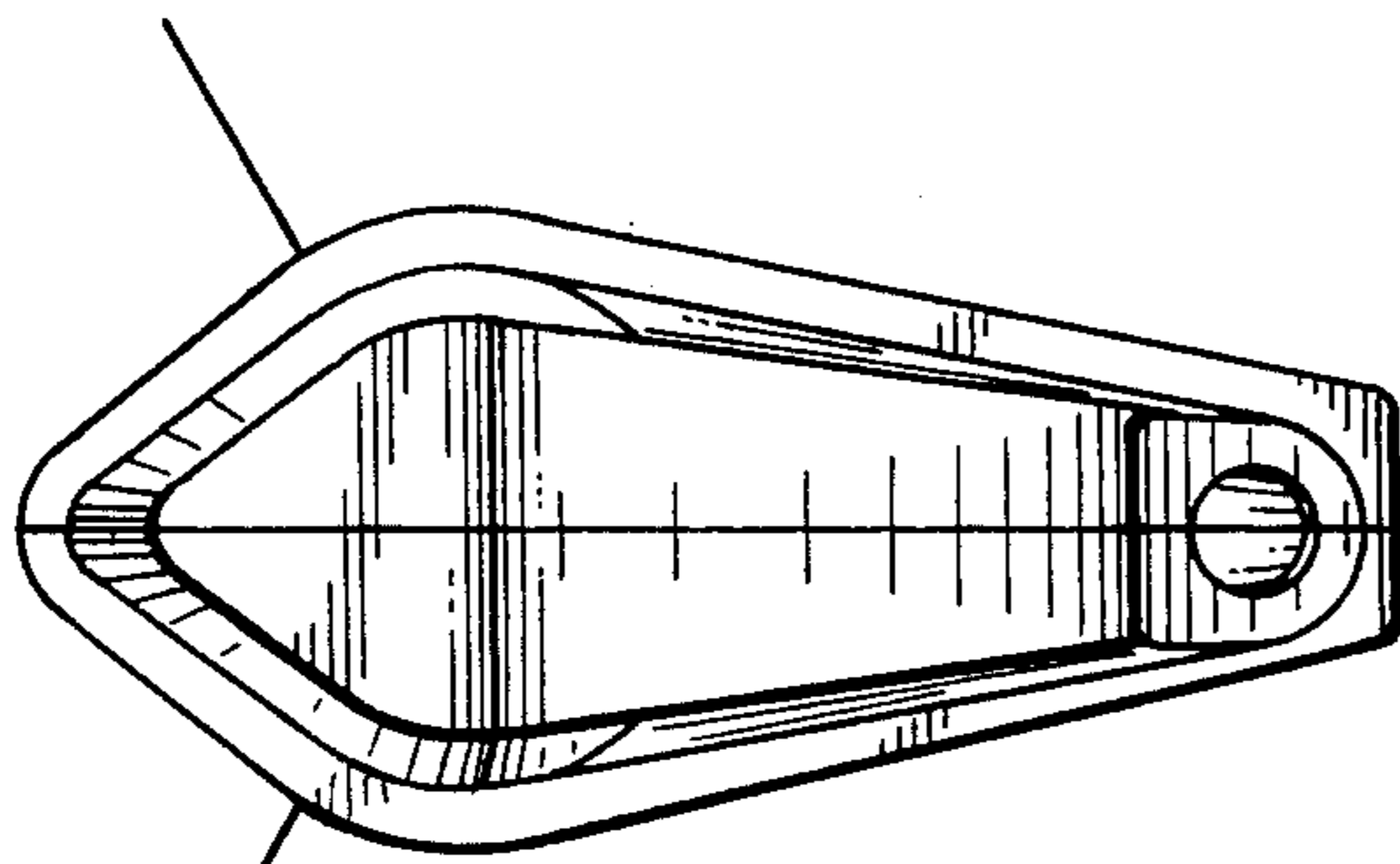


FIG. 3

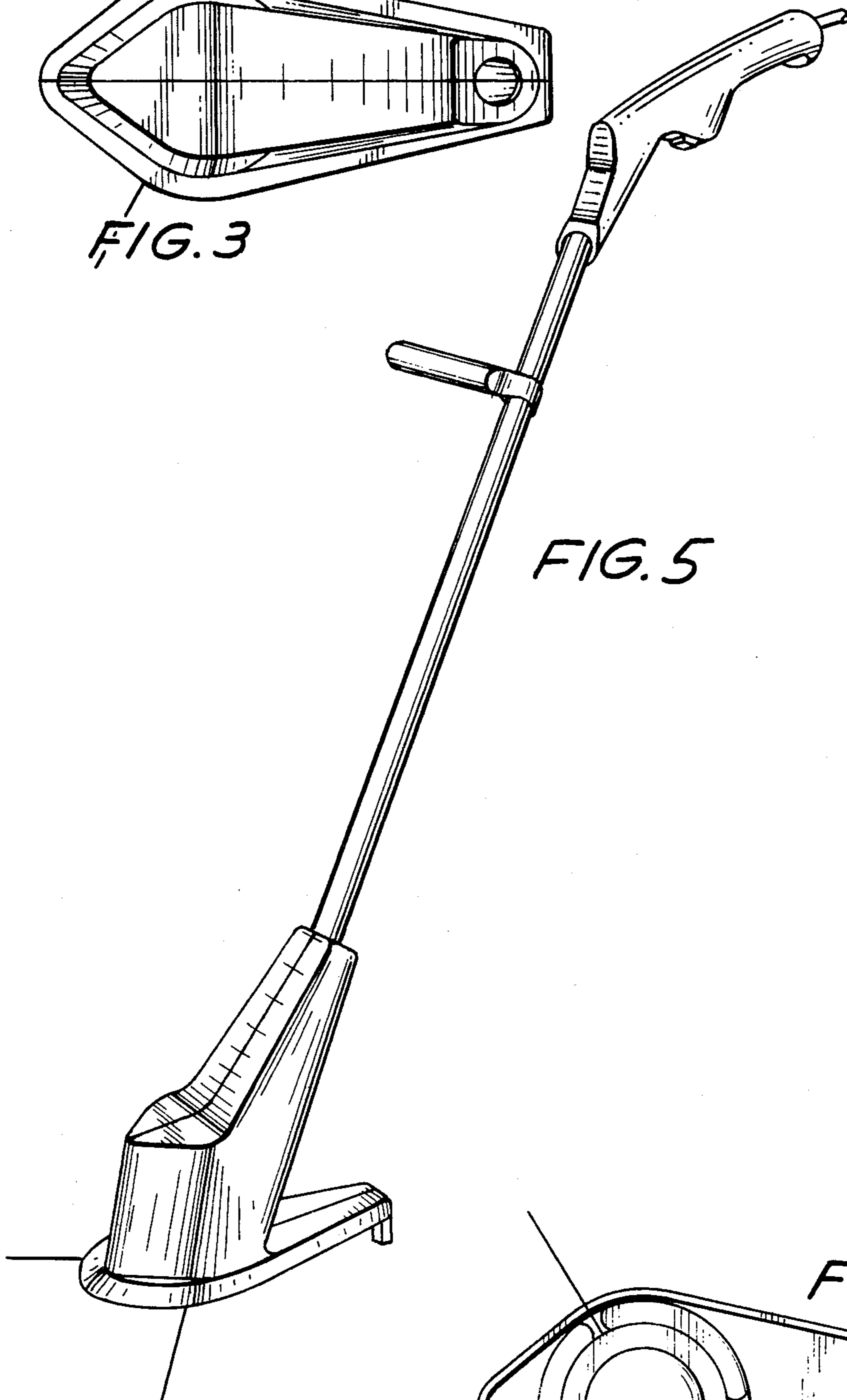


FIG. 5

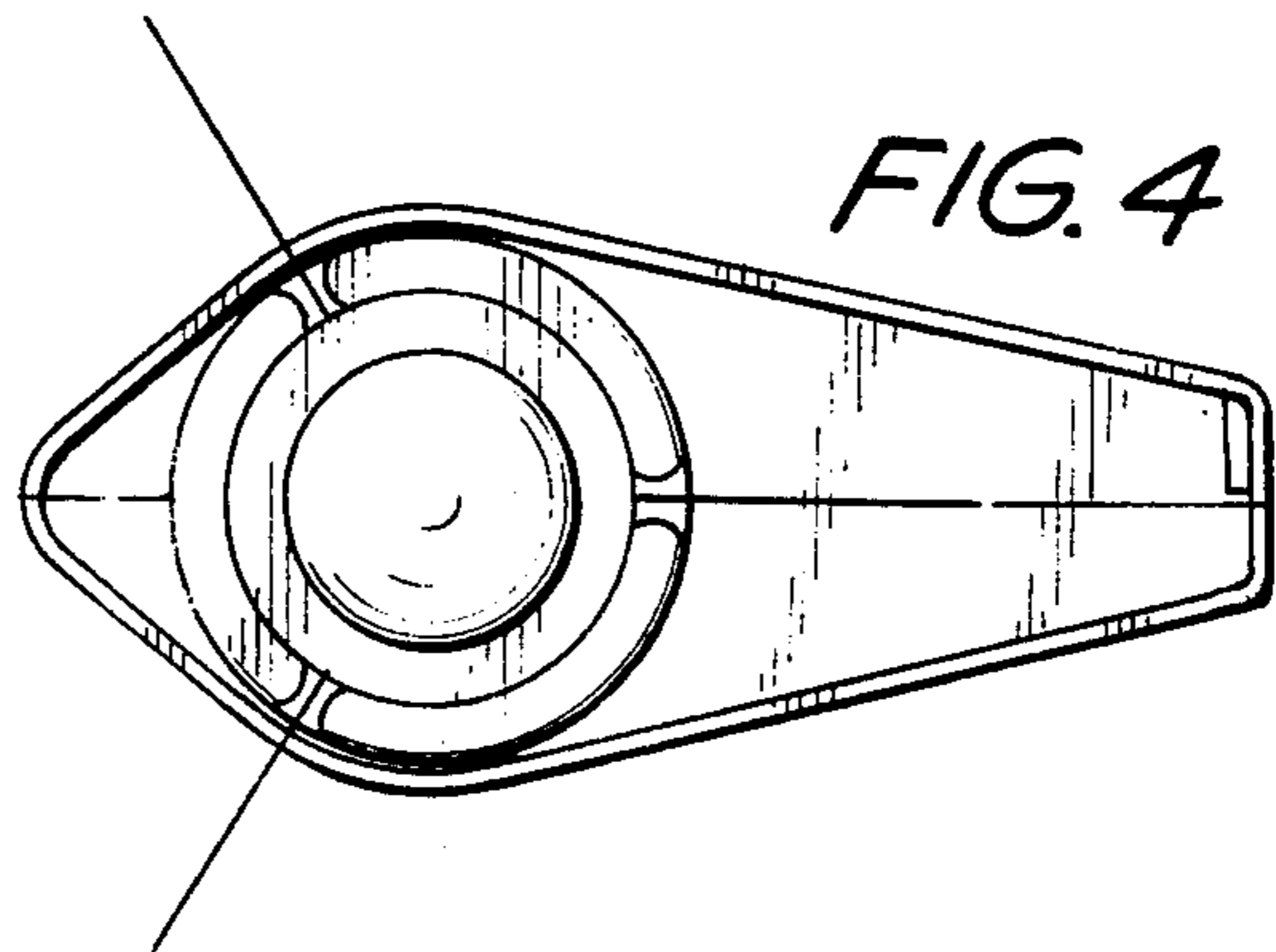


FIG. 4