

[54] **ROTARY LAWN EDGER, TRIMMER OR SIMILAR ARTICLE**

4,062,114 12/1977 Luick 30/276
4,068,376 1/1978 Briar 56/12.7 X

[75] Inventor: Marnie C. Averitt, Houston, Tex.

OTHER PUBLICATIONS

[73] Assignee: Weed Eater, Inc., Houston, Tex.

Allegretti and Co., "Rota-Shear Brochure".
Sears Weedwacker Brochure, Bladeless Grass Trimmer, No. 7979.

[**] Term: 14 Years

Weed Eater Brochures, Models No. 307 & No. 407.

[21] Appl. No.: 823,555

Primary Examiner—Bernard Ansher

[22] Filed: Aug. 11, 1977

Attorney, Agent, or Firm—Emil J. Bednar

[51] Int. Cl. D8—03

[57] **CLAIM**

[52] U.S. Cl. D8/8

The ornamental design for a rotary lawn edger, trimmer or similar article, substantially as shown and described.

[58] Field of Search D8/8; D15/12, 11;
56/12.7, 295; 30/276, 347, DIG. 1

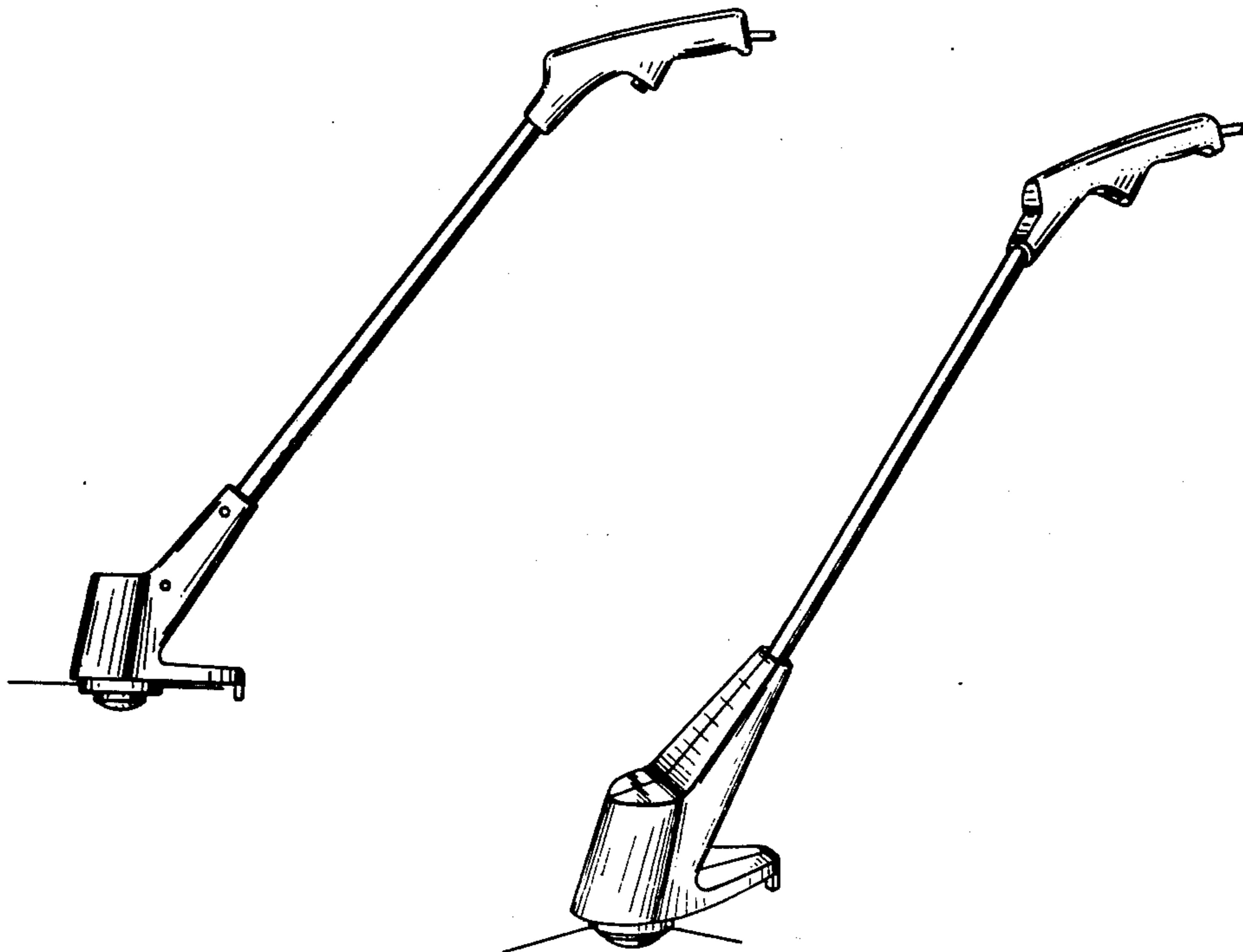
DESCRIPTION

[56] **References Cited**

U.S. PATENT DOCUMENTS

D. 233,820	12/1974	Bartasevich, Jr. et al.	D8/8
3,831,278	8/1974	Vogelsoenger	56/12.7 X
4,052,789	10/1977	Ballas, Sr.	56/12.7 X
4,054,992	10/1977	Ballas et al.	30/276

FIG. 1 is a side elevational view of a rotary lawn edger, trimmer or similar article embodying our new design; FIG. 2 is a front elevational view thereof; FIG. 3 is a top plan view thereof; FIG. 4 is a bottom plan view thereof; and FIG. 5 is an isometric view thereof.



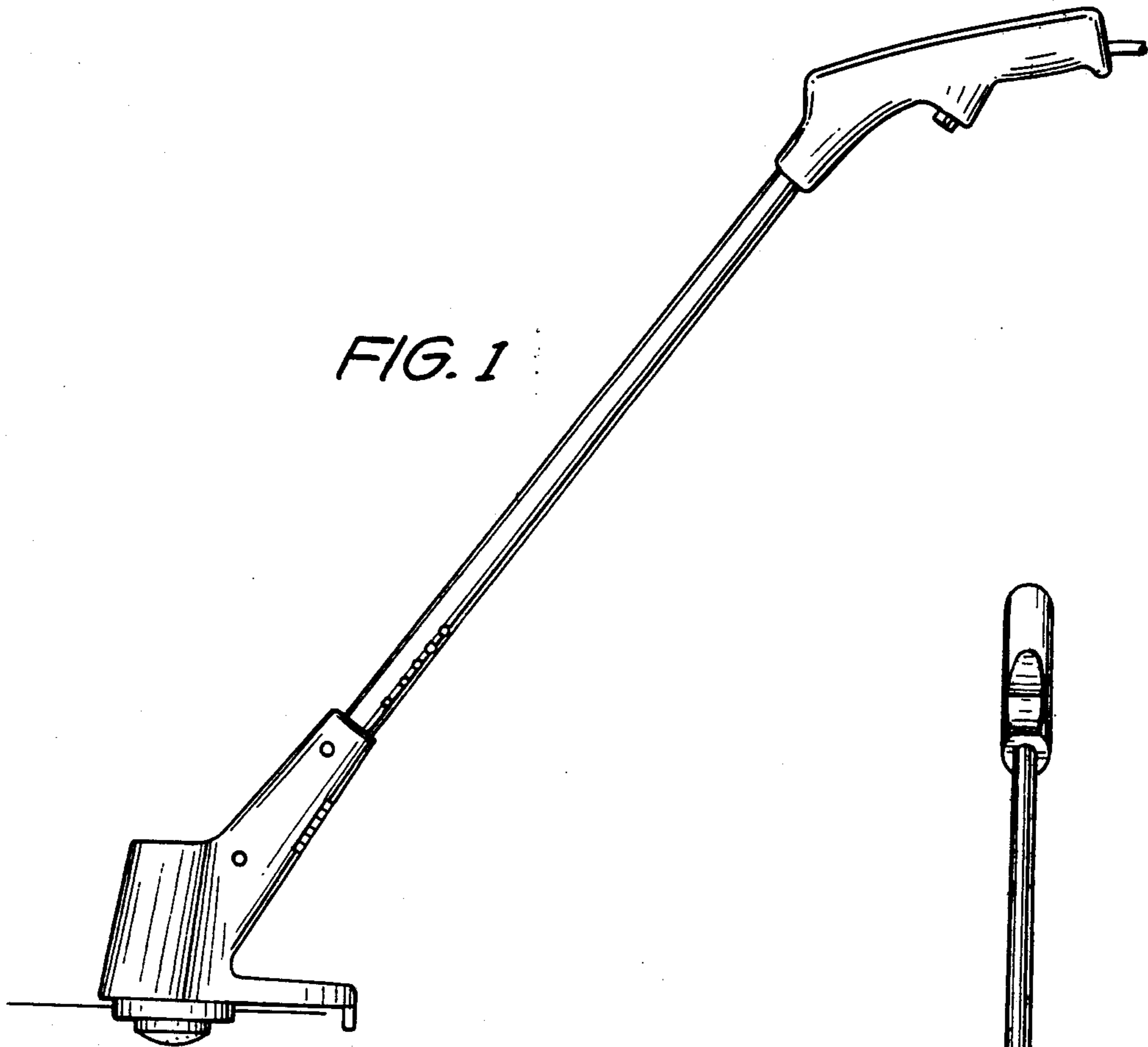


FIG. 1

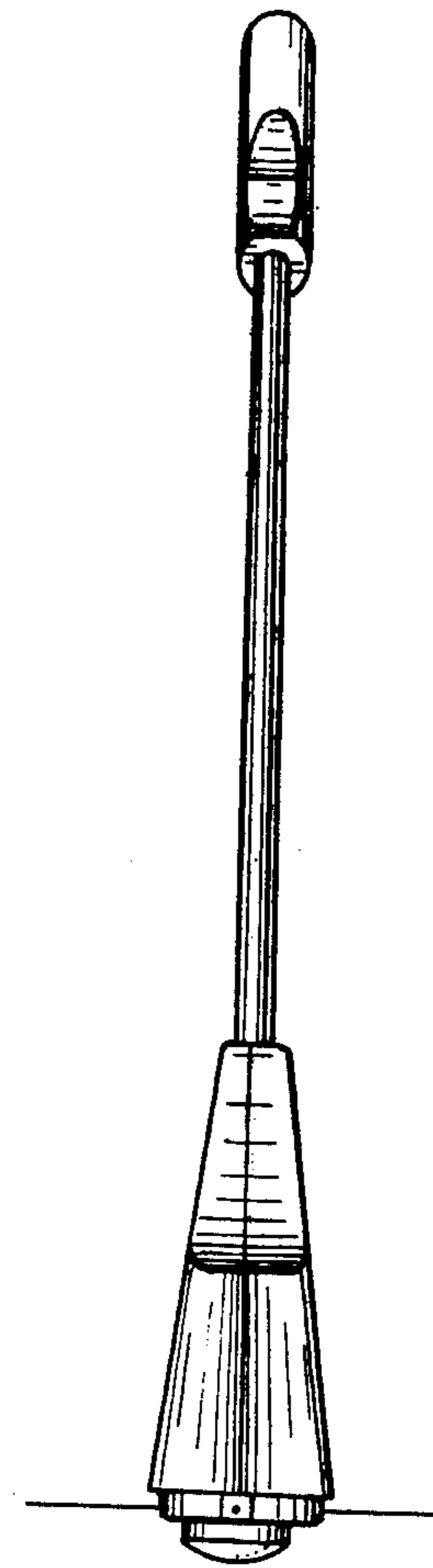


FIG. 2

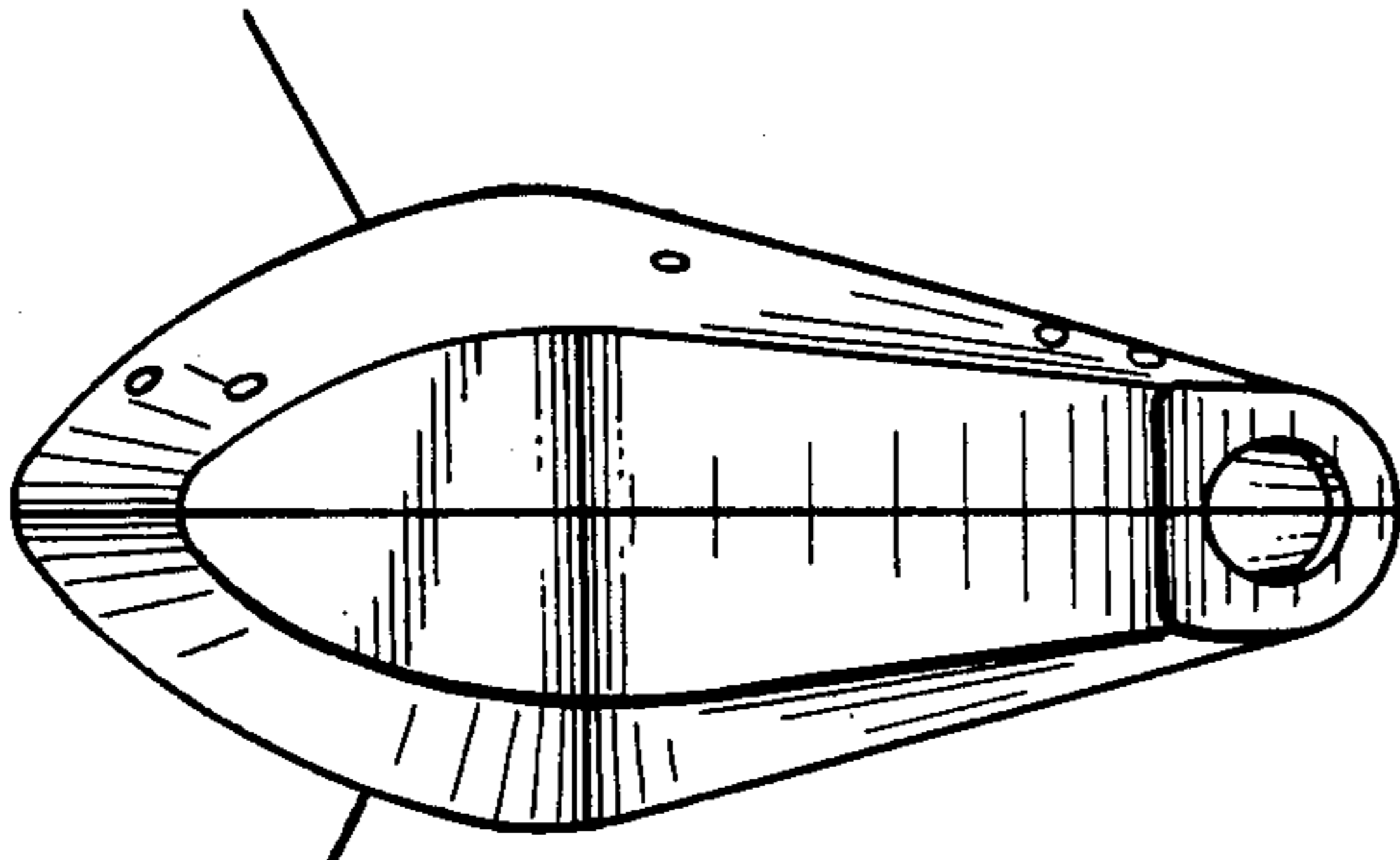


FIG. 3

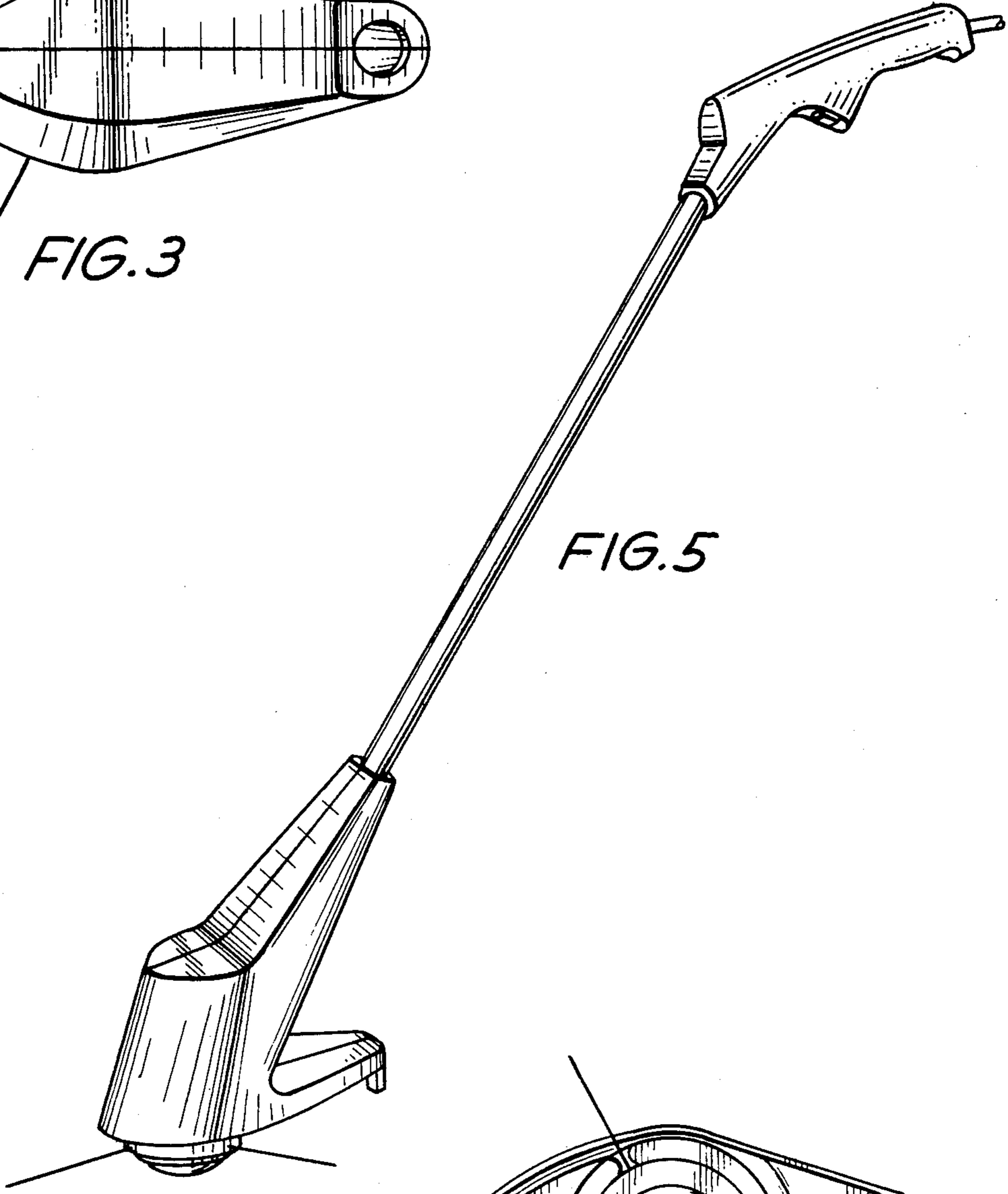


FIG. 5

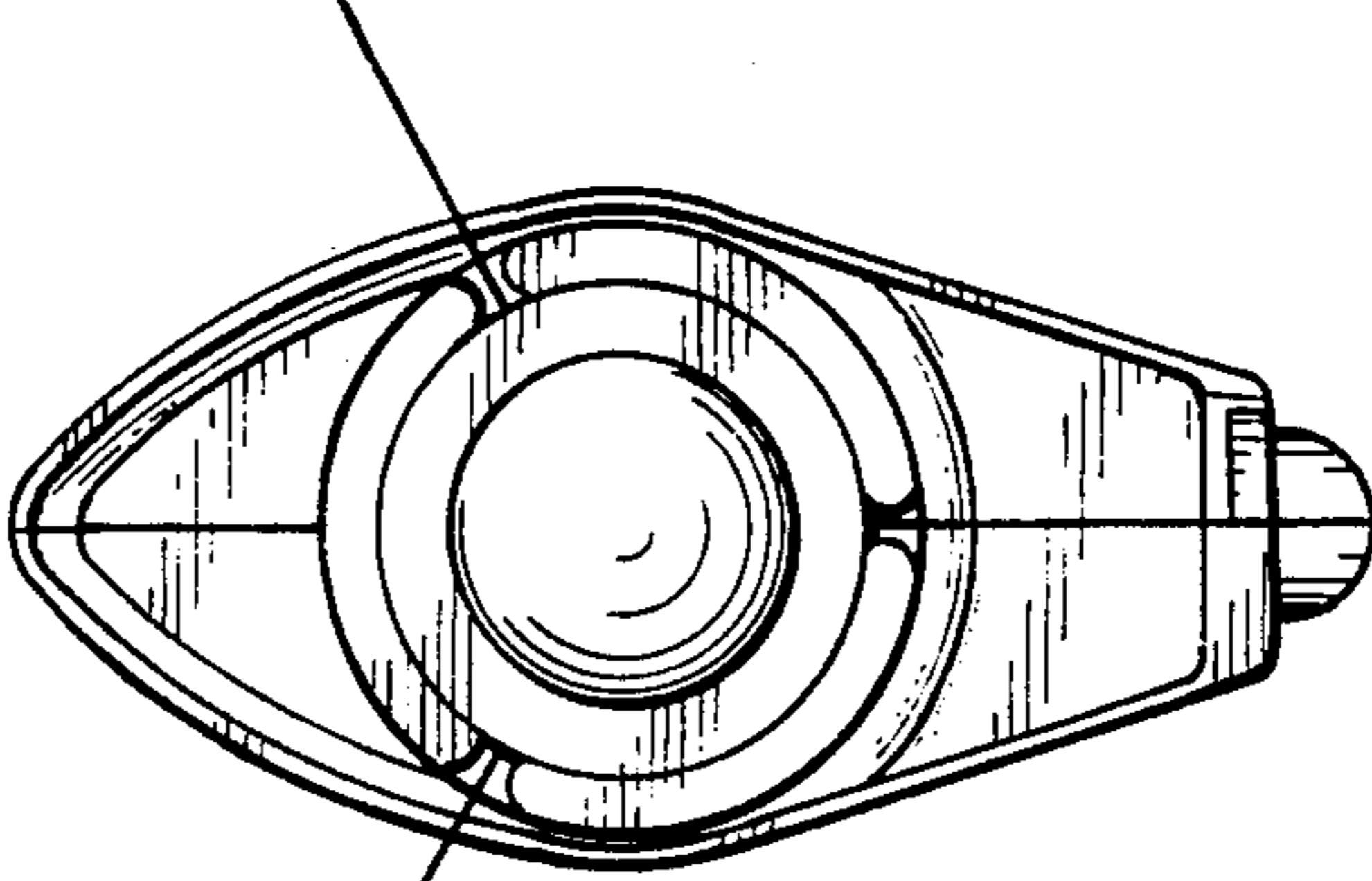


FIG. 4