

[54] STORAGE CONTAINER

[76] Inventor: Robert K. Washburn, 7166 Woodrow Wilson Dr., Hollywood, Calif. 90068

[\*\*] Term: 14 Years

[21] Appl. No.: 770,946

[22] Filed: Feb. 22, 1977

[51] Int. Cl. .... D9-03

[52] U.S. Cl. .... D9/222

[58] Field of Search ..... D9/216, 222, 237-240, D9/249, 18, 184-189; 220/1 R, 20; 229/93

[56] References Cited

U.S. PATENT DOCUMENTS

- D. 96,468 8/1935 Guttman ..... D9/239
- D. 115,047 5/1939 Matthey ..... D9/239 X

- D. 185,388 6/1959 Peters ..... D9/18
- D. 208,377 8/1967 Wagner et al. .... D9/216
- 1,999,328 4/1935 Lessard ..... D9/216 X

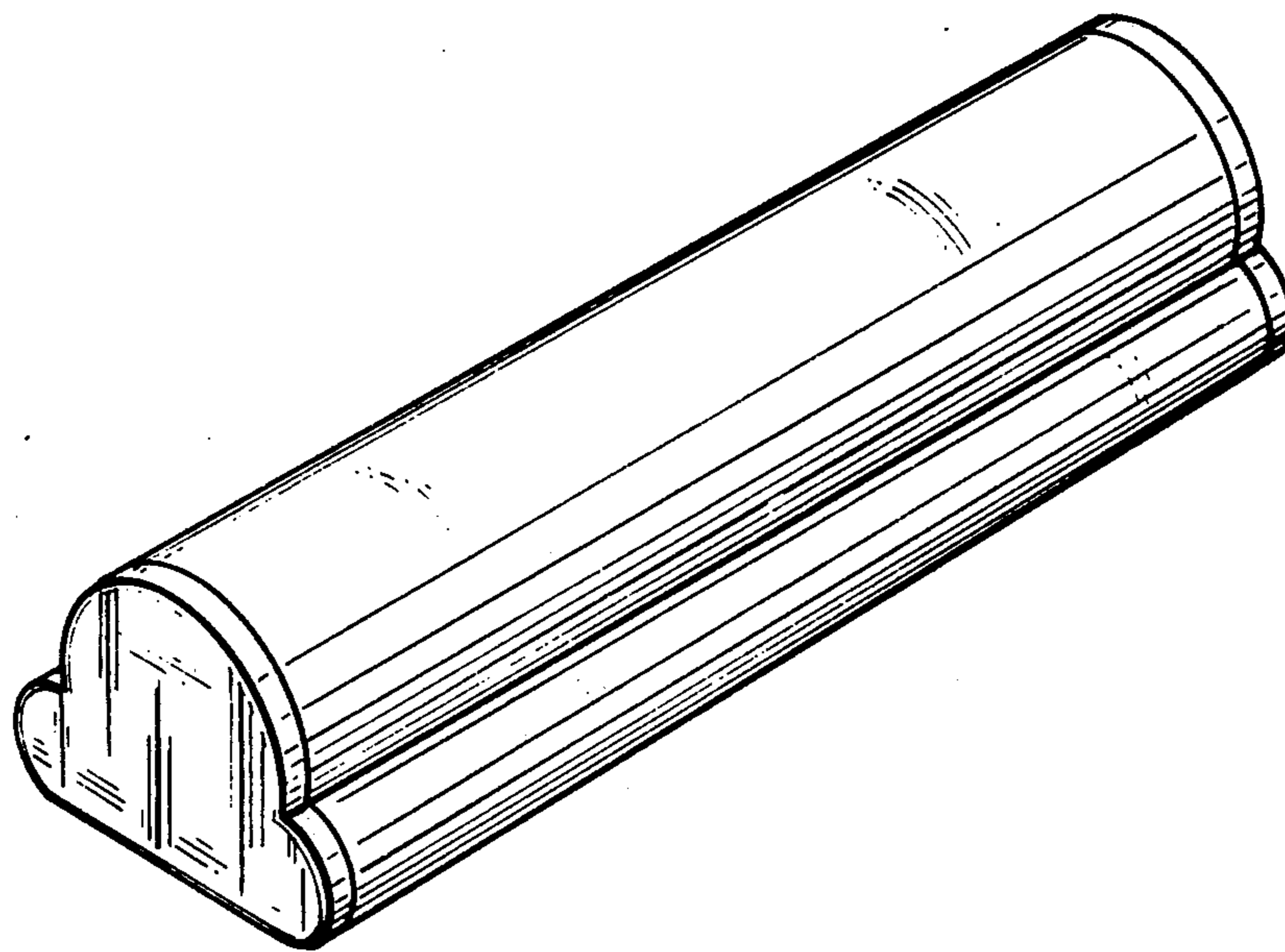
Primary Examiner—Robert C. Spangler  
Attorney, Agent, or Firm—Ralph B. Pastoriza

[57] CLAIM

The ornamental design for a storage container, substantially as shown.

DESCRIPTION

FIG. 1 is a perspective view of a storage container showing my new design;  
FIG. 2 is an end elevational view thereof;  
FIG. 3 is a top plan view thereof;  
FIG. 4 is a bottom plan view thereof;  
FIG. 5 is a side elevational view thereof; and  
FIG. 6 is a cross section thereof on the line 6-6 of FIG. 3.



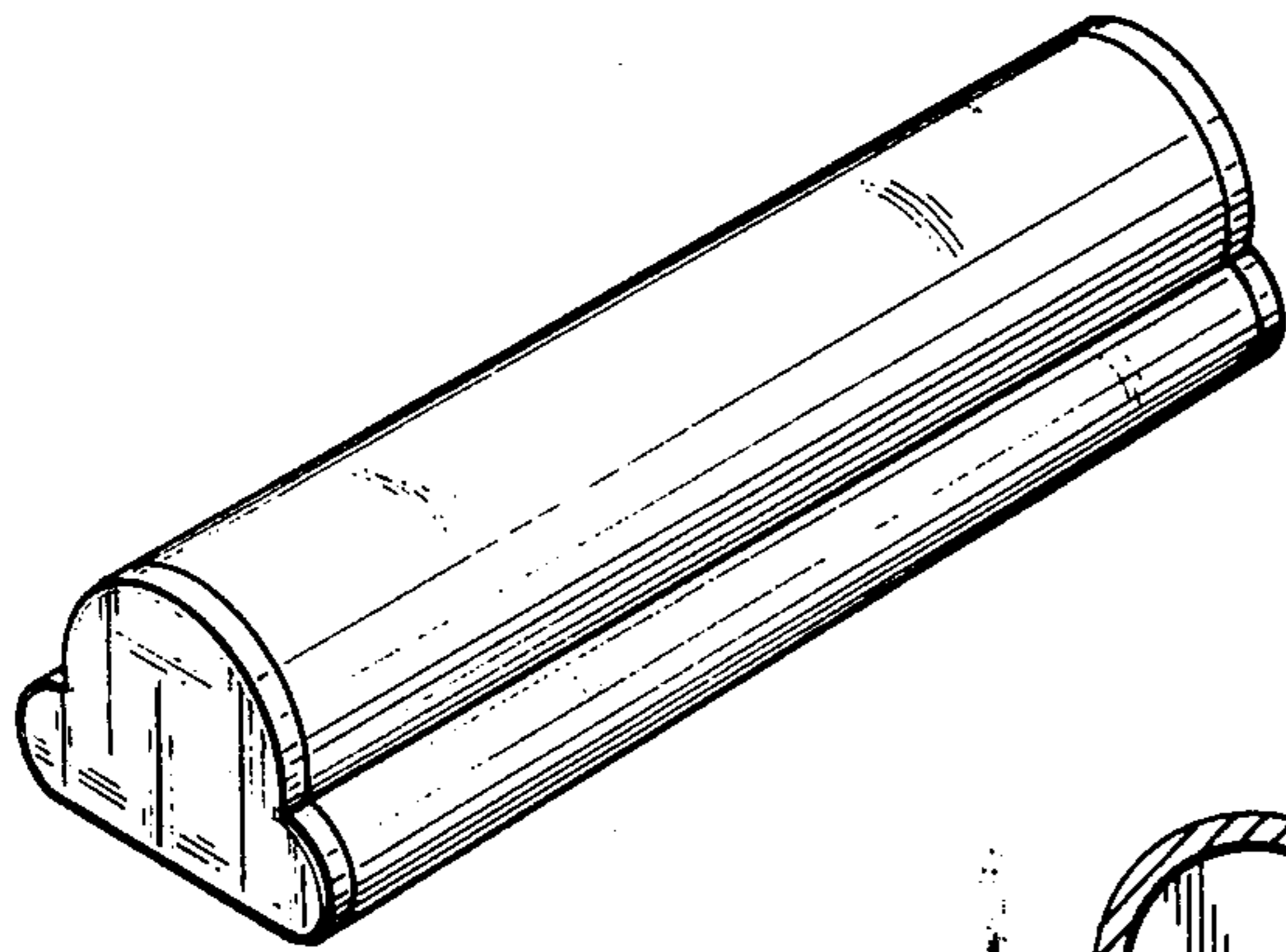


FIG. 1

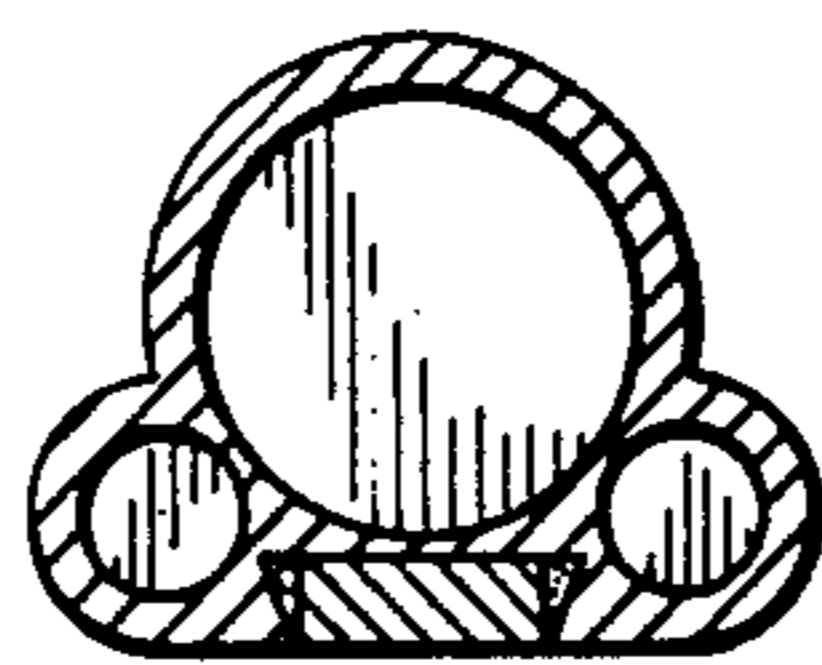


FIG. 6

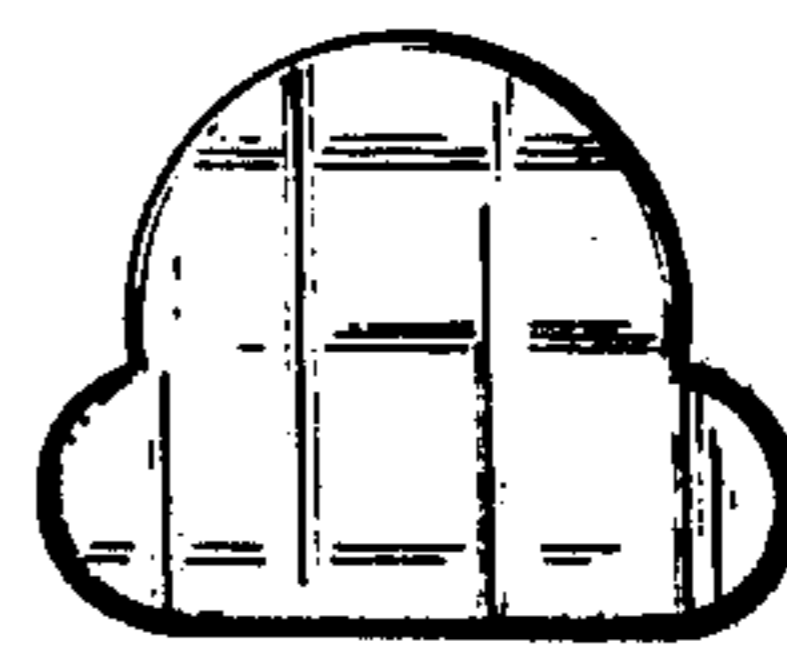


FIG. 2

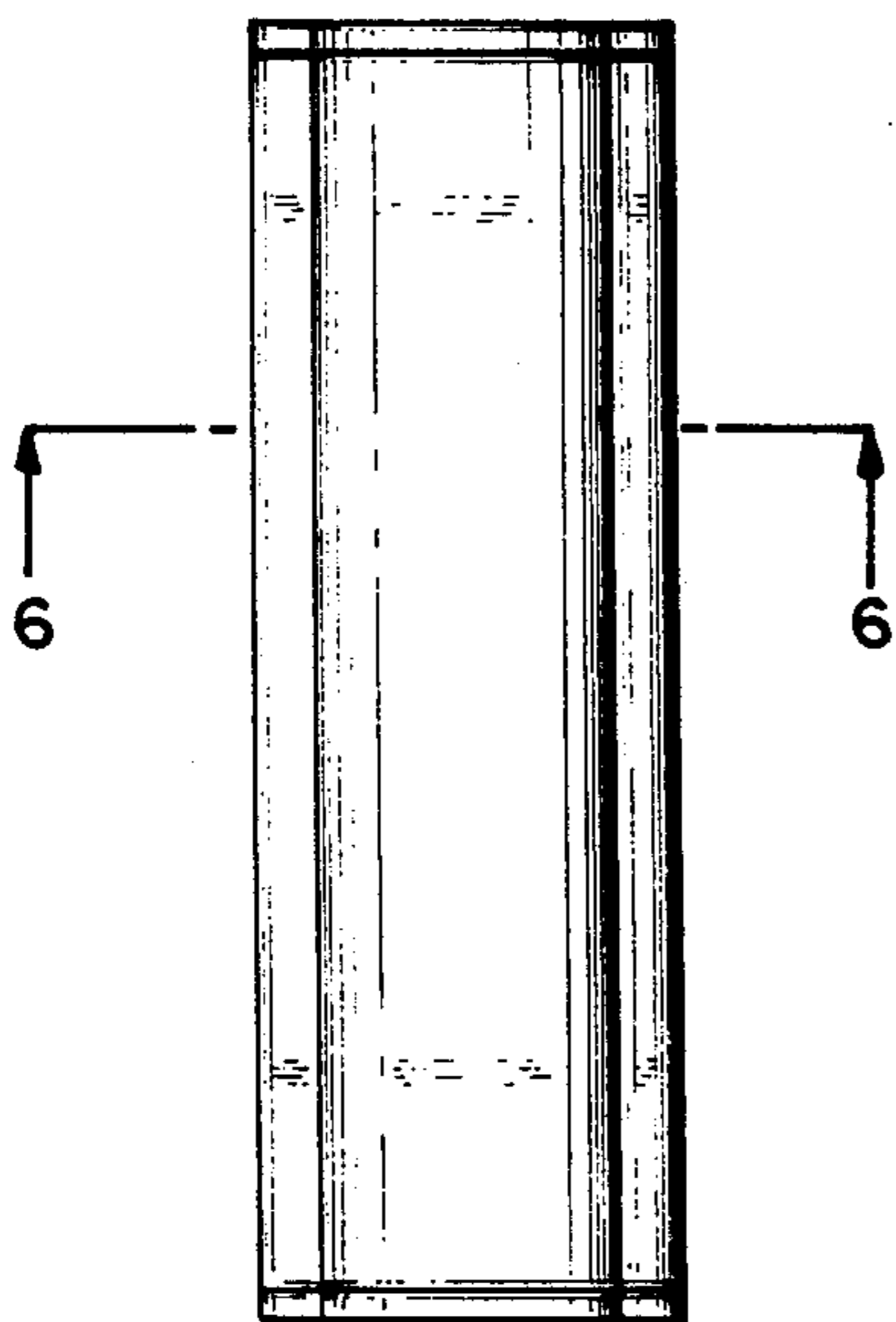


FIG. 3

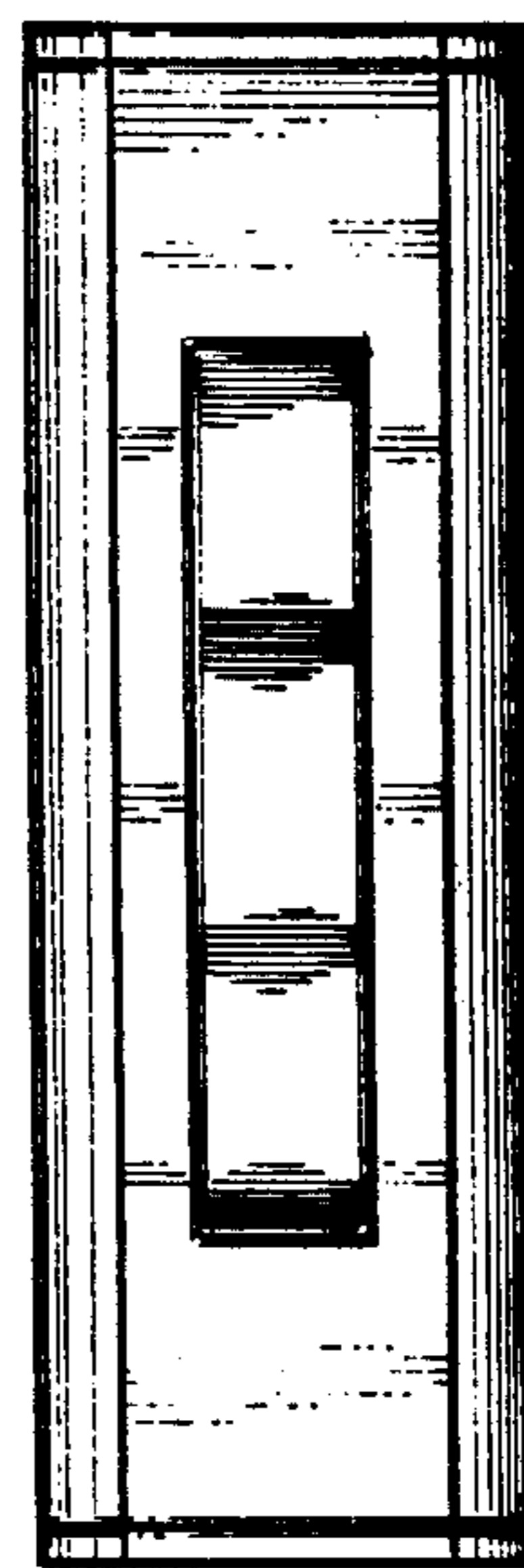


FIG. 4

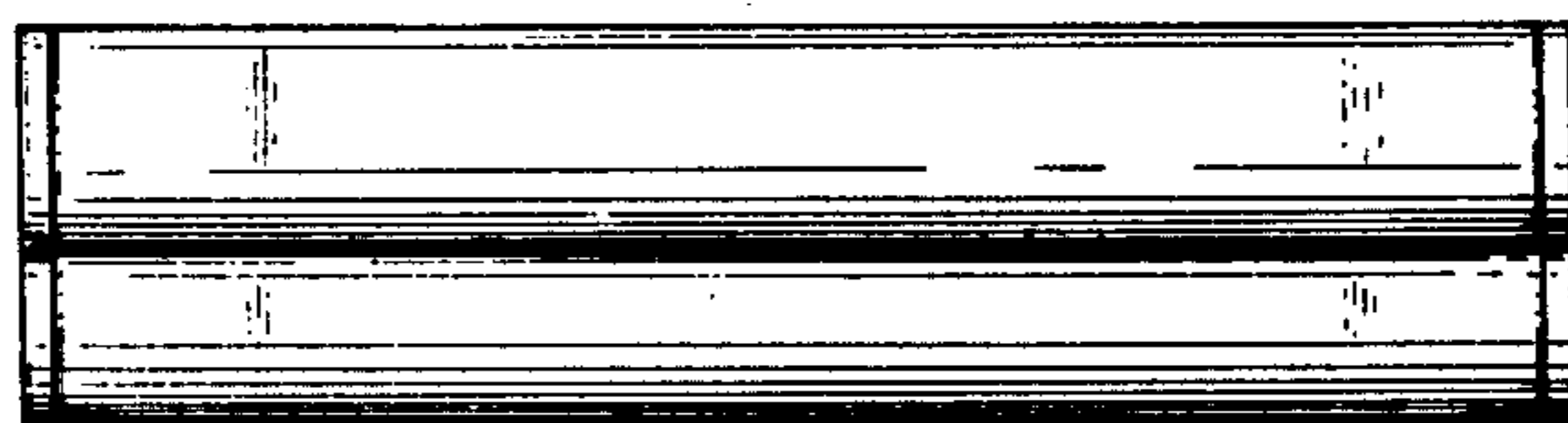


FIG. 5