

[54] FRUIT BASKET OR THE LIKE

[75] Inventor: John Florian, Bakersfield, Calif.

[73] Assignee: Mobil Oil Corporation, New York, N.Y.

[**] Term: 14 Years

[21] Appl. No.: 742,395

[22] Filed: Nov. 15, 1976

[51] Int. Cl. D9-03

[52] U.S. Cl. D9/219; D9/243; D9/189

[58] Field of Search 229/2.5, 4.5 M, 29 M, 229/30; D9/219, 242-243, 184-189

[56] References Cited

U.S. PATENT DOCUMENTS

| | | | | |
|------------|---------|-----------------|-------|----------|
| D. 195,602 | 7/1963 | Bostrom | | D9/187 |
| D. 219,263 | 11/1970 | Castelli et al. | | D9/189 |
| D. 237,841 | 11/1975 | Di Bartolo | | D9/184 X |
| 2,814,427 | 11/1957 | Emery | | 229/2.5 |

| | | | | |
|-----------|---------|-----------|-------|-----------|
| 3,058,643 | 10/1962 | Wilson | | D9/184 X |
| 3,778,516 | 12/1973 | Cornelius | | 229/2.5 X |

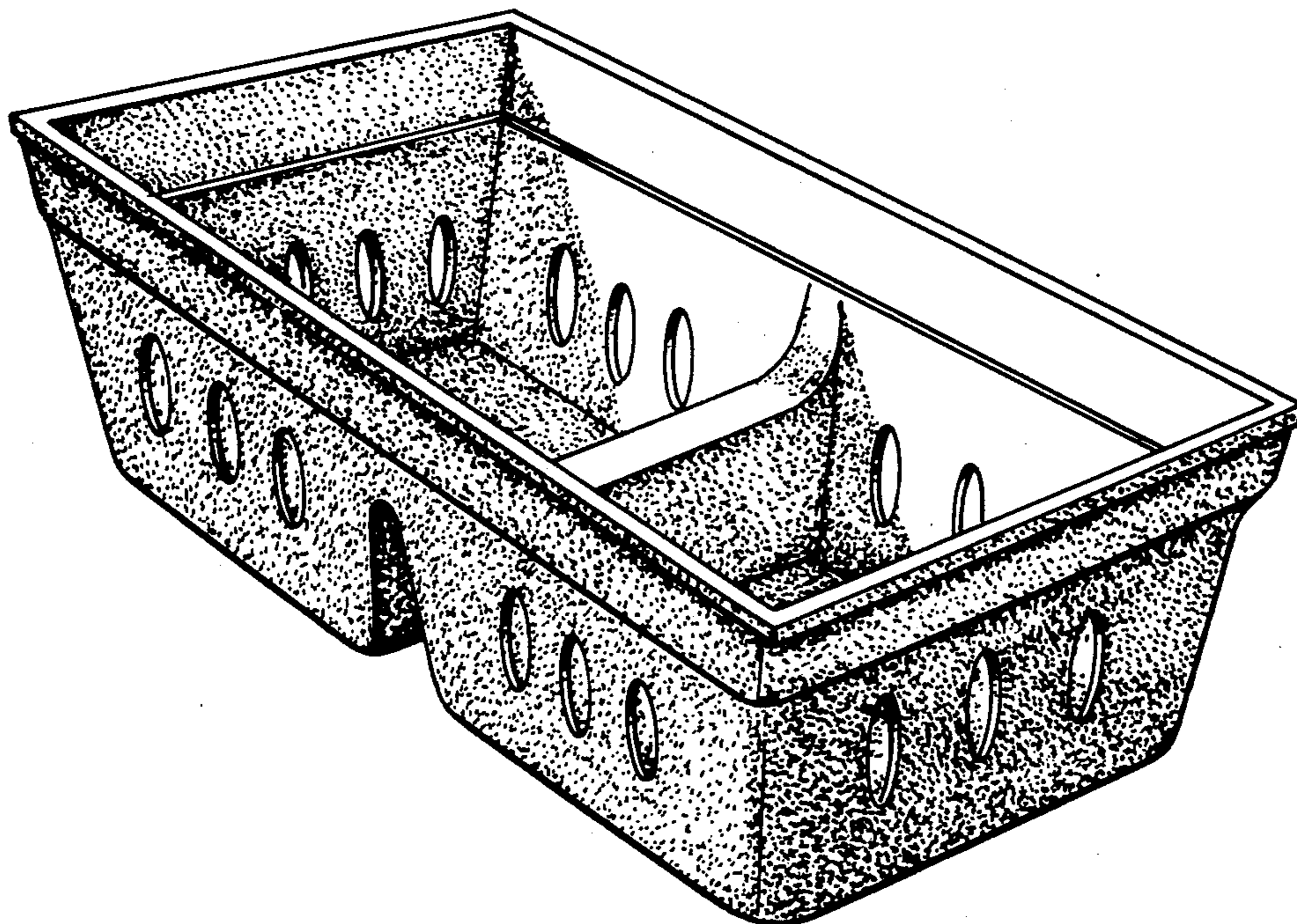
Primary Examiner—Robert C. Spangler
Attorney, Agent, or Firm—Charles A. Huggett

[57] CLAIM

The ornamental design for a fruit basket or the like, substantially as shown and described.

DESCRIPTION

FIG. 1 is a perspective view of a fruit basket or the like showing my new design;
FIG. 2 is a side view thereof;
FIG. 3 is an end view thereof;
FIG. 4 is a top plan view thereof;
FIG. 5 is a cross-sectional view taken on line 5—5 of FIG. 4;
FIG. 6 is a cross-sectional view taken on line 6—6 of FIG. 4;
FIG. 7 is a bottom plan view; and
FIG. 8 is a perspective view showing an alternate embodiment wherein the air-circulation ports have been omitted.



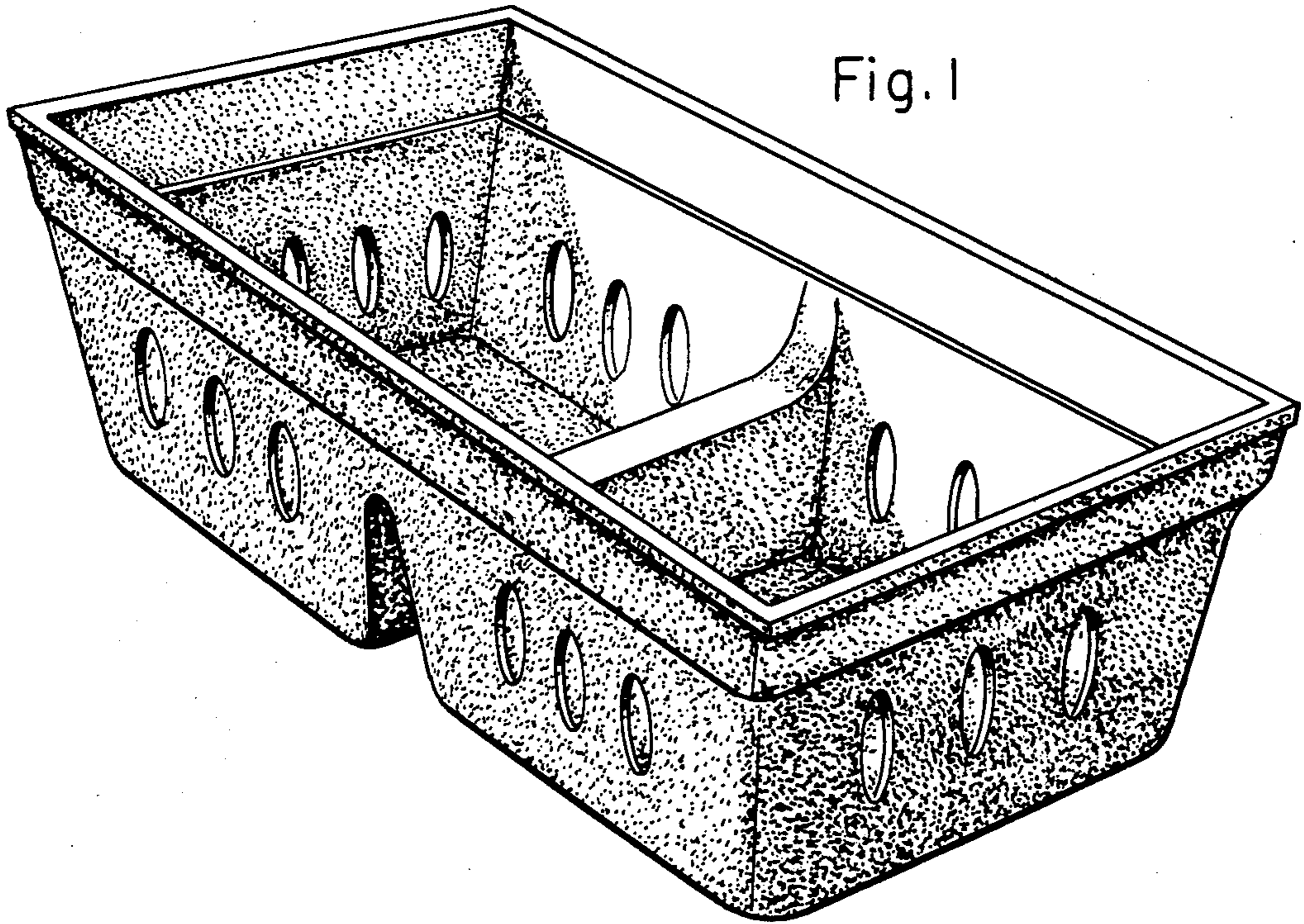


Fig. 1

Fig. 2

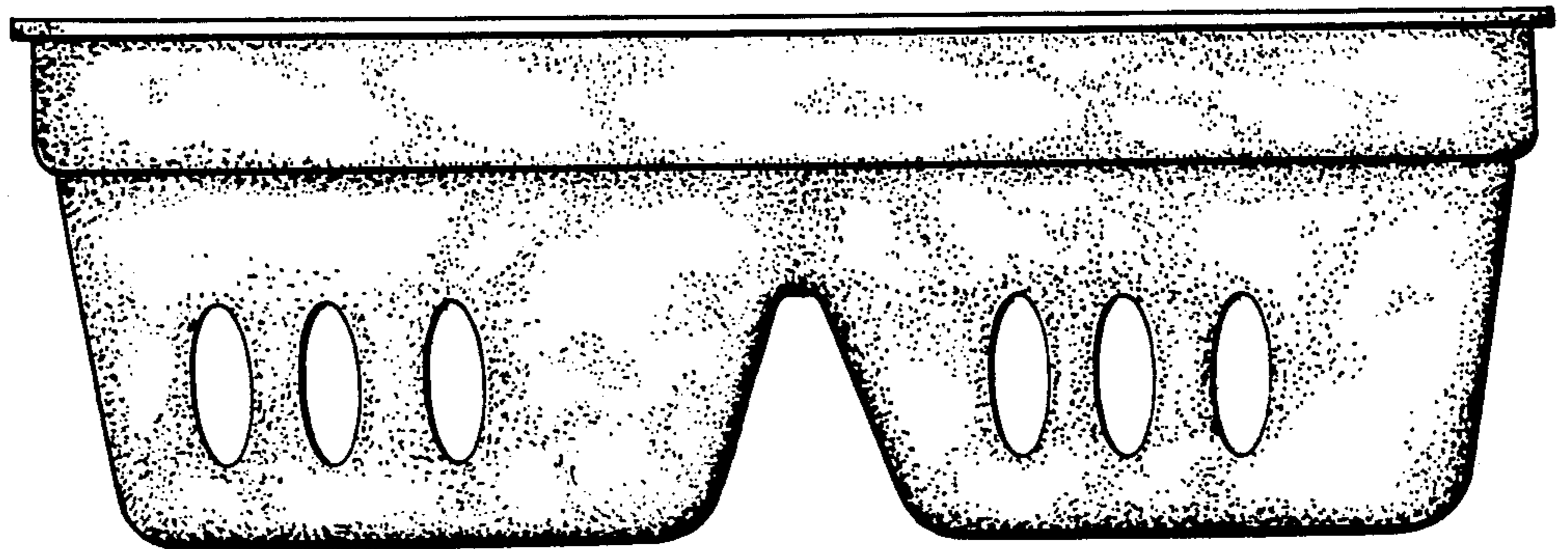
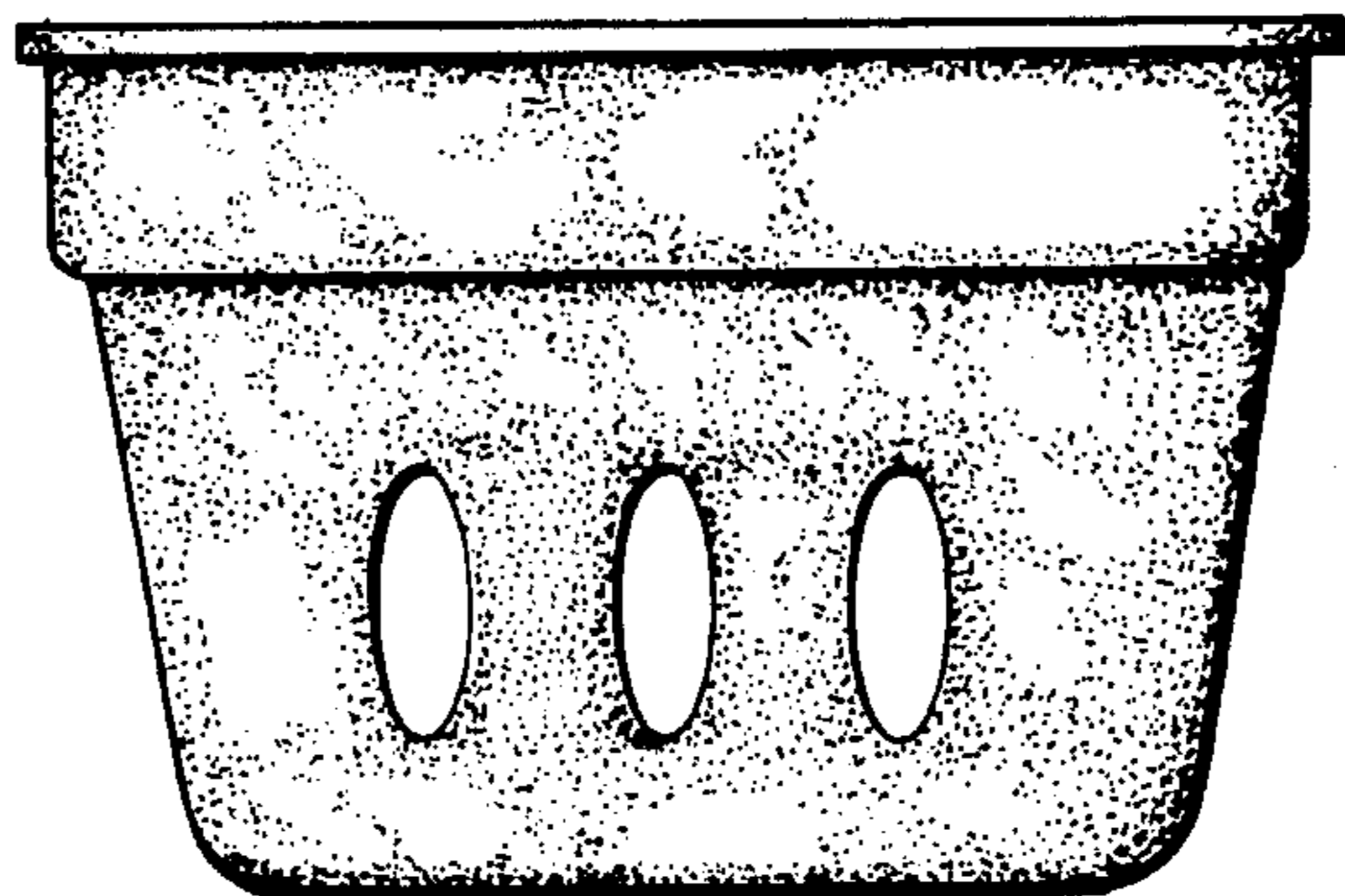


Fig. 3



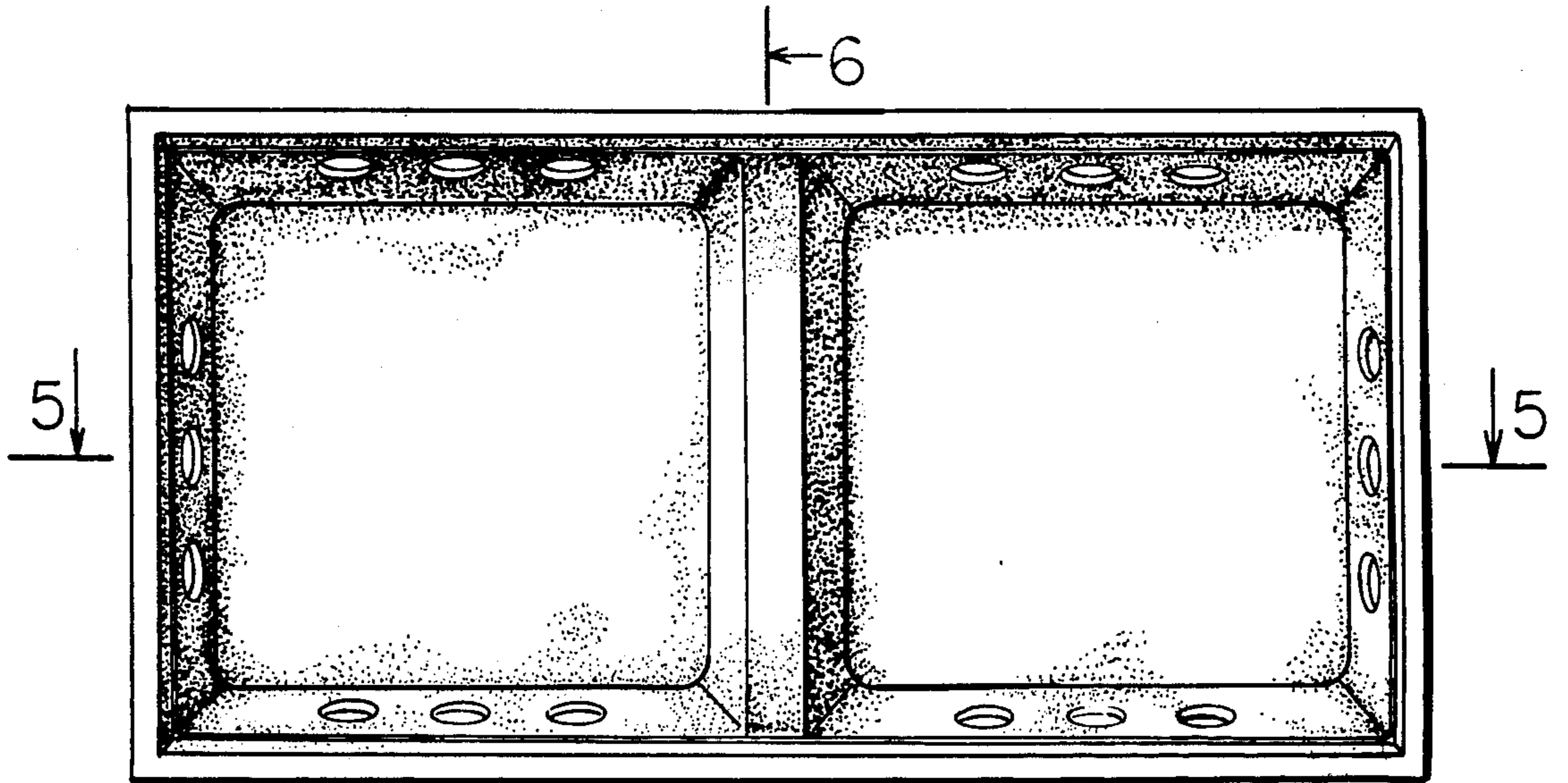


Fig. 4

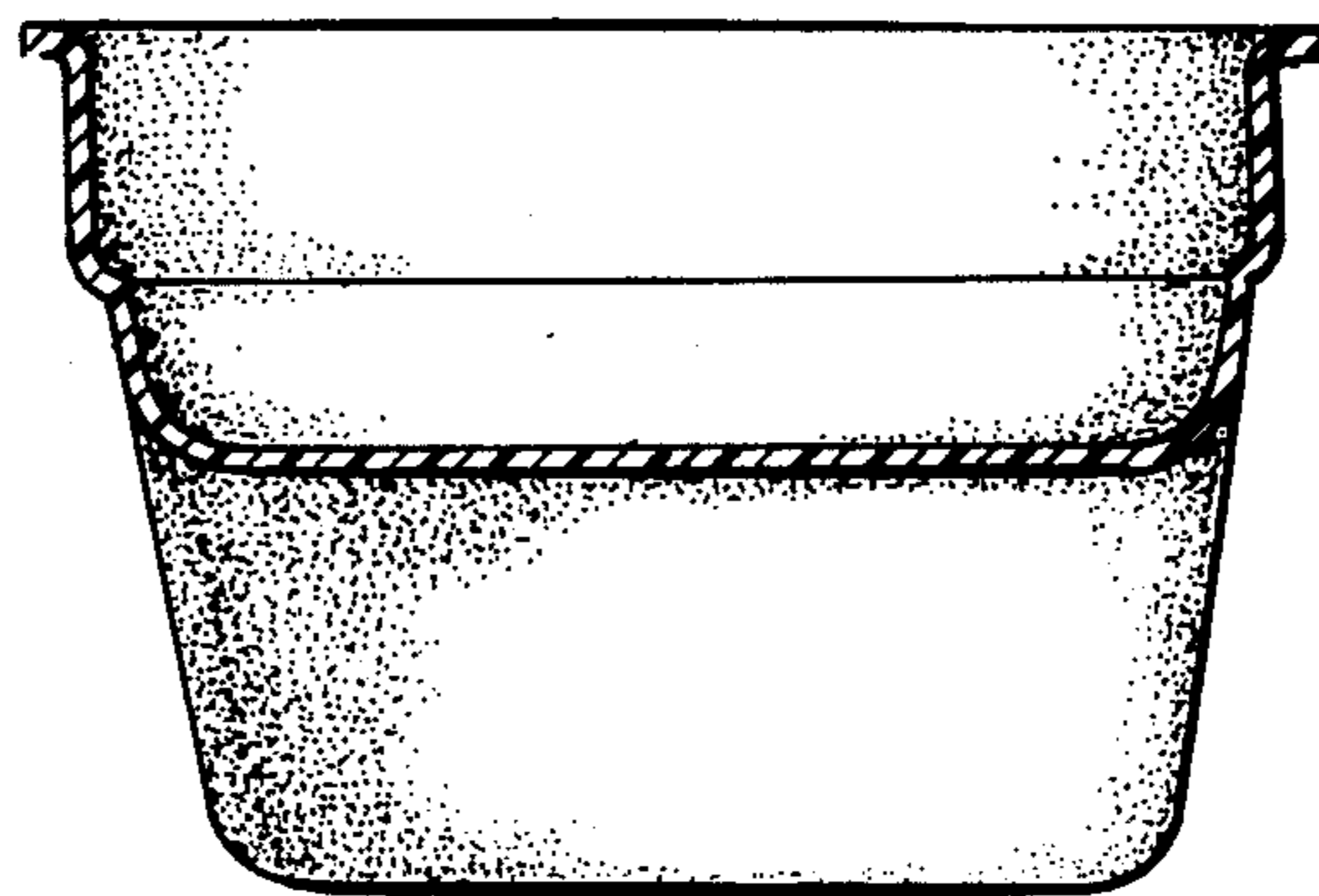


Fig. 6

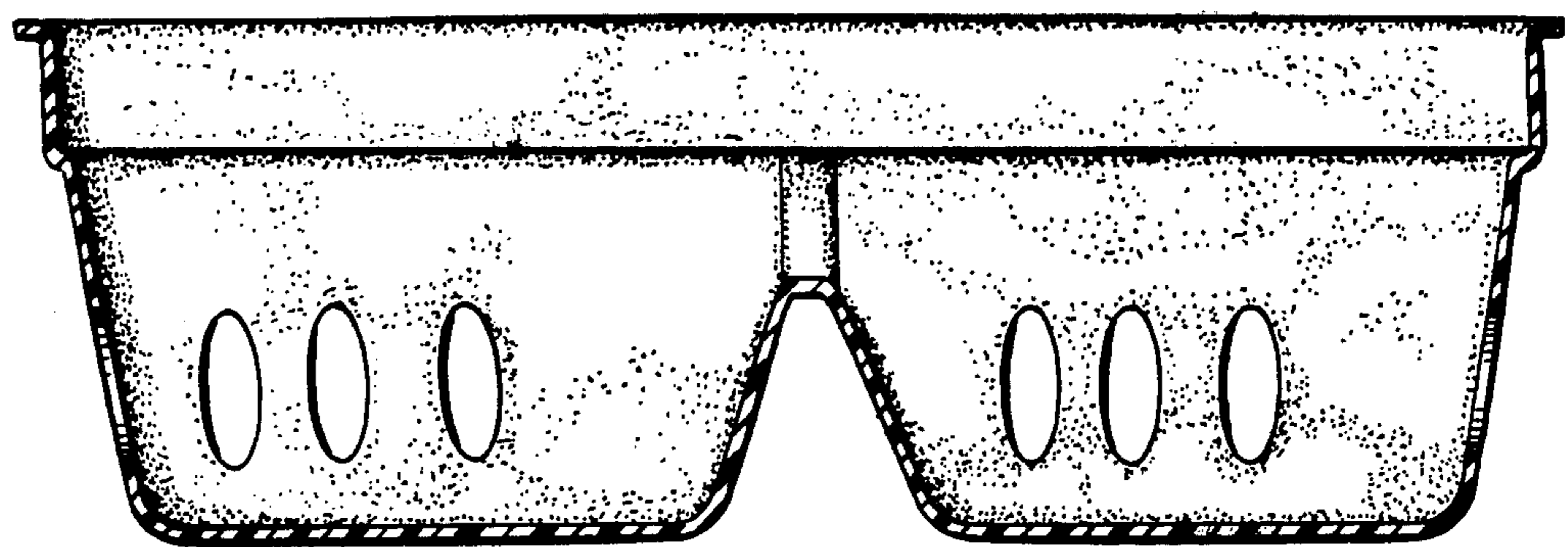


Fig. 5

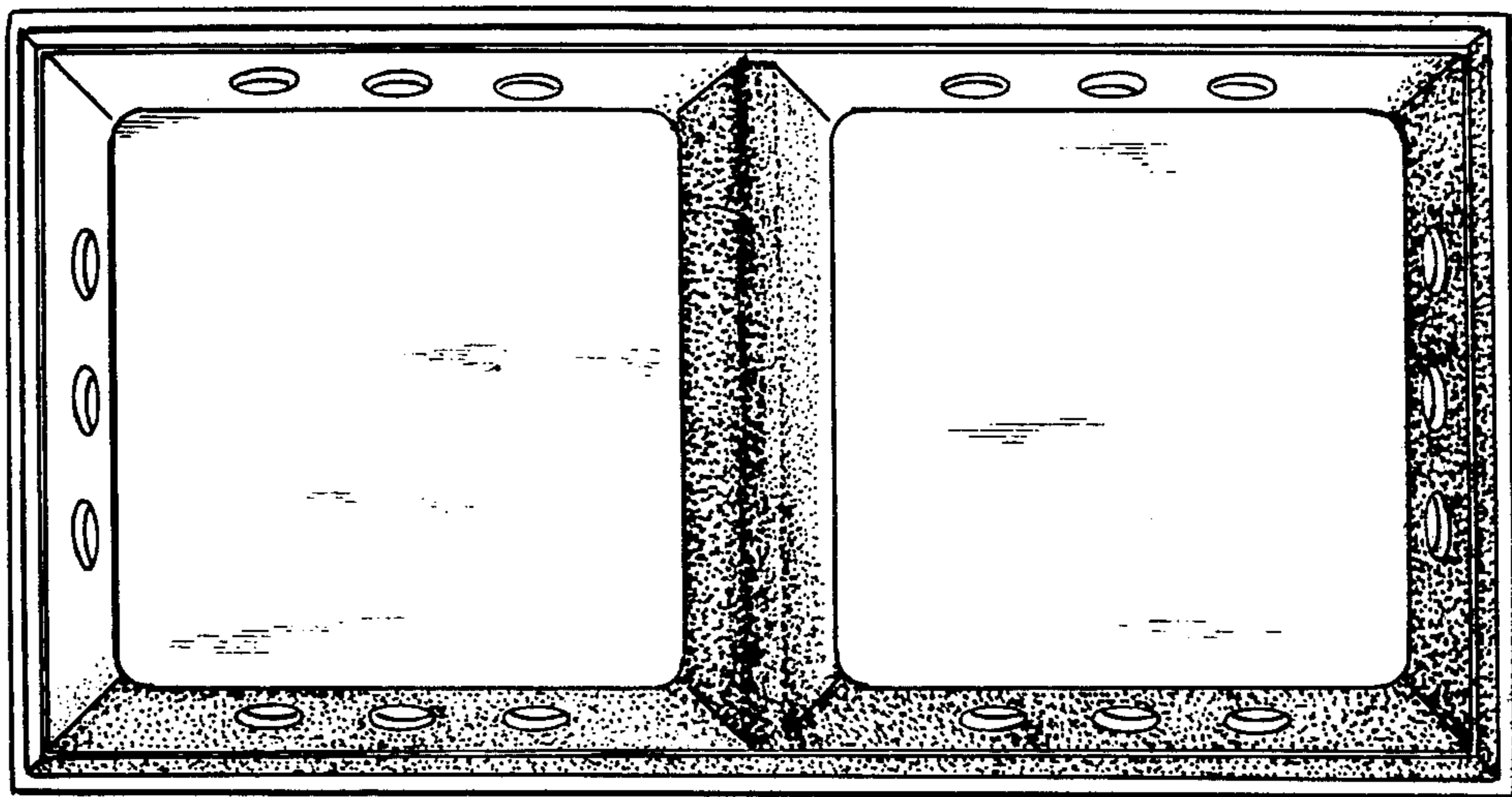


Fig. 7

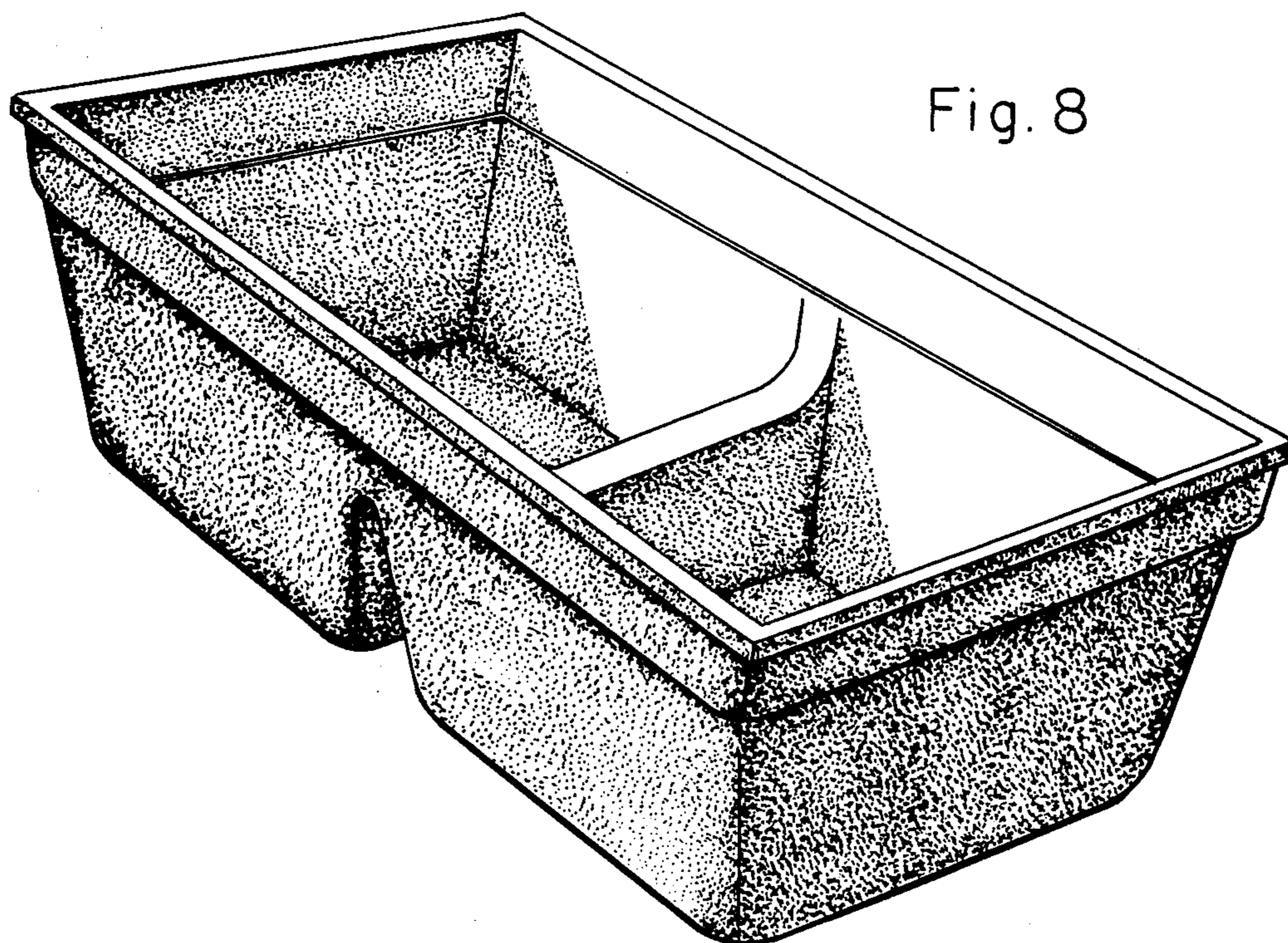


Fig. 8