

[54] CHAIR

[76] Inventor: Steven D. Gageby, 12 Hay Camp Rd., North Oaks, Minn. 55110

[\*\*] Term: 14 Years

[21] Appl. No.: 712,908

[22] Filed: Aug. 9, 1976

[51] Int. Cl. .... D6-01

[52] U.S. Cl. .... D6/56; D6/67

[58] Field of Search ..... D6/26, 29, 30, 31, 33, D6/38, 47, 56, 57, 61, 63, 66, 67, 69, 70, 73, 75, 78, 72; 297/418, 419, 420, 421, 446, 447, 456

[56] References Cited

U.S. PATENT DOCUMENTS

D. 147,935	11/1947	Sundberg .....	D6/69
D. 227,056	6/1973	Fisher .....	D6/73
D. 233,968	12/1974	Morrison et al. ....	D6/69 X
D. 238,224	12/1975	Reenskaug .....	D6/73

D. 238,636 2/1976 Olson et al. .... D6/67

Primary Examiner—Bruce W. Dunkins

[57] CLAIM

The ornamental design for a chair, as shown.

DESCRIPTION

FIG. 1 is a side elevational view of a chair showing my design, the undisclosed side being a mirror image thereof;

FIG. 2 is a front elevational view;

FIG. 3 is a rear elevational view;

FIG. 4 is a top plan view;

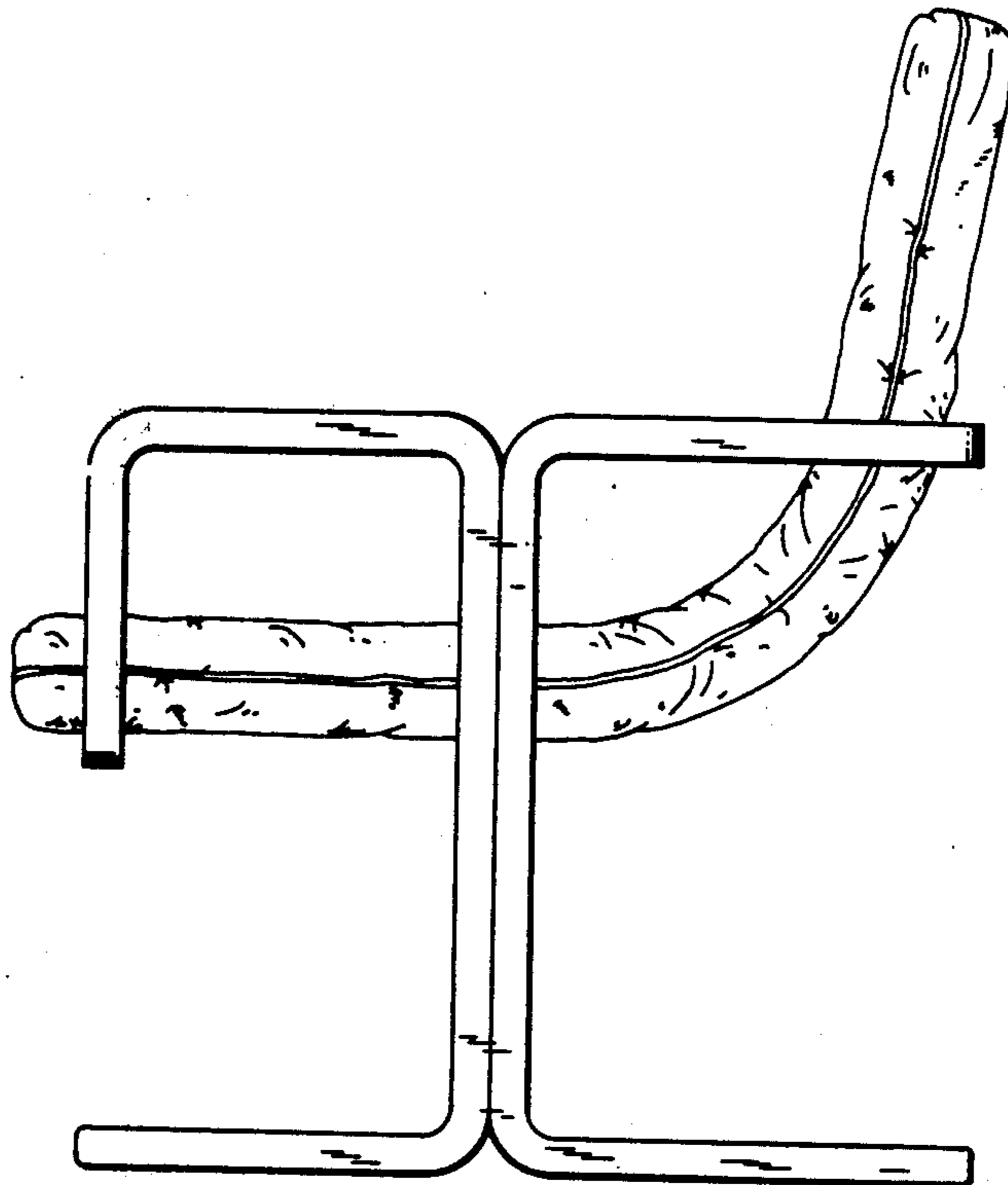
FIG. 5 is an enlarged sectional view taken along line 5-5 of FIG. 2;

FIG. 6 is a sectional view taken along lines 6-6 of FIG. 2;

FIG. 7 is a modified form of the chair shown in FIG. 1;

FIG. 8 is a side elevational view of a third modified form of the chair shown in FIG. 1; and

FIG. 9 is a side elevational view of a fourth modified form of the chair shown in FIG. 1.



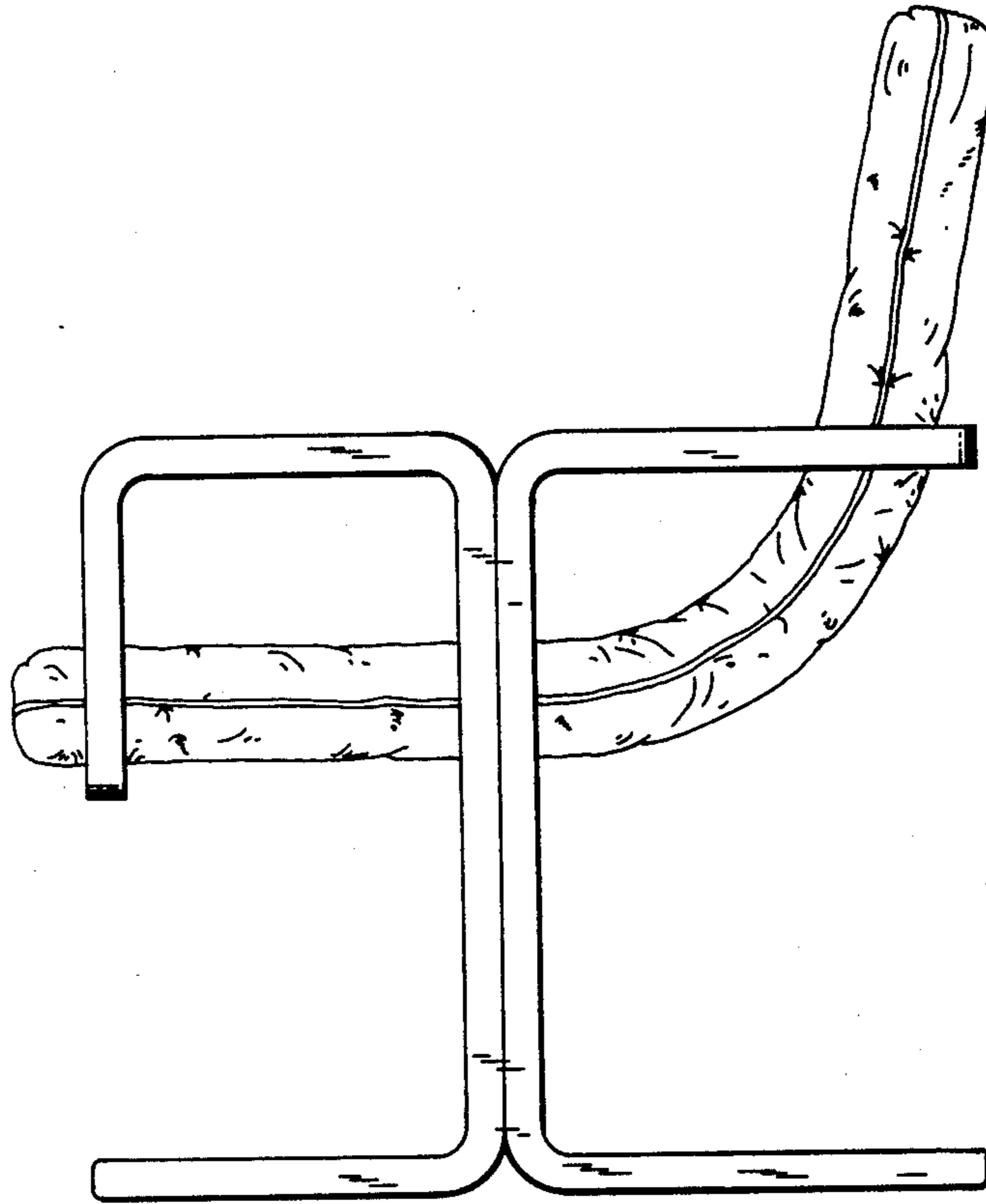


FIG. 1

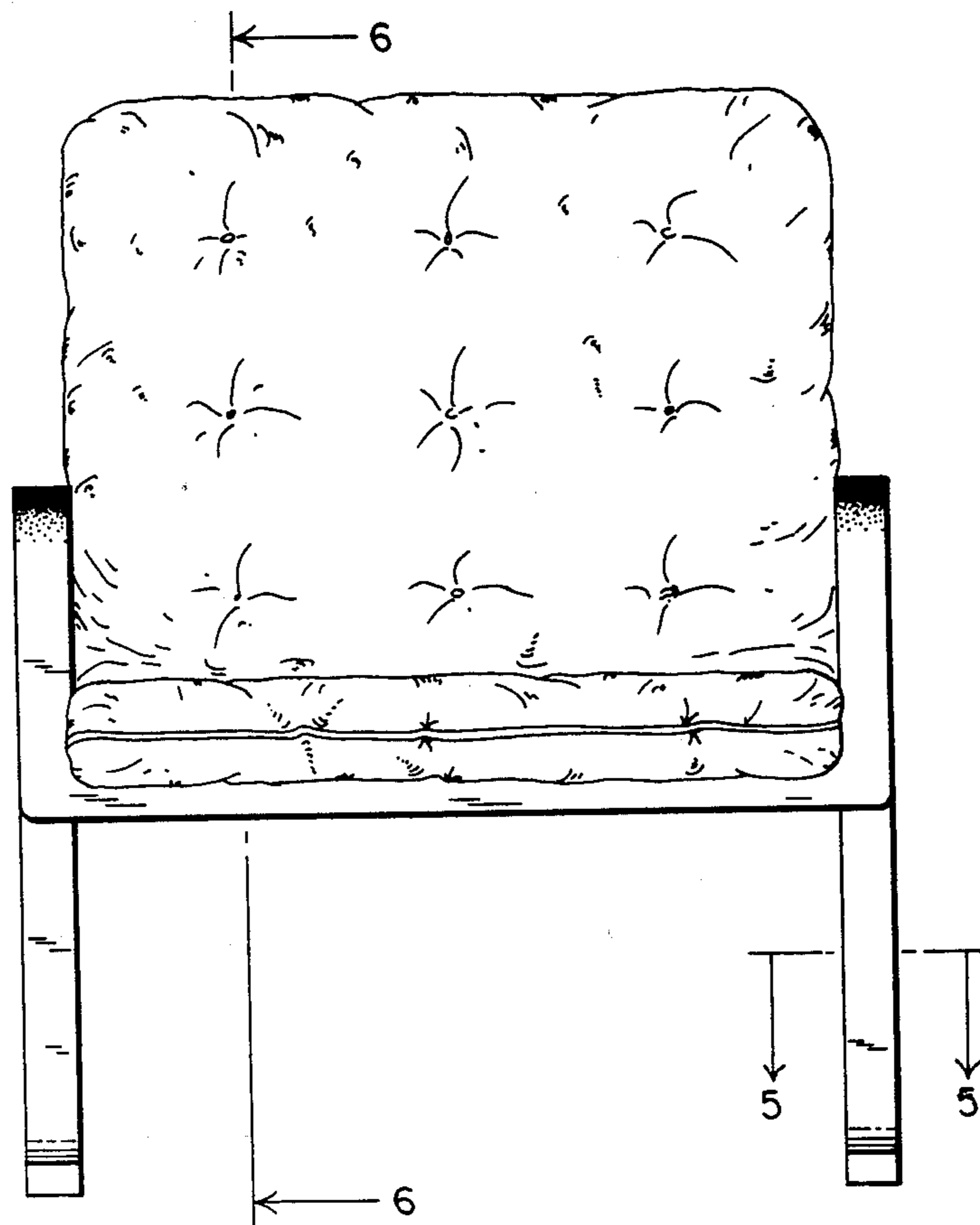


FIG. 2

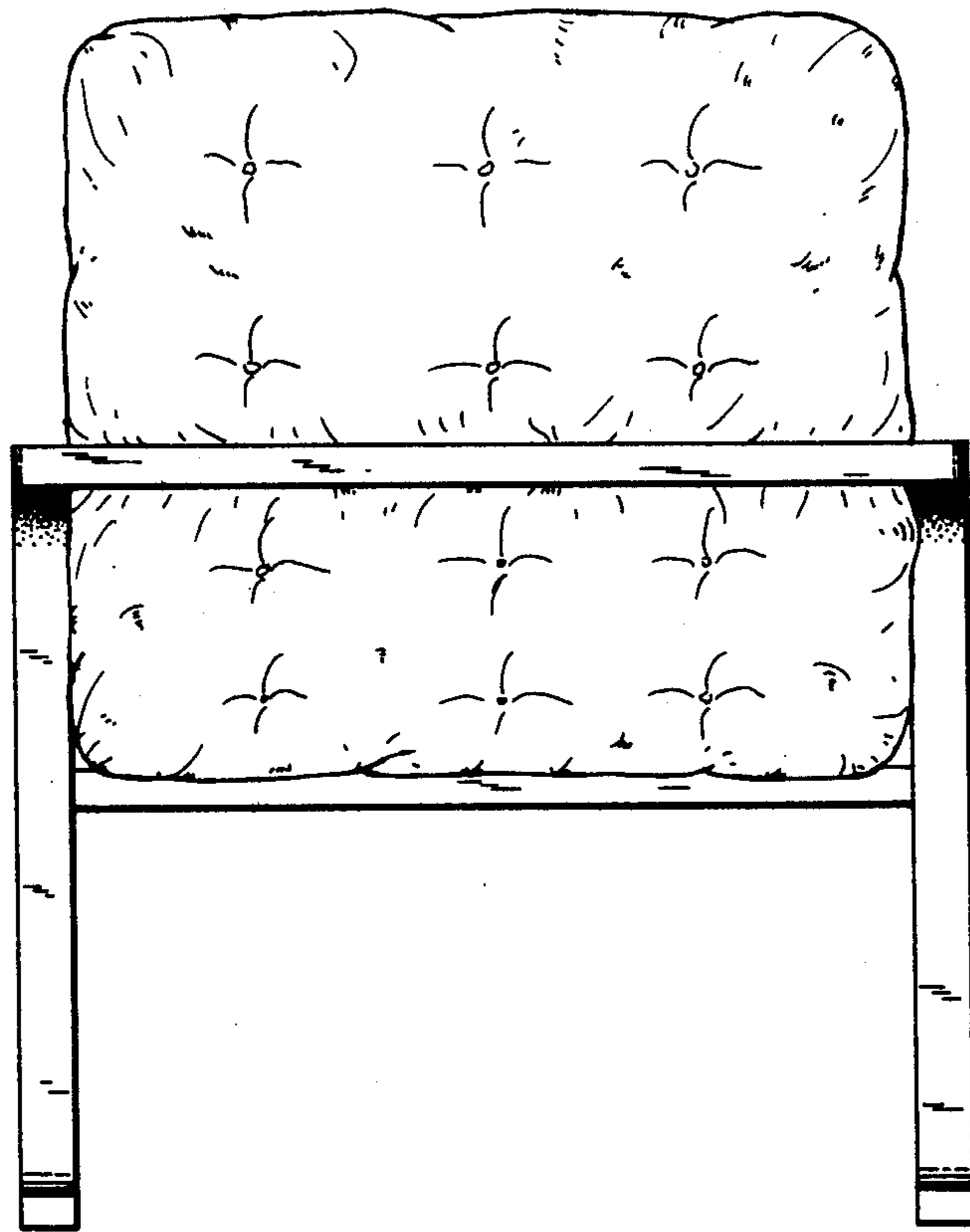


FIG. 3

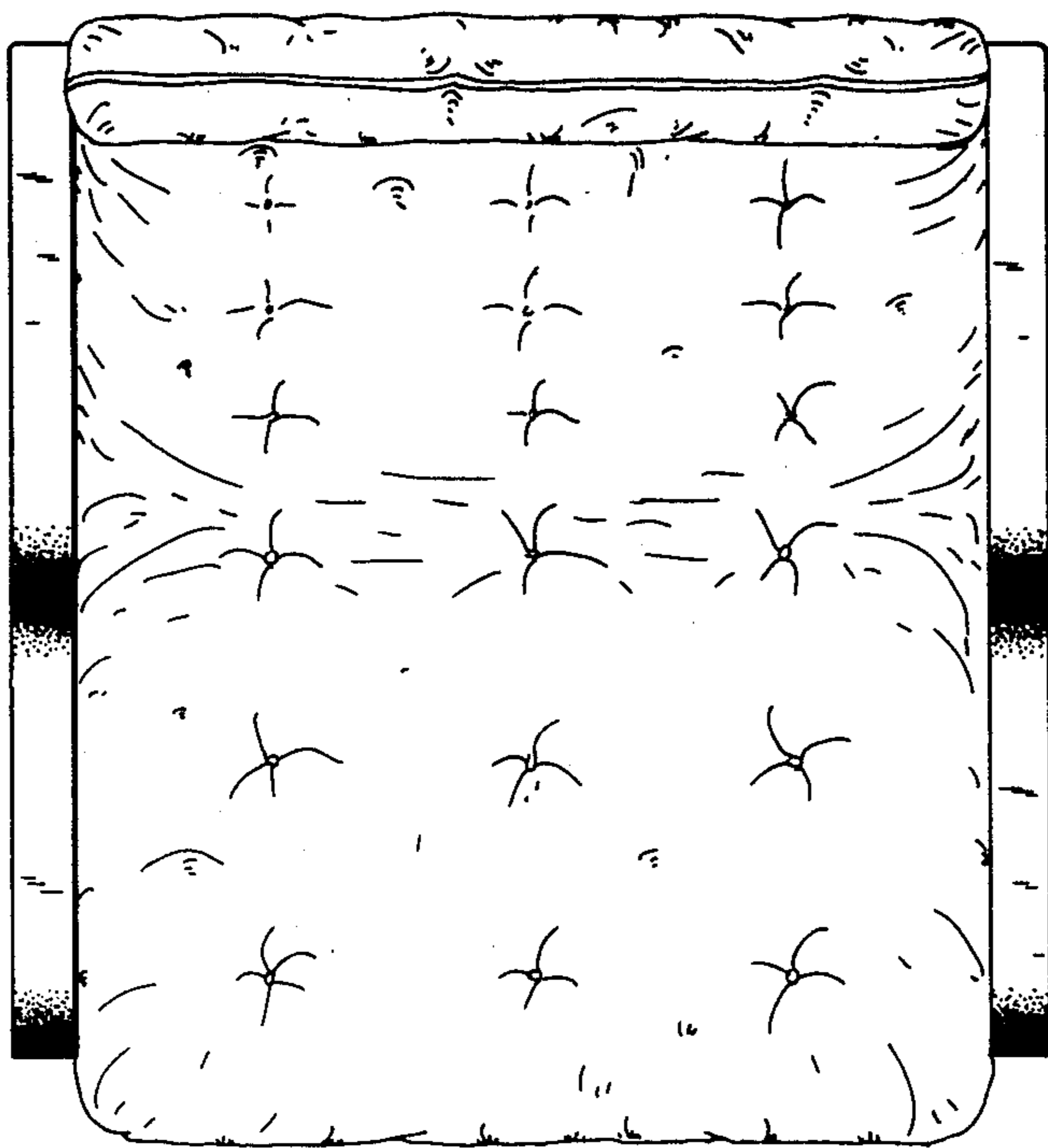


FIG. 4

FIG. 5

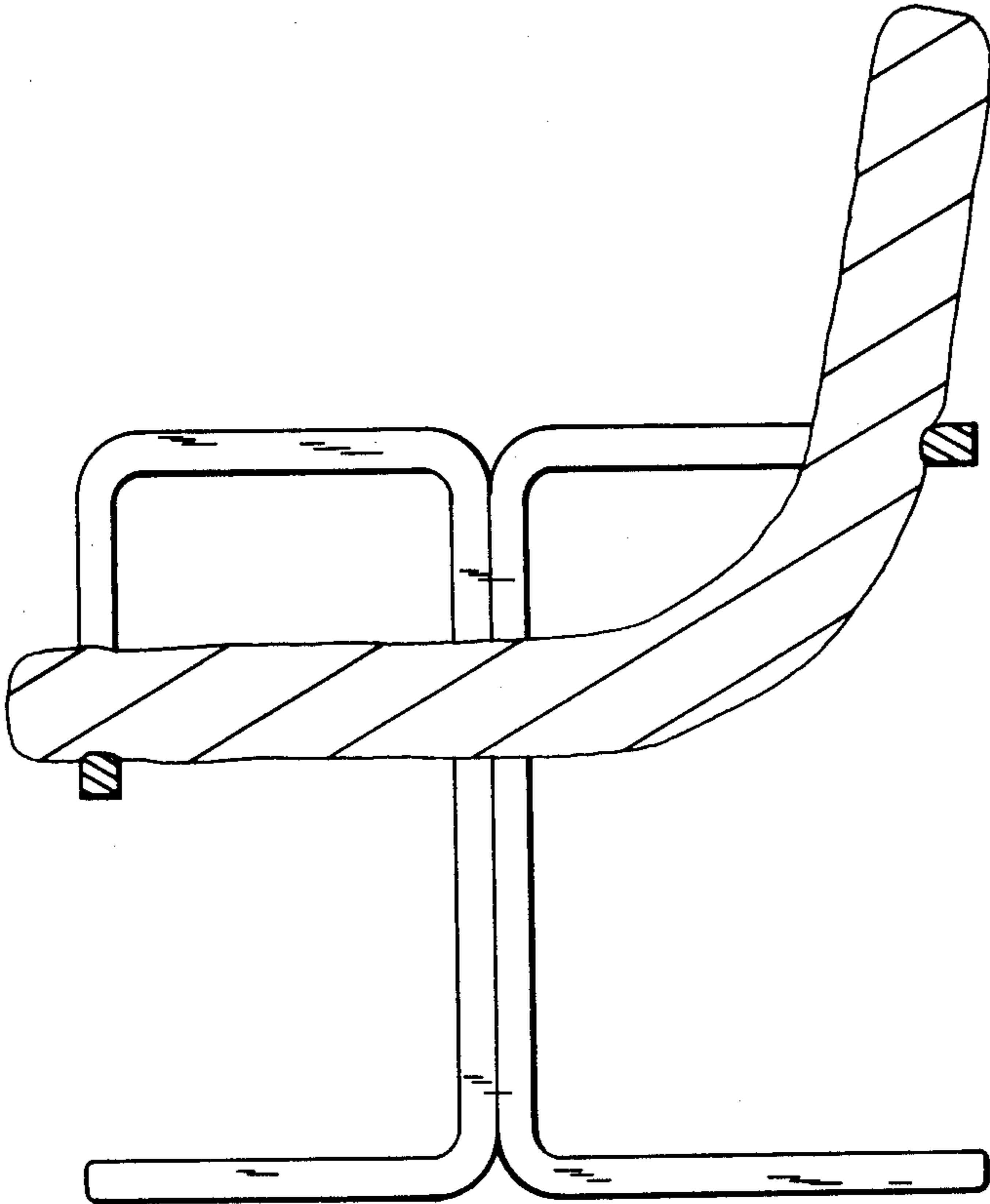
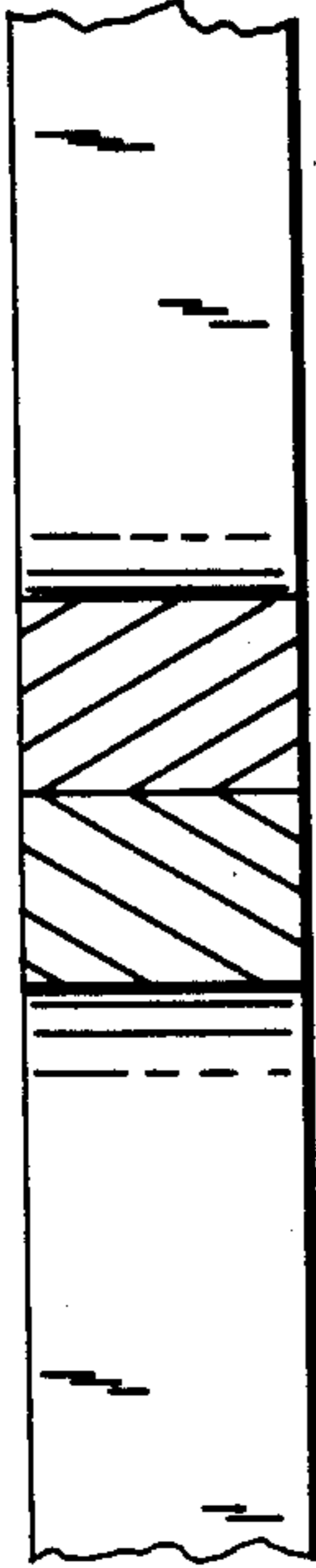


FIG. 6

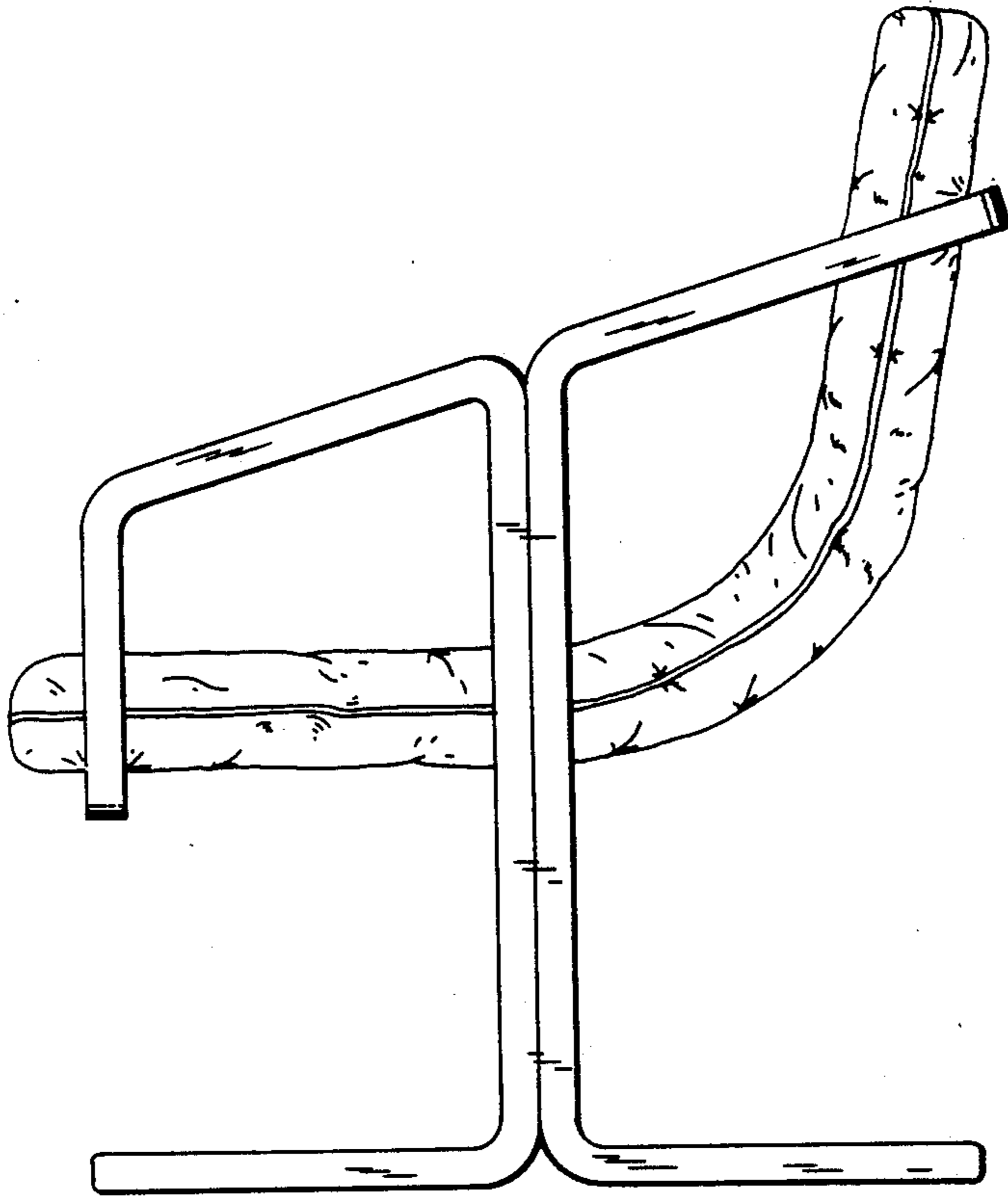


FIG. 7

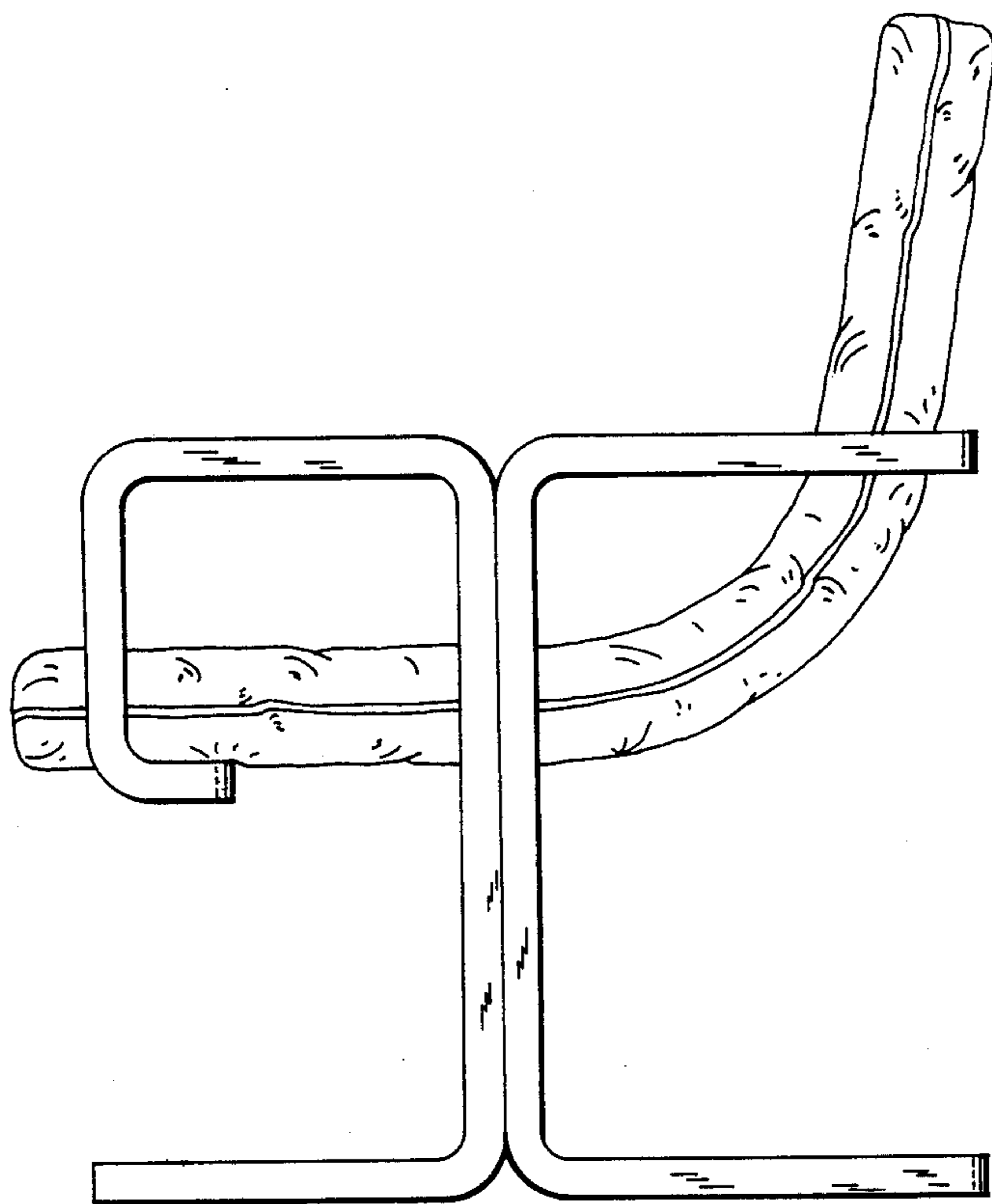


FIG. 8

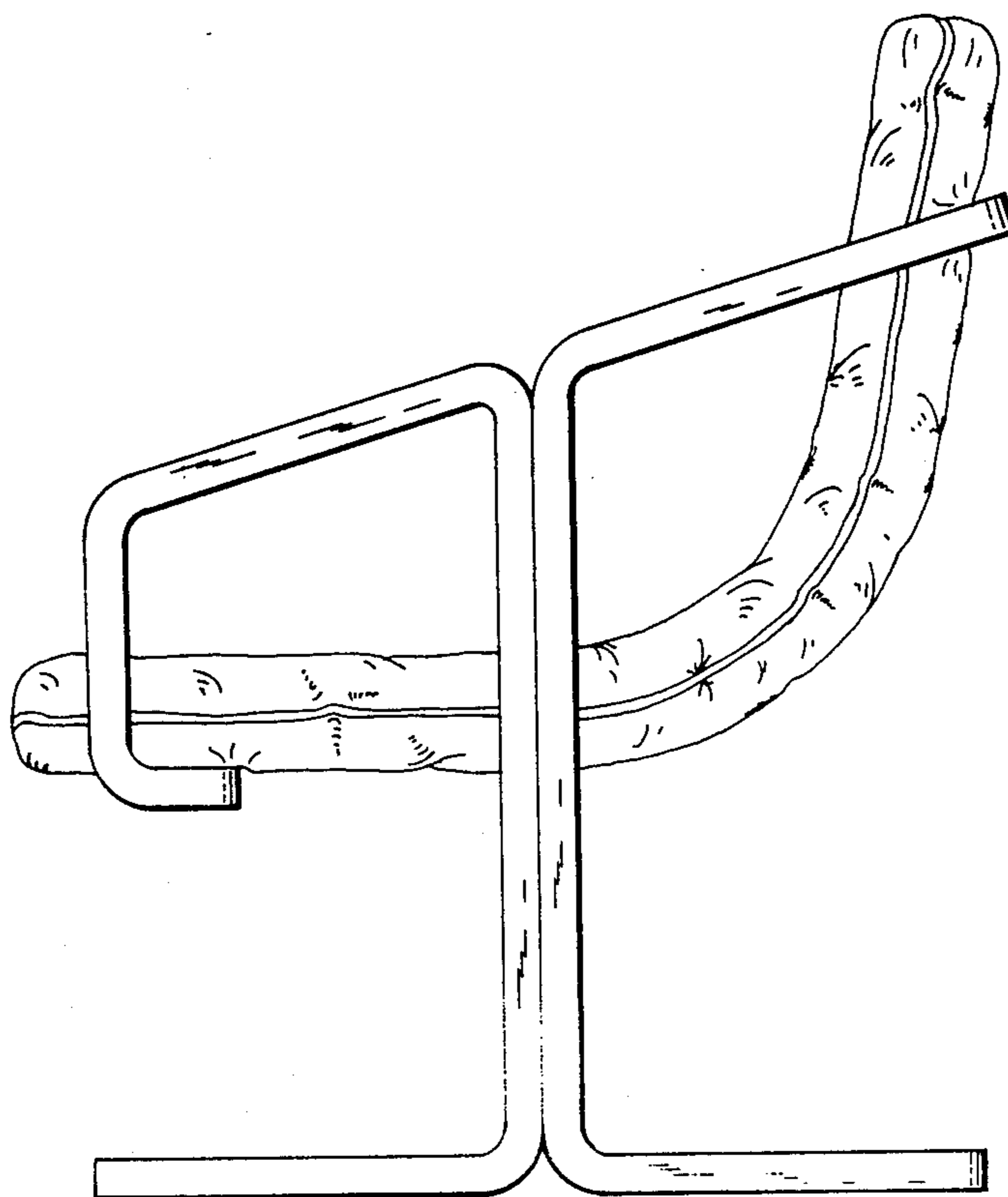


FIG. 9