

[54] TOY BUGLE

[75] Inventor: Michael I. Satten, Great Neck Estates, N.Y.

[73] Assignee: Child Guidance Playthings, Inc., New York, N.Y.

[**] Term: 14 Years

[21] Appl. No.: 749,154

[22] Filed: Dec. 9, 1976

[51] Int. Cl. D21-01

[52] U.S. Cl. D21/64; D17/11

[58] Field of Search D34/15 C, 15 AG, 15 R; 46/174, 175 R, 178, 189, 193; D56/1 C

[56] References Cited

U.S. PATENT DOCUMENTS

D. 165,946 2/1952 Thompson D34/15 C

OTHER PUBLICATIONS

Music Trades, 6-1968, p. 86, Rexcraft Bugle. Playthings, 7-1949, p. 115, Toy Bugles at bottom of page.

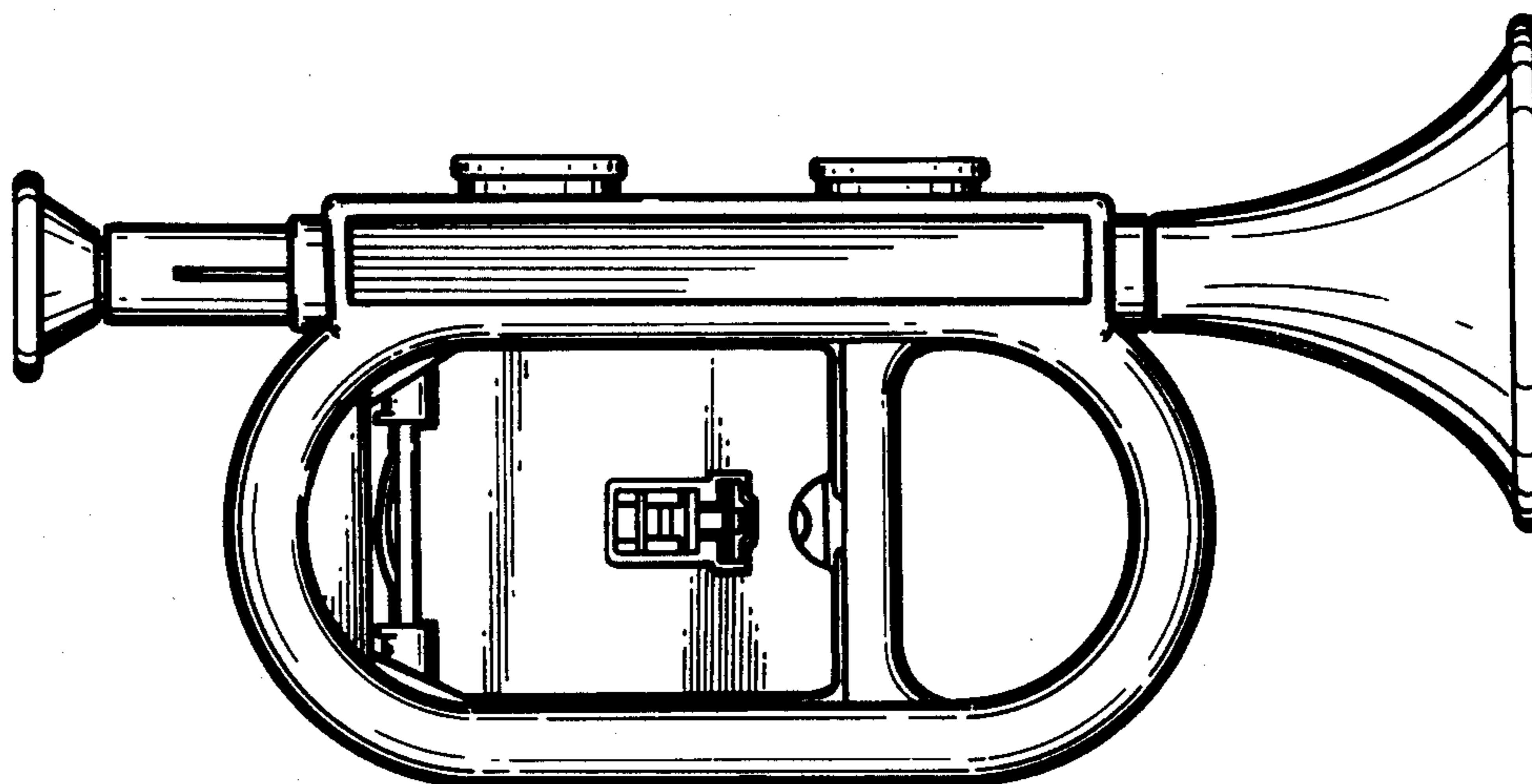
Primary Examiner—Joel Stearman
Assistant Examiner—C. A. Rademaker
Attorney, Agent, or Firm—Arthur H. Seidel

[57] CLAIM

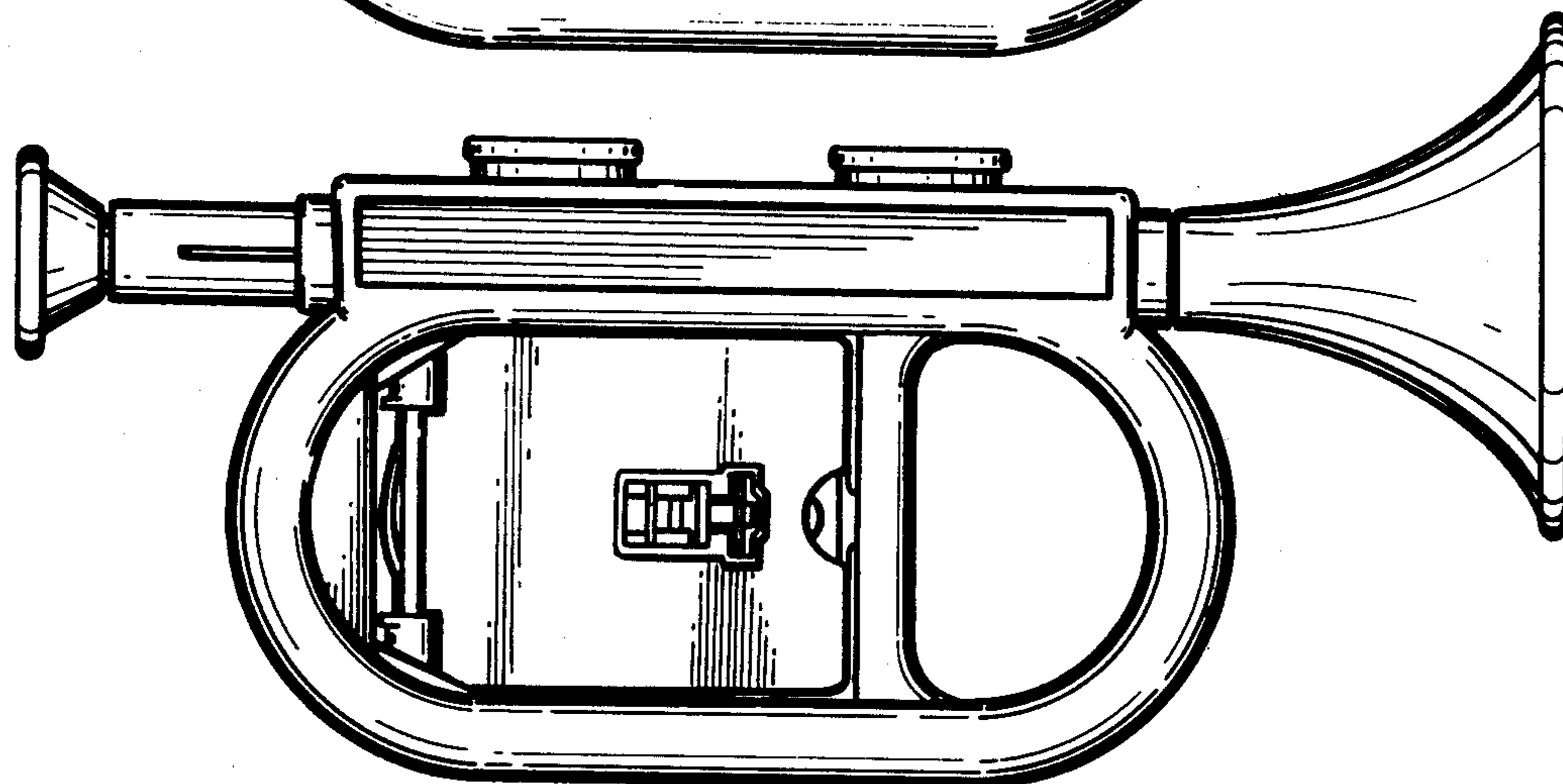
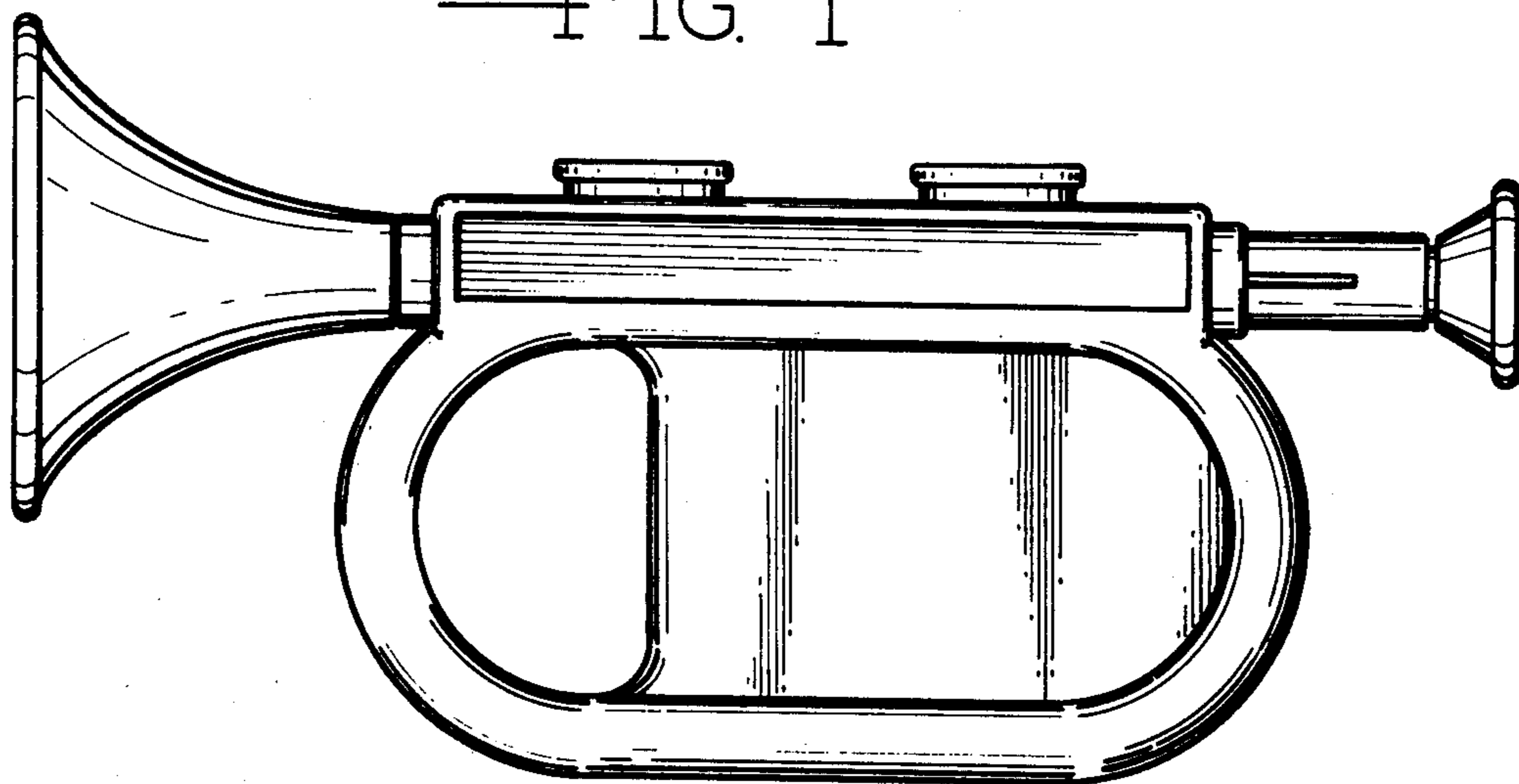
The ornamental design for a toy bugle, as shown and described.

DESCRIPTION

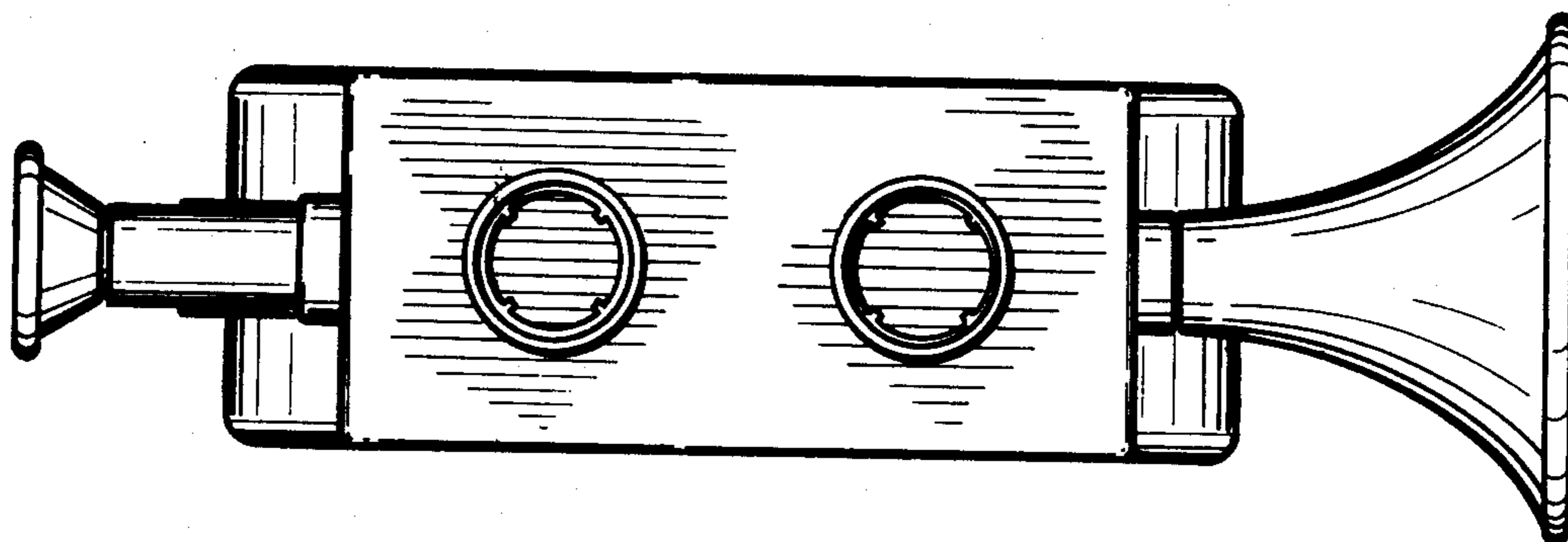
FIG. 1 is a right side elevational view of a toy bugle showing my new design; FIG. 2 is a left side elevational view thereof; FIG. 3 is a top plan view thereof; FIG. 4 is a front elevational view thereof; FIG. 5 is a rear elevational view thereof; and FIG. 6 is a bottom plan view thereof.



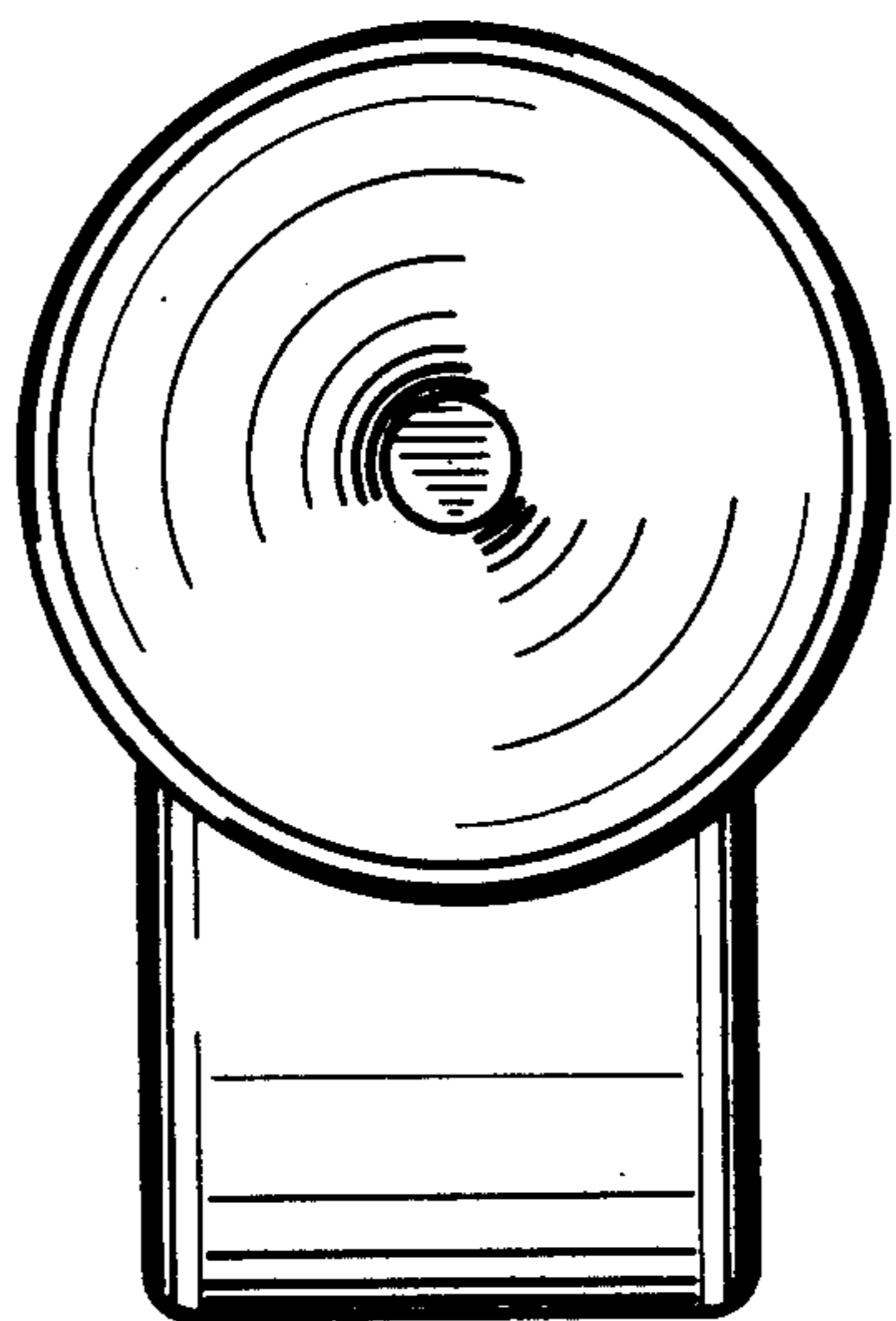
—FIG. 1



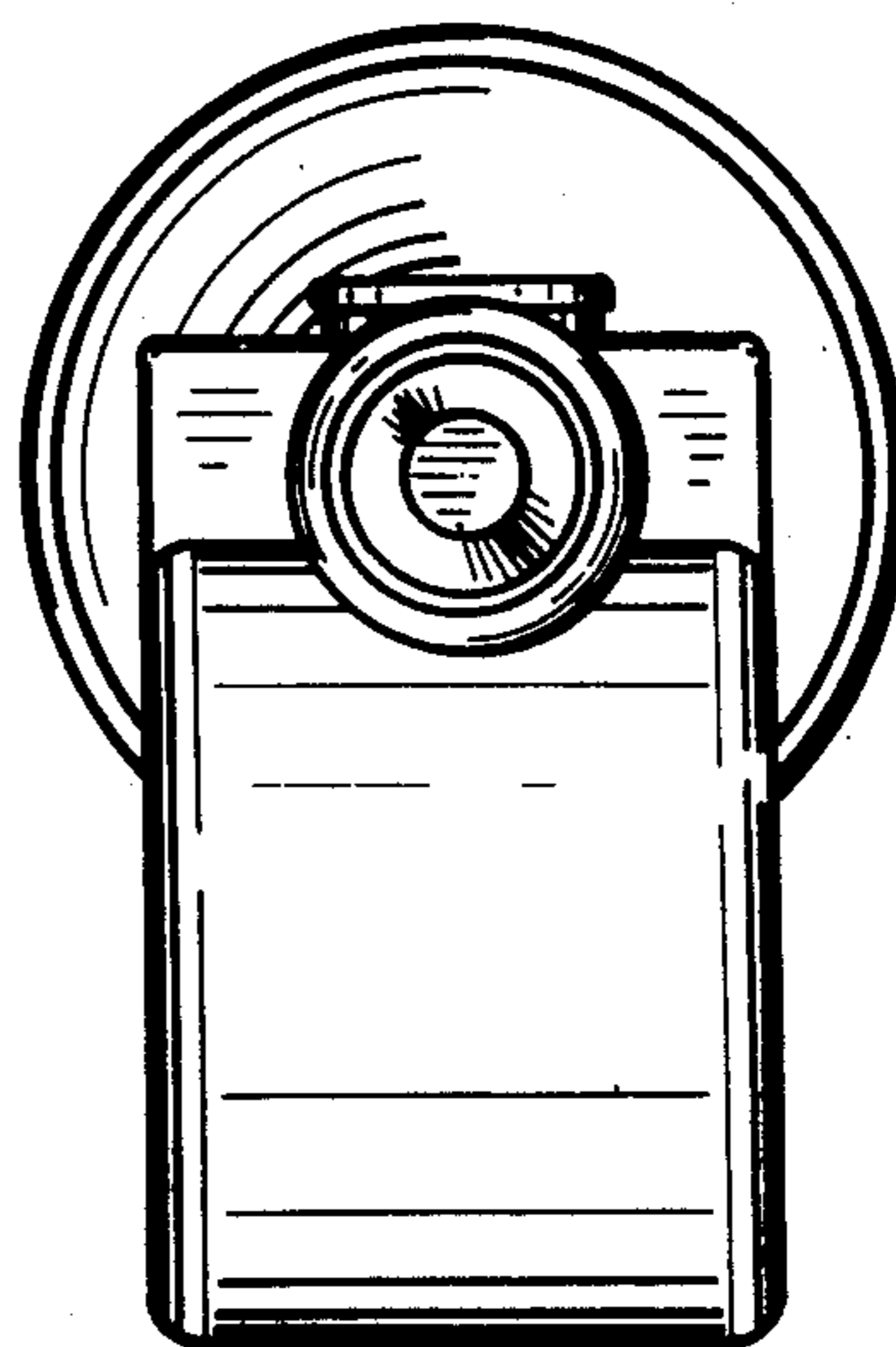
—FIG. 2



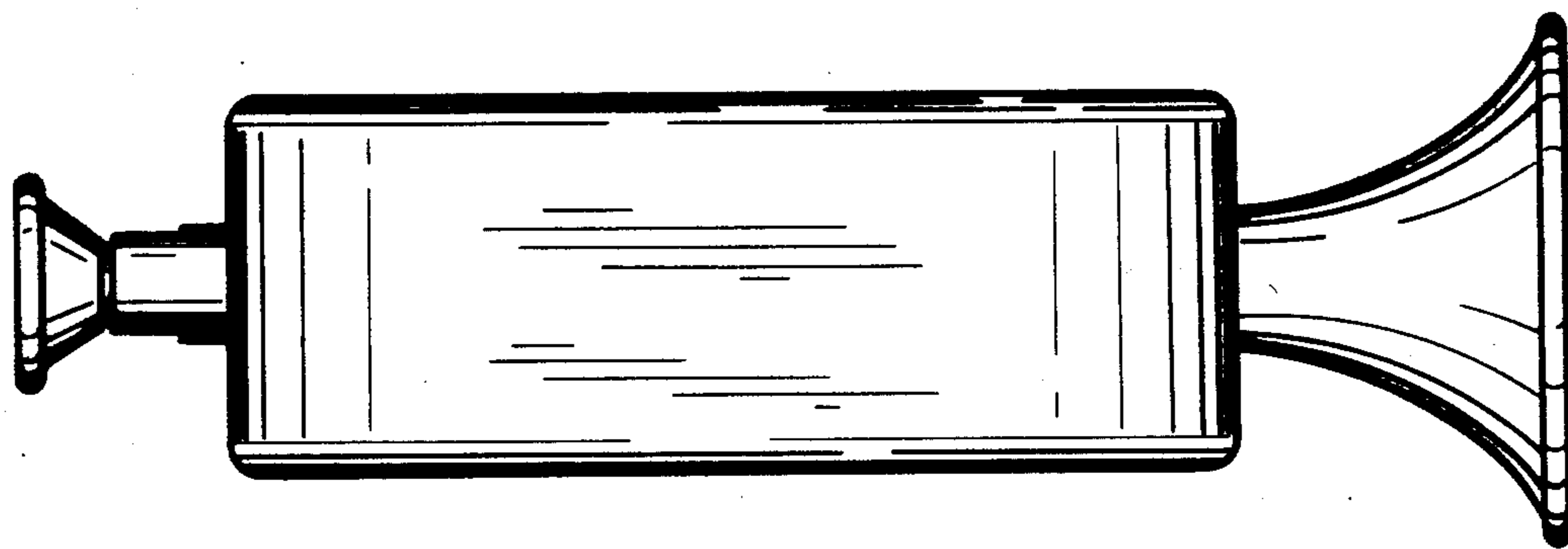
—FIG. 3



—FIG. 4



—FIG. 5



—FIG. 6