

[54] TOY RACETRACK

- [75] Inventor: Tetsuo Okado, Tokyo, Japan
- [73] Assignee: Tomy Kogyo Co., Inc., Tokyo, Japan
- [**] Term: 14 Years
- [21] Appl. No.: 767,744
- [22] Filed: Feb. 11, 1977
- [51] Int. Cl. D21-01
- [52] U.S. Cl. D21/143; D21/7
- [58] Field of Search D34/15 K, 15 R, 5 CC;
273/86 D; 46/202, 1 K, 86 R

[56] References Cited

U.S. PATENT DOCUMENTS

3,080,675	3/1963	Licitis	D34/15 K
3,712,538	1/1973	Starr et al.	46/1 K
3,775,897	12/1973	Soulakis et al.	46/1 K
3,908,303	9/1975	McKay et al.	46/1 K

OTHER PUBLICATIONS

J. C. Penny Christmas Catalog, 1975, p. 411, Item 5, Speed Stunter.

Primary Examiner—Joel Stearman
Assistant Examiner—Charles A. Rademaker
Attorney, Agent, or Firm—James D. Halsey, Jr.

[57] CLAIM

The ornamental design for a toy racetrack, as shown and described.

DESCRIPTION

FIG. 1 is a top plan view of a toy racetrack showing my new design;
FIG. 2 is a front elevational view thereof;
FIG. 3 is a rear elevational view thereof;
FIG. 4 is a right side elevational view thereof, the left side elevational view being a mirror image thereof; and
FIG. 5 is a bottom plan view thereof.

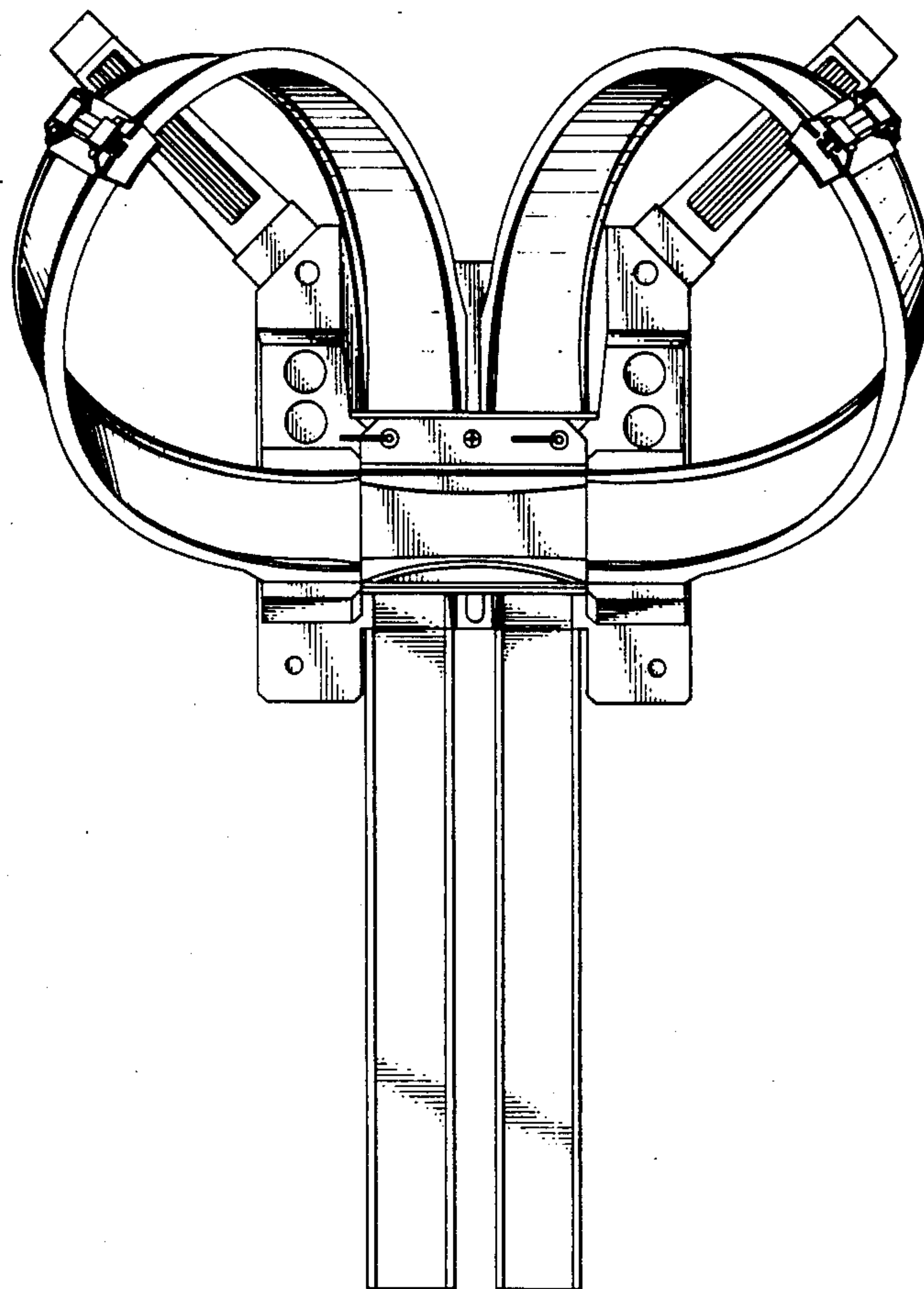


FIG. 1.

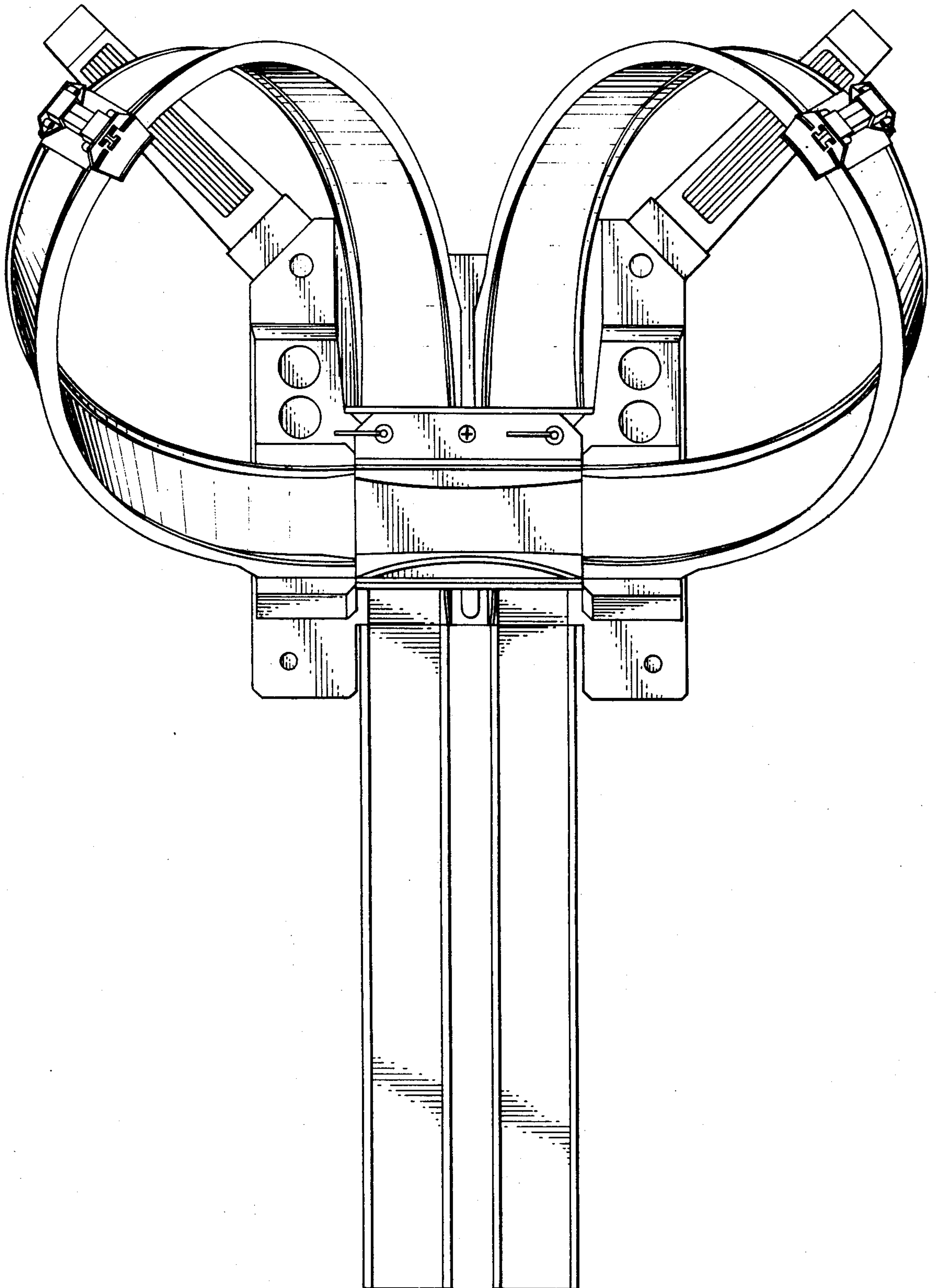


FIG. 2.

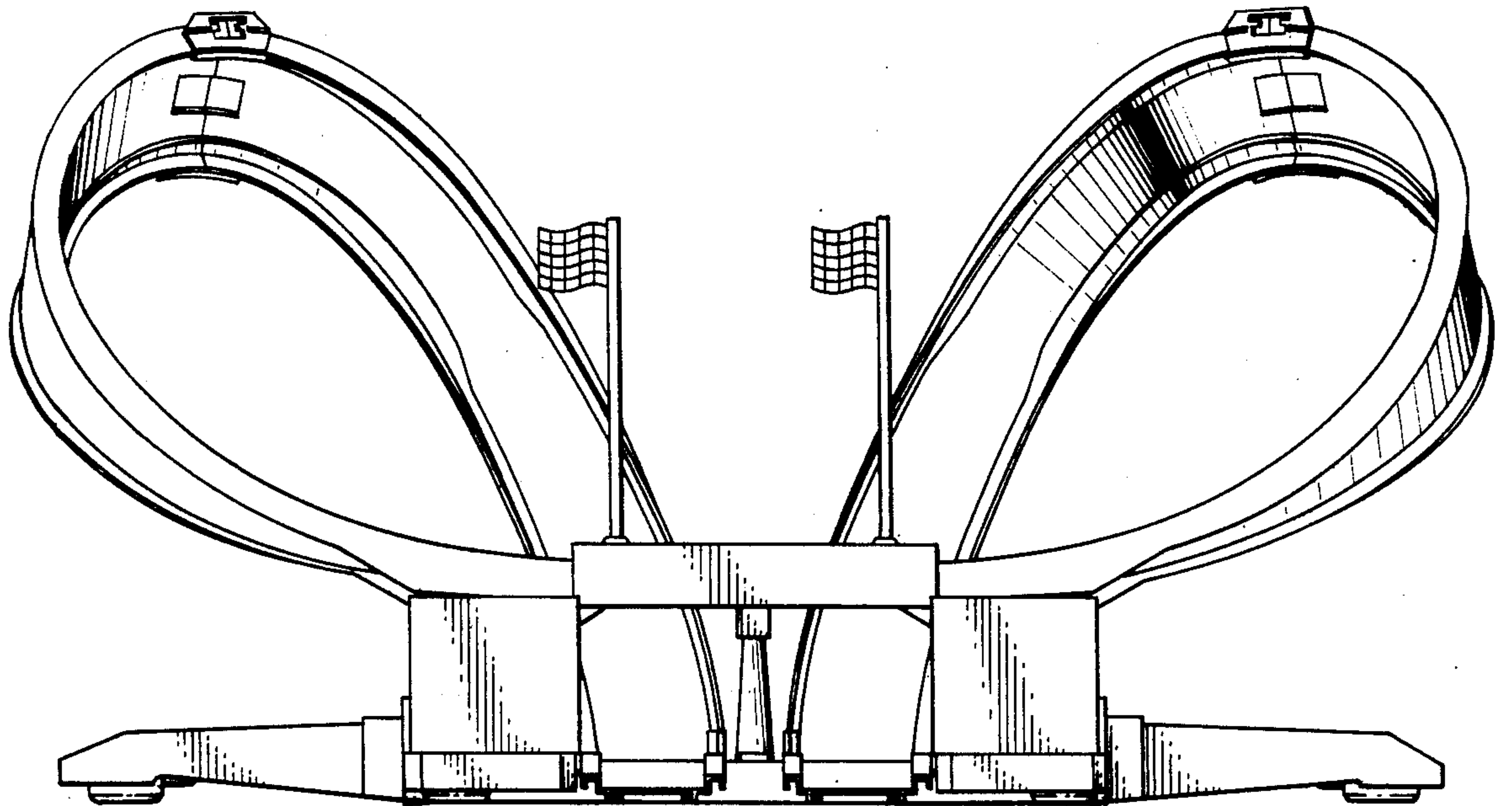
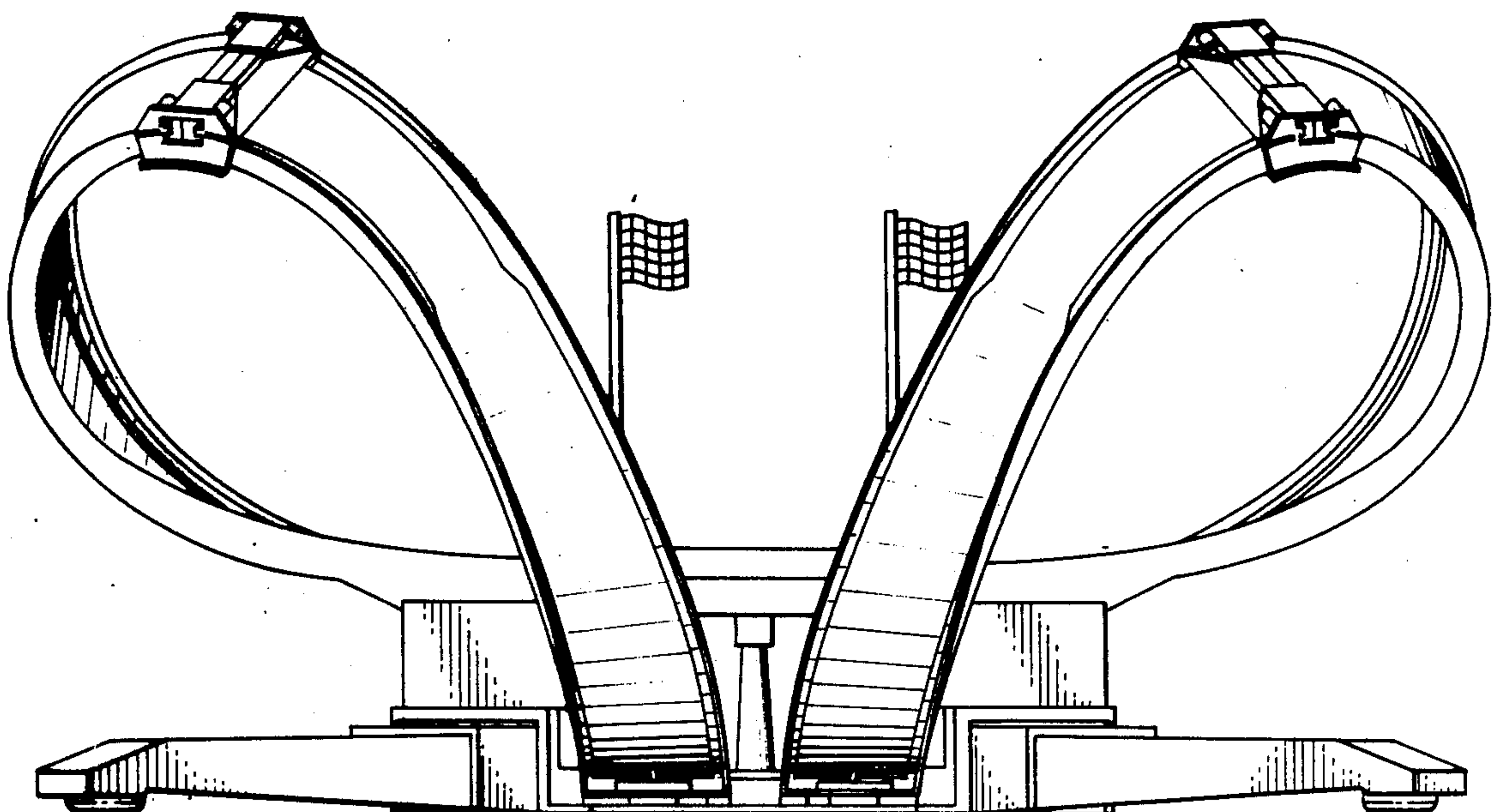


FIG. 3.



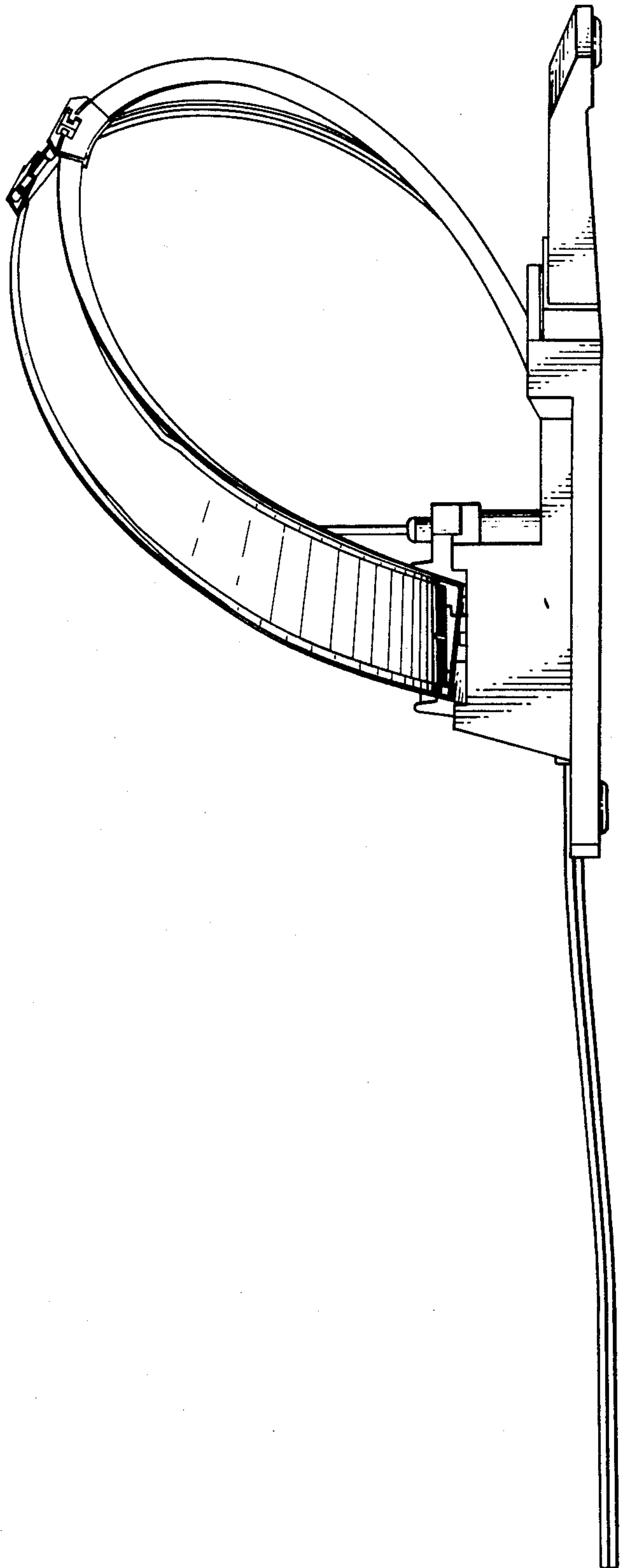


FIG. 4.

FIG. 5.

