

[54] DOUBLE-BARRELED PISTOL

[76] Inventor: Paul A. Romano, Lane 1, Brookville, N.Y. 11753

[\*\*] Term: 14 Years

[21] Appl. No.: 804,919

[22] Filed: Jun. 9, 1977

[51] Int. Cl. .... D22-01

[52] U.S. Cl. .... D22/1

[58] Field of Search ..... D22/1, 6; 42/51, 59

[56] References Cited

U.S. PATENT DOCUMENTS

D. 121,317 7/1940 Dimick ..... D22/1

OTHER PUBLICATIONS

Gun Collector's Digest edited by Joseph J. Schroeder, Jr., © 1974, p.196, model at top left.

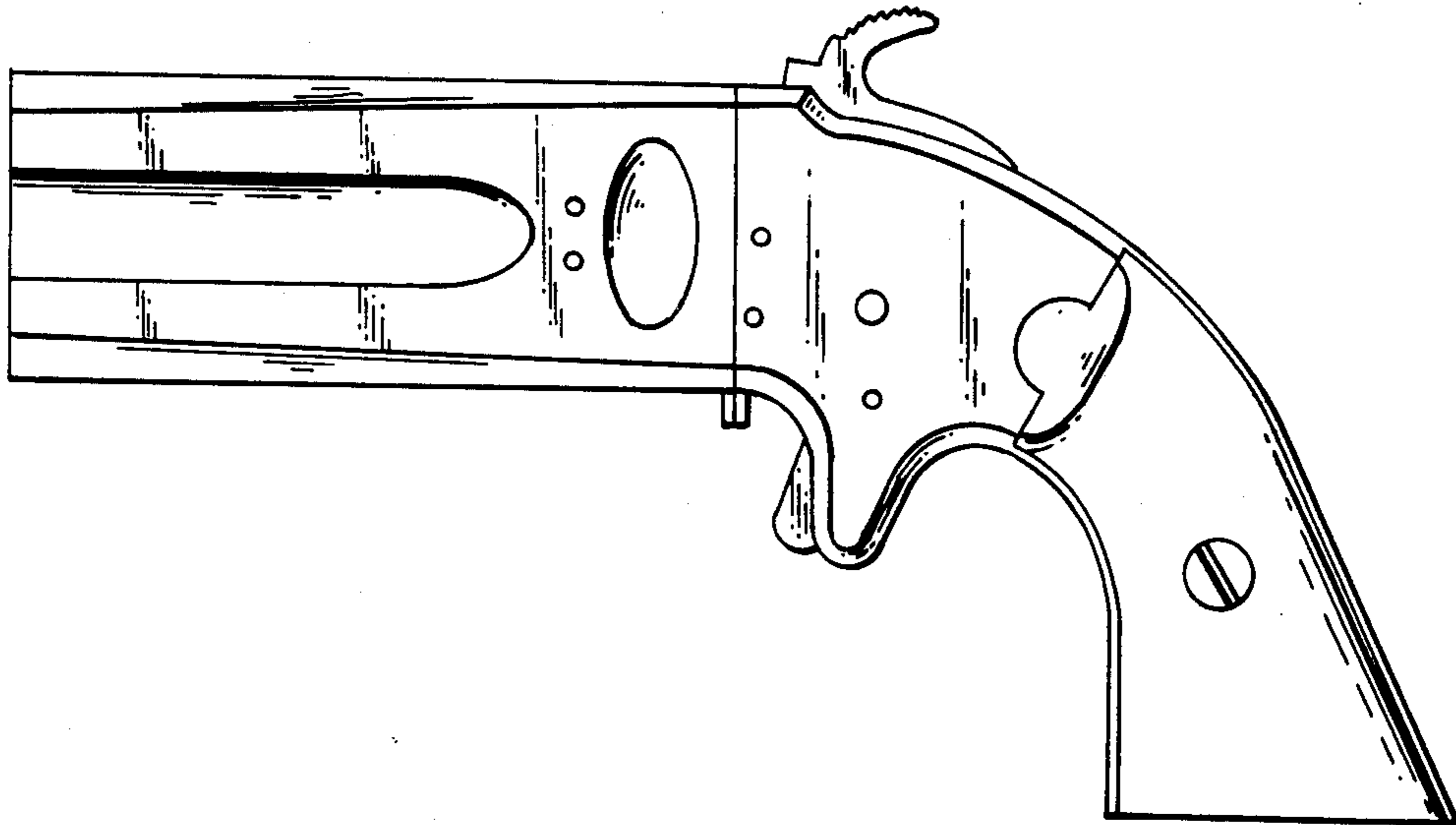
Primary Examiner—A. Hugo Word  
Attorney, Agent, or Firm—Jerome Bauer

[57] CLAIM

The ornamental design for a double-barreled pistol, substantially as shown and described.

DESCRIPTION

FIG. 1 is a top plan view of a pistol showing my new design;  
FIG. 2 is a front elevational view thereof;  
FIG. 3 is a side view thereof;  
FIG. 4 is a bottom plan view thereof;  
FIG. 5 is a rear elevational view thereof; and  
FIG. 6 is a typical side view, the other side view being a mirror image thereof.



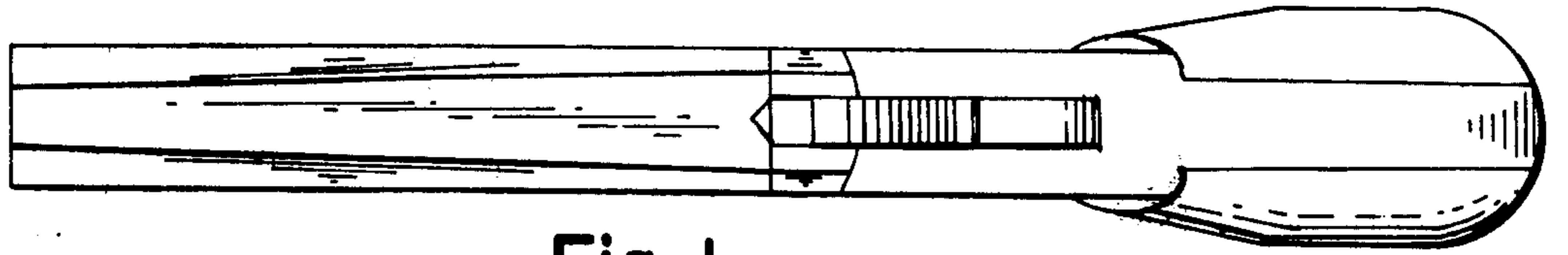


Fig. 1

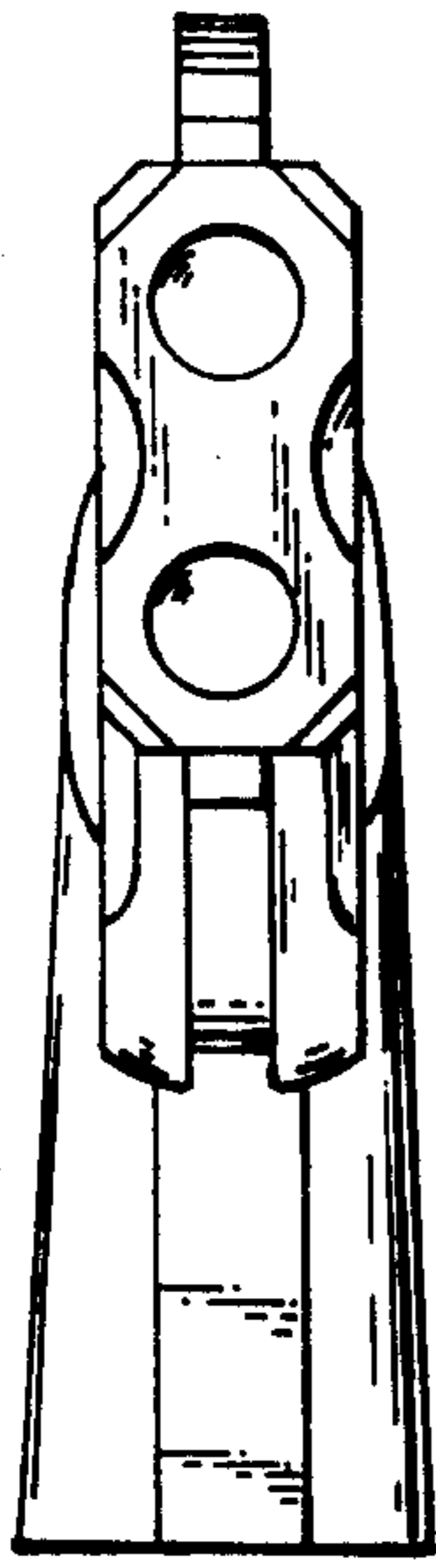


Fig. 2

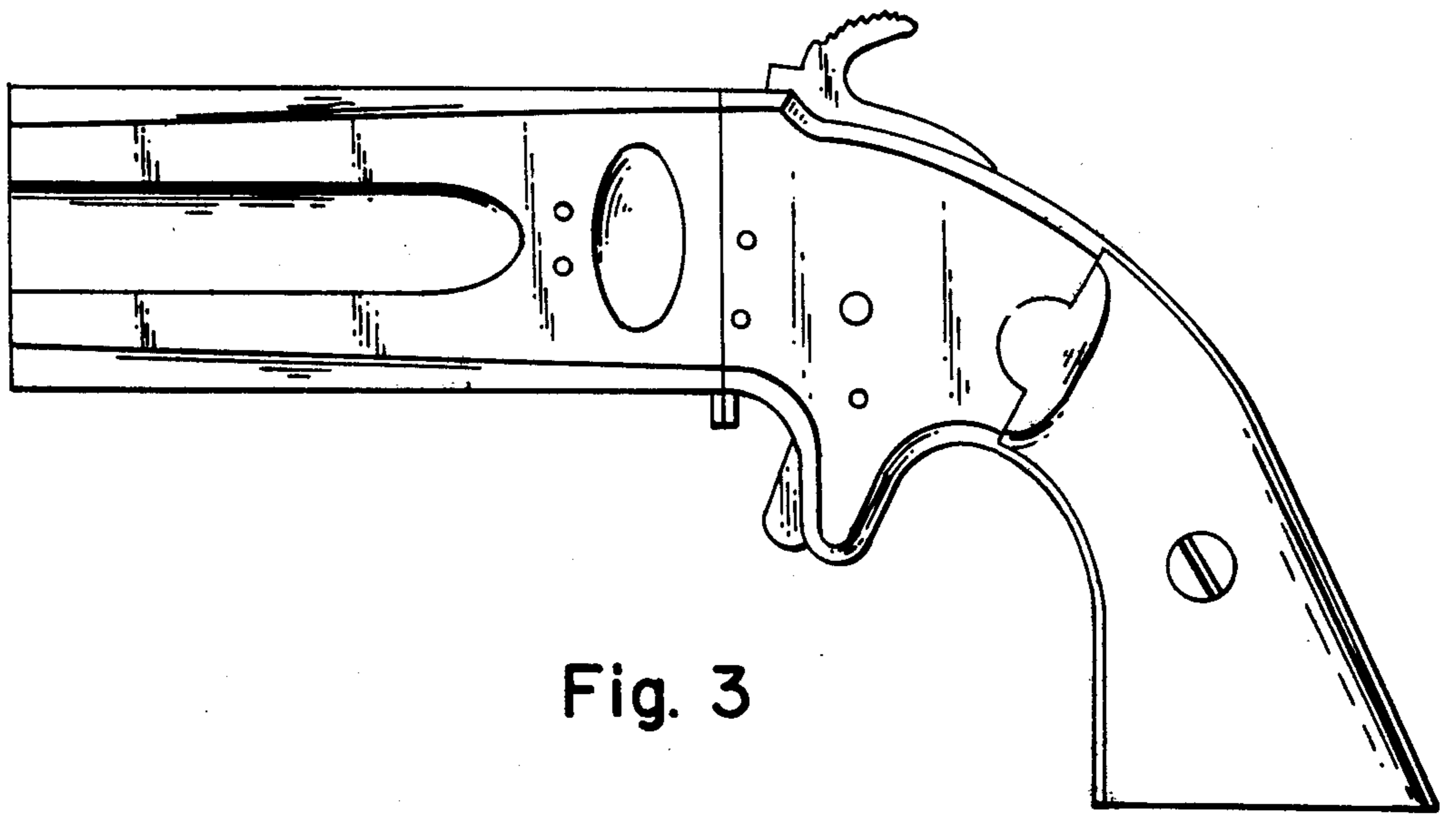


Fig. 3

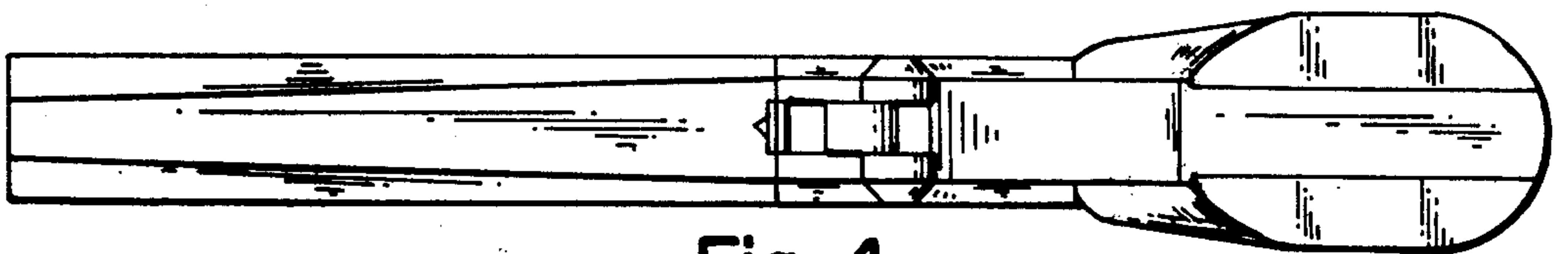


Fig. 4

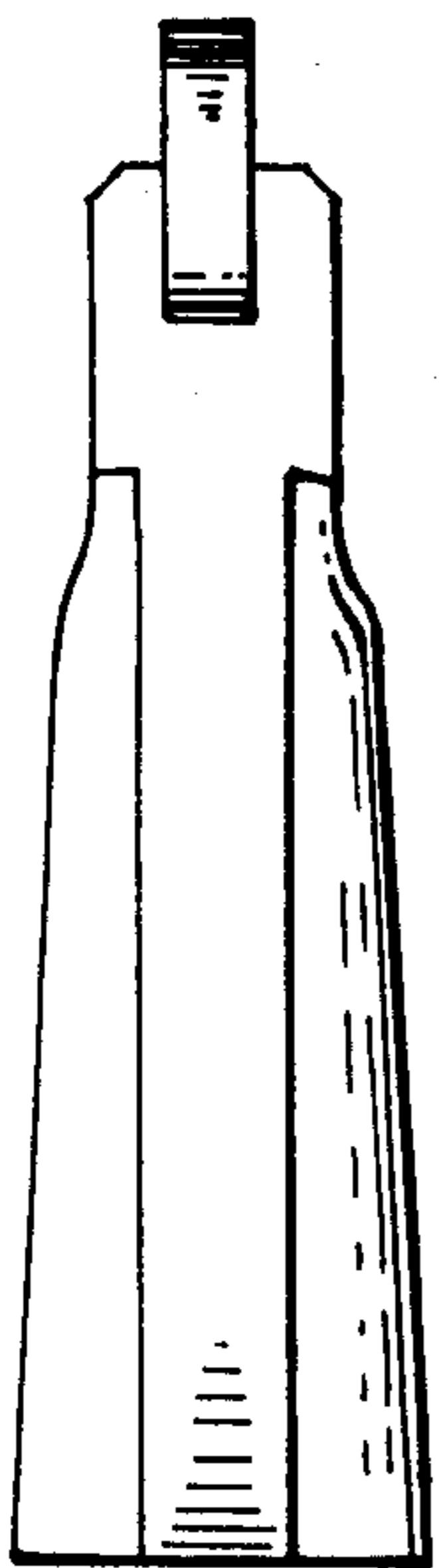


Fig. 5

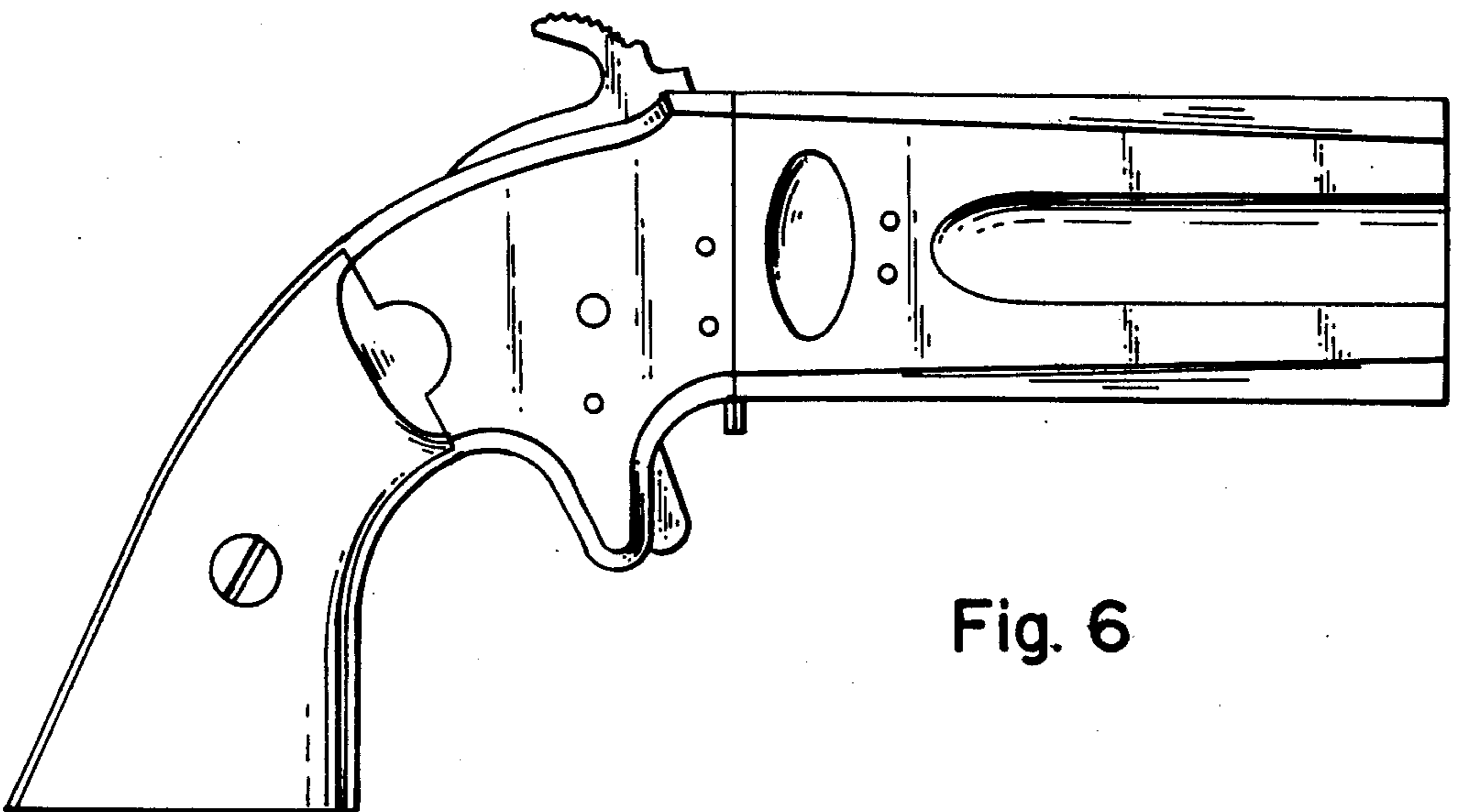


Fig. 6