

[54] LOUDSPEAKER CASE

[75] Inventor: Orville W. Larson, Elmhurst, Ill.

[73] Assignee: Pemcor, Inc., Westchester, Ill.

[\*\*] Term: 14 Years

[21] Appl. No.: 806,148

[22] Filed: Jun. 13, 1977

[51] Int. Cl. .... D14-01

[52] U.S. Cl. .... D14/33

[58] Field of Search ..... D14/33, 34; 181/150, 181/151, 198, 199; 179/115 R

[56] References Cited

U.S. PATENT DOCUMENTS

D. 230,994	3/1974	Iida	.....	D14/34
D. 237,804	11/1975	Kizawa	.....	D14/34
3,716,671	2/1973	Karr	.....	181/150

OTHER PUBLICATIONS

Lafayette Electronics Cat. No. 750, ©1974, p. 71, Speaker, item No. #3.

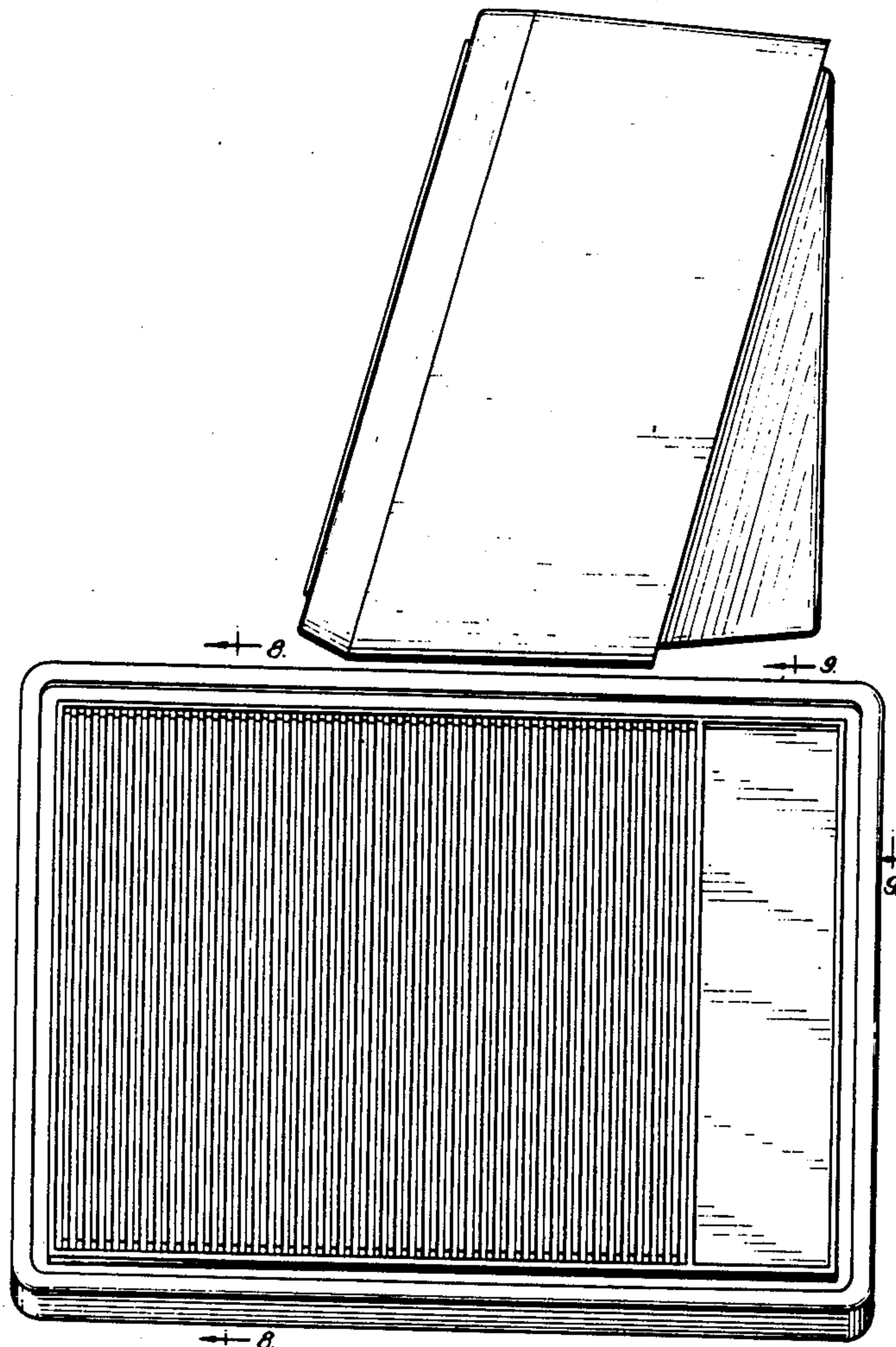
Primary Examiner—Bernard Ansher  
Attorney, Agent, or Firm—Howard H. Darbo

[57] CLAIM

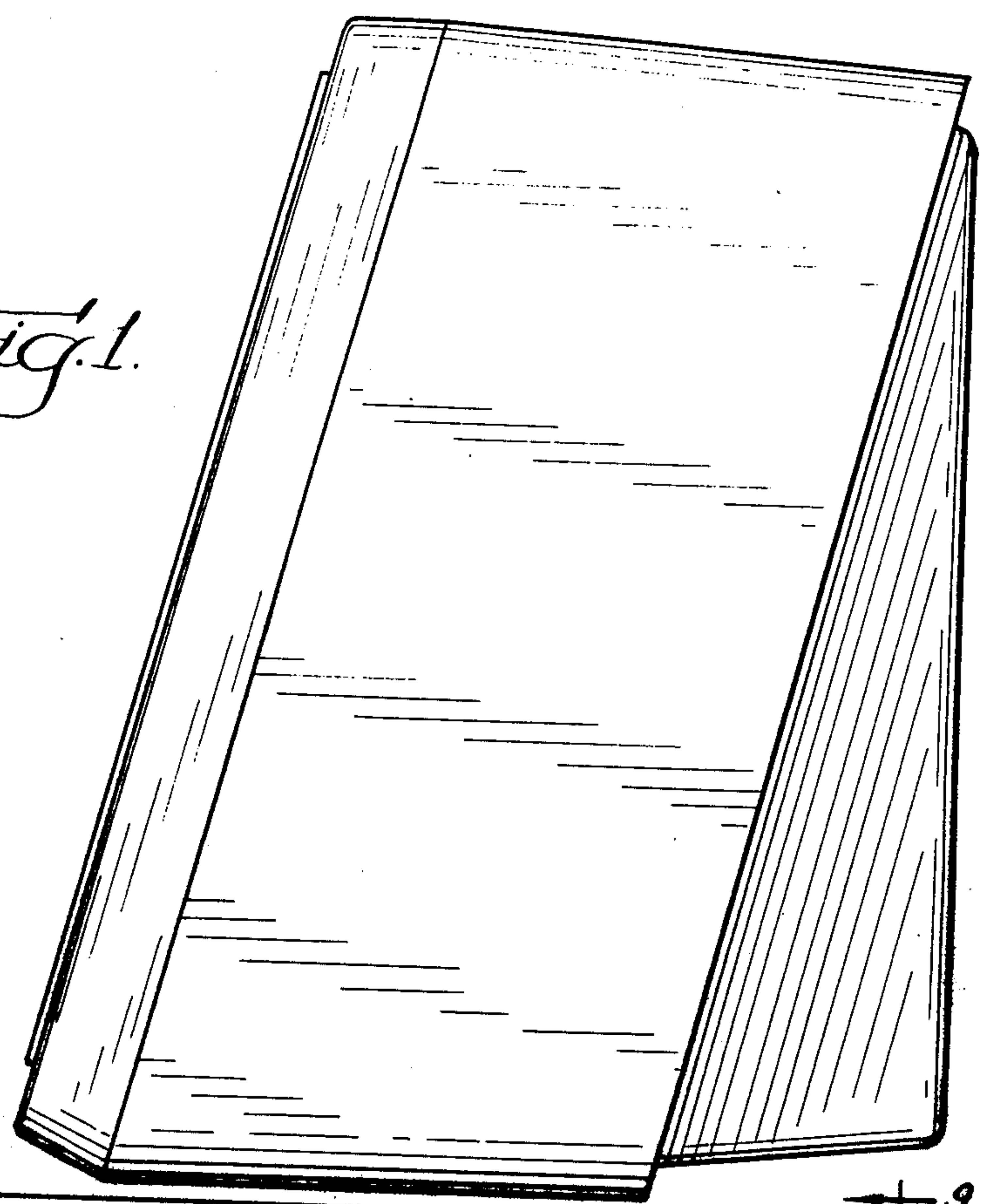
The ornamental design for a loudspeaker case, as shown and described.

DESCRIPTION

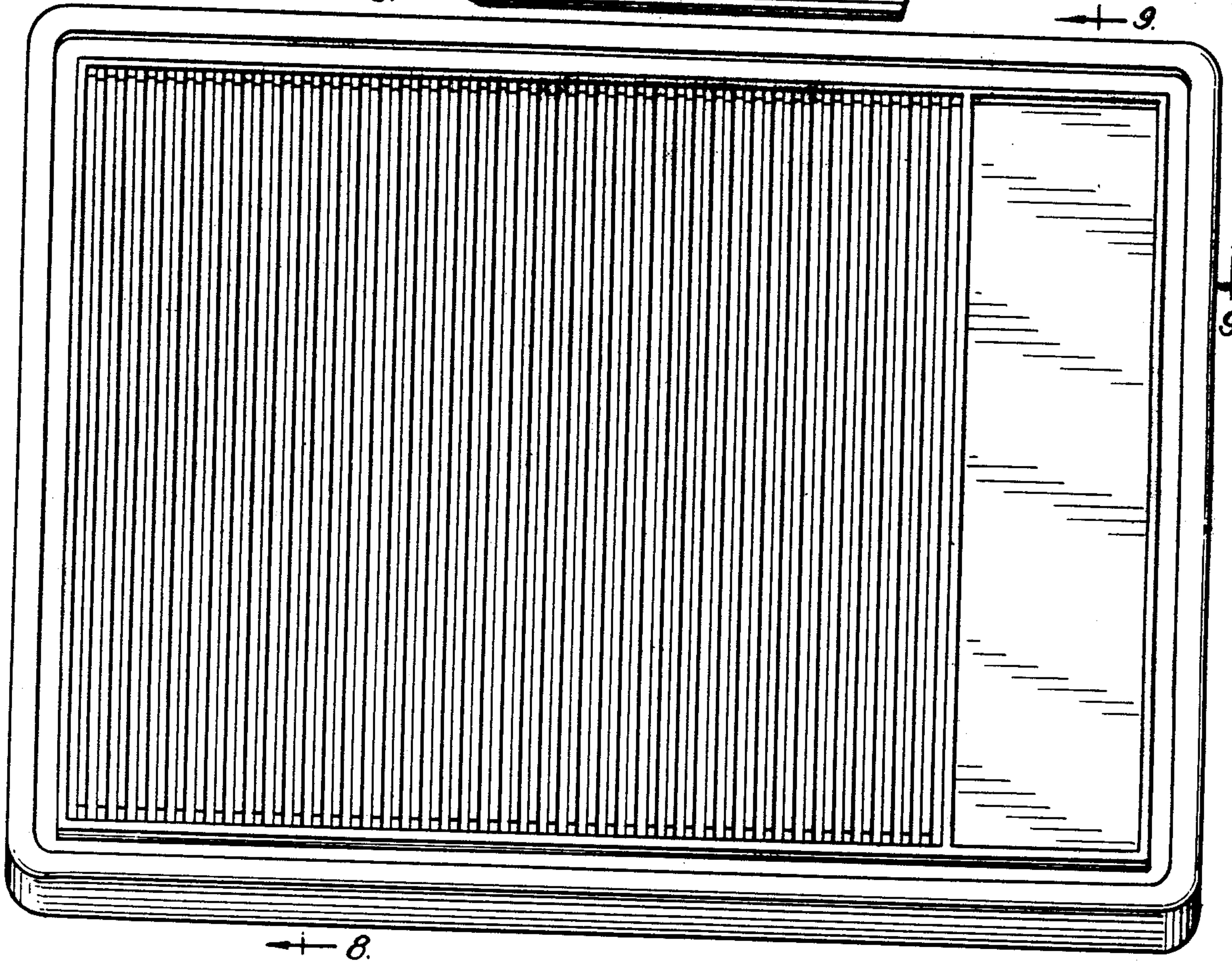
FIG. 1 is a side elevational view of the loudspeaker case showing my new design in upright position;  
 FIG. 2 is a front view thereof;  
 FIG. 3 is a top view thereof;  
 FIG. 4 is a rear view thereof;  
 FIG. 5 is a side elevational view of the loudspeaker case in low profile position;  
 FIG. 6 is a front view thereof;  
 FIG. 7 is a rear view thereof;  
 FIG. 8 is a cross-sectional view taken at the line 8—8 of FIG. 2;  
 FIG. 9 is an enlarged, fragmentary cross-sectional view taken at the line 9—9 of FIG. 2, and  
 FIG. 10 is an enlarged, fragmentary cross-sectional view taken at the line 10—10 of FIG. 5.



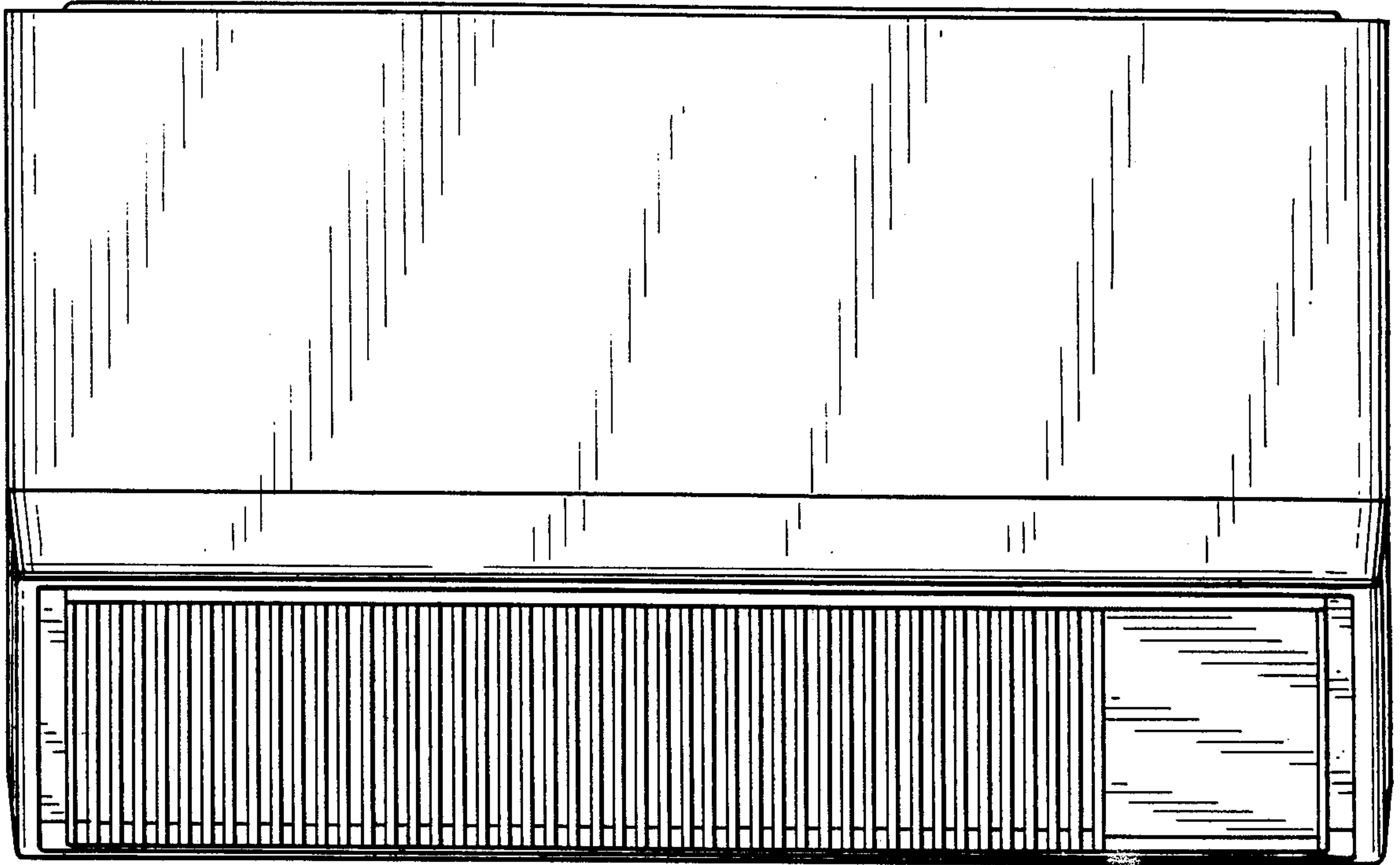
*Fig. 1.*



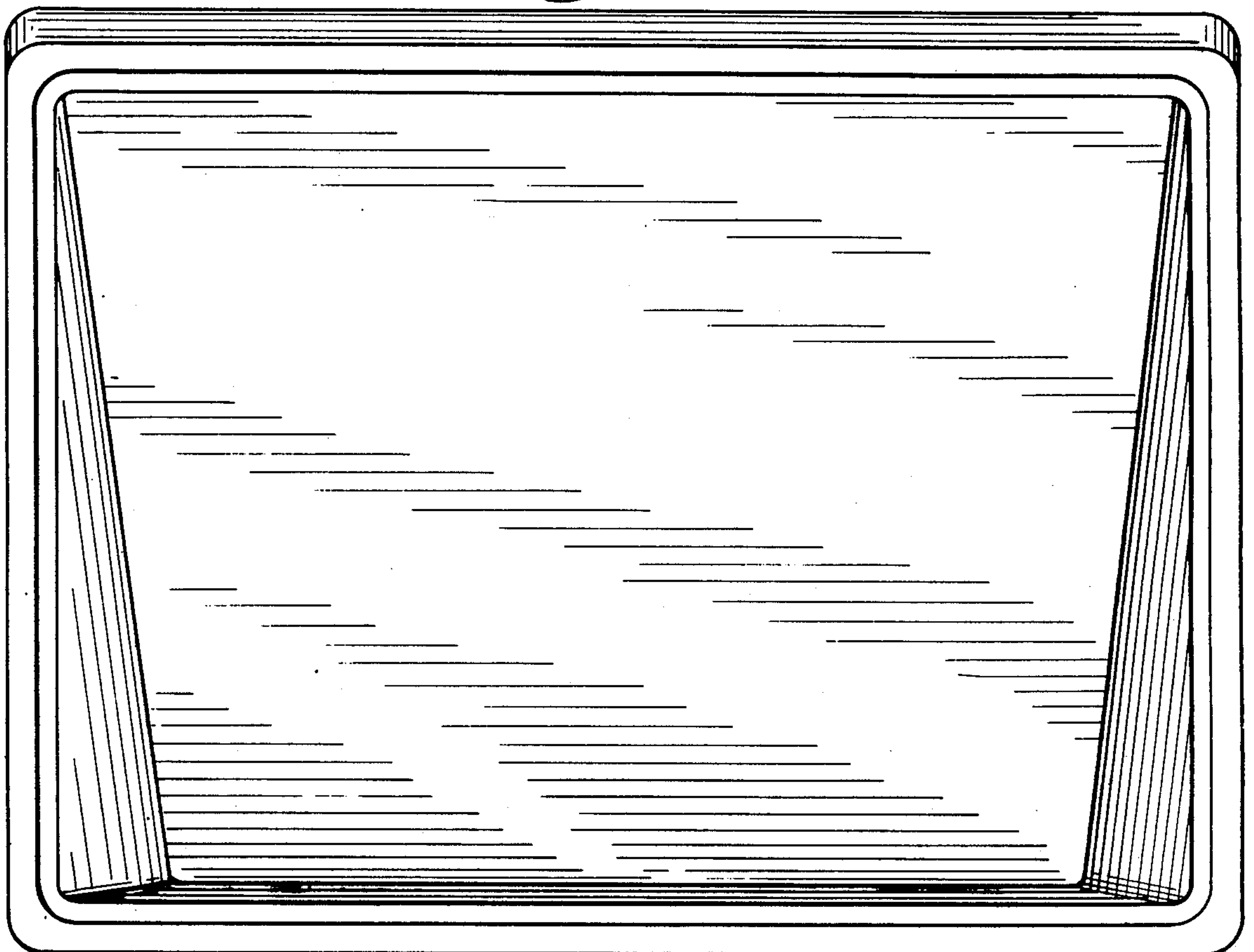
*Fig. 2.*



*Fig. 3.*

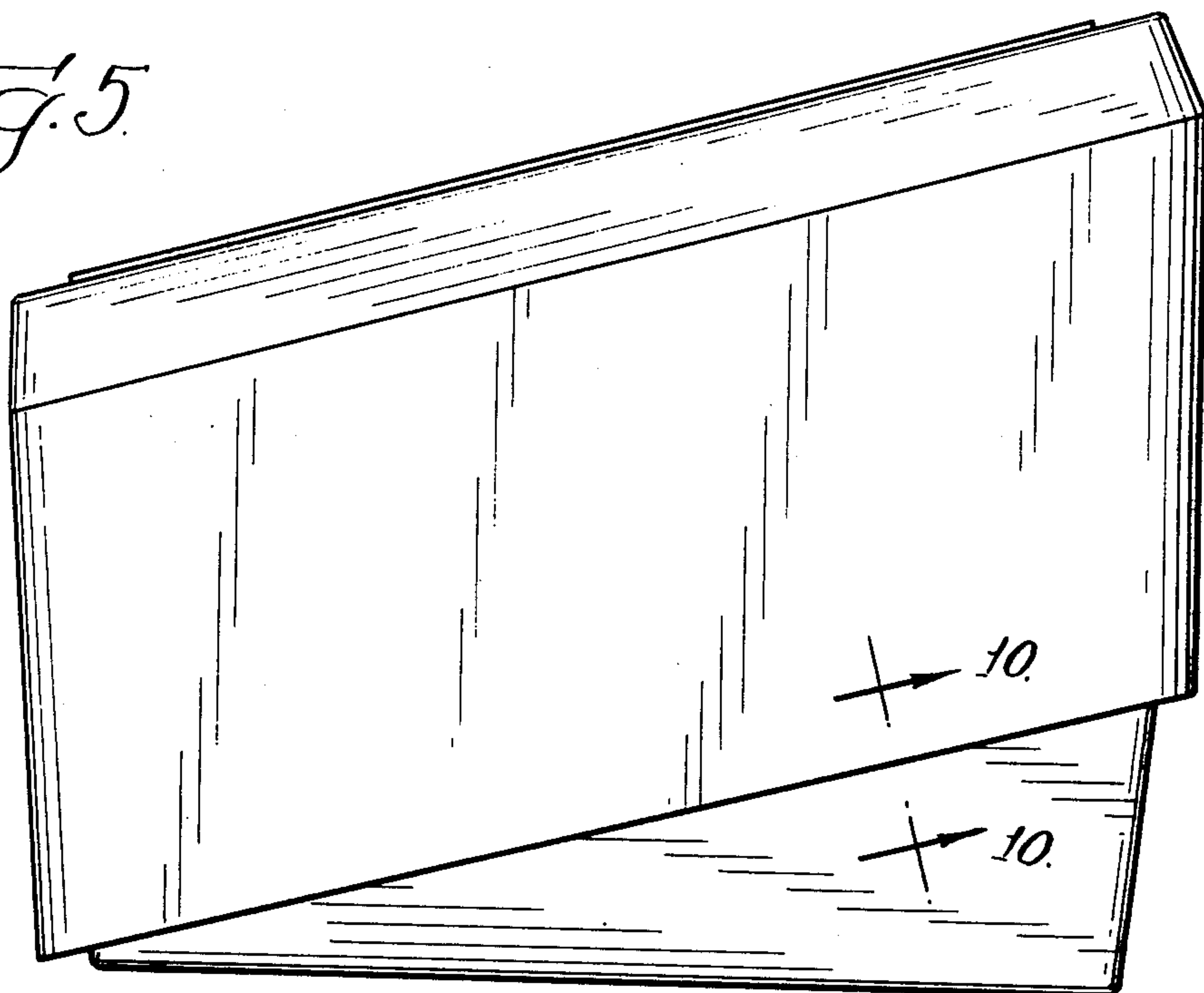


*Fig. 4.*

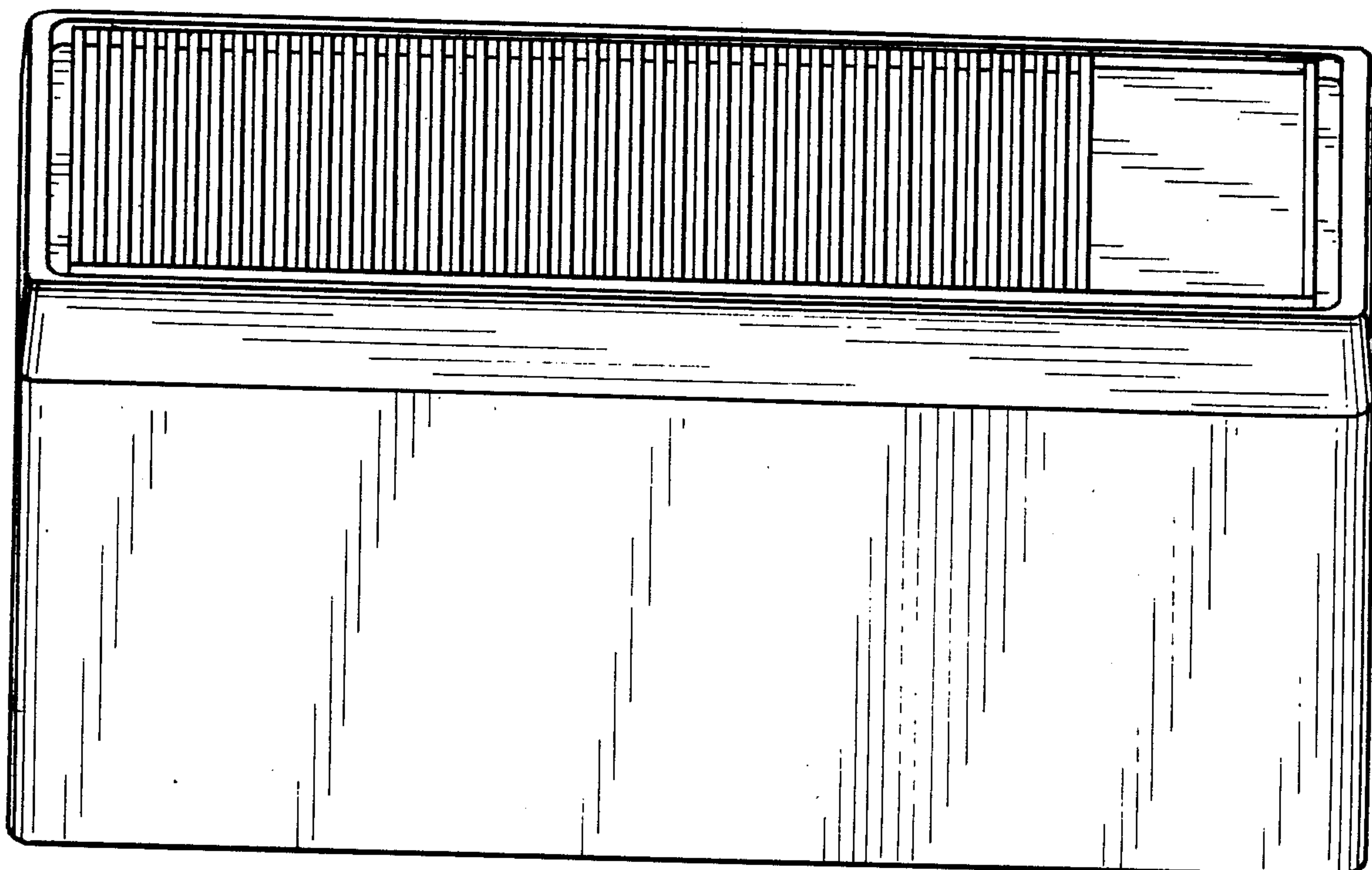




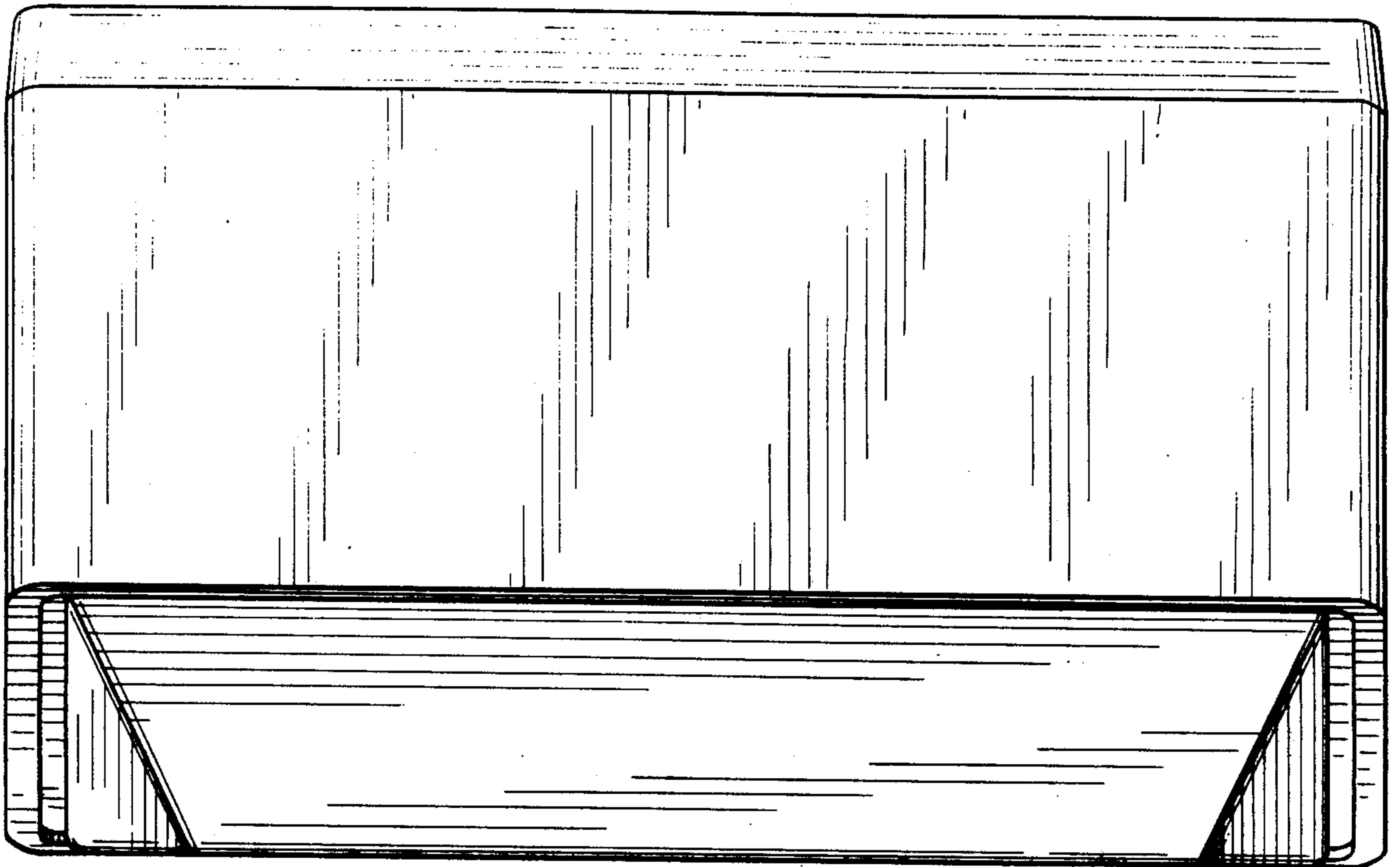
*Fig. 5*



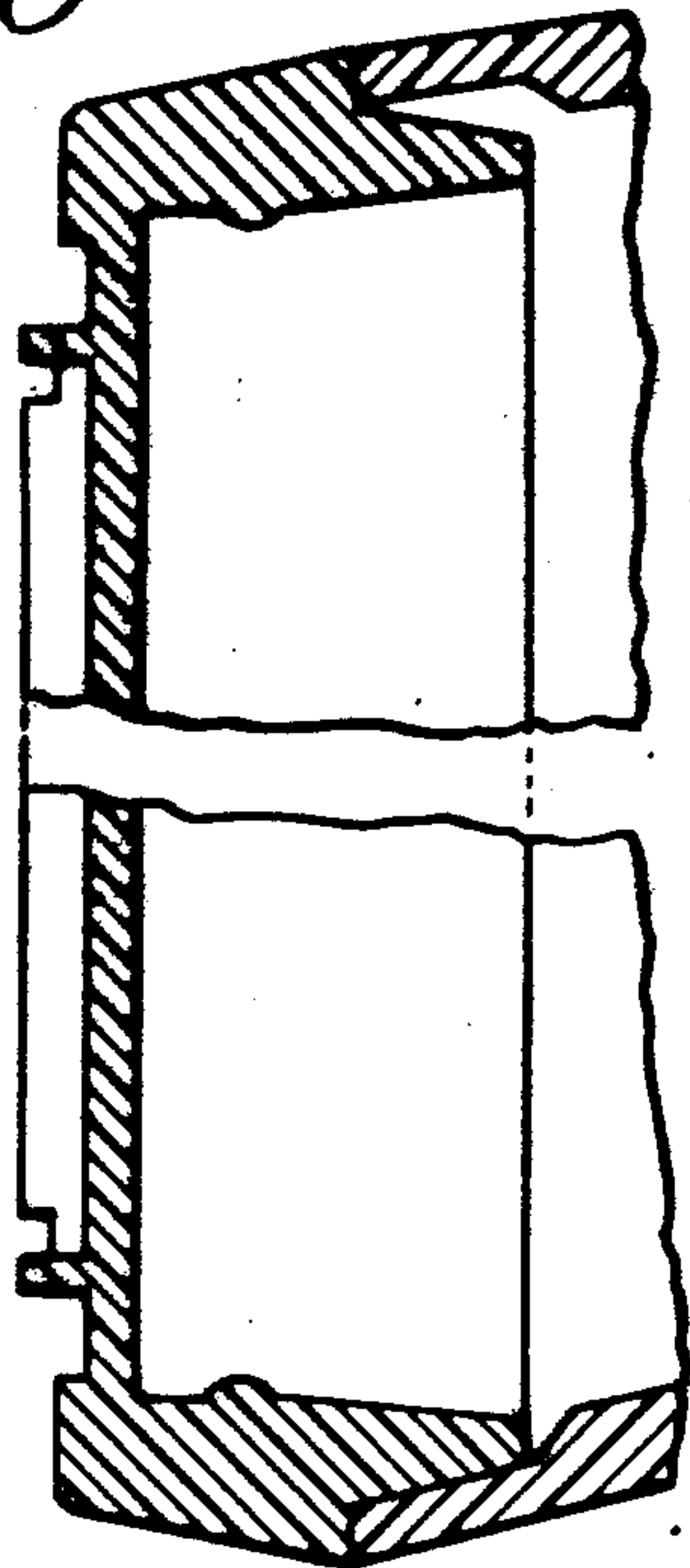
*Fig. 6*



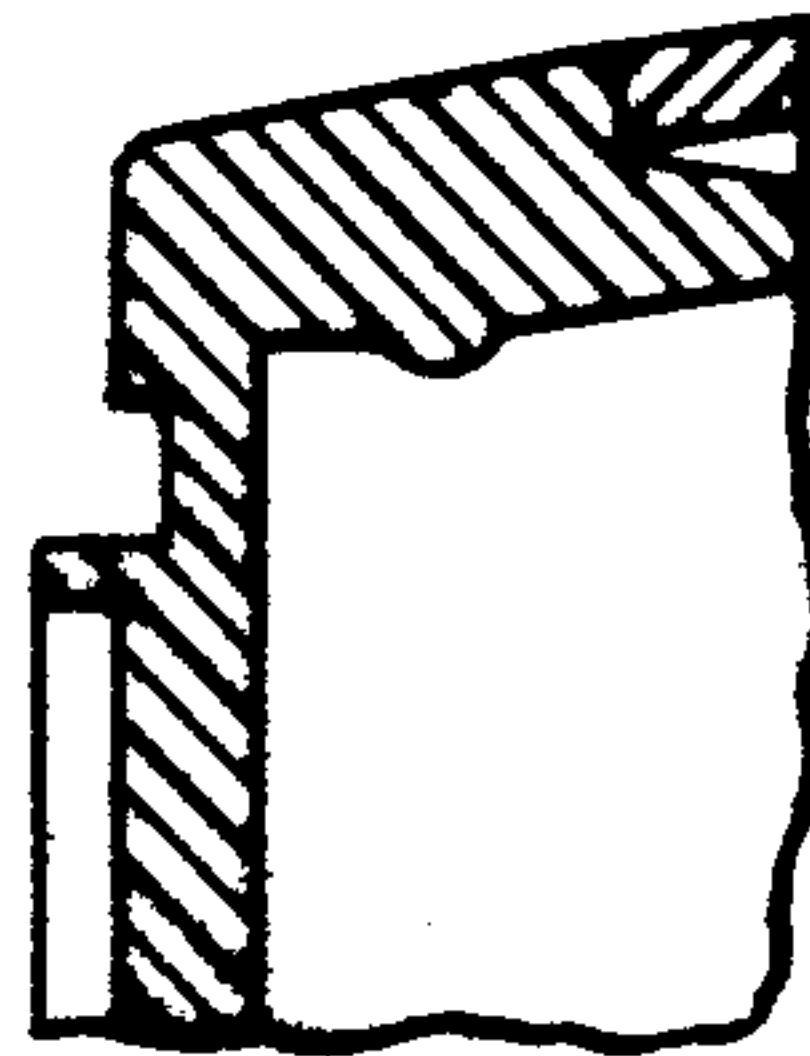
*Fig. 7*



*Fig. 8*



*Fig. 9*



*Fig. 10*

