

[54] ELECTRICAL CONNECTOR

[75] Inventors: Robert H. Frantz, Newville; John A. Zimmerman, Jr., Hershey, both of Pa.

[73] Assignee: AMP Incorporated, Harrisburg, Pa.

[**] Term: 14 Years

[21] Appl. No.: 887,706

[22] Filed: Mar. 17, 1978

[51] Int. Cl. D13-03

[52] U.S. Cl. D13/24

[58] Field of Search D13/12, 24, 30; 339/47, 339/49, 74, 91, 206, 207, 208, 210

[56] References Cited

U.S. PATENT DOCUMENTS

D. 195,171 5/1963 Keller D13/24
3,091,746 5/1963 Winkler 339/47 R

3,794,957 2/1974 Winkler 339/49 R

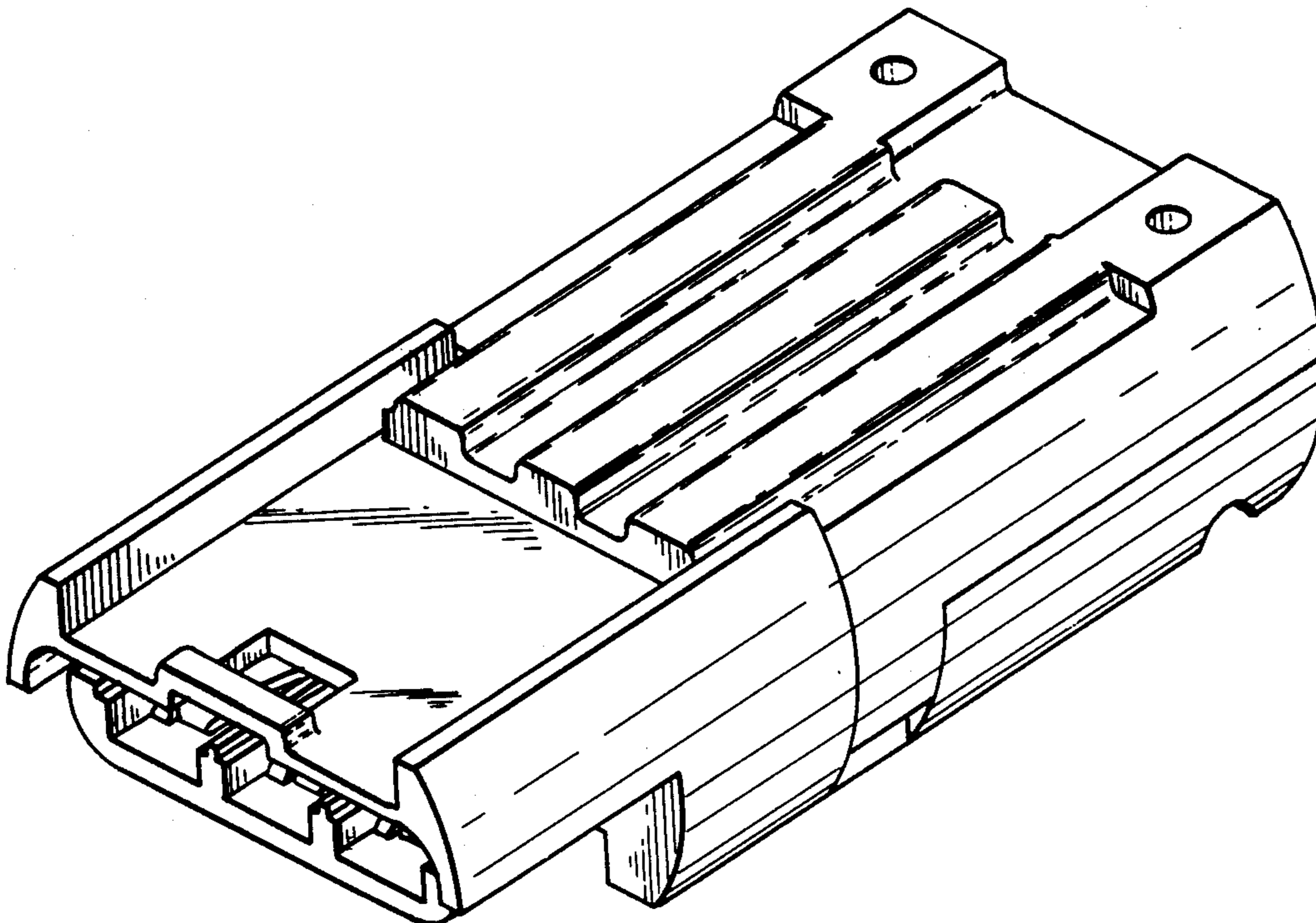
Primary Examiner—Susan J. Lucas
Attorney, Agent, or Firm—William J. Keating

[57] CLAIM

The ornamental design for an electrical connector, as shown and described.

DESCRIPTION

FIG. 1 is a perspective view of an electrical connector showing our new design;
FIG. 2 is a mating front end view of the subject connector on an enlarged scale;
FIG. 3 is a conductor rear end view of the subject connector on an enlarged scale;
FIG. 4 is a top plan view of the subject connector on an enlarged scale;
FIG. 5 is a side elevation of the subject connector on an enlarged scale; and
FIG. 6 is a bottom plan view of the subject connector on an enlarged scale.



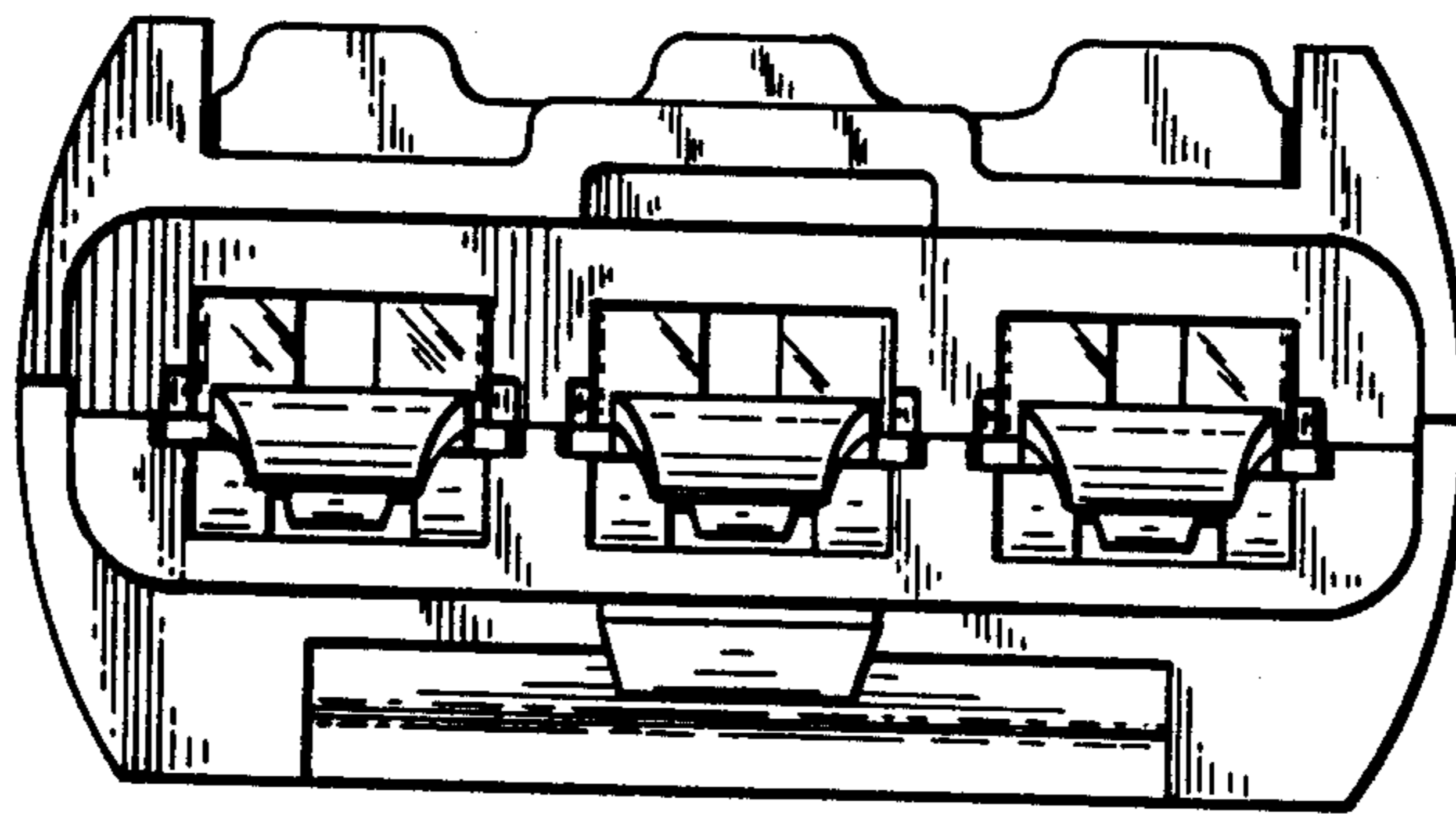
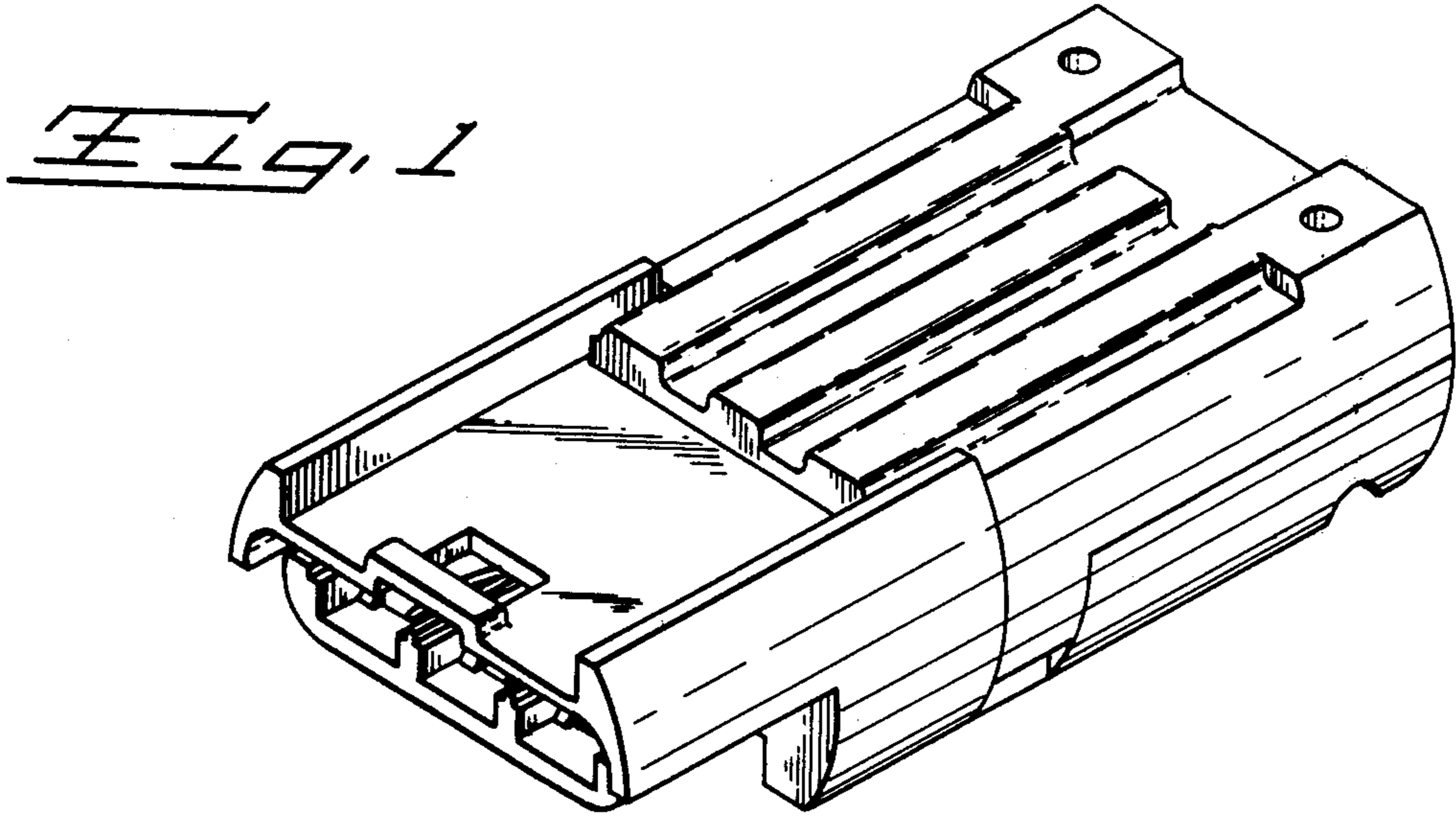


FIG. 2

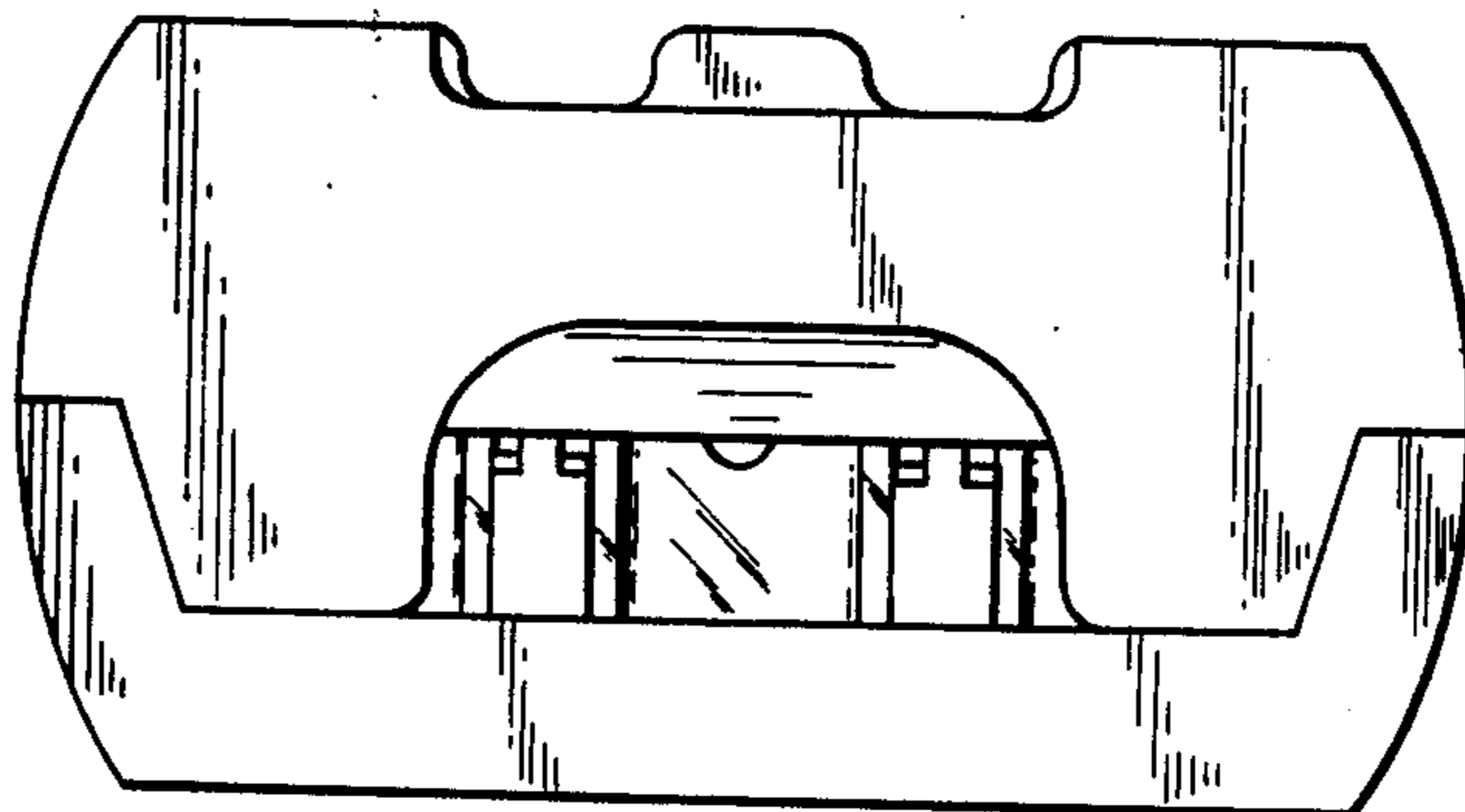
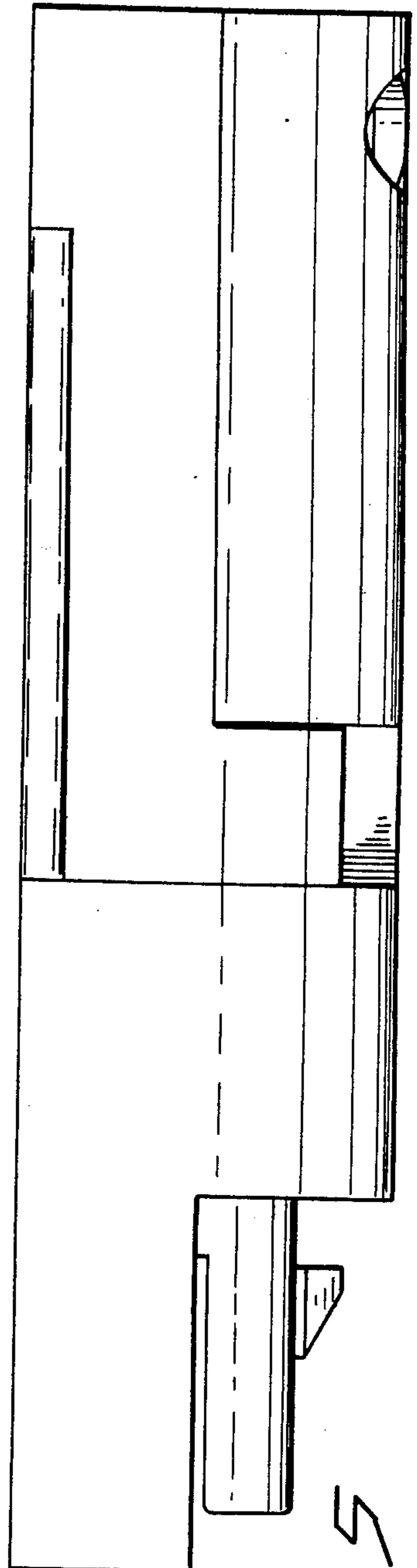
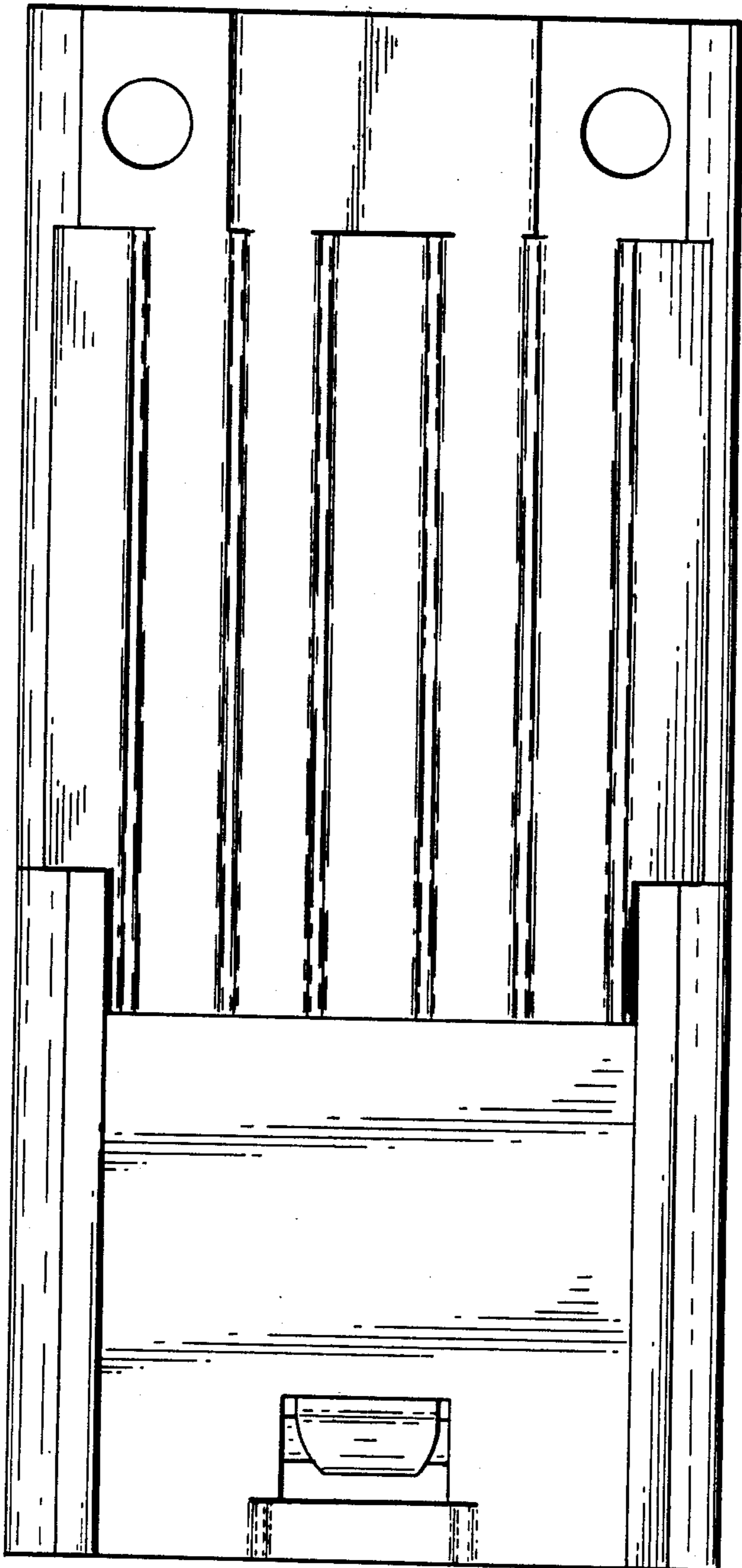


FIG. 3



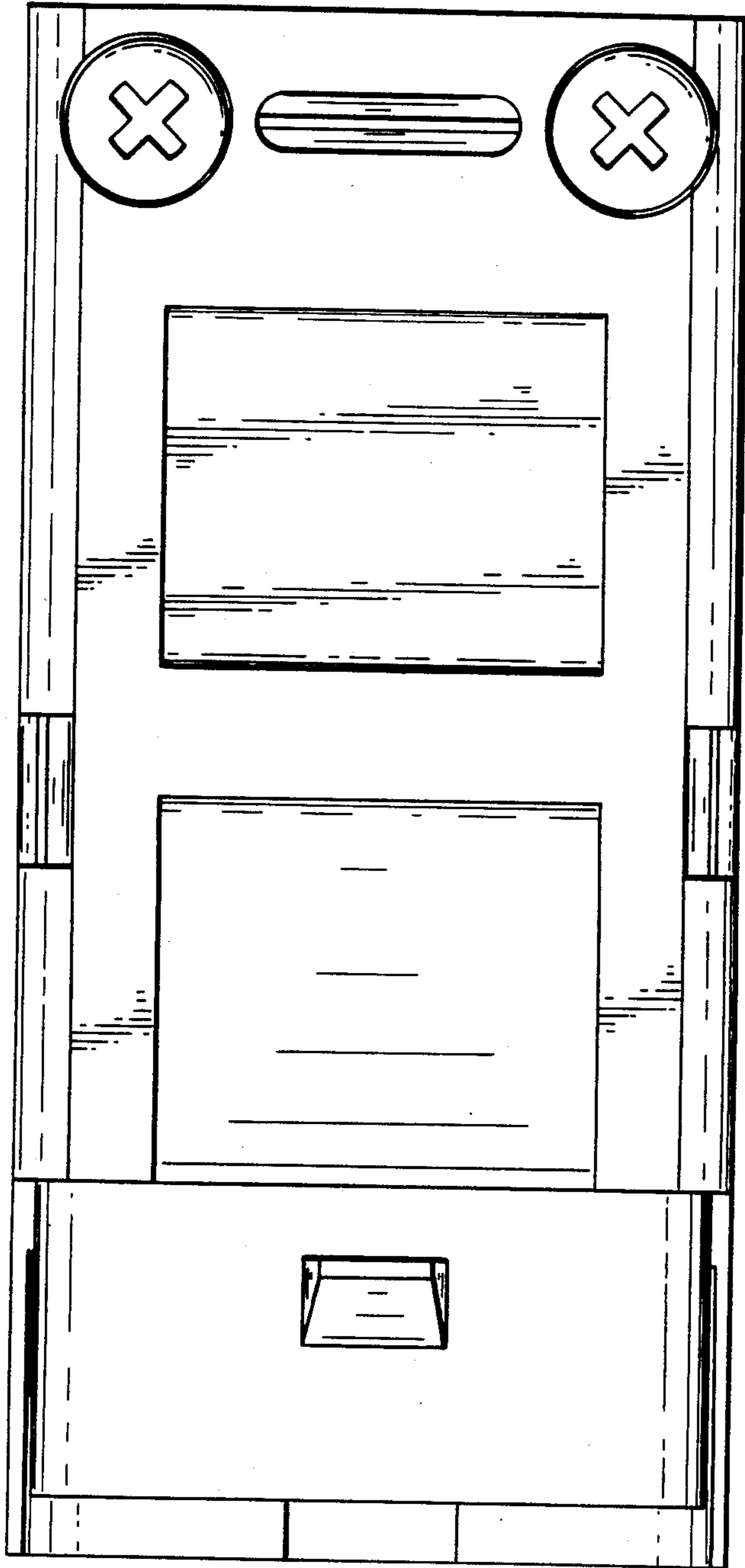


FIG. 6