

[54] ELECTRIC BATTERY

[75] Inventor: Gordon E. Kaye, Garrison, N.Y.

[73] Assignee: P. R. Mallory & Co. Inc., Indianapolis, Ind.

[**] Term: 14 Years

[21] Appl. No.: 772,609

[22] Filed: Feb. 28, 1977

[51] Int. Cl. D13-02

[52] U.S. Cl. D13/8

[58] Field of Search D13/8, 9, 10, 5, 40, D13/41, 99; 429/125, 133, 163, 164, 175, 176, 178

[56] References Cited

U.S. PATENT DOCUMENTS

D. 35,071	9/1901	Hammann	D13/99
D. 131,149	1/1942	Sears	D13/9
827,968	8/1906	Gardiner	429/163

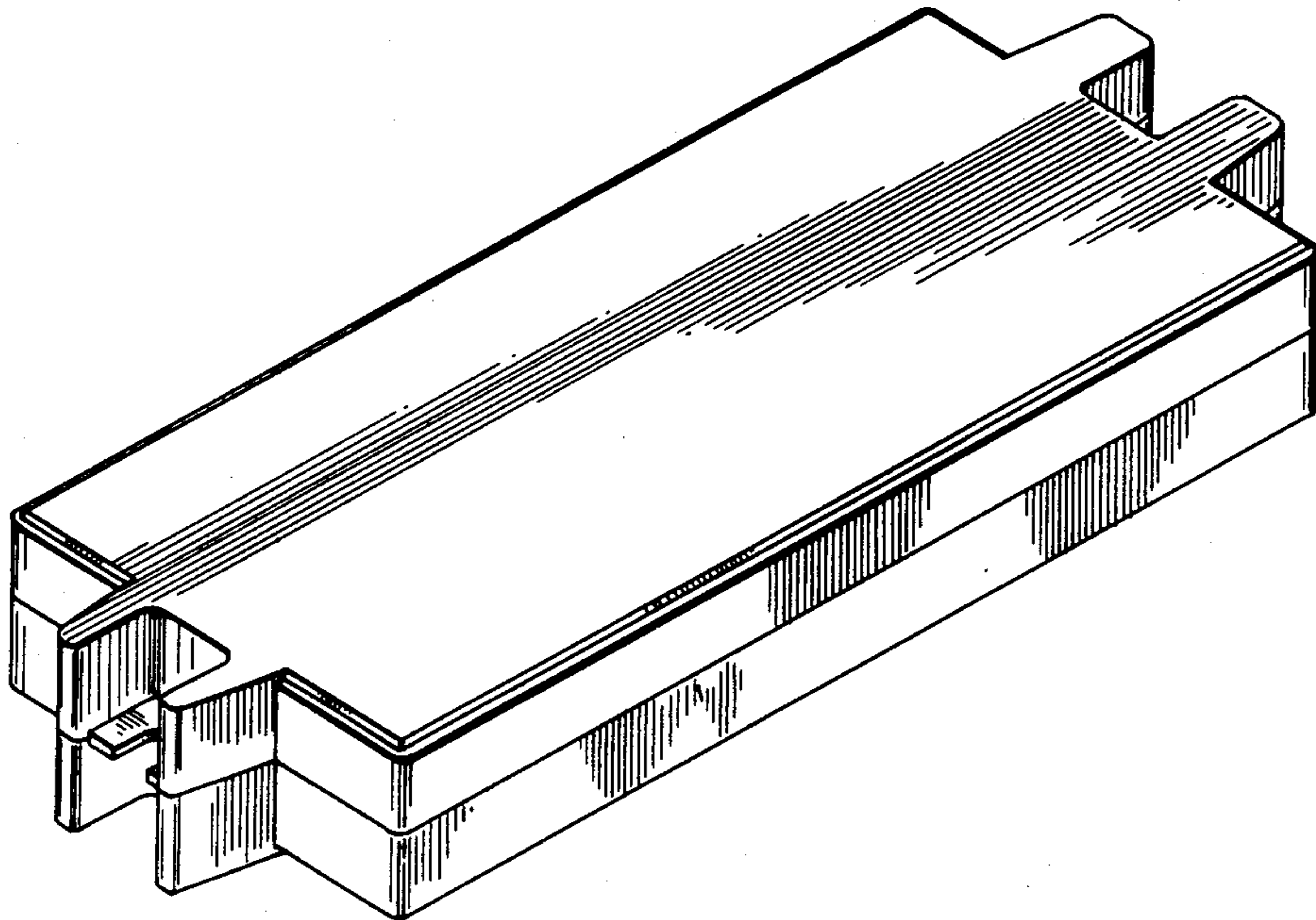
Primary Examiner—Susan J. Lucas
Attorney, Agent, or Firm—Ronald S. Cornell

[57] CLAIM

The ornamental design for an electric battery, substantially as shown and described.

DESCRIPTION

FIG. 1 is a perspective view of an electric battery showing my new design;
FIG. 2 is a side elevational view thereof;
FIG. 3 is a top view thereof;
FIG. 4 is an opposite side elevational view thereof;
FIG. 5 is a bottom view thereof;
FIG. 6 is an end elevation view thereof;
FIG. 7 is an opposite end elevational view thereof.



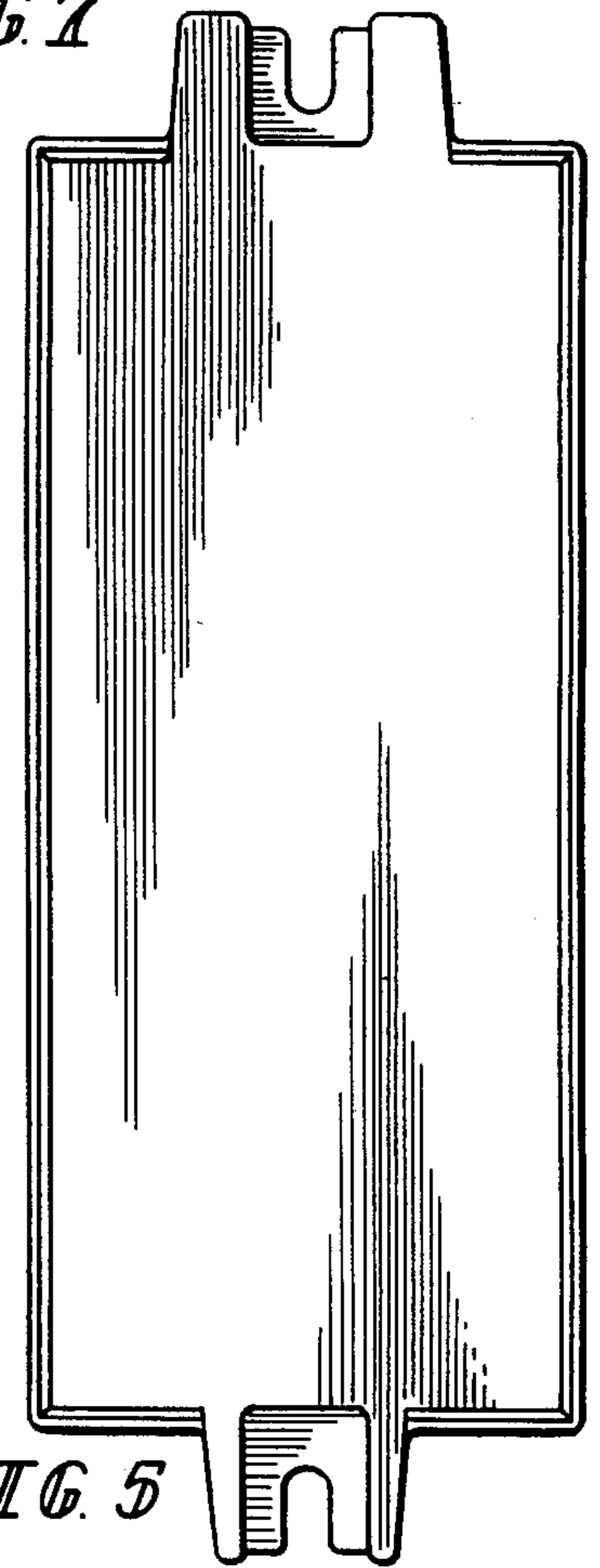
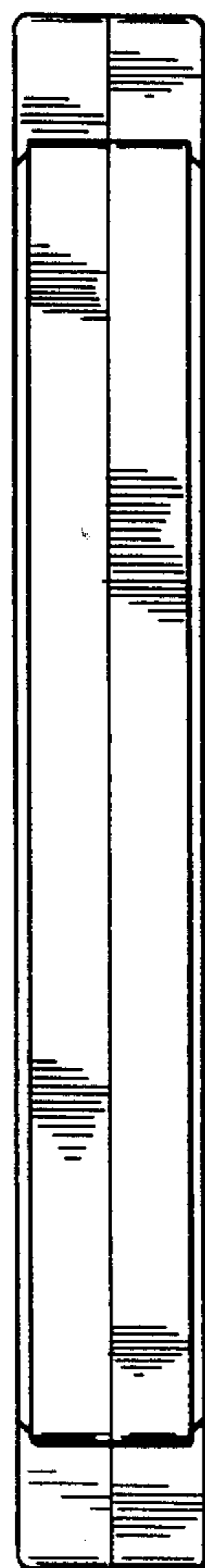
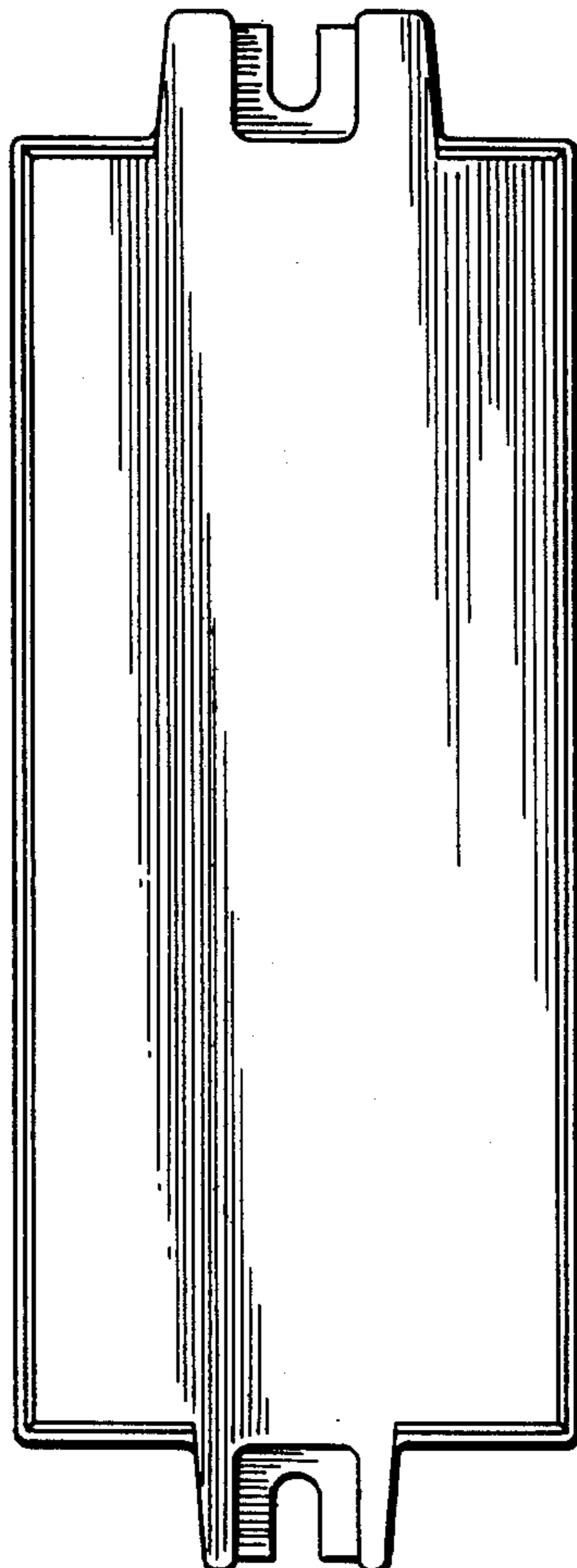
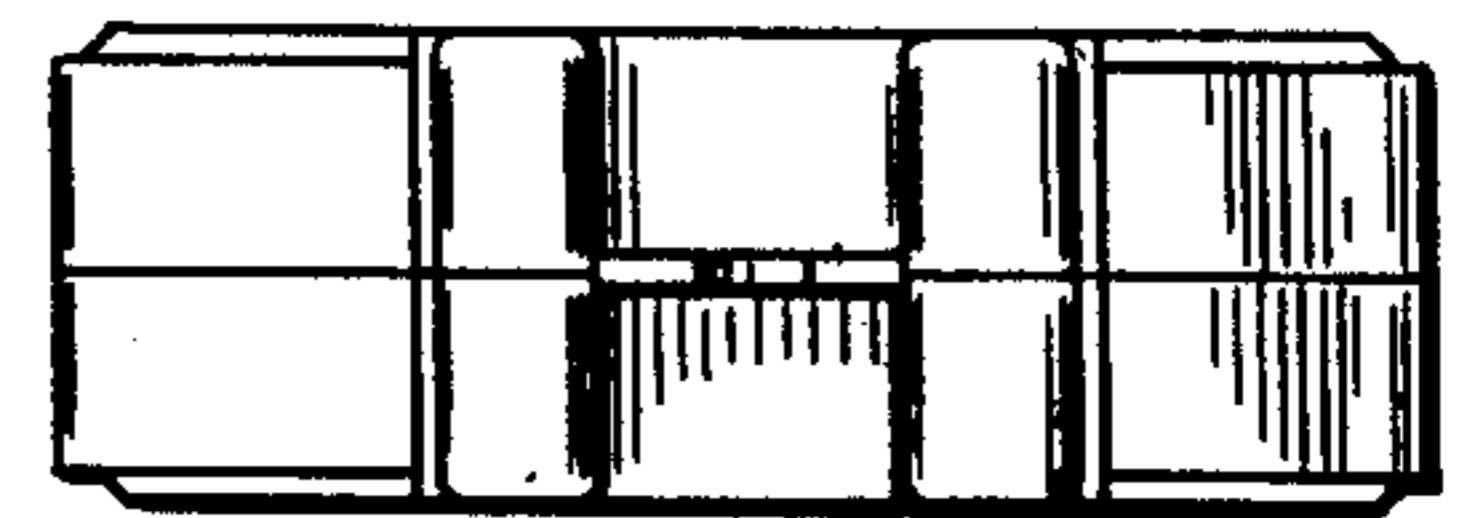
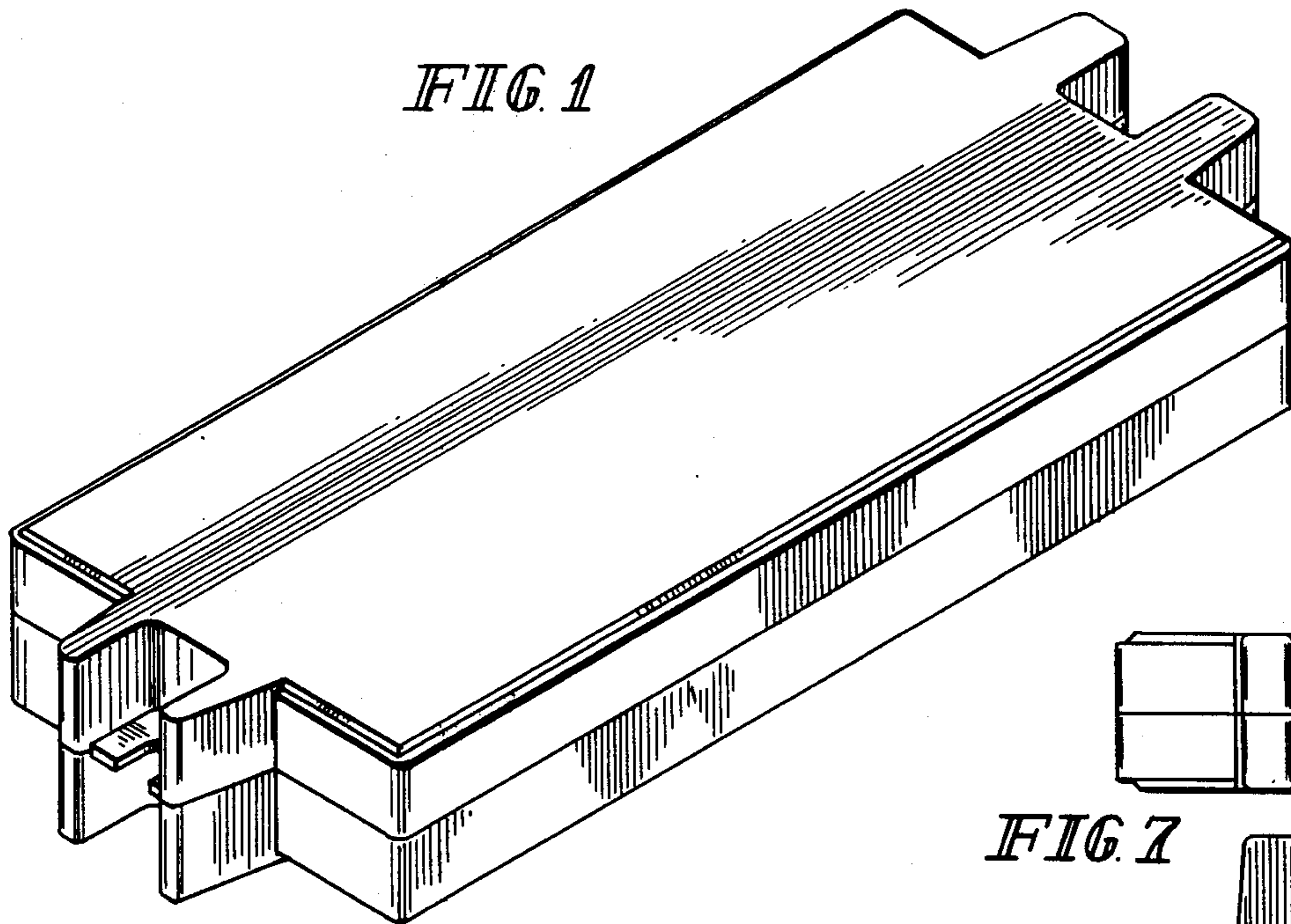


FIG. 2

FIG. 3

FIG. 4

FIG. 6